



US00D956757S

(12) **United States Design Patent**
Goh et al.

(10) **Patent No.:** **US D956,757 S**

(45) **Date of Patent:** **** Jul. 5, 2022**

(54) **CORDLESS HAND SCANNER**

(71) Applicant: **SOCKET MOBILE, INC.**, Newark, CA (US)
(72) Inventors: **Puay Hian Goh**, Singapore (SG); **James William Rebello**, Livermore, CA (US); **Vanessa Esther Lindsay**, San Francisco, CA (US); **Kevin J. Mills**, Palo Alto, CA (US)

(73) Assignee: **Socket Mobile, Inc.**, Newark, CA (US)

(**) Term: **15 Years**

(21) Appl. No.: **29/766,195**

(22) Filed: **Jan. 14, 2021**

(51) **LOC (13) Cl.** **14-02**

(52) **U.S. Cl.**

USPC **D14/426**

(58) **Field of Classification Search**

USPC D14/420, 426-430, 453, 346, 341, 347, D14/412, 138; D13/107, 184; 358/473; 235/462.43, 462.45, 462.47, 462.48, 235/462.44, 462.46, 487, 472.01, 472.02, 235/145 A, 145 R; D10/78, 57, 2, 46, 52, D10/53, 81; 324/426; D3/273; 710/73; D18/7; 361/679, 628, 679.56, 683; 382/313, 321, 314; 455/575.1, 561, 572, 455/41.2; 345/156, 168, 169, 172, 173, 345/87, 179, 183; 705/17, 18, 22-25; D16/206, 218, 202, 219, 208, 209; 356/328; 396/419, 423, 424; 374/130, 374/100, 121, 102, 141, 124, 170, 104, 374/103; 702/130, 135; 348/164, 165, 348/149, 333.01, 333.11, E5.043, E5.047, 348/E5.09, 33, 82, E5.028, 347, 373, 374, 348/375, 66; 205/330, 351, 353, 332, 205/334, 358.1, 316.1, 338.1, 568; 600/549, 474, 413, 473, 200, 184, 437,

(Continued)

(56) **References Cited**

U.S. PATENT DOCUMENTS

D303,706 S * 9/1989 King D24/142
D319,436 S * 8/1991 Matsushita D14/428

(Continued)

Primary Examiner — Susan Moon Lee

(74) *Attorney, Agent, or Firm* — PatentVentures; Bennett Smith

(57) **CLAIM**

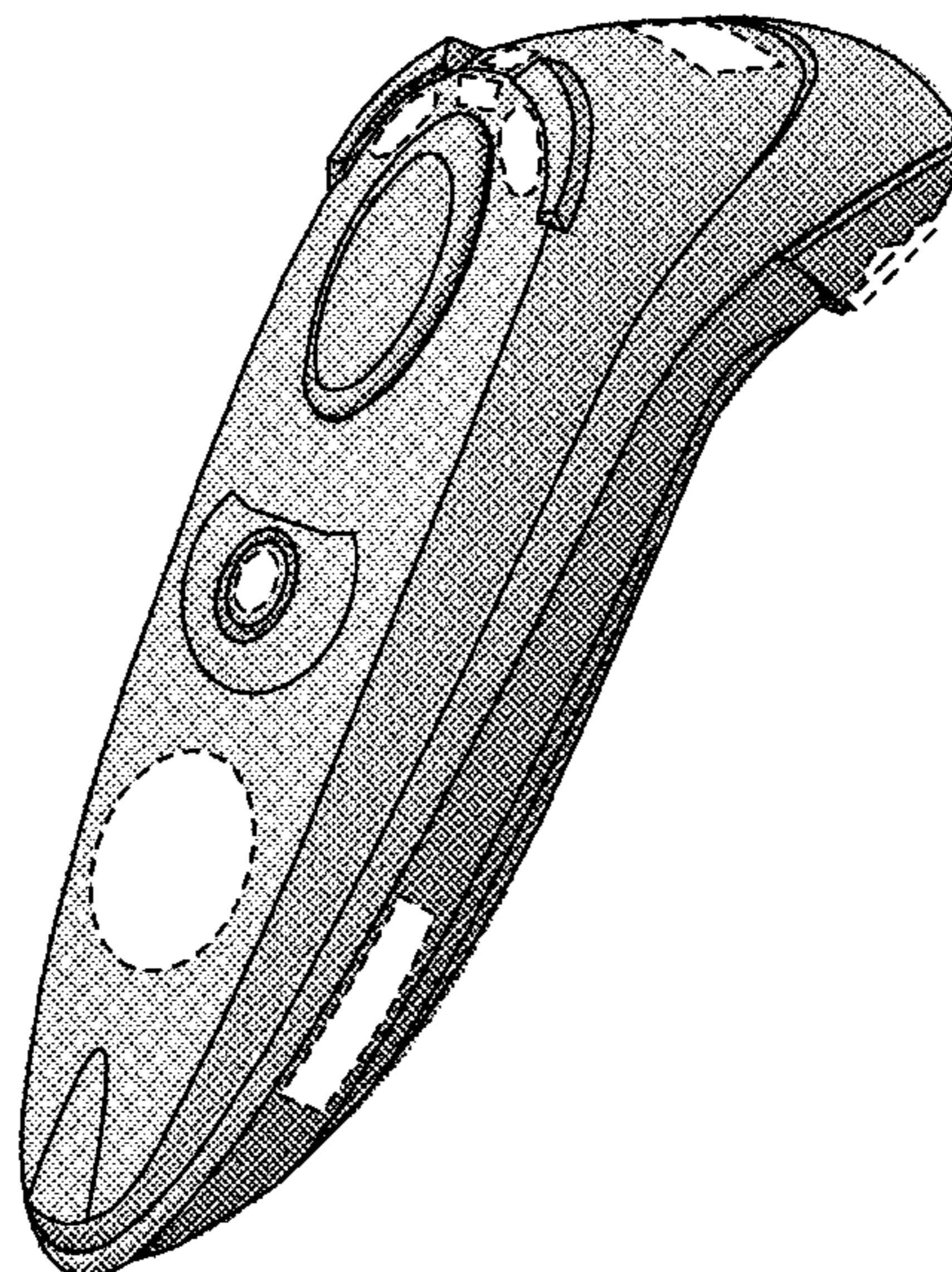
The ornamental design for a cordless hand scanner, as shown and described.

DESCRIPTION

FIG. 1 is a perspective view of a cordless hand scanner, showing a first embodiment of our new design; FIG. 2 is a first end view thereof; FIG. 3 is an opposite end view thereof; FIG. 4 is a side view of the cordless hand scanner first embodiment, the other side being a mirror image; FIG. 5 is a top view thereof; FIG. 6 is a bottom view thereof; FIG. 7 is a perspective view of a cordless hand scanner, showing a second embodiment of our new design; FIG. 8 is a first end view thereof; FIG. 9 is an opposite end view thereof; FIG. 10 is a side view of the cordless hand scanner second embodiment, the other side being a mirror image; FIG. 11 is a top view thereof; and, FIG. 12 is a bottom view thereof.

Broken lines and unshaded portions contained within broken lines depict portions of the cordless hand scanner that form no part of the claimed design. Perspective views are not drawn to scale. No pattern, texture, or color are claimed in association with either stippling or linear shading figurative effects.

1 Claim, 10 Drawing Sheets



(58) **Field of Classification Search**

USPC 600/427, 439, 109, 178, 180, 237, 241;
 D24/186, 185, 187, 152, 158, 133, 144,
 D24/146, 107, 112, 206, 200, 209, 215,
 D24/167, 214, 210; D21/333; D28/44,
 D28/48; D8/99; 359/214; 16/110.1,
 16/430, 431; 439/133, 135; 433/29, 37,
 433/72, 114, 116; 709/219, 201;
 320/114, 115, 123
 CPC G06F 1/626; G06F 1/1626; G06F 1/1656;
 G06F 1/1632; G06F 1/1684; G06F
 1/1635; G06F 8/63; G06F 17/30091;
 G06F 9/4401; G06F 3/03545; G06K
 7/10881; G06K 7/1098; G06K 7/10722;
 G06K 7/1404; G06K 7/0004; G06K
 7/10633; G06K 7/10851; G06K 7/1092;
 G06K 7/1093; G06K 7/10; G06K 7/109;
 G06K 7/1417; G06K 9/228; G06K
 17/0022; G06K 17/00; G06K 2207/1011;
 G06K 2207/1013; G06K 2207/1016;
 G06K 2207/1018; G06K 2017/0051;
 G06K 2017/0067; G06K 2007/10524;
 G07G 1/0081; G07G 1/009; G06Q 20/20;
 G06Q 20/201; G06Q 20/202; G06Q
 20/203; G06Q 20/30; G06Q 20/32; G06Q
 20/322; G06Q 20/4014; G06Q 10/087;
 H04N 1/00127; H04N 1/00135; H04N
 1/00326; H04N 1/00334; H04N 1/00307;
 H04N 1/107; H04N 2201/0084; H04N
 2101/00; H04N 5/332; H04N 5/33; H04N
 5/2251; H04N 5/2258; H04N 5/2256;
 H04N 5/23293; H04N 5/23203; H04N
 5/2242; H04N 5/2252; H04N 5/2253;
 H04N 5/23229; H04N 5/3651; H04M
 1/0249; H04M 1/0262; H04M 1/0266;
 H04M 1/18; H04M 1/23; H04M 1/236;
 H04B 1/3827; H04B 1/3833; H04B
 1/3877; H04B 1/3883; H04B 1/3888;
 H04B 2001/3894; H01M 2/1066; G01J
 5/025; G01J 5/0265; G01J 5/026; G01J
 5/027; G01J 5/02; G01J 5/06; G01J 5/08;
 G01J 5/04; G01J 5/12; G01J 5/00; G01J
 5/18; G01J 5/0834; G01J 5/522; G01J
 5/0806; G01J 5/028; G01J 2005/007;
 G01J 2005/0081; G02B 7/08; G02B 7/04;
 G01K 1/02; G01K 3/04; G03B 17/18;
 G03B 3/02; G03B 3/04; G03B 3/10;
 H02J 7/0044; A61B 8/44; A61B 8/46;
 A61B 8/4427; A61B 8/4433; A61B
 8/4438; A61B 8/4444; A61B 8/56; A61B
 8/4461; A61B 8/4455; A61B 8/4472;
 A61B 5/00; A61B 5/0013; A61B 5/0017;
 A61B 5/0033; A61B 5/004; A61B
 5/0062; A61B 5/0064; A61B 5/0068;
 A61B 5/066; A61B 5/0086

See application file for complete search history.

(56) **References Cited**

U.S. PATENT DOCUMENTS

D320,981 S * 10/1991 Conversano D14/431
 D323,034 S * 1/1992 Reinstein D24/214
 D340,042 S * 10/1993 Copper D14/388
 5,256,866 A * 10/1993 Conversano G06K 7/10881
 235/462.49
 D343,801 S * 2/1994 Burns D10/78

D350,736 S * 9/1994 Takahashi D14/417
 D358,654 S * 5/1995 Smith D24/200
 D368,901 S * 4/1996 Currid D14/417
 D375,729 S * 11/1996 Aeschbacher D14/407
 D378,939 S * 4/1997 Smith D24/112
 D389,915 S * 1/1998 Emerson D24/144
 D400,258 S * 10/1998 Bolleter D24/210
 D406,126 S * 2/1999 Massieu D14/428
 D414,897 S * 10/1999 Prochaska D28/48
 D415,316 S * 10/1999 Prochaska D28/48
 D416,647 S * 11/1999 Wonderley D28/48
 D417,034 S * 11/1999 Shurtleff D28/48
 6,001,070 A * 12/1999 Gebhard A61F 7/007
 601/16
 D425,997 S * 5/2000 Jakubow D24/215
 D432,932 S * 10/2000 Evans D10/78
 D448,878 S * 10/2001 Dalton D26/49
 6,312,397 B1 * 11/2001 Gebhard A61F 7/007
 601/15
 D451,358 S * 12/2001 Griese D8/107
 D454,413 S * 3/2002 Shepperson D28/48
 D457,265 S * 5/2002 Gebhard D28/9
 D458,161 S * 6/2002 Lie D10/57
 D460,074 S * 7/2002 Ponnert D14/426
 D464,172 S * 10/2002 Shepperson D28/48
 D473,942 S * 4/2003 Motoki D24/138
 D475,160 S * 5/2003 Bas D28/53
 D476,745 S * 7/2003 Gerth D24/200
 D484,264 S * 12/2003 Dalton D26/37
 D486,234 S * 2/2004 Chernyshev D24/200
 D490,525 S * 5/2004 Stein D24/167
 D490,528 S * 5/2004 Cook D24/200
 D495,833 S * 9/2004 McCambridge D28/53
 D499,212 S * 11/2004 Nielsen D28/54
 D506,260 S * 6/2005 Ryan D14/218
 D506,576 S * 6/2005 Chen D28/62
 D507,573 S * 7/2005 Wang D14/402
 D508,586 S * 8/2005 Shurtleff D32/49
 D509,301 S * 9/2005 Talbot D24/215
 D511,024 S * 10/2005 Dombrowski D28/48
 D513,335 S * 12/2005 Lee D26/37
 D518,482 S * 4/2006 Hodges D14/426
 D519,234 S * 4/2006 Lee D26/37
 D526,320 S * 8/2006 Brandon D14/426
 D528,530 S * 9/2006 Rose D14/248
 D529,016 S * 9/2006 Rose D14/248
 D530,031 S * 10/2006 Kung D26/37
 D531,632 S * 11/2006 Brandon D14/426
 D533,514 S * 12/2006 Hidalgo D13/168
 D535,397 S * 1/2007 Chen D24/146
 D535,993 S * 1/2007 Ueda D14/480.7
 D536,450 S * 2/2007 Ryan D24/144
 D537,204 S * 2/2007 Ramm D28/48
 D540,882 S * 4/2007 Crook D21/333
 D540,947 S * 4/2007 Jung D24/209
 D541,475 S * 4/2007 Psimadas D28/48
 D544,605 S * 6/2007 Gumisawa D24/186
 D550,365 S * 9/2007 Kitayama D24/186
 D551,660 S * 9/2007 Francz D14/218
 D553,248 S * 10/2007 Nguyen D24/186
 D554,183 S * 10/2007 Paulus D19/66
 D556,201 S * 11/2007 Ashida D21/333
 D556,760 S * 12/2007 Ashida D21/333
 D560,033 S * 1/2008 Rhoad D28/48
 D561,343 S * 2/2008 Liang D24/215
 D562,008 S * 2/2008 Liu D4/138
 D567,243 S * 4/2008 Ashida D21/333
 D569,378 S * 5/2008 Wanamaker D14/426
 D569,523 S * 5/2008 Hsieh D24/214
 D579,015 S * 10/2008 Ashida D21/333
 D582,604 S * 12/2008 Eddinger D28/53
 D582,605 S * 12/2008 Eddinger D28/53
 D588,696 S * 3/2009 Mantle D24/144
 D594,065 S * 6/2009 Oikawa D21/333
 D594,066 S * 6/2009 Oikawa D21/333
 D594,067 S * 6/2009 Oikawa D21/333
 D594,130 S * 6/2009 Scocimara D24/209
 D596,748 S * 7/2009 Oberreiter D24/210
 D600,697 S * 9/2009 Swiader D14/405

(56)

References Cited

U.S. PATENT DOCUMENTS

D604,457	S *	11/2009	Psimadas	D28/48	D773,823	S *	12/2016	Wong	D4/127
D604,905	S *	11/2009	Psimadas	D28/48	D775,729	S *	1/2017	Mujwid	D24/146
D604,906	S *	11/2009	Stowers	D28/48	D776,874	S *	1/2017	Kling	D24/209
D609,361	S *	2/2010	McGarry	D24/209	D777,321	S *	1/2017	Nakagami	D24/112
D611,477	S *	3/2010	Brunner	D14/412	D782,684	S *	3/2017	Pippel	D24/186
D611,654	S *	3/2010	Nakasuka	D28/48	D782,685	S *	3/2017	Pippel	D24/186
D612,510	S *	3/2010	Byle	D24/210	D787,083	S *	5/2017	Ely	D24/209
D612,853	S *	3/2010	Waterman	D14/427	D789,545	S *	6/2017	Pippel	D24/186
D614,628	S *	4/2010	Taylor	D14/431	D790,546	S *	6/2017	Zhou	D14/426
D616,607	S *	5/2010	Ramm	D28/48	D792,025	S *	7/2017	Faktorovich	D28/48
D618,816	S *	6/2010	Kubicki	D24/209	9,693,759	B2 *	7/2017	Seguy	A61B 10/04
D620,200	S *	7/2010	Belozerova	D28/51	D794,854	S *	8/2017	Zepter	D26/45
7,749,178	B2 *	7/2010	Imboden	A61H 19/00	D795,423	S *	8/2017	Chen	D24/133
				601/72	D796,454	S *	9/2017	Zheng	D13/168
D621,546	S *	8/2010	Aulwes	D28/53	D797,743	S *	9/2017	Awad	D21/333
D635,718	S *	4/2011	White, Jr.	D28/48	D798,443	S *	9/2017	Matthison-Hansen	D24/128
7,918,862	B2 *	4/2011	Hull, Jr.	A61H 7/005	D801,538	S *	10/2017	Rondoni	D24/186
				604/290	D802,841	S *	11/2017	Kling	D24/209
D637,309	S *	5/2011	Park	D24/215	D803,398	S *	11/2017	Israni	D24/146
D639,437	S *	6/2011	Bishay	D24/167	9,814,904	B2 *	11/2017	Jones	A61N 5/0616
D652,512	S *	1/2012	Sherwood	D24/133	D806,796	S *	1/2018	Cowen	D19/934
D652,919	S *	1/2012	Sherwood	D24/133	D806,952	S *	1/2018	Micinilio	D28/48
D652,920	S *	1/2012	Sherwood	D24/133	D810,306	S *	2/2018	Rondoni	D24/186
D655,041	S *	2/2012	Grades	D28/44	D812,740	S *	3/2018	Ratjen	D24/112
D656,620	S *	3/2012	Altshuler	D24/209	D812,758	S *	3/2018	Yoon	D24/186
8,139,049	B1 *	3/2012	Brandon	G06F 3/03545	D813,396	S *	3/2018	Yoon	D24/186
				345/183	D820,263	S *	6/2018	Rebello	D14/426
D660,448	S *	5/2012	Lum	D24/209	D836,639	S *	12/2018	Volta	D14/431
D660,974	S *	5/2012	Jones	D24/209	D844,608	S *	4/2019	Chen	D21/333
D664,295	S *	7/2012	Grades	D28/44	D858,789	S *	9/2019	Logan	D24/215
D665,032	S *	8/2012	Sogade	D21/333	D866,981	S *	11/2019	He	D4/127
D667,054	S *	9/2012	Dyer	D19/178	D868,990	S *	12/2019	Tse	D24/215
D667,380	S *	9/2012	Ishikawa	D13/168	D884,703	S *	5/2020	Silver	D14/426
D667,557	S *	9/2012	Boudier	D24/186	D898,910	S *	10/2020	Hansen	D24/137
D671,226	S *	11/2012	Aulwes	D24/215	D900,325	S *	10/2020	Emery	D24/187
8,317,781	B2 *	11/2012	Owens	A61N 5/0616	D906,530	S *	12/2020	Liu	D24/214
				606/17	D919,455	S *	5/2021	Yin	D10/57
D683,022	S *	5/2013	Moon	D24/158	D926,603	S *	8/2021	Wang	D10/57
8,540,702	B2 *	9/2013	Ely	A61B 18/203	D926,604	S *	8/2021	Wang	D10/57
				606/2	D945,611	S *	3/2022	Ogino	D24/133
D691,217	S *	10/2013	Condon	D21/566	2002/0104887	A1 *	8/2002	Schlieffers	G06K 7/10881
D692,570	S *	10/2013	Luzon	D24/215					235/472.02
D695,903	S *	12/2013	Tamsiran	D24/209	2003/0141370	A1 *	7/2003	Hamilton	G06F 1/1626
D696,778	S *	12/2013	Liao	D24/133					707/E17.113
D702,358	S *	4/2014	Shinohara	D24/187	2004/0230246	A1 *	11/2004	Stein	A61N 1/37247
D706,433	S *	6/2014	Fuhr	D24/200					607/32
D706,439	S *	6/2014	Hahr	D24/215	2006/0092133	A1 *	5/2006	Touma	G06F 3/04815
D706,440	S *	6/2014	Hahr	D24/215					345/158
D706,444	S *	6/2014	Hahr	D24/215	2007/0038206	A1 *	2/2007	Altshuler	A46B 15/0036
D706,445	S *	6/2014	Logan	D24/215					606/20
D710,362	S *	8/2014	Kaminsky	D14/426	2007/0049374	A1 *	3/2007	Ikeda	A63F 13/213
D719,651	S *	12/2014	Hoffmann	D24/133					463/30
D723,160	S *	2/2015	Rodan	D24/146	2007/0072680	A1 *	3/2007	Ikeda	A63F 13/428
D724,726	S *	3/2015	Prokop	D24/133					463/43
D726,926	S *	4/2015	Matsushita	D24/200	2008/0065056	A1 *	3/2008	Powell	A61N 5/0616
D734,479	S *	7/2015	Youngquist	D24/158					607/90
D734,743	S *	7/2015	Geck	D14/218	2008/0140164	A1 *	6/2008	Oberreiter	A61N 5/0616
D737,441	S *	8/2015	Presser	D24/146					606/9
D742,003	S *	10/2015	Tasar	D24/146	2008/0306417	A1 *	12/2008	Imboden	A61H 21/00
D742,530	S *	11/2015	Pippel	D24/187					601/134
D742,531	S *	11/2015	Pippel	D24/187	2009/0157094	A1 *	6/2009	Yeshurun	A61B 17/54
D743,030	S *	11/2015	Jayaraj	D24/144					606/131
D757,953	S *	5/2016	Philips	D24/200	2011/0288372	A1 *	11/2011	Petersen	A61B 1/00096
9,345,633	B2 *	5/2016	Fuhr	A61H 1/008					600/109
D758,600	S *	6/2016	Matsushita	D24/200	2012/0016379	A1 *	1/2012	Kay	A61B 17/54
D759,256	S *	6/2016	Chen	D24/200					606/131
D759,261	S *	6/2016	Son	D24/215	2012/0165800	A1 *	6/2012	Keeney	A61B 18/203
D759,831	S *	6/2016	Levi	D24/200					606/9
D760,668	S *	7/2016	Mishan	D13/168	2013/0304163	A1 *	11/2013	Moon	A61N 5/0617
D761,434	S *	7/2016	Nelson	D24/186					607/88
D763,254	S *	8/2016	Aumiller	D14/344	2015/0051620	A1 *	2/2015	Presser	A61B 17/54
D765,867	S *	9/2016	Pippel	D24/187					606/131
D765,868	S *	9/2016	Pippel	D24/187	2015/0150353	A1 *	6/2015	Yiu	A61B 17/54
D767,770	S *	9/2016	Purfey	D24/186					132/75.6
					2015/0238094	A1 *	8/2015	Lai	A61B 5/0006
									600/509

* cited by examiner

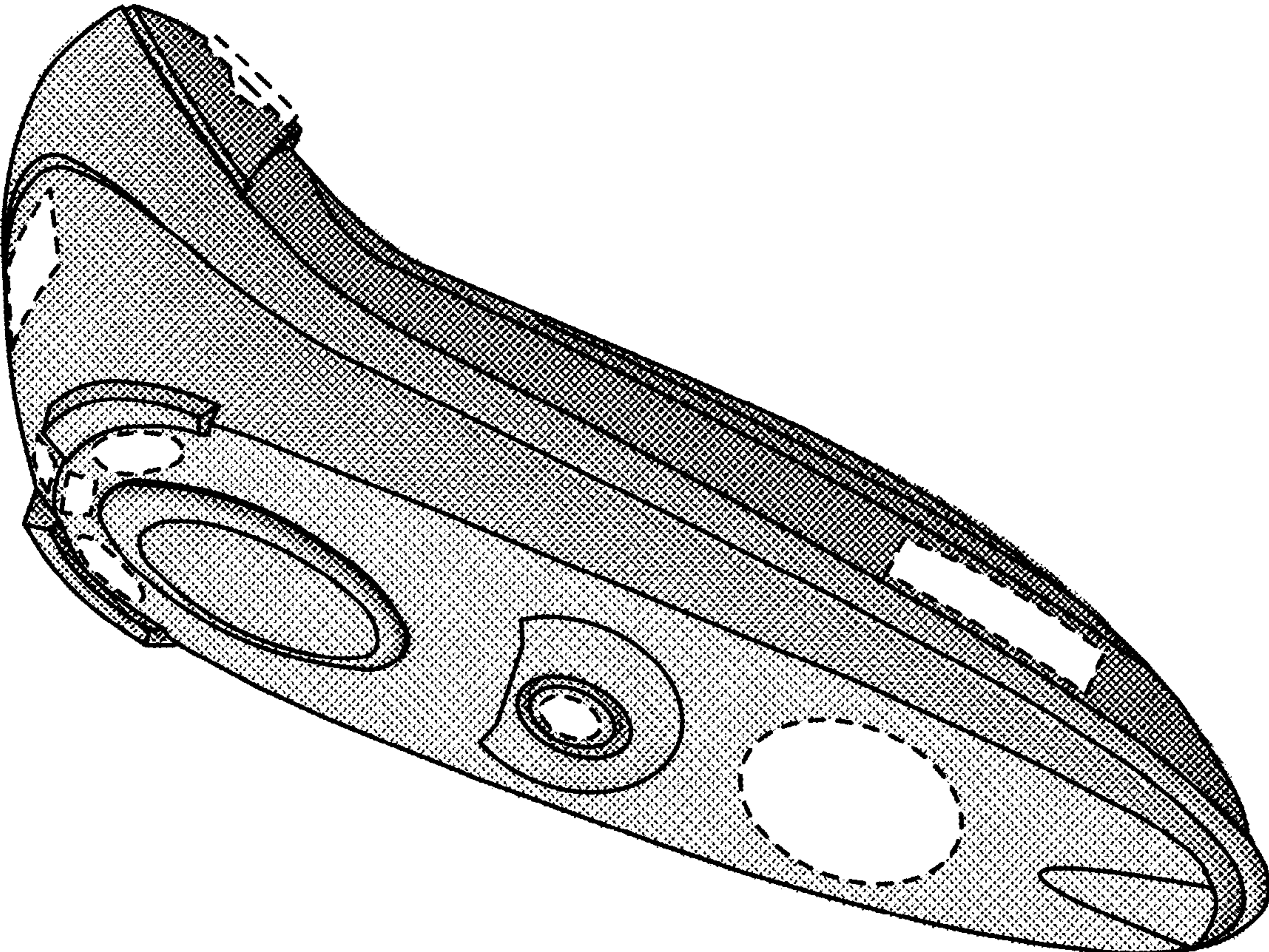


Fig. 1

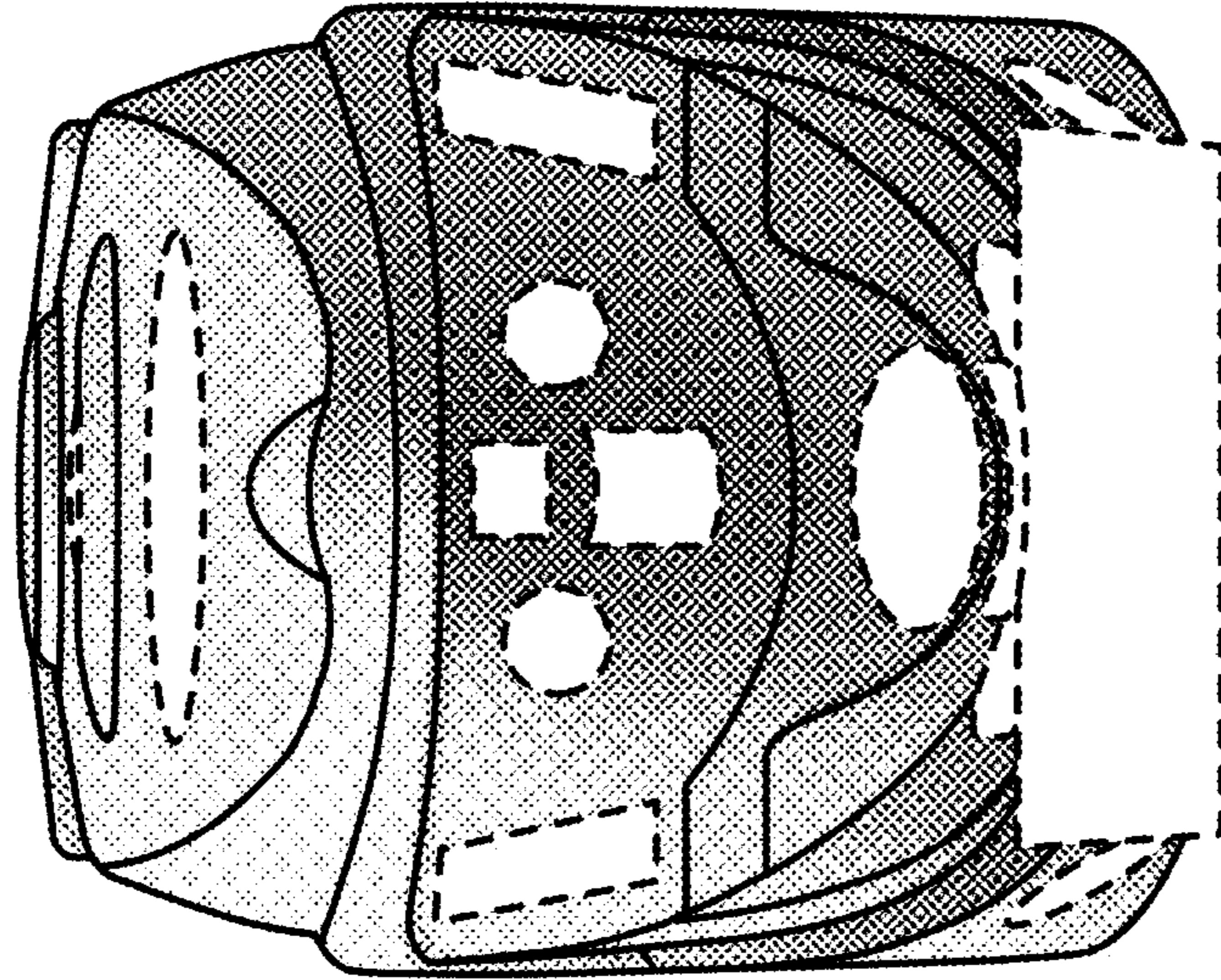


Fig. 3

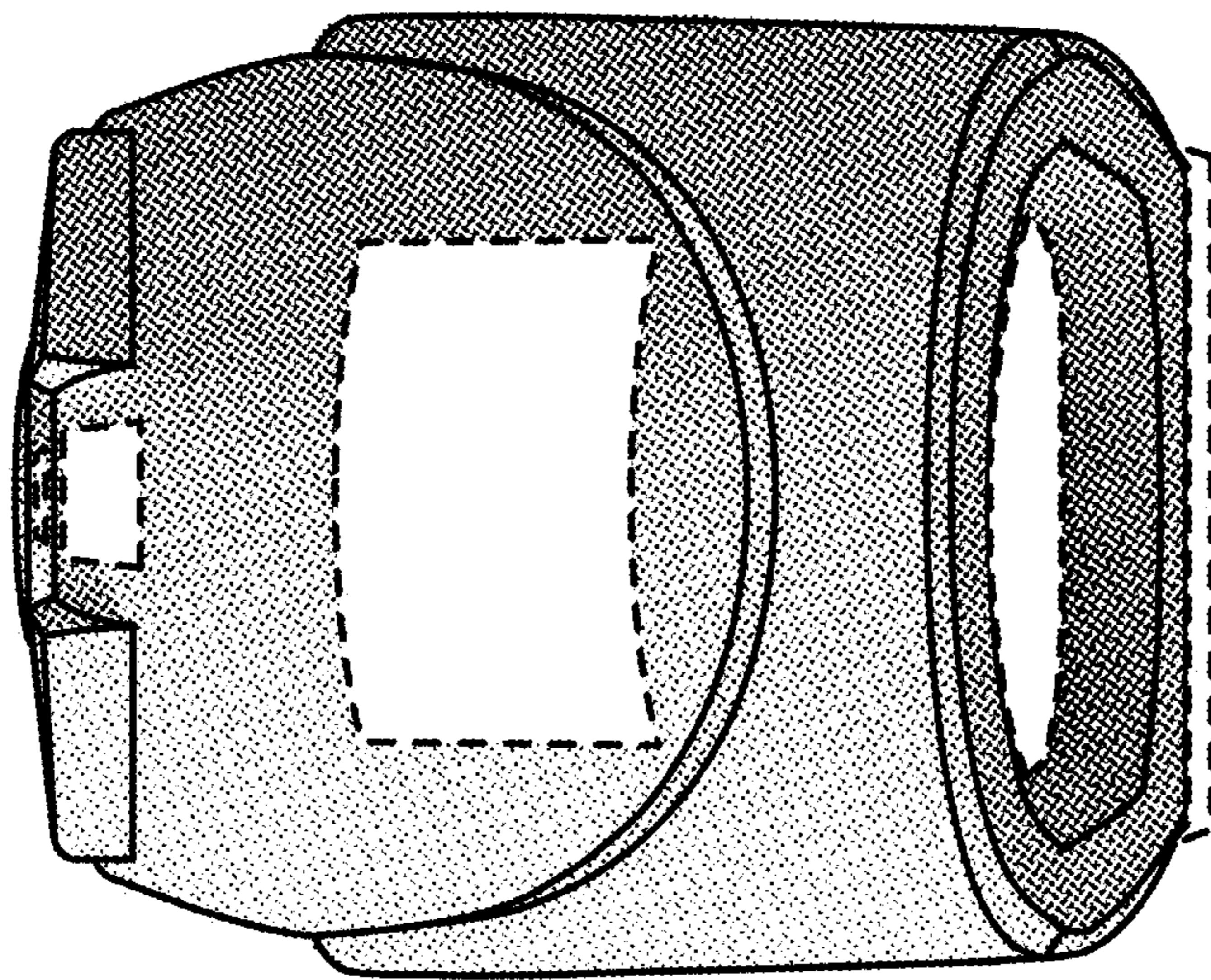


Fig. 2

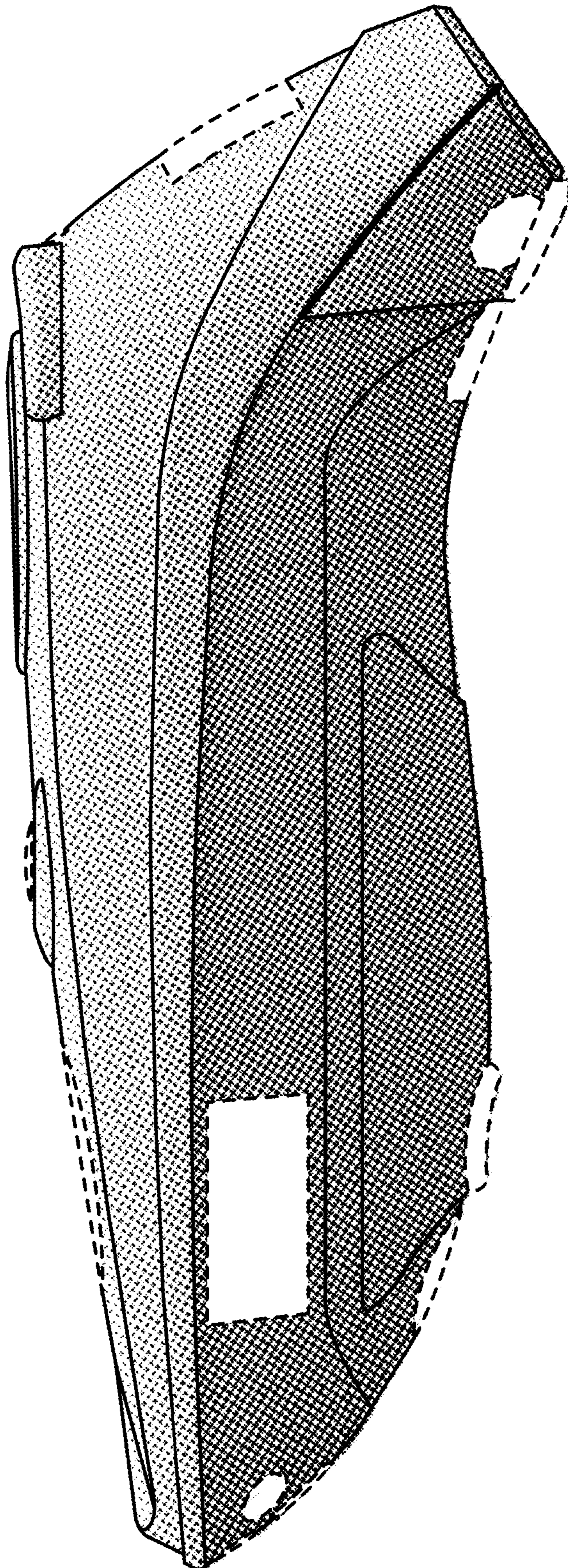


Fig. 4

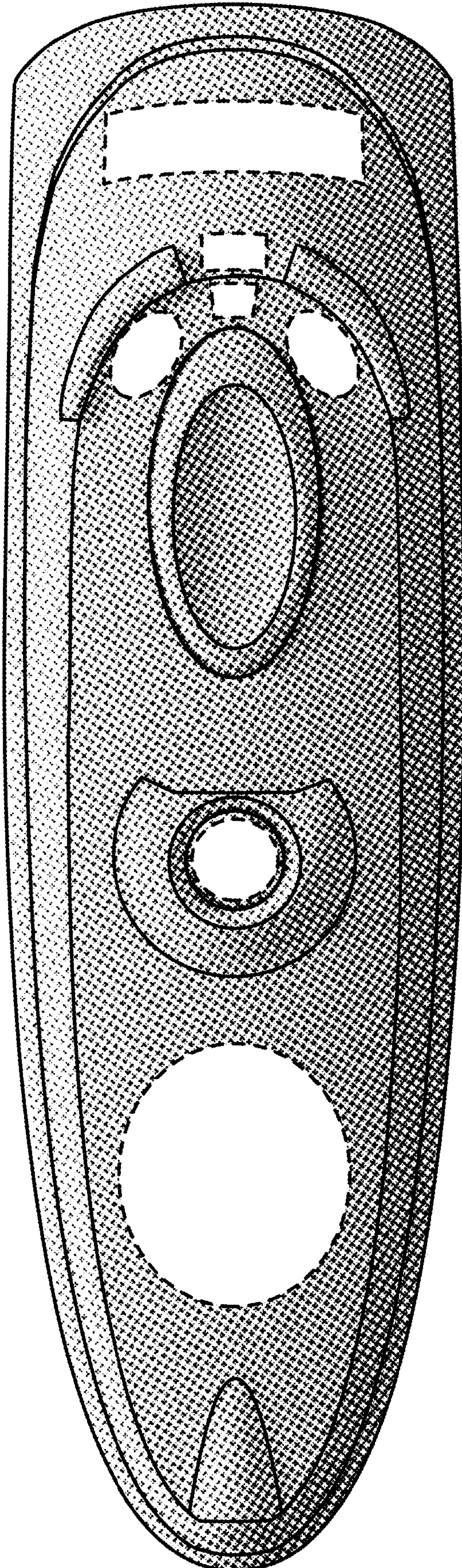


Fig. 5

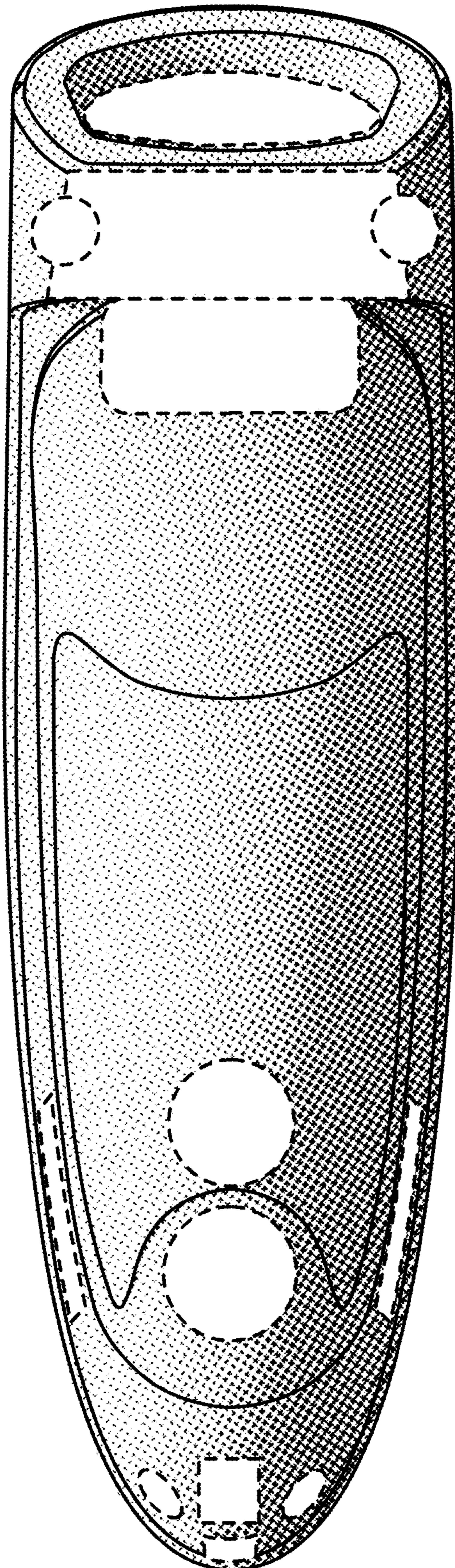


Fig. 6

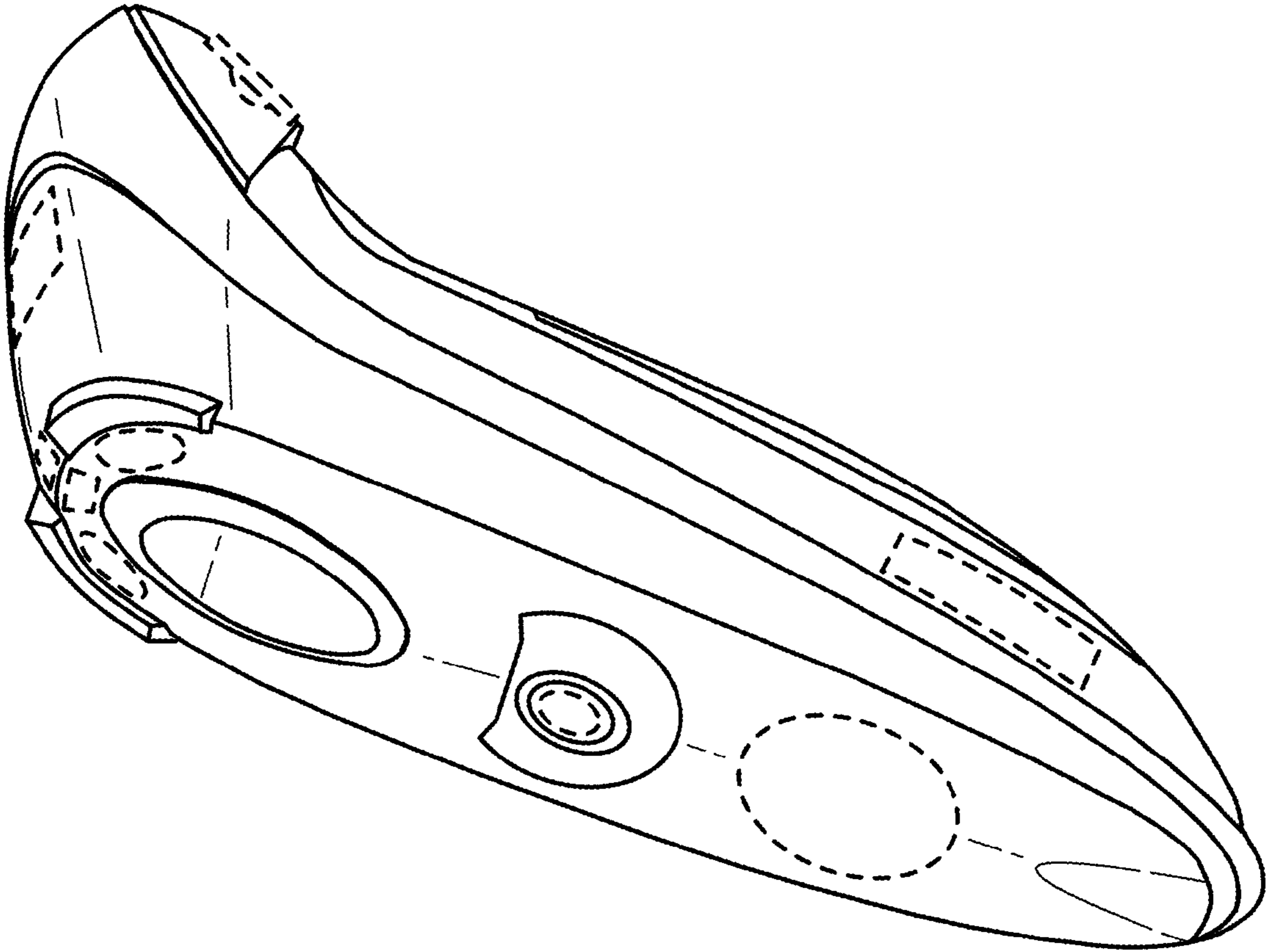


Fig. 7

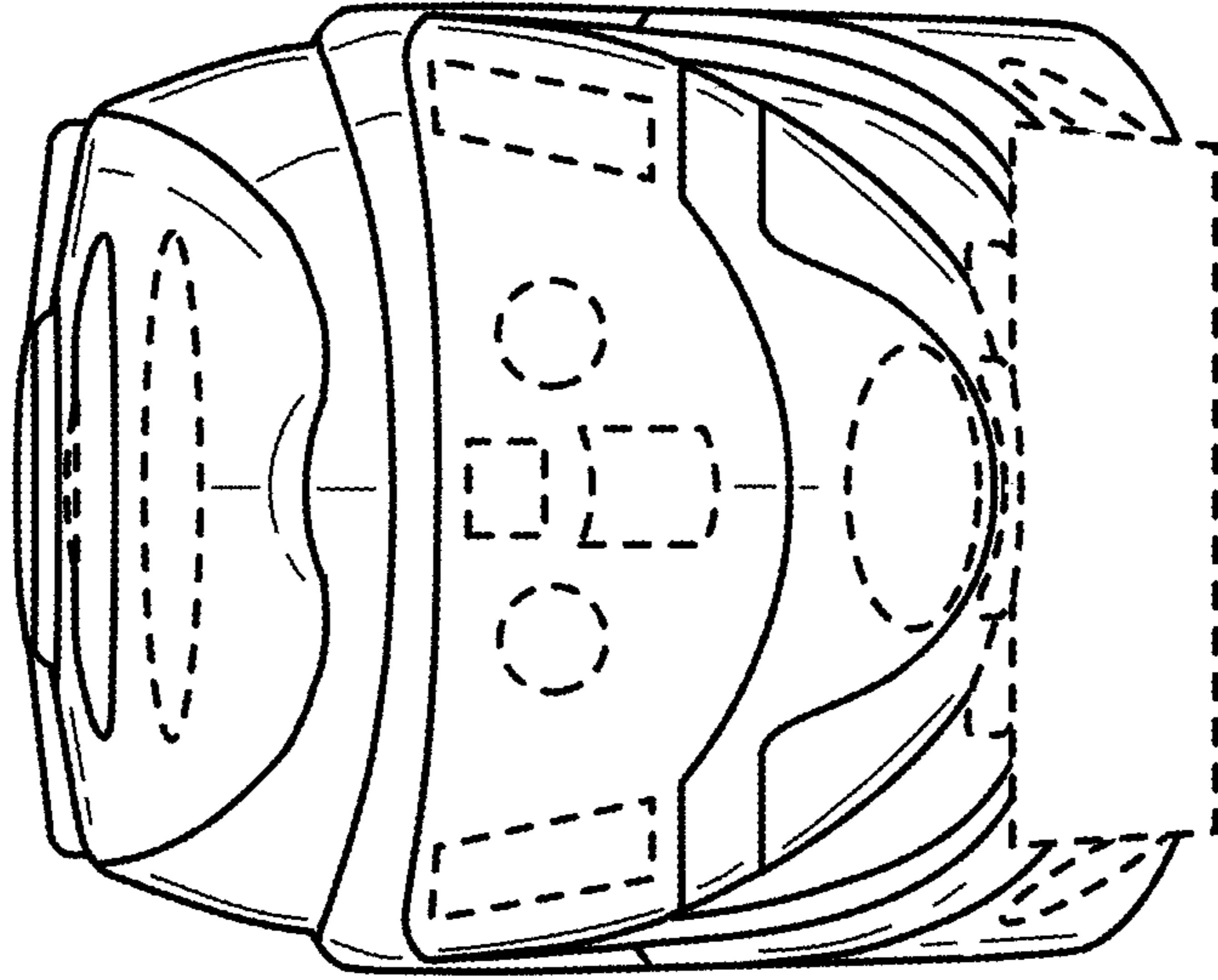


Fig. 9

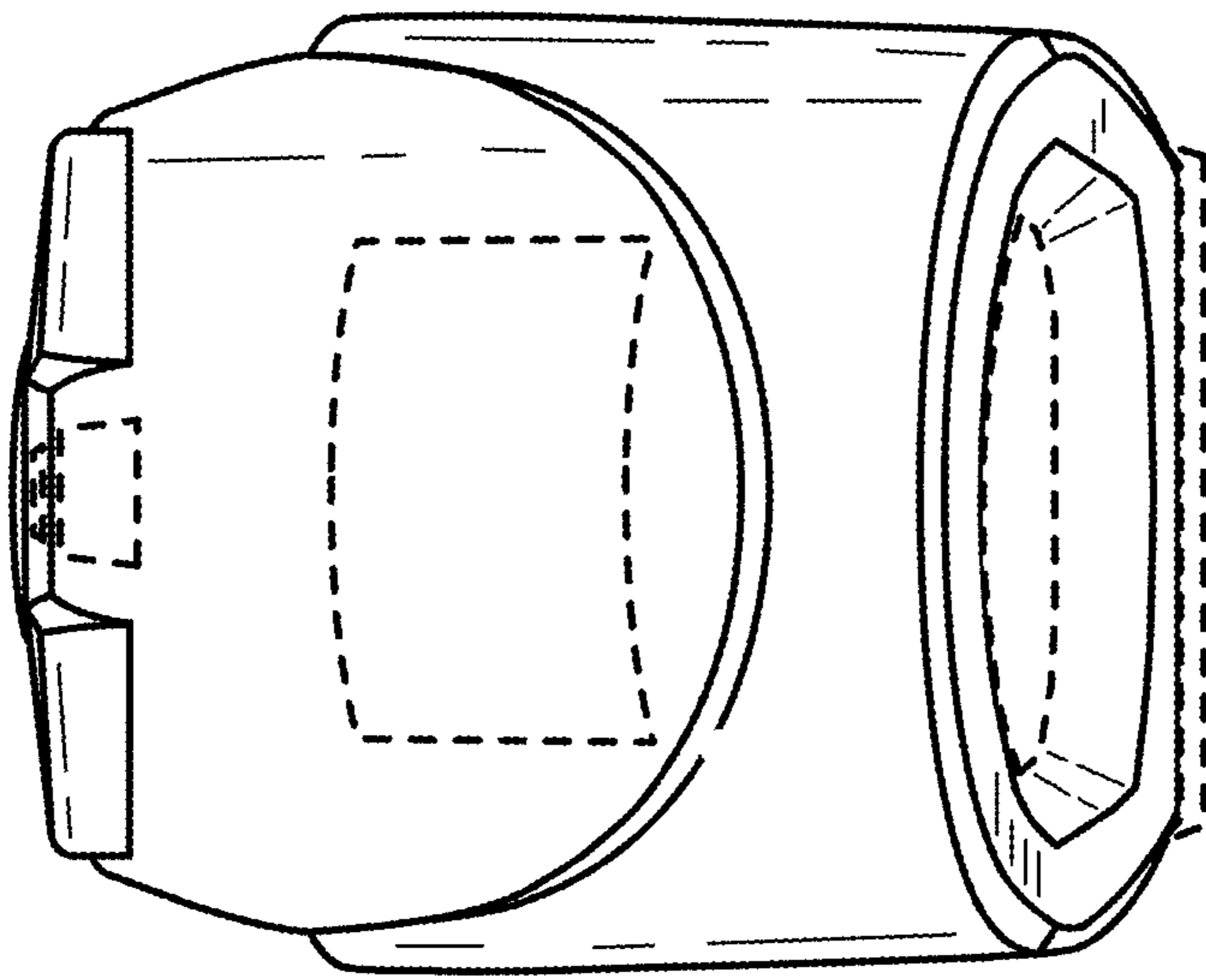


Fig. 8



Fig. 10

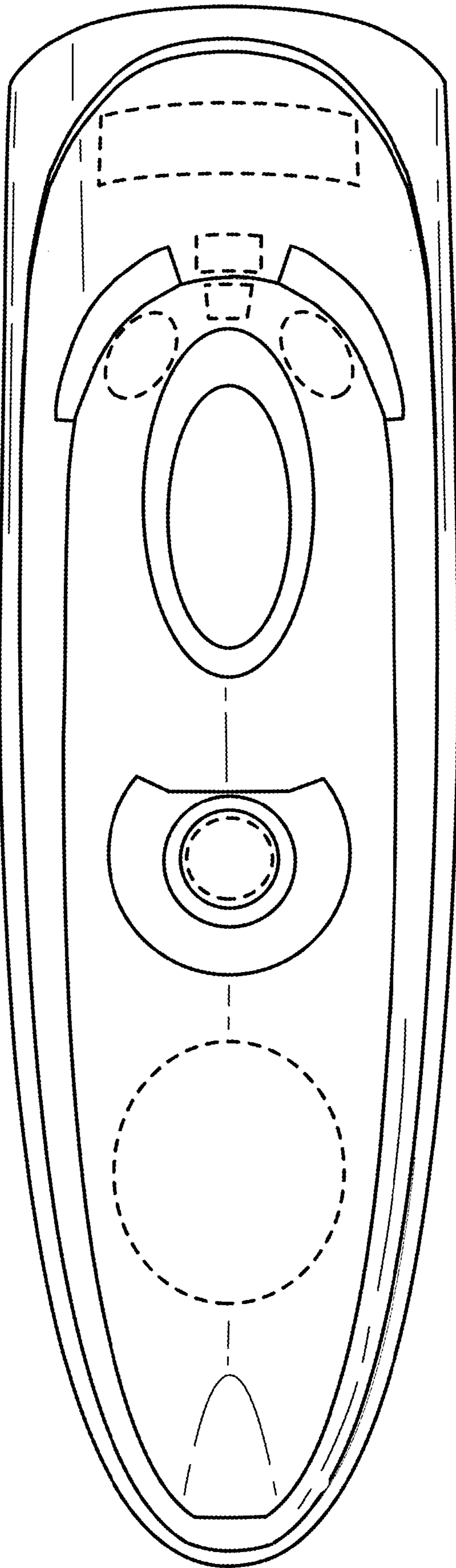


Fig. 11

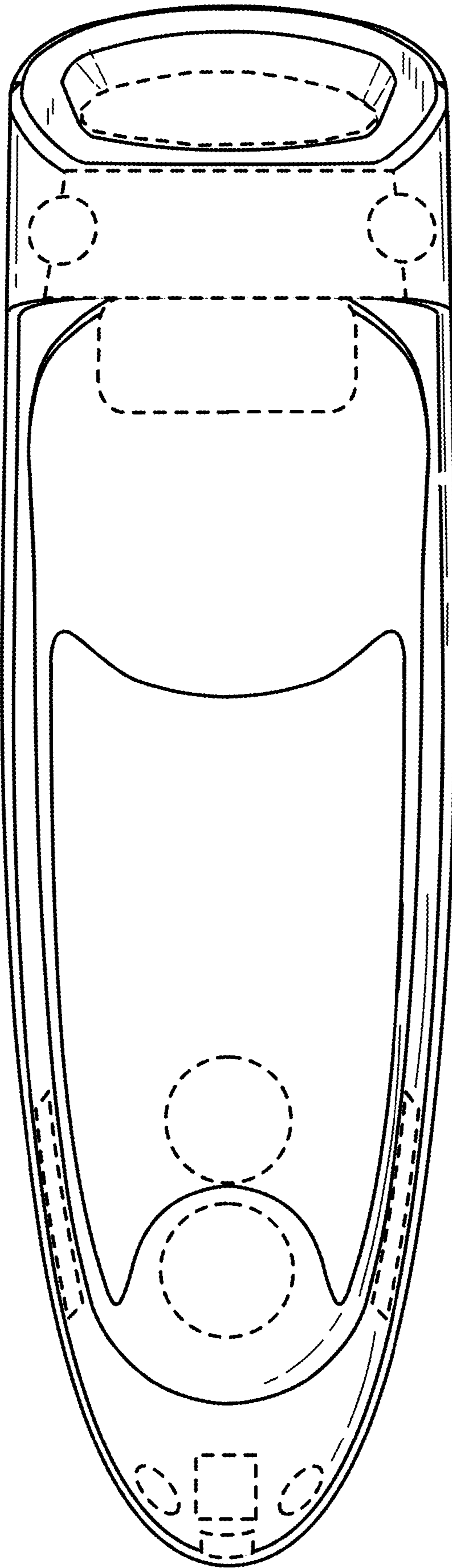


Fig. 12