



US00D956753S

(12) **United States Design Patent**
Lu et al.

(10) **Patent No.:** **US D956,753 S**
(45) **Date of Patent:** **** Jul. 5, 2022**

(54) **MOUSE DEVICE**

(71) Applicant: **DEXIN CORPORATION**, New Taipei (TW)

(72) Inventors: **Ho-Lung Lu**, New Taipei (TW);
Kuan-Ling Chen, New Taipei (TW)

(73) Assignee: **DEXIN CORPORATION**, New Taipei (TW)

(**) Term: **15 Years**

(21) Appl. No.: **29/765,092**

(22) Filed: **Jan. 5, 2021**

(30) **Foreign Application Priority Data**

Sep. 15, 2020 (TW) 109305175

(51) **LOC (13) Cl.** **14-02**

(52) **U.S. Cl.**
USPC **D14/409**

(58) **Field of Classification Search**
USPC D14/402-410, 417; D16/300-342;
351/158, 153, 144; 345/7-9, 905;
455/344; 348/115, 53, 121, 739
CPC G02B 27/017; G06F 3/016; G06F 3/033;
G06F 3/0317; G06F 3/03545; G06F
3/041; G06K 9/222
See application file for complete search history.

(56) **References Cited**

U.S. PATENT DOCUMENTS

D868,785 S * 12/2019 Liu D14/409
D889,465 S * 7/2020 Depay D14/409
D890,179 S * 7/2020 Xu D14/409
D900,822 S * 11/2020 Lee D14/409

D903,673 S * 12/2020 Xu D14/409
D903,676 S * 12/2020 Xu D14/409
D903,678 S * 12/2020 Xu D14/409
D910,020 S * 2/2021 Jinkinson D14/409
D911,340 S * 2/2021 Lee D14/409
D912,052 S * 3/2021 Xu D14/409
D920,978 S * 6/2021 Chong D14/409
D923,007 S * 6/2021 Depay D14/409
D924,238 S * 7/2021 Chong D14/409

* cited by examiner

Primary Examiner — Austin Murphy

(74) *Attorney, Agent, or Firm* — Li & Cai Intellectual Property Office

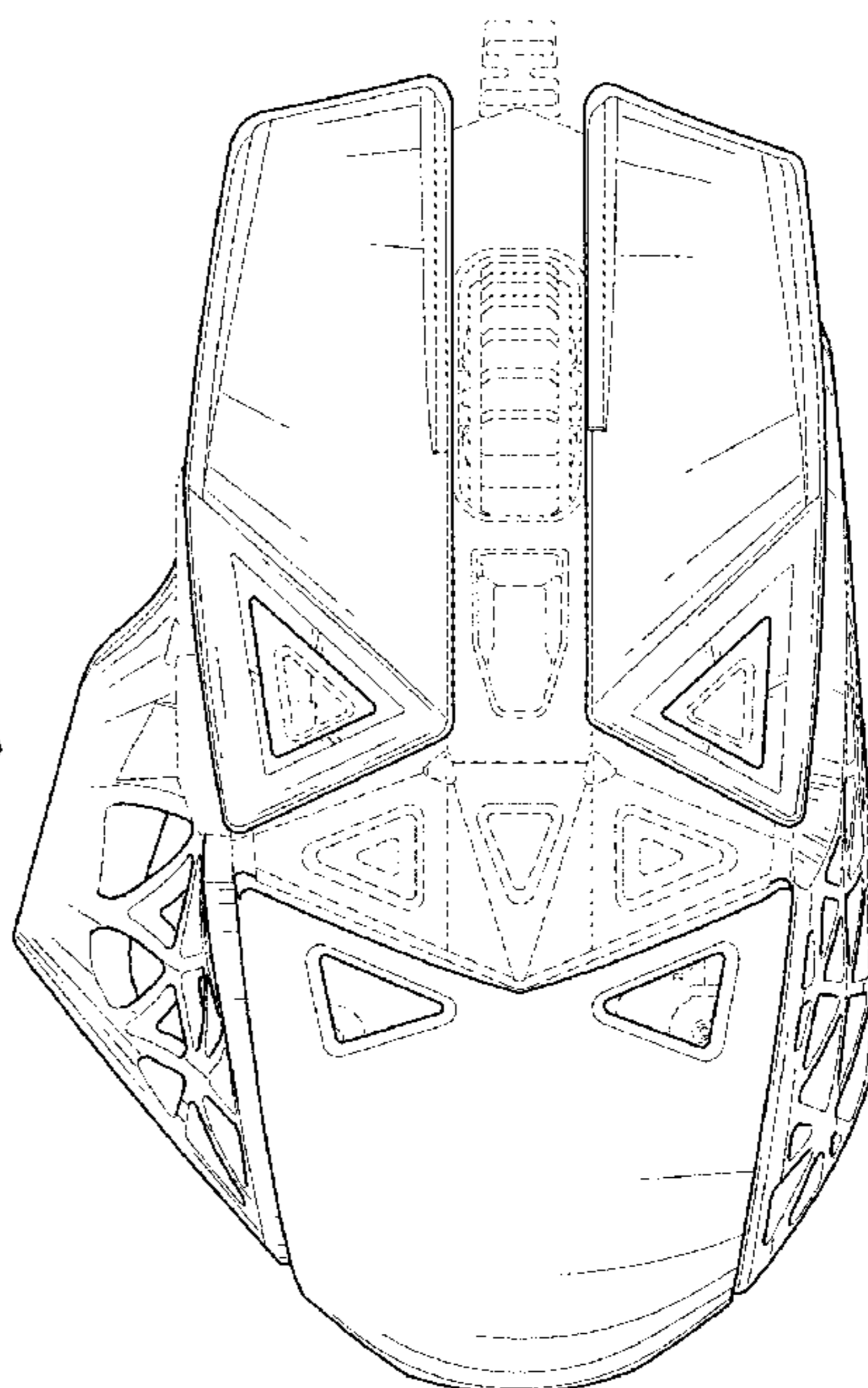
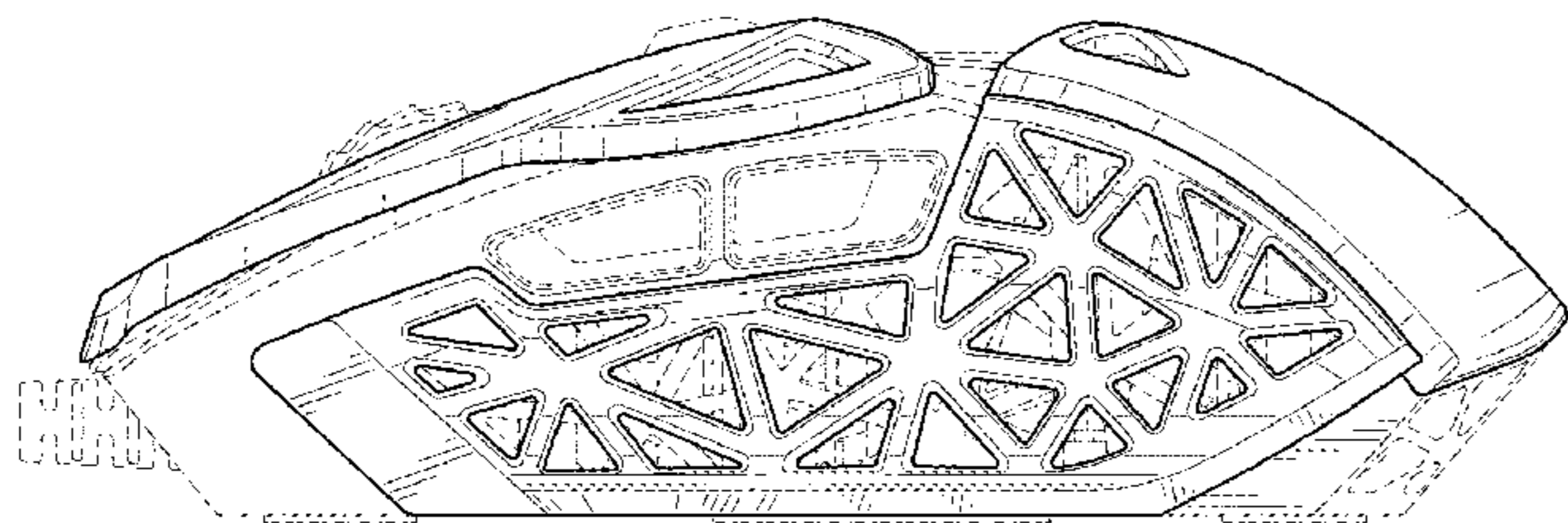
(57) **CLAIM**

The ornamental design for a mouse device, as shown and described.

DESCRIPTION

FIG. 1 is a front, right side and top perspective view of a mouse device showing the claimed design; FIG. 2 is a front elevational view thereof; FIG. 3 is a rear elevational view thereof; FIG. 4 is a left side elevational view thereof; FIG. 5 is a right side elevational view thereof; FIG. 6 is a top plan view thereof; FIG. 7 is a bottom plan view thereof; and FIG. 8 is a right exploded view thereof. FIG. 9 is a left exploded view thereof. FIG. 10 is a perspective view of a right wall of thereof; and, FIG. 11 is a left side view of the exploded view thereof. The dashed broken lines in the drawing depict portions of the mouse device that form no part of the claimed design. The dashed broken lines depict environment that forms no part of the claimed design.

1 Claim, 11 Drawing Sheets



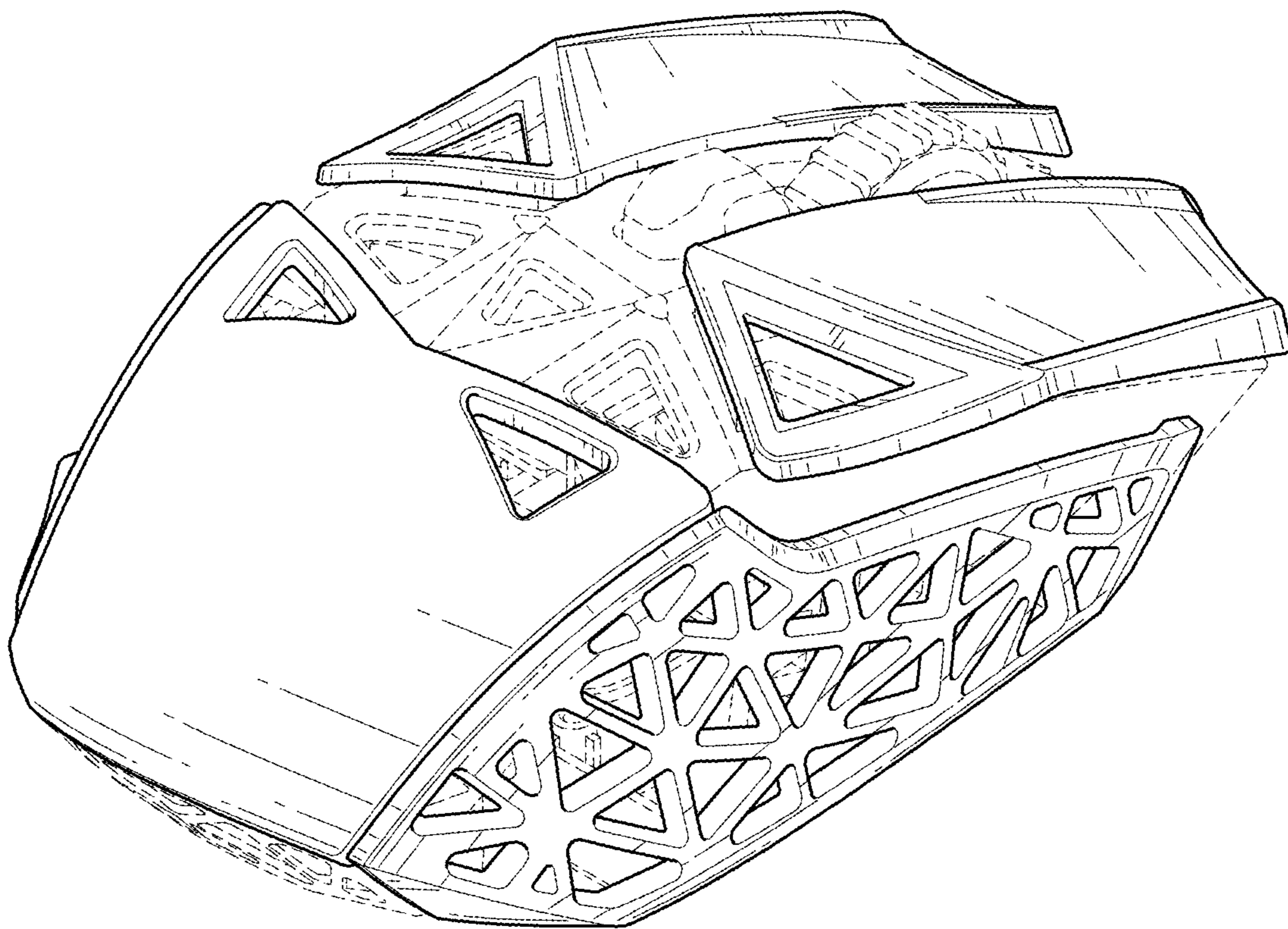


FIG. 1

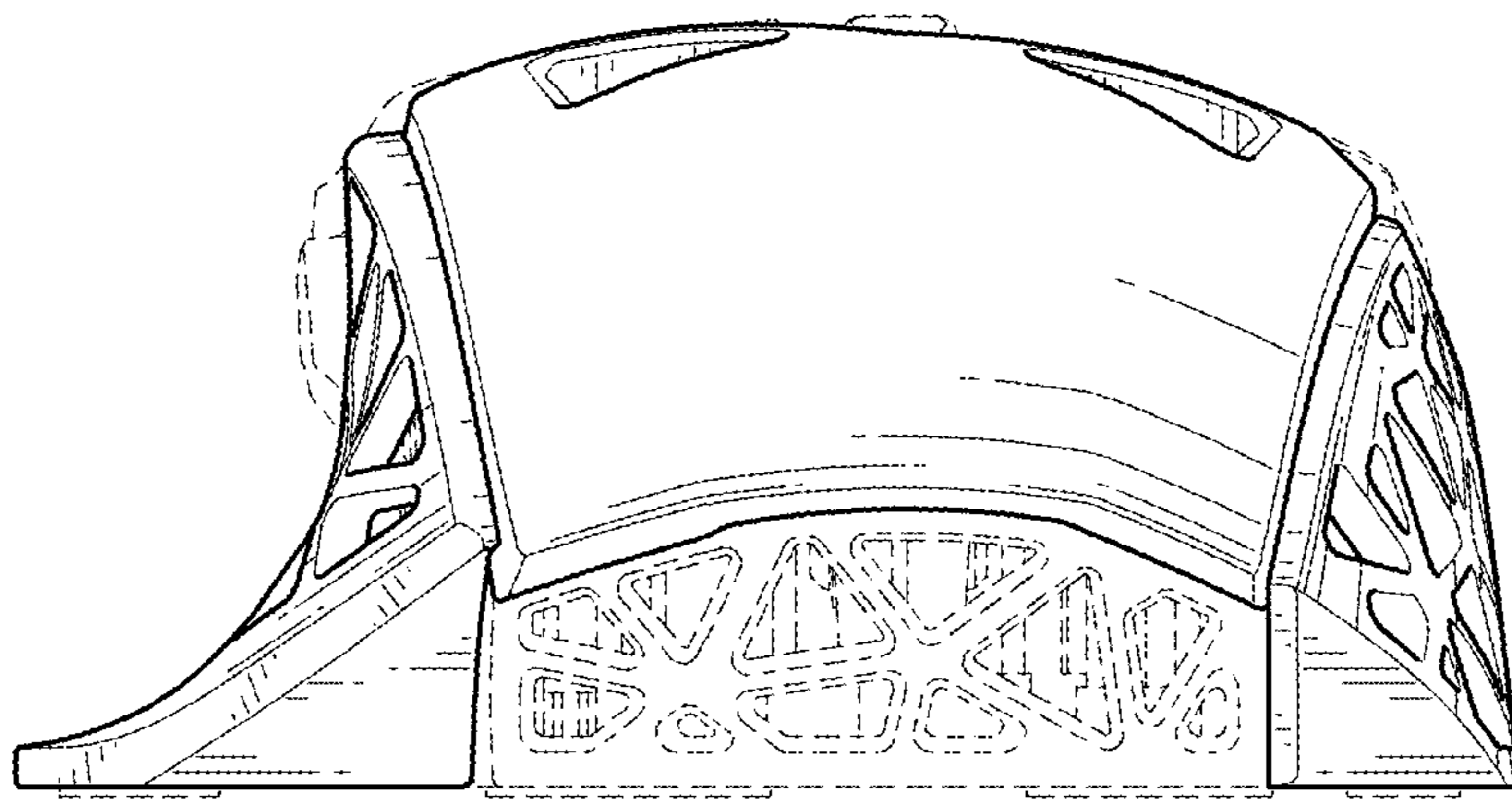


FIG. 2

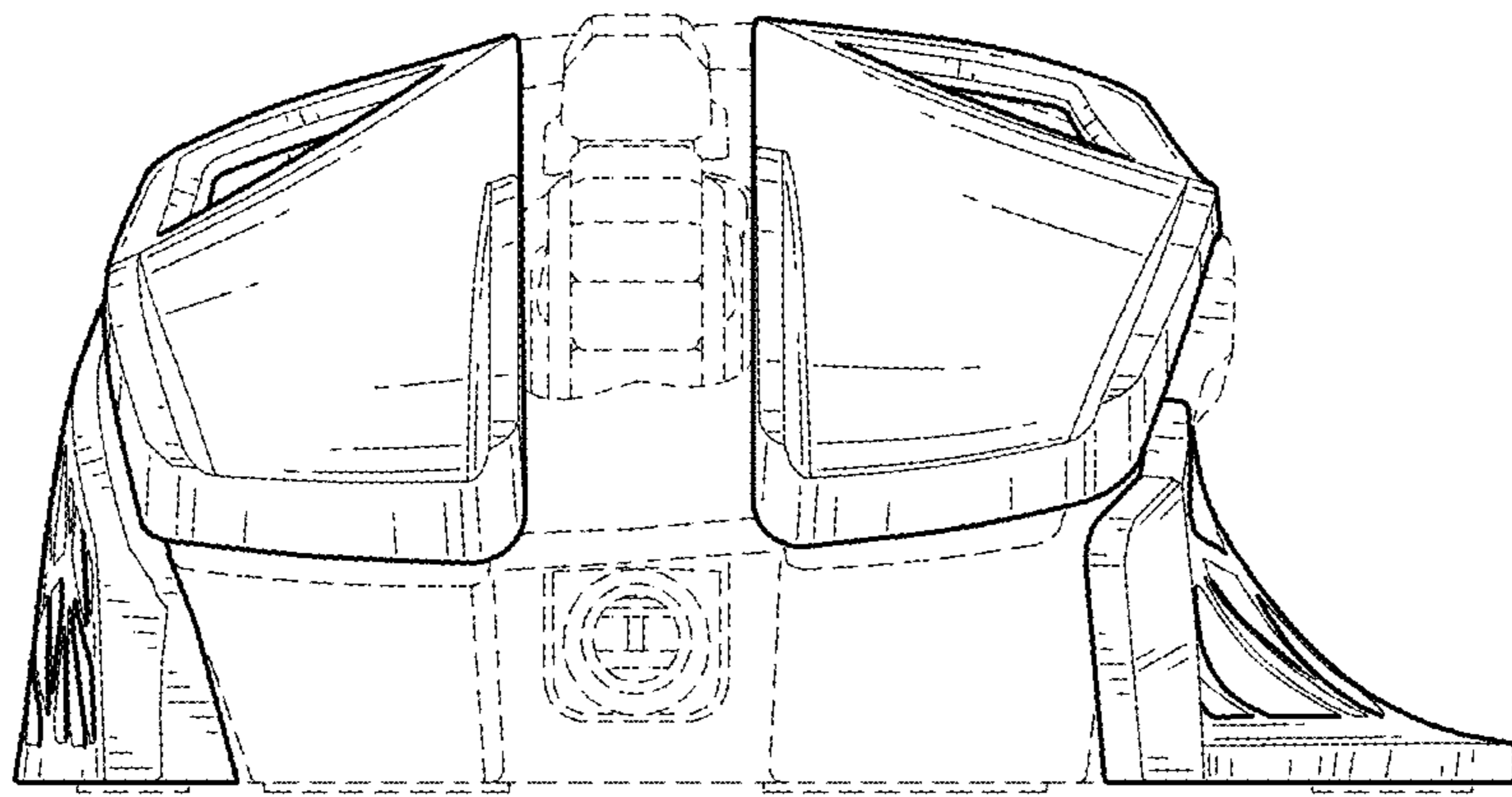


FIG. 3

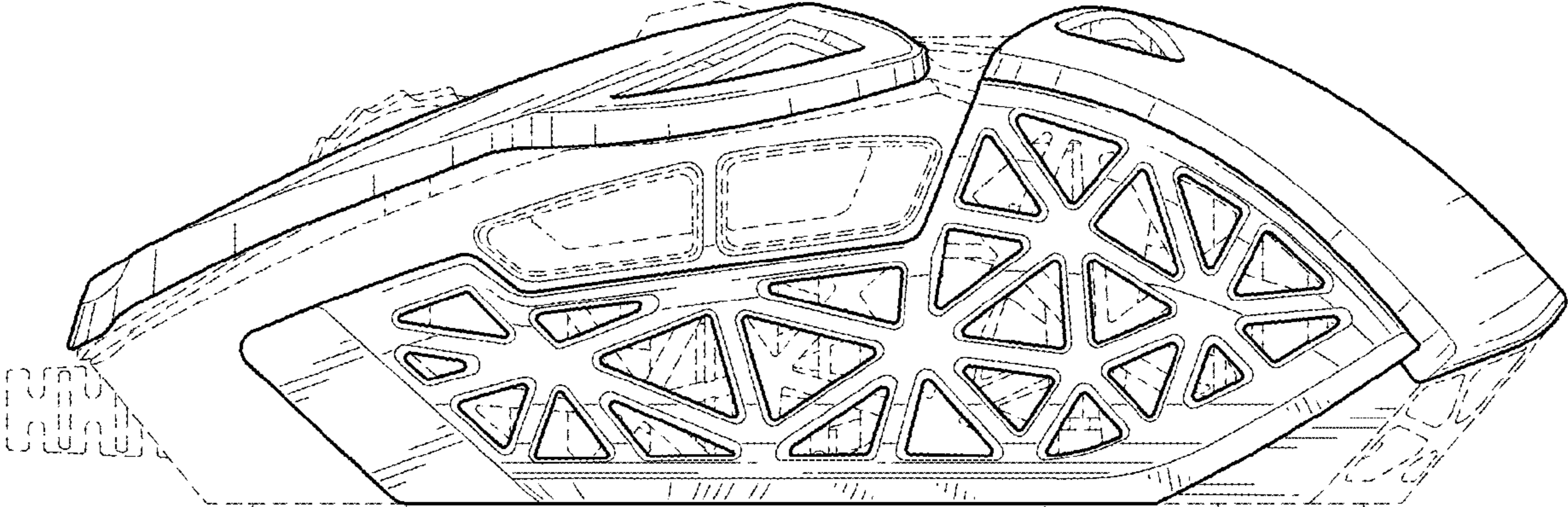


FIG. 4

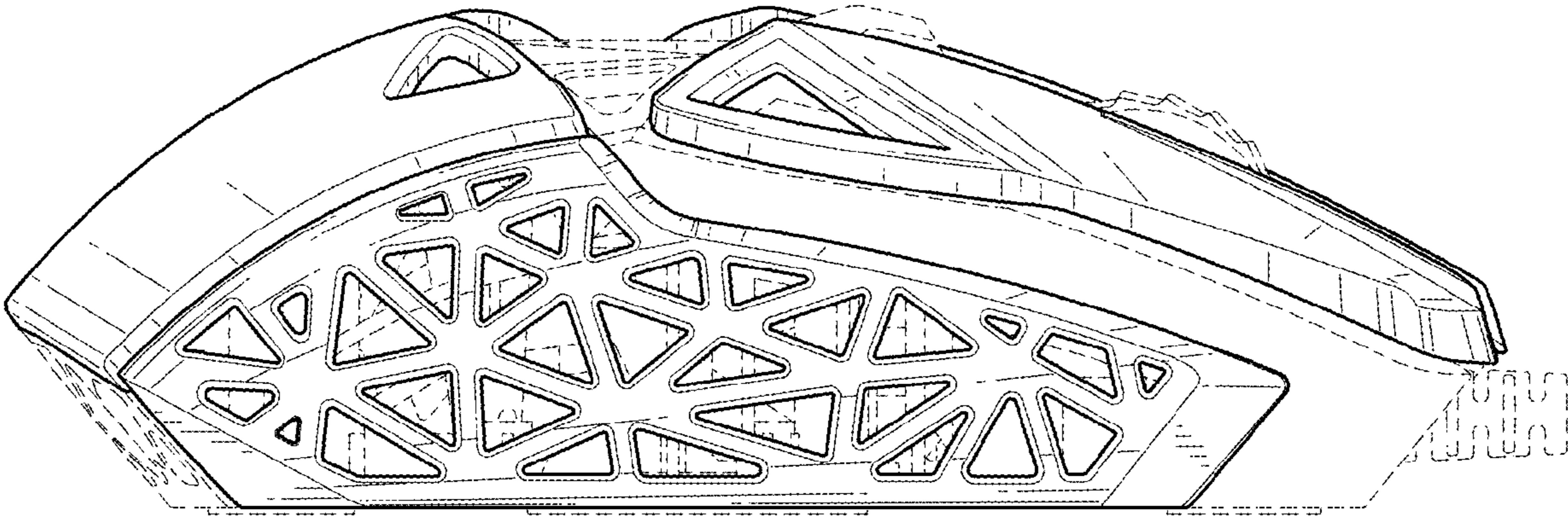


FIG. 5

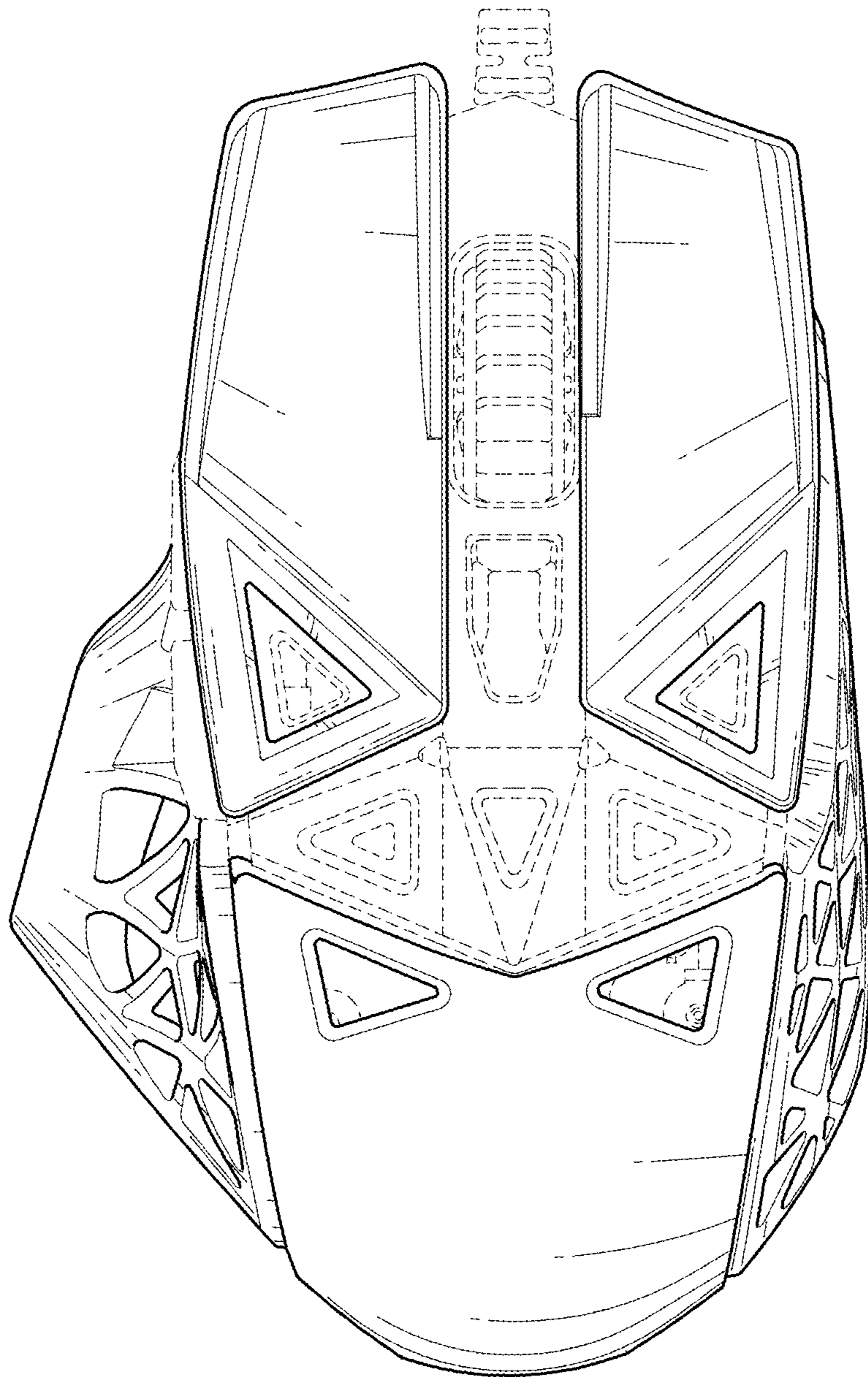


FIG. 6

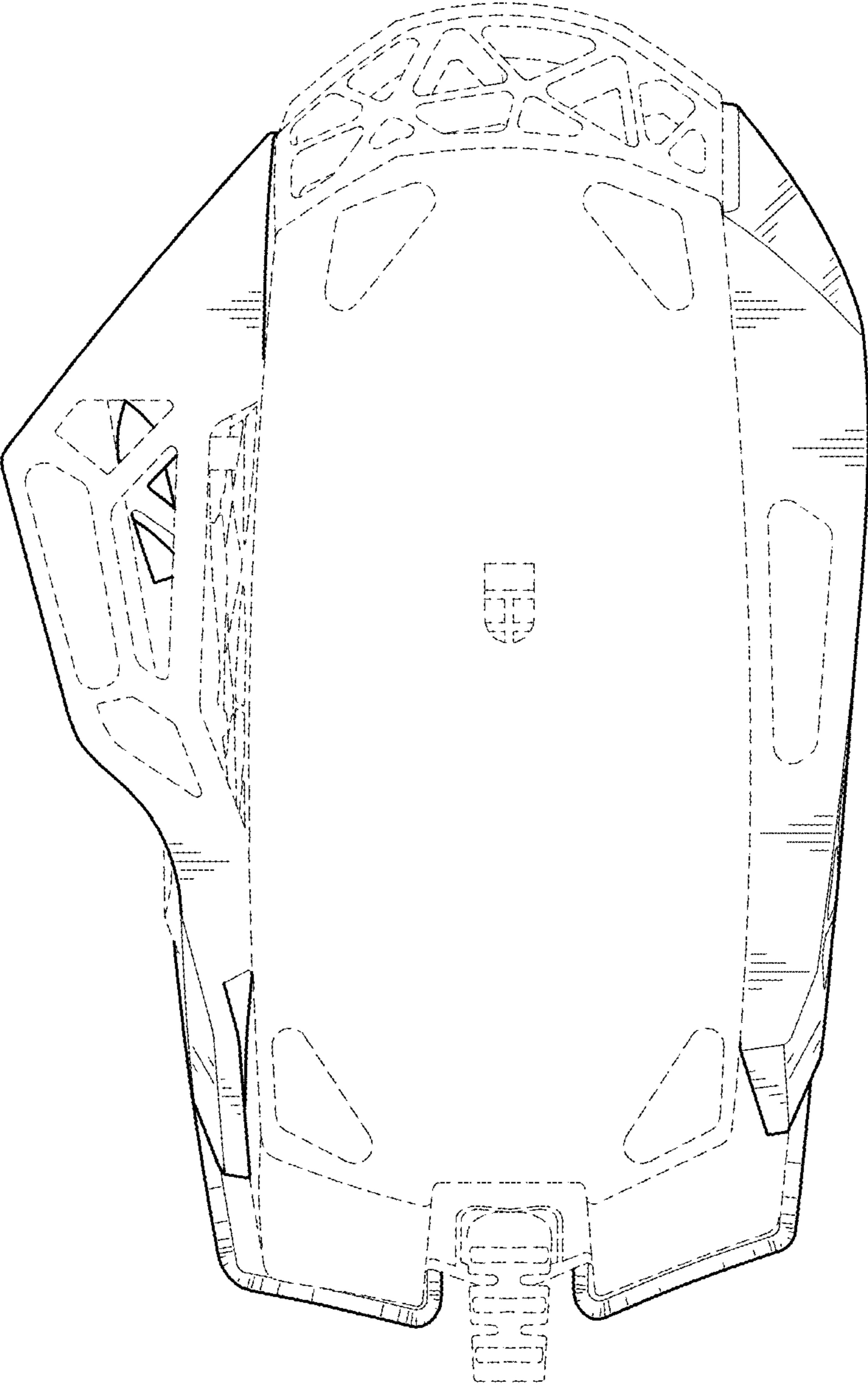


FIG. 7

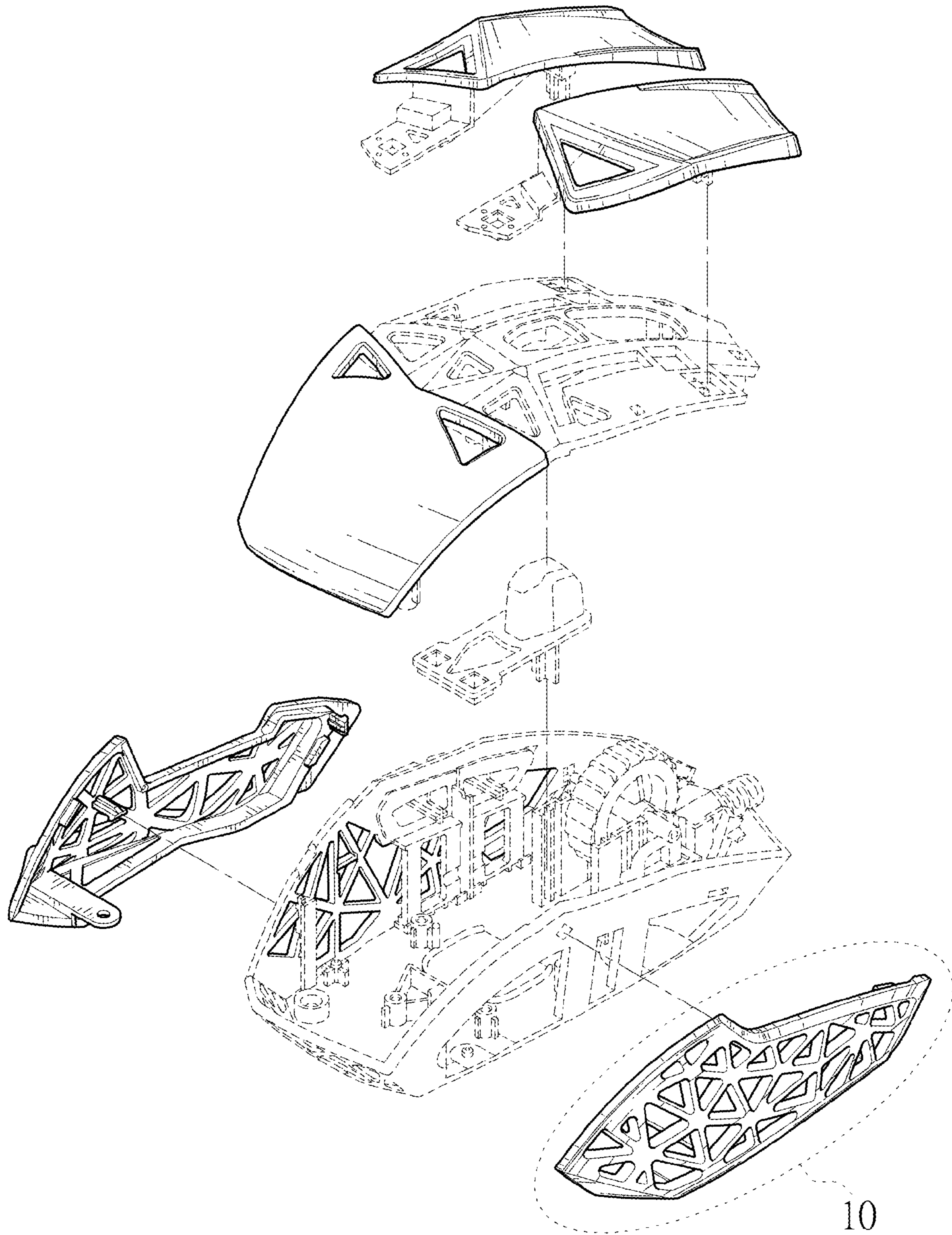


FIG. 8

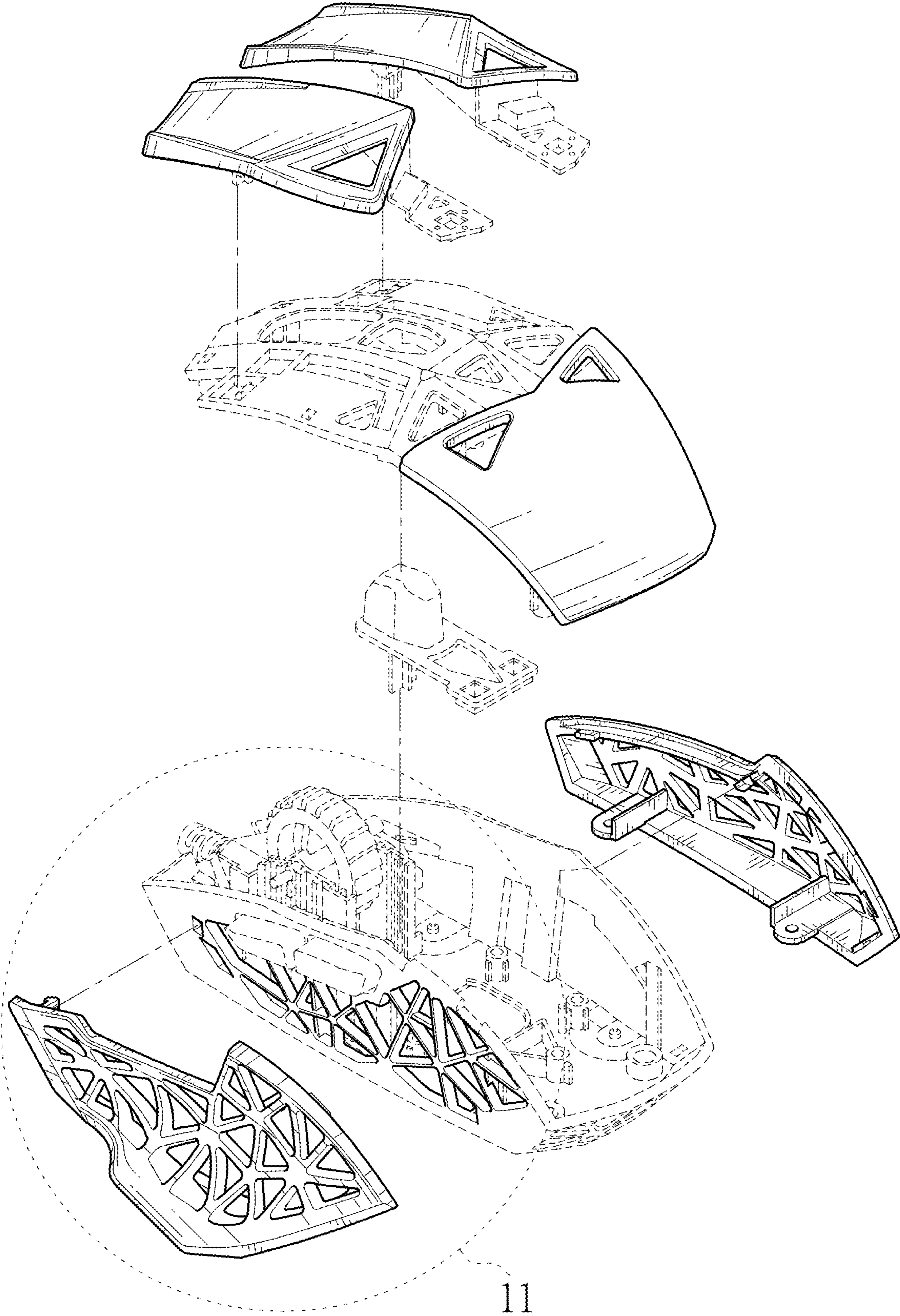


FIG. 9

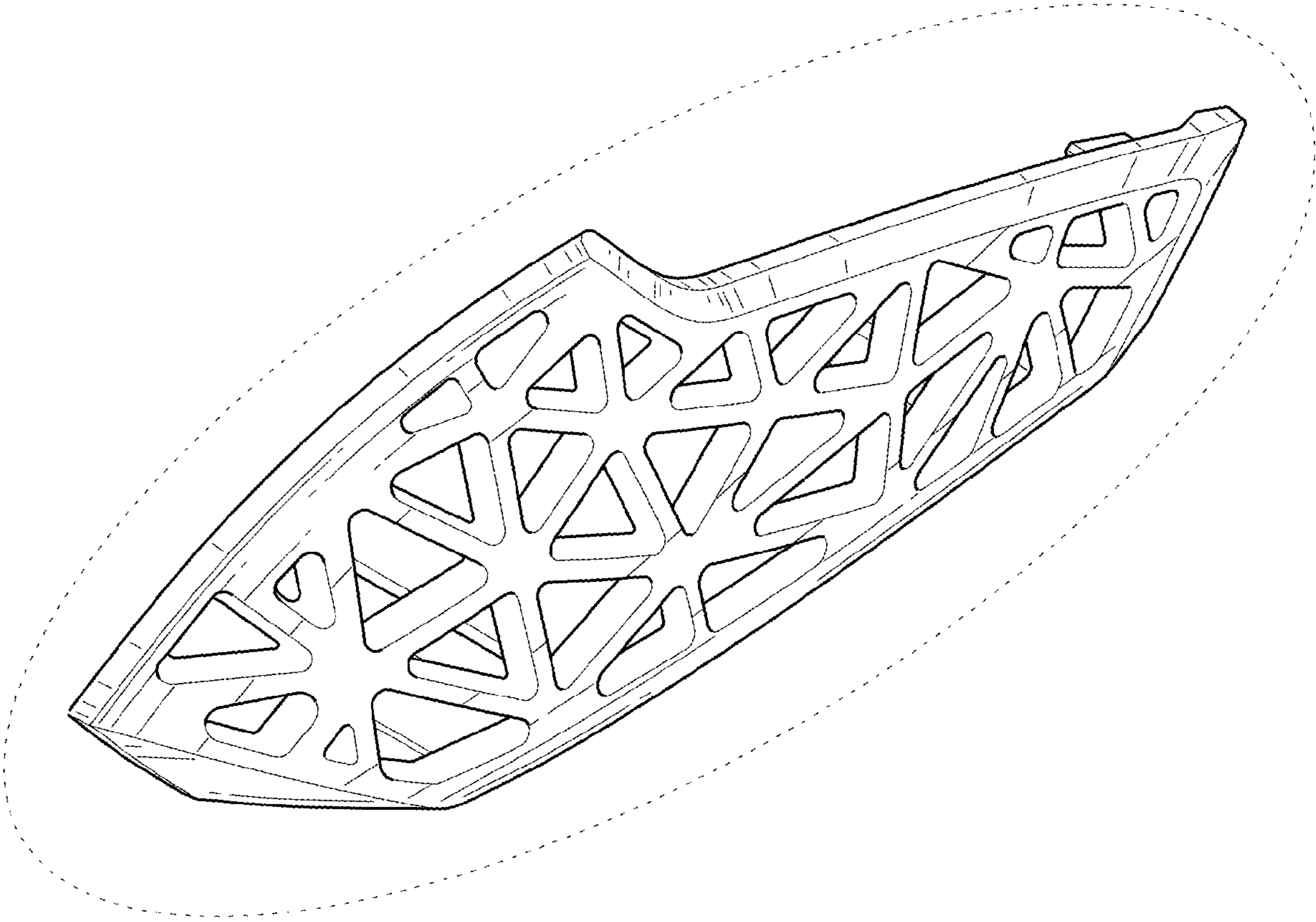


FIG.10

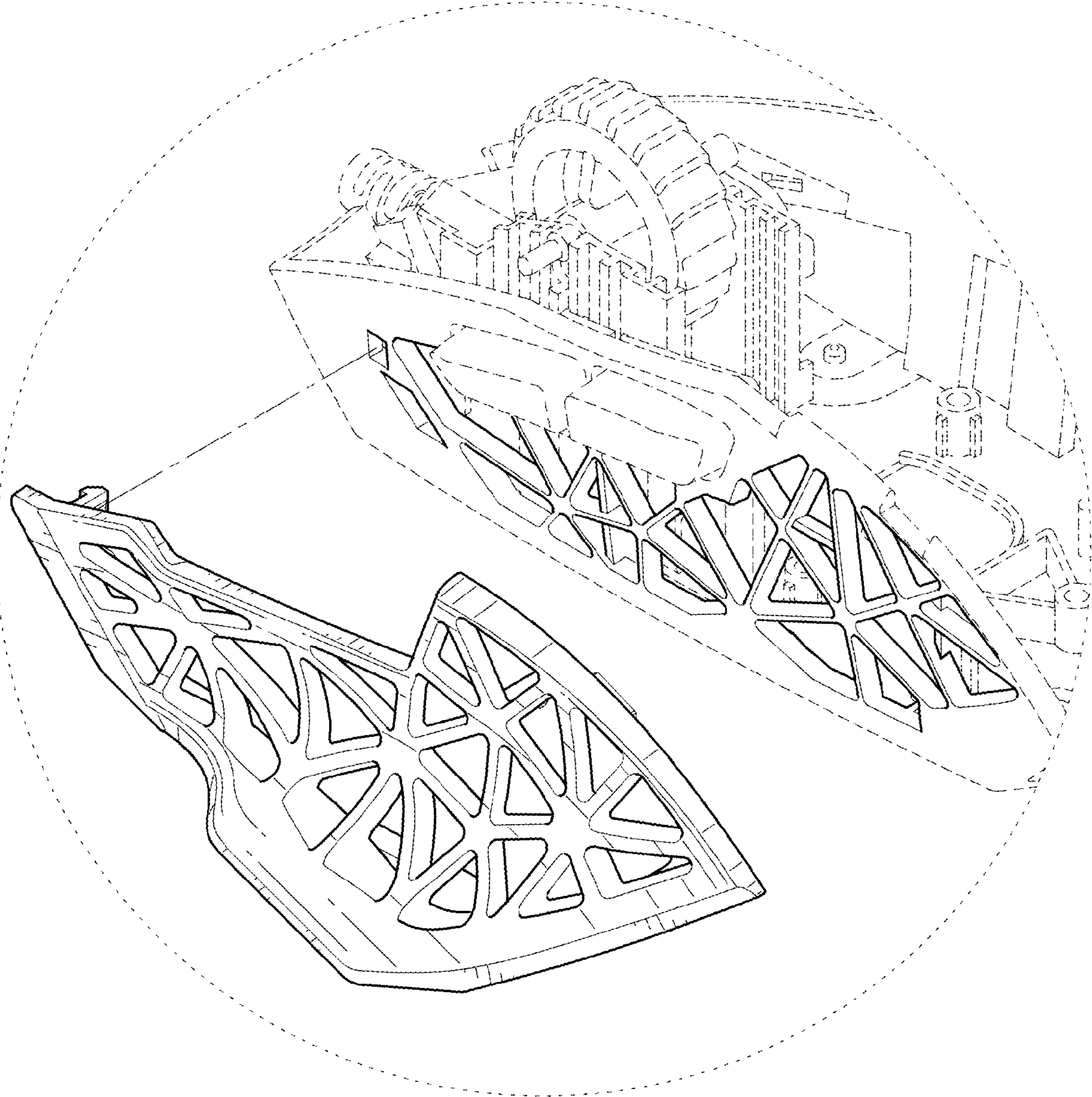


FIG.11