



US00D956751S

(12) **United States Design Patent**
Shen et al.

(10) **Patent No.: US D956,751 S**

(45) **Date of Patent: ** Jul. 5, 2022**

(54) **HEAD MOUNTED AUGMENTED REALITY
DEVICE**

(71) Applicant: **HANGZHOU LINGBAN
TECHNOLOGY CO. LTD.**, Hangzhou
(CN)

(72) Inventors: **Qingyang Shen**, Hangzhou (CN); **Kai
Xia**, Hangzhou (CN)

(73) Assignee: **HANGZHOU LINGBAN
TECHNOLOGY CO. LTD.**, Hangzhou
(CN)

(**) Term: **15 Years**

(21) Appl. No.: **29/775,458**

(22) Filed: **Mar. 23, 2021**

(30) **Foreign Application Priority Data**

Sep. 23, 2020 (CN) 202030570136.2
Mar. 10, 2021 (CN) 202130128999.9

(51) **LOC (13) Cl. 14-02**

(52) **U.S. Cl.**
USPC **D14/372**

(58) **Field of Classification Search**
USPC D14/372, 496, 432, 371, 125, 126, 129,
D14/299; D16/300–342; 351/158, 153,
351/144; 345/7–9, 905; 455/344;
348/115, 53, 121, 739
CPC G02B 27/017; G02B 27/0158; G02B
27/0161; G02B 27/0181; G02B 27/0185;
G02B 27/0189

See application file for complete search history.

(56) **References Cited**

U.S. PATENT DOCUMENTS

| | | | | |
|-------------------|---------|--------|-------|--------------|
| D862,465 S * | 10/2019 | Su | | D14/372 |
| D870,727 S * | 12/2019 | Nie | | D14/372 |
| D872,079 S * | 1/2020 | Huang | | D14/372 |
| D880,476 S * | 4/2020 | Chen | | D14/372 |
| D882,569 S * | 4/2020 | Tsao | | D14/372 |
| D893,477 S * | 8/2020 | Bhat | | D14/372 |
| D916,086 S * | 4/2021 | Zhang | | D14/372 |
| D917,476 S * | 4/2021 | Zhang | | D14/372 |
| D918,201 S * | 5/2021 | Huang | | D14/372 |
| D925,529 S * | 7/2021 | Morris | | D14/372 |
| D931,277 S * | 9/2021 | Denhez | | D14/372 |
| D945,996 S * | 3/2022 | Wang | | D14/372 |
| 2017/0357334 A1 * | 12/2017 | Balan | | G02B 27/0172 |

* cited by examiner

Primary Examiner — Austin Murphy

(74) *Attorney, Agent, or Firm* — Getech Law LLC; Jun
Ye

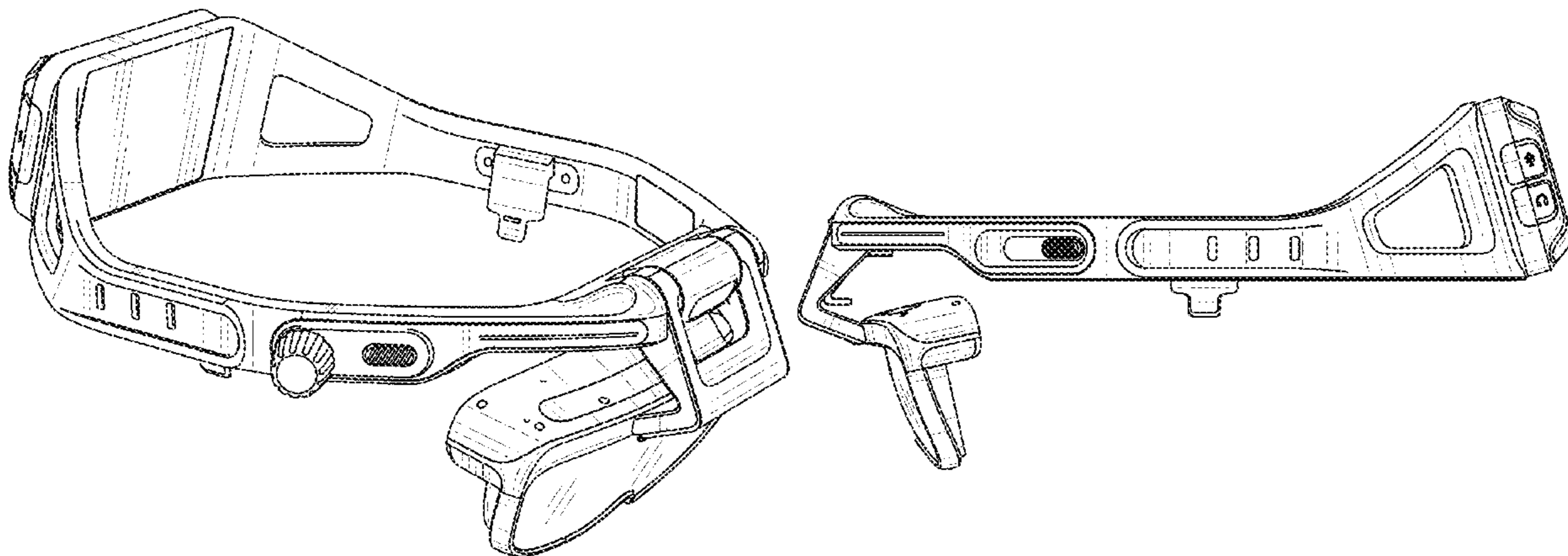
(57) **CLAIM**

The ornamental design for a head mounted augmented reality device, as shown and described.

DESCRIPTION

FIG. 1 is a top perspective view of a head mounted augmented reality device, showing our new design; FIG. 2 is a bottom perspective view thereof; FIG. 3 is a top view thereof; FIG. 4 is a bottom view thereof; FIG. 5 is a left view thereof; FIG. 6 is a right view thereof; and, FIG. 7 is a front view thereof.

1 Claim, 7 Drawing Sheets



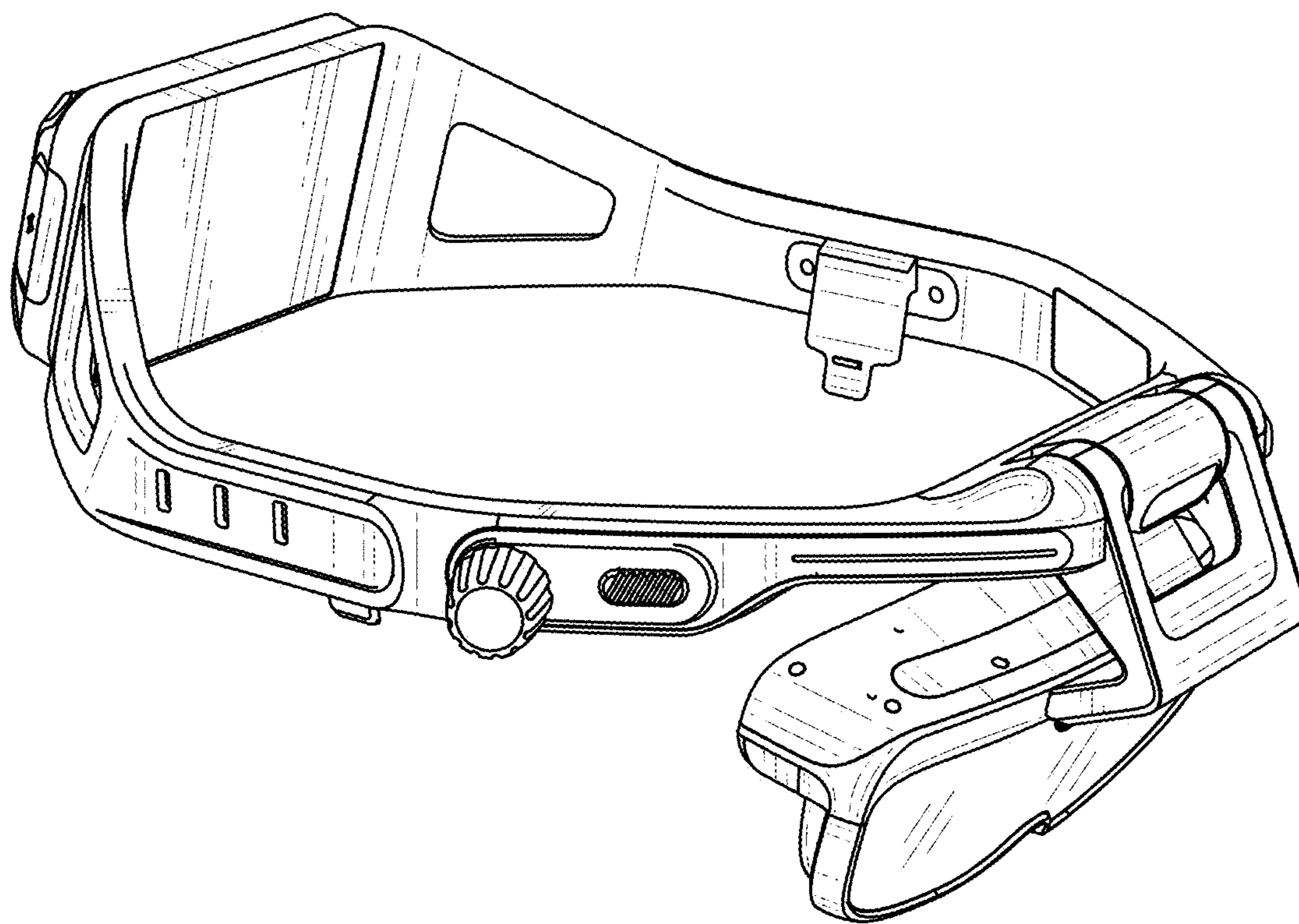


FIG. 1

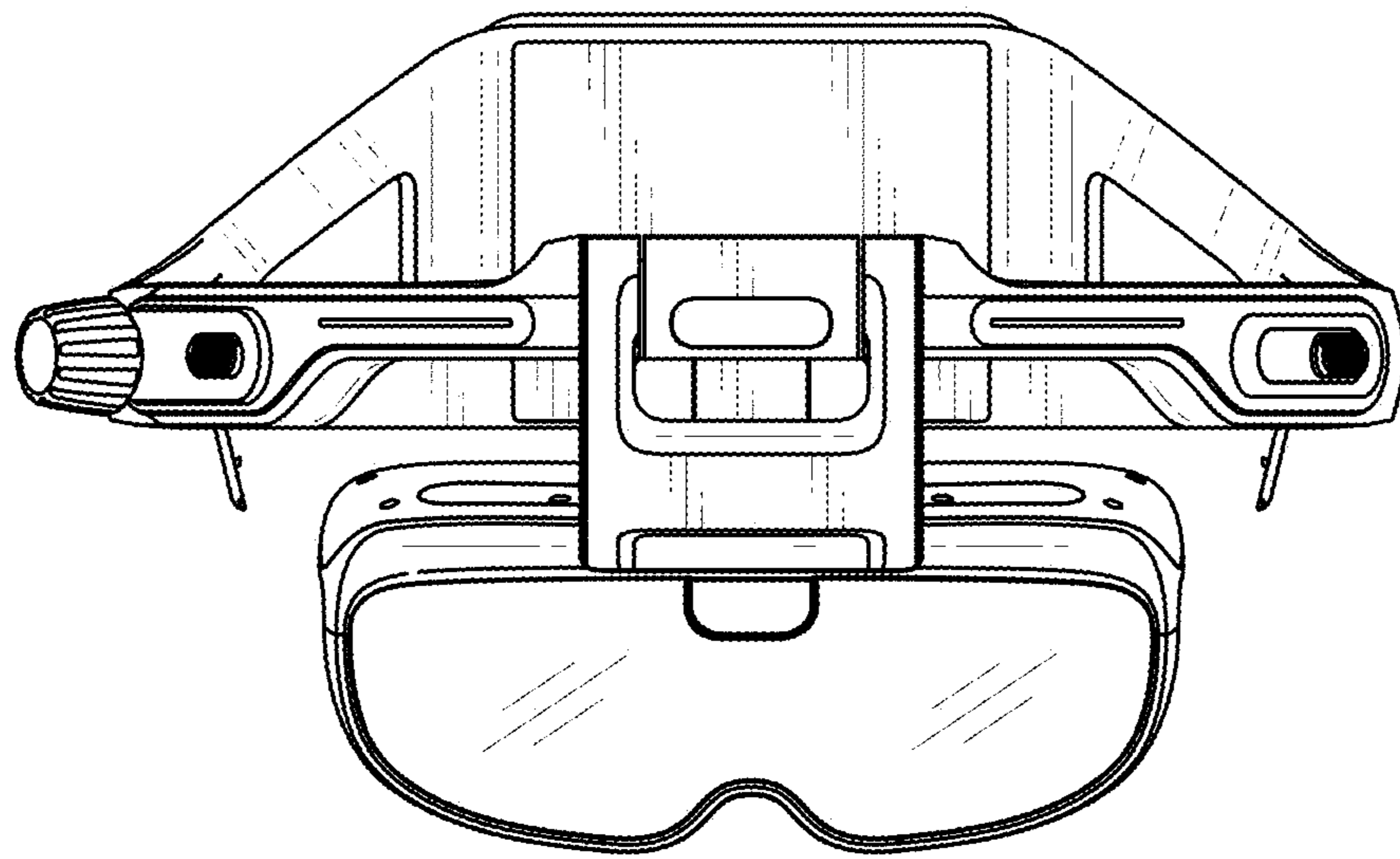


FIG. 2

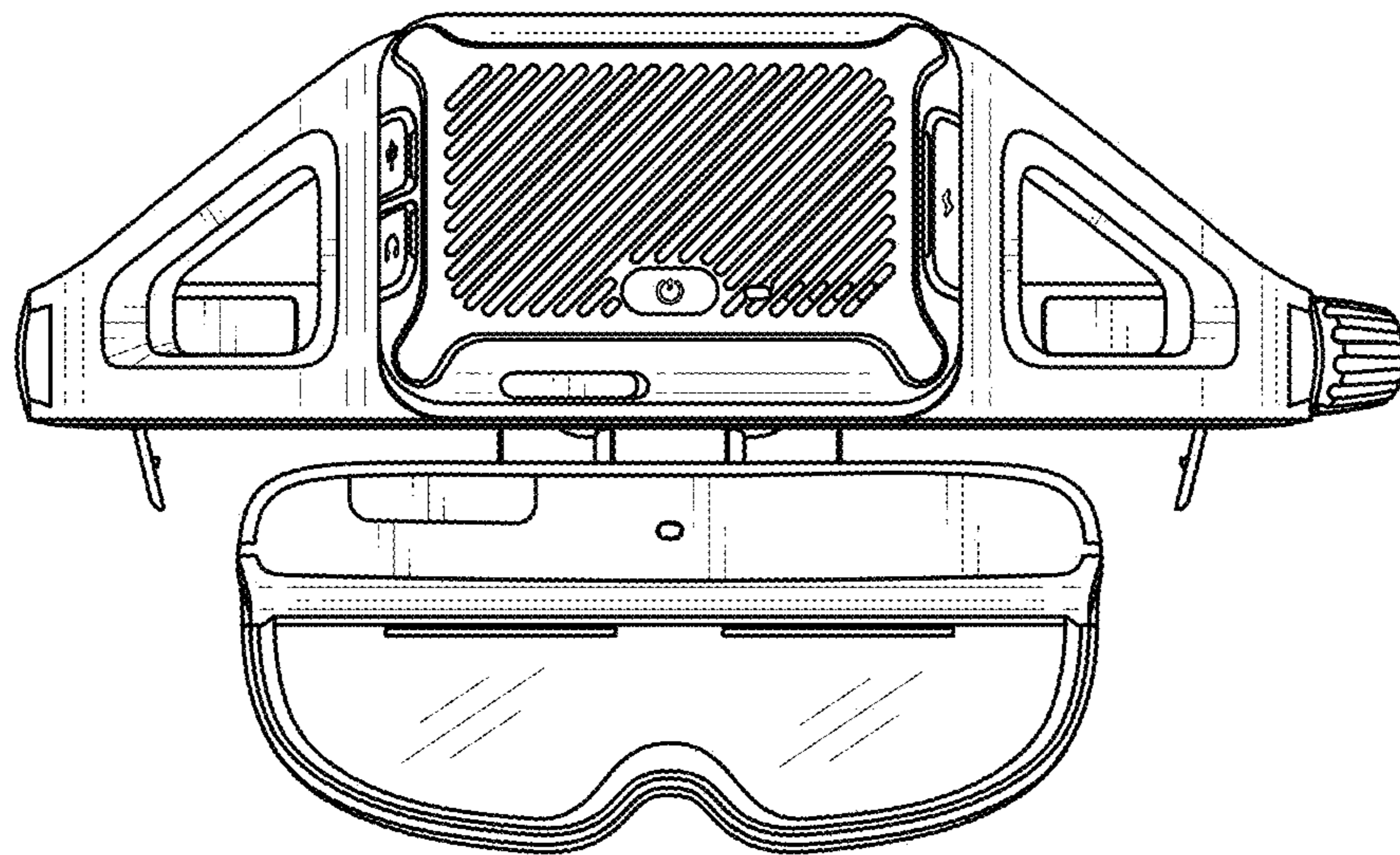


FIG. 3

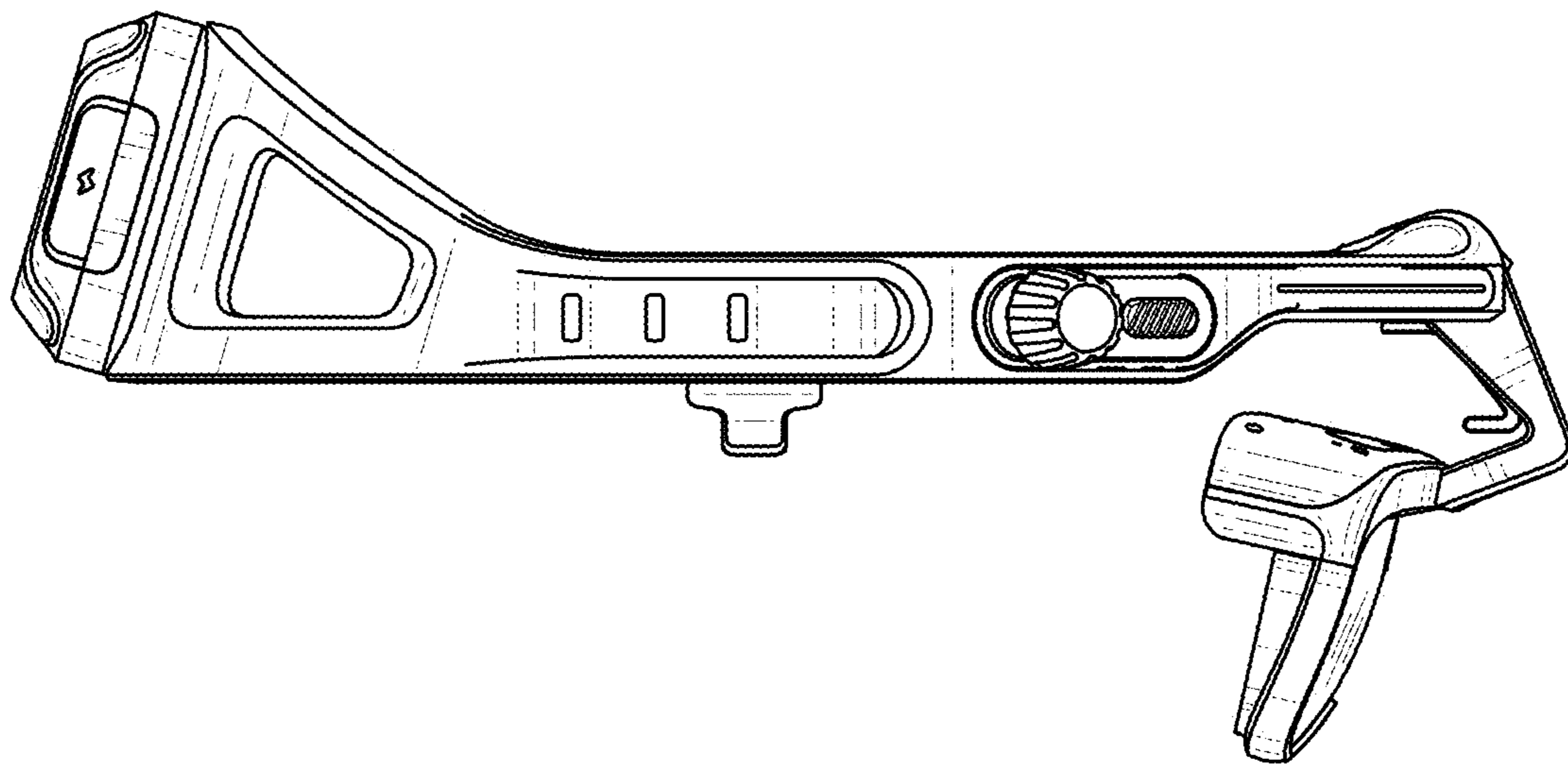


FIG. 4

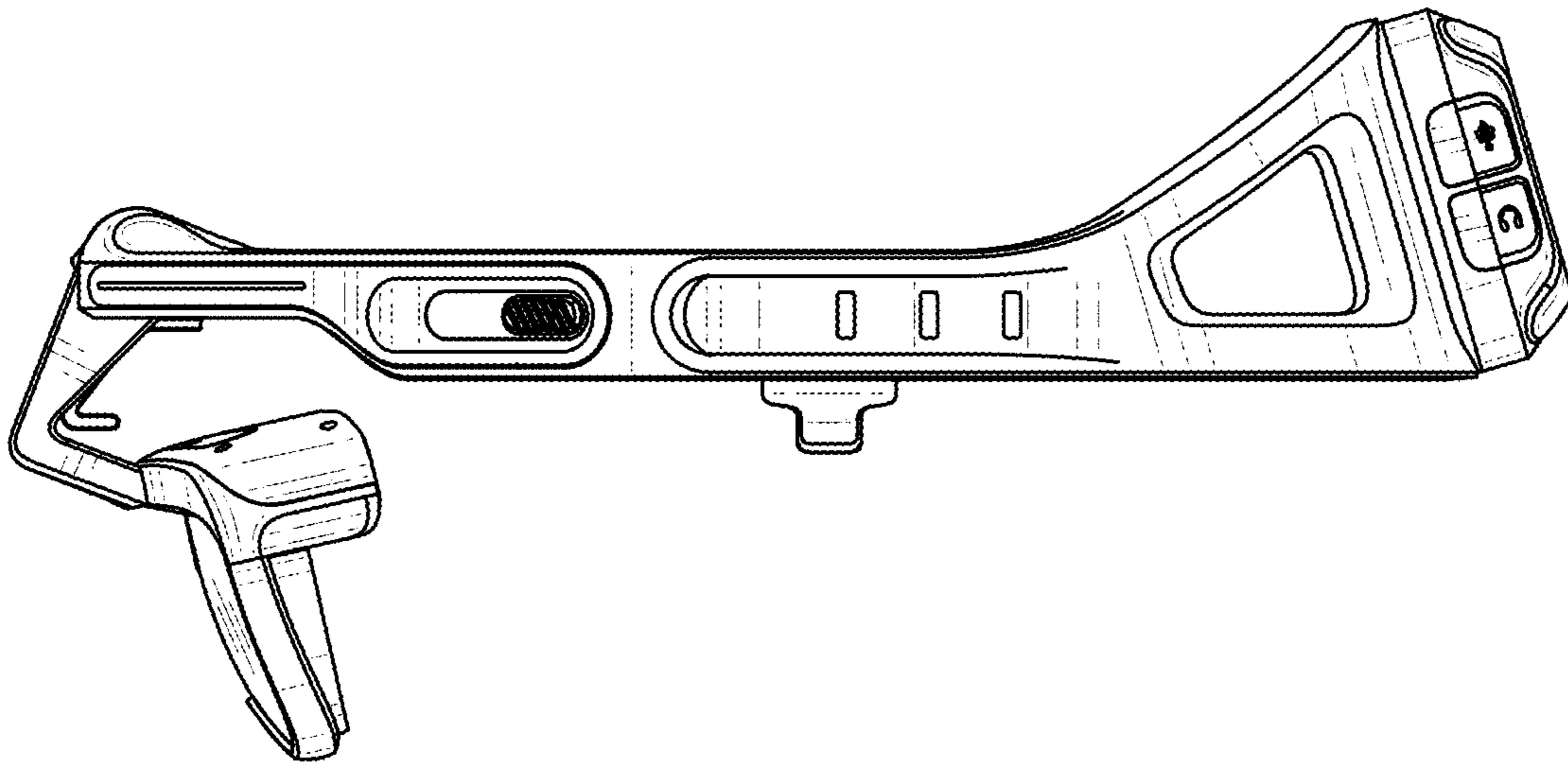


FIG. 5

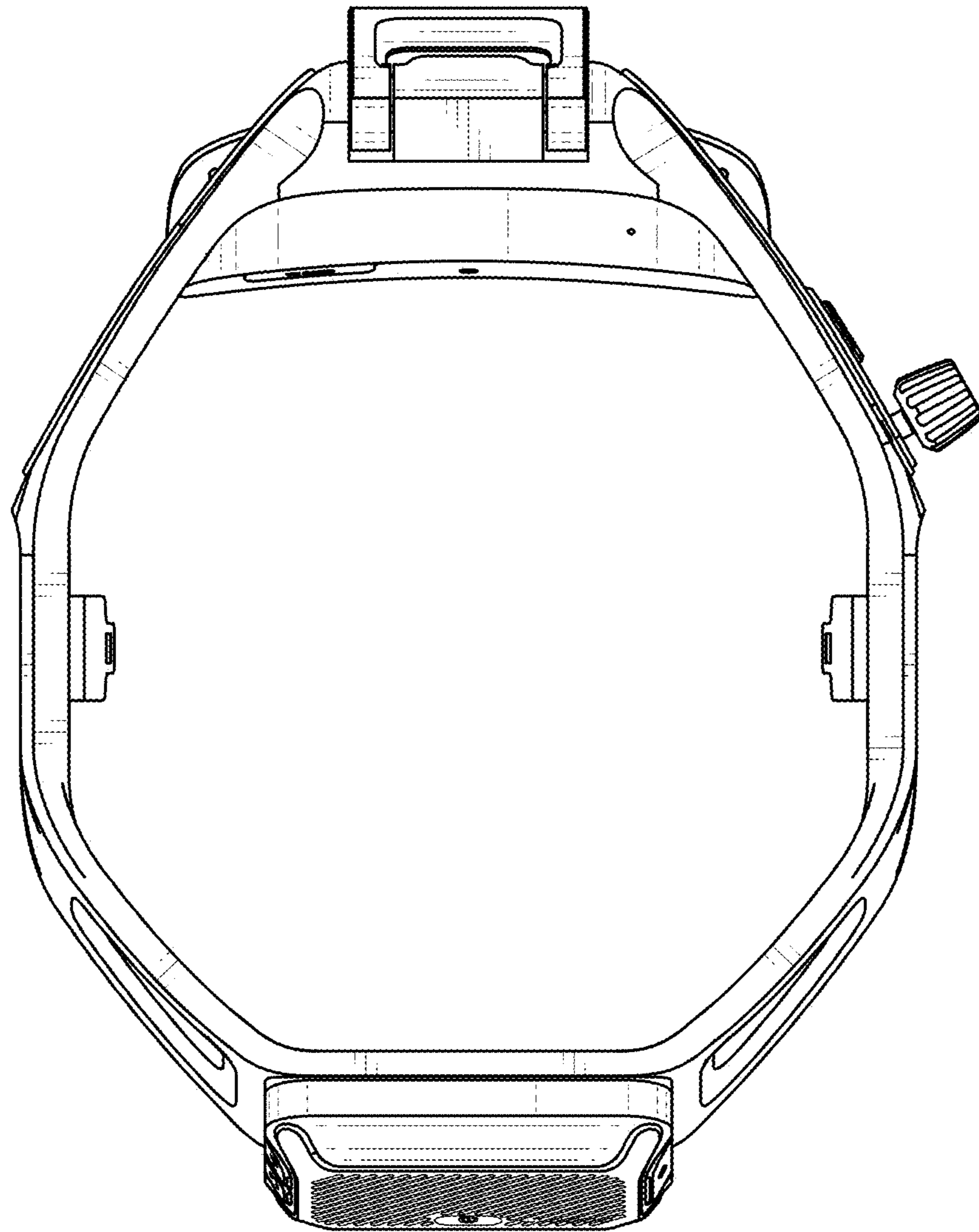


FIG. 6

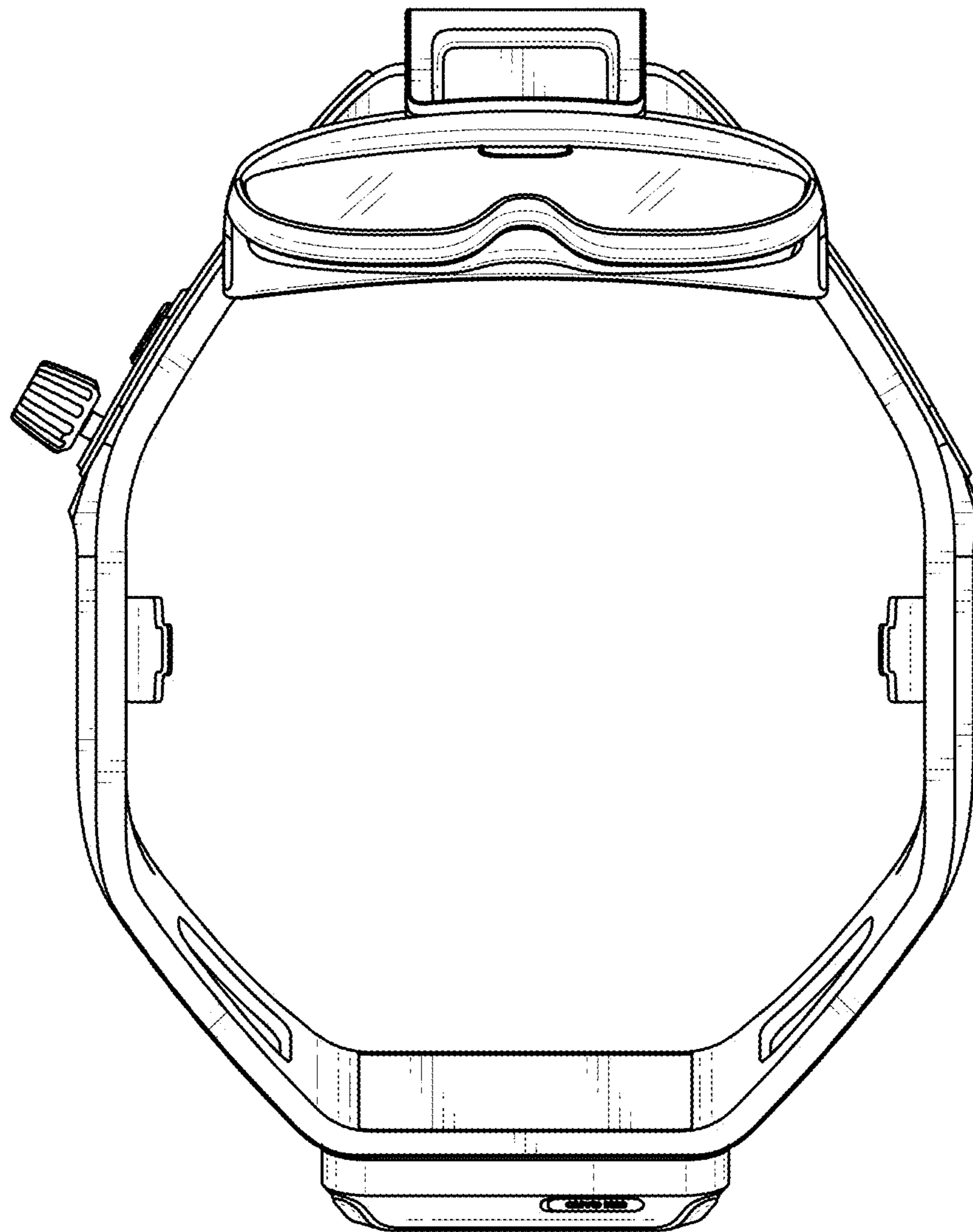


FIG. 7