



US00D956748S

(12) **United States Design Patent**
De et al.

(10) **Patent No.:** **US D956,748 S**

(45) **Date of Patent:** **** Jul. 5, 2022**

(54) **HEAD MOUNT DISPLAY**

(71) Applicant: **Panasonic Intellectual Property Management Co., Ltd., Osaka (JP)**

(72) Inventors: **Pinakesh De, Kyoto (JP); Ryoichi Yagi, Osaka (JP)**

(73) Assignee: **Panasonic Intellectual Property Management Co., Ltd., Osaka (JP)**

(**) Term: **15 Years**

(21) Appl. No.: **29/770,645**

(22) Filed: **Feb. 15, 2021**

(30) **Foreign Application Priority Data**

Nov. 4, 2020 (JP) 2020-023784 D

(51) **LOC (13) Cl.** **14-02**

(52) **U.S. Cl.**
USPC **D14/372**

(58) **Field of Classification Search**
USPC D14/372, 496, 432, 371, 125, 126, 129,
D14/299; D16/300-342; 351/158, 153,
351/144; 345/7-9, 905; 455/344;
348/115, 53, 121, 739
CPC G02B 27/017; G02B 27/0158; G02B
27/0161; G02B 27/0181; G02B 27/0185;
G02B 27/0189
See application file for complete search history.

(56) **References Cited**

U.S. PATENT DOCUMENTS

D796,506 S * 9/2017 Natsume D14/372
D819,026 S 5/2018 Limaye et al.
D840,396 S 2/2019 Zhou
D845,296 S * 4/2019 Natsume D14/372

D857,693 S * 8/2019 Natsume D14/372
D861,683 S 10/2019 Chou et al.
D862,464 S * 10/2019 Natsume D14/372
D875,729 S * 2/2020 Natsume D14/372
D918,905 S * 5/2021 Osterhout D14/372
D918,906 S * 5/2021 Natsume D14/372
D931,854 S * 9/2021 De D14/372
D931,855 S * 9/2021 De D14/372
D944,246 S * 2/2022 Natsume D14/372
D944,247 S * 2/2022 Cho D14/372
D947,186 S * 3/2022 Osterhout D14/372
2013/0235331 A1 * 9/2013 Heinrich G02C 11/10
351/158

FOREIGN PATENT DOCUMENTS

JP D1662752 6/2020

* cited by examiner

Primary Examiner — Austin Murphy

(74) *Attorney, Agent, or Firm* — Panasonic IP Management; Kerry S. Culpepper

(57) **CLAIM**

We claim the ornamental design for a head mount display, as shown and described.

DESCRIPTION

FIG. 1 is a front perspective view of a head mount display of the present invention;
FIG. 2 is a rear perspective view thereof;
FIG. 3 is a front view thereof;
FIG. 4 is a rear view thereof;
FIG. 5 is a first side view thereof;
FIG. 6 is a second side view thereof;
FIG. 7 is a top view thereof; and,
FIG. 8 is a bottom view thereof.

The broken lines in the drawings represent portions of the head mount display that form no part of the claimed design.

1 Claim, 8 Drawing Sheets

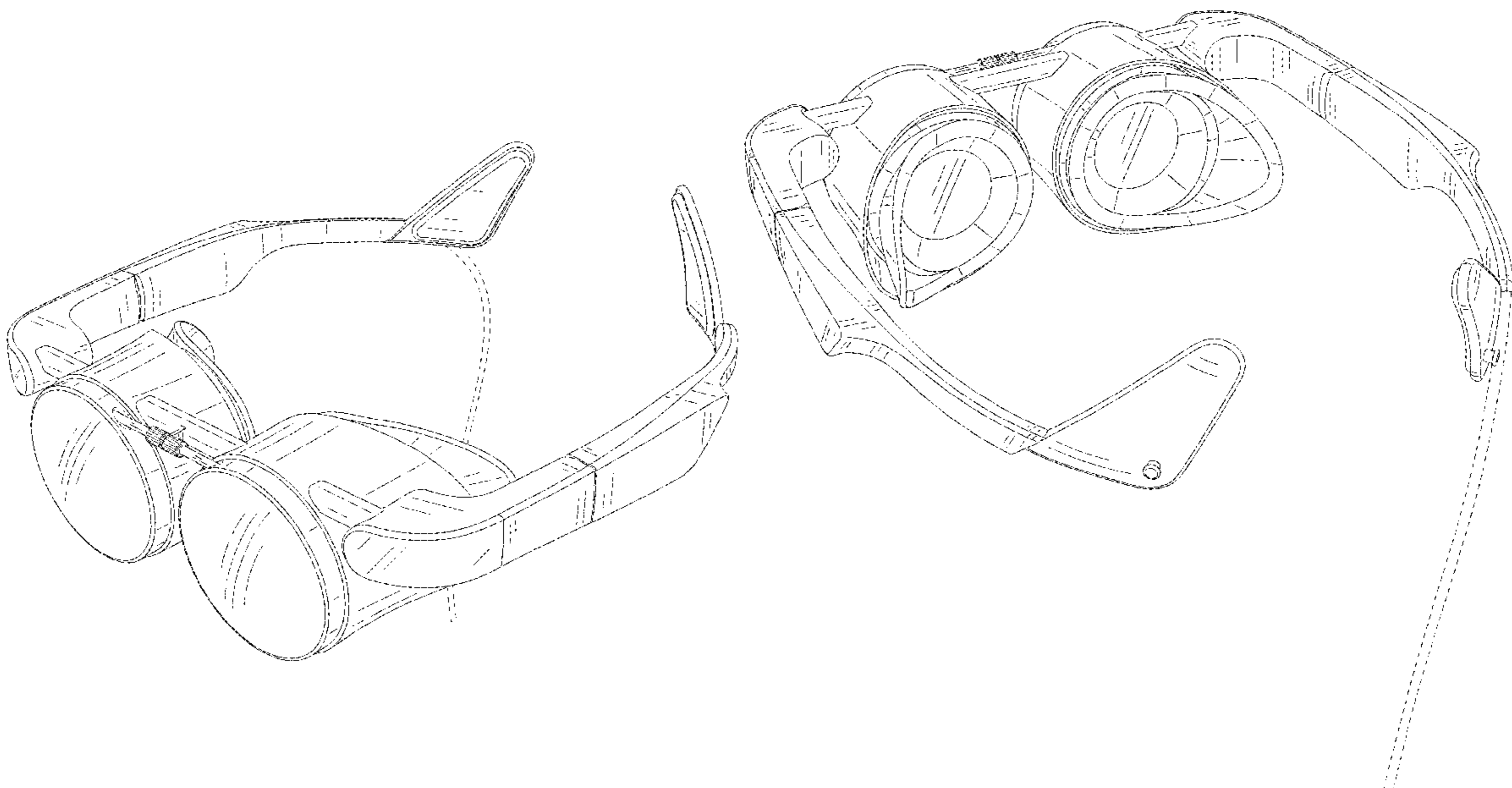


FIG. 1

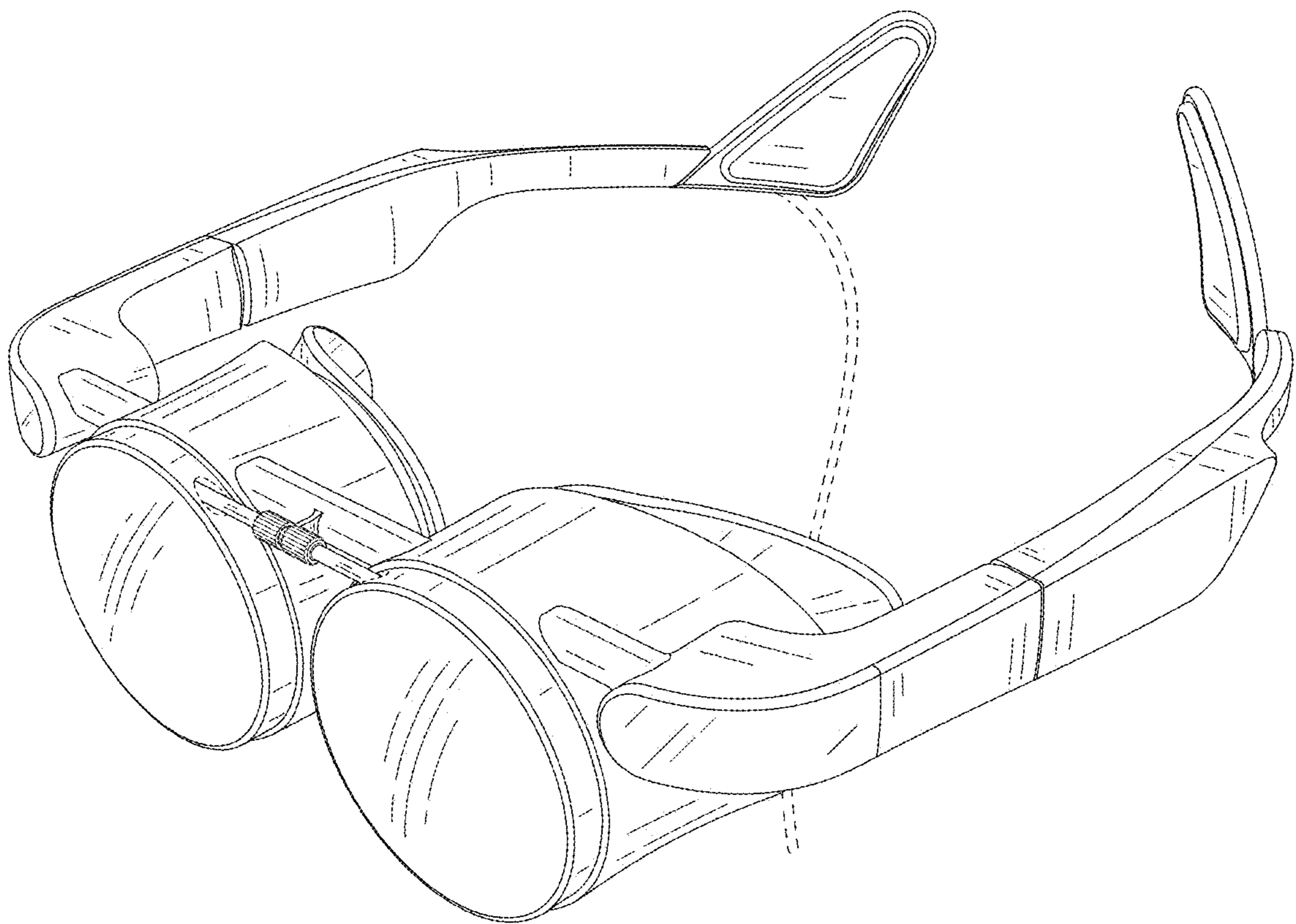


FIG. 2

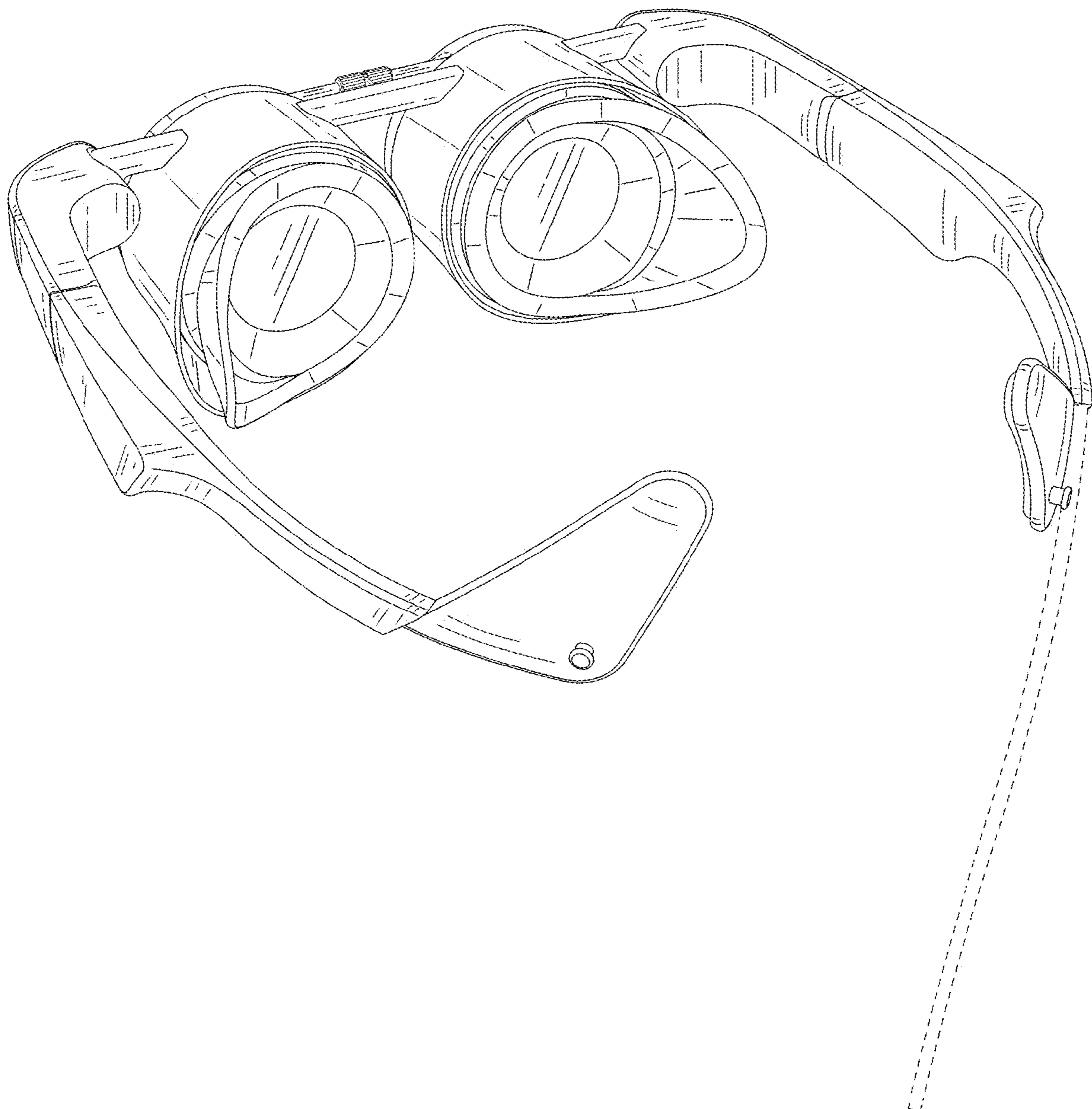


FIG. 3

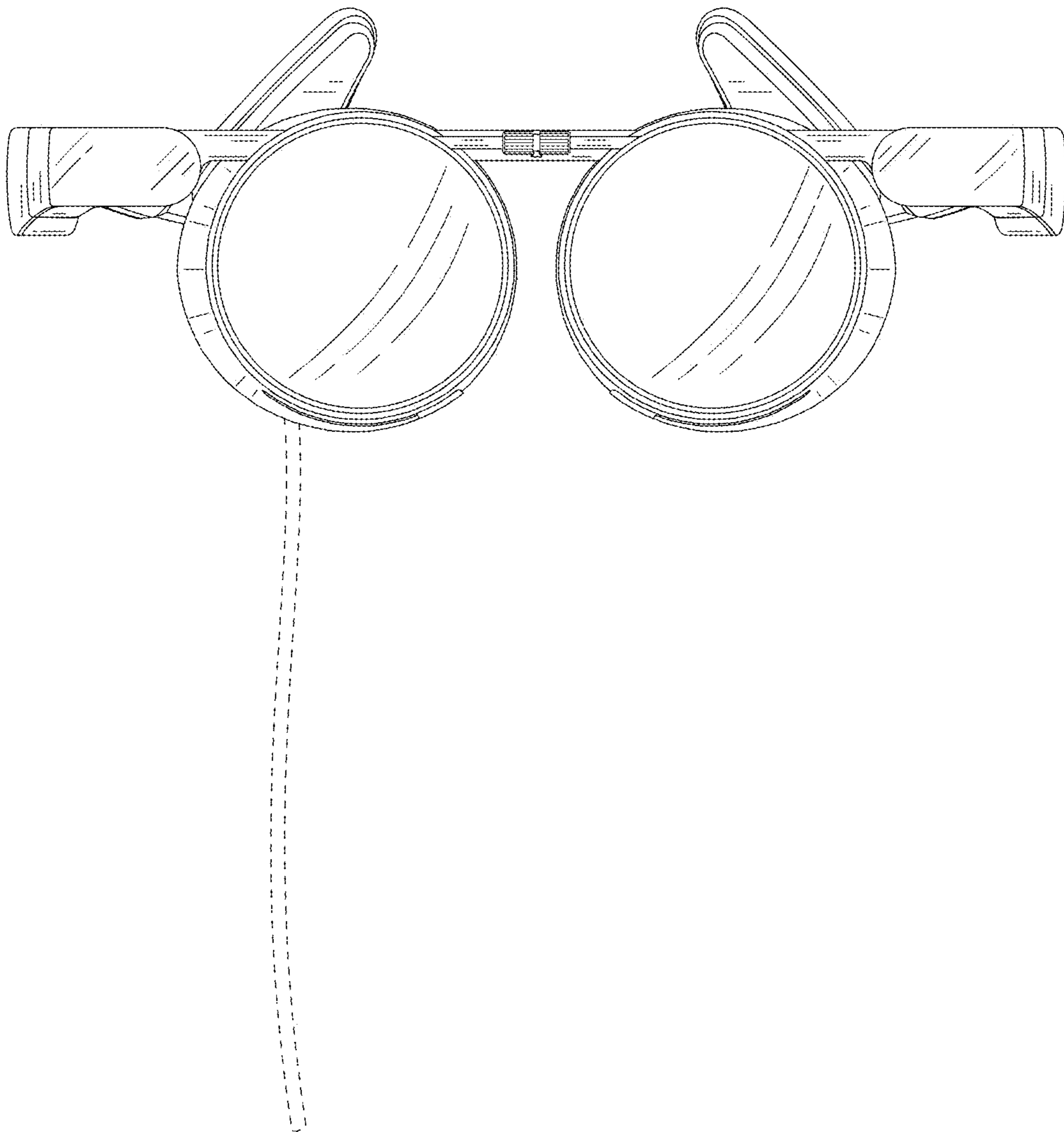


FIG. 4

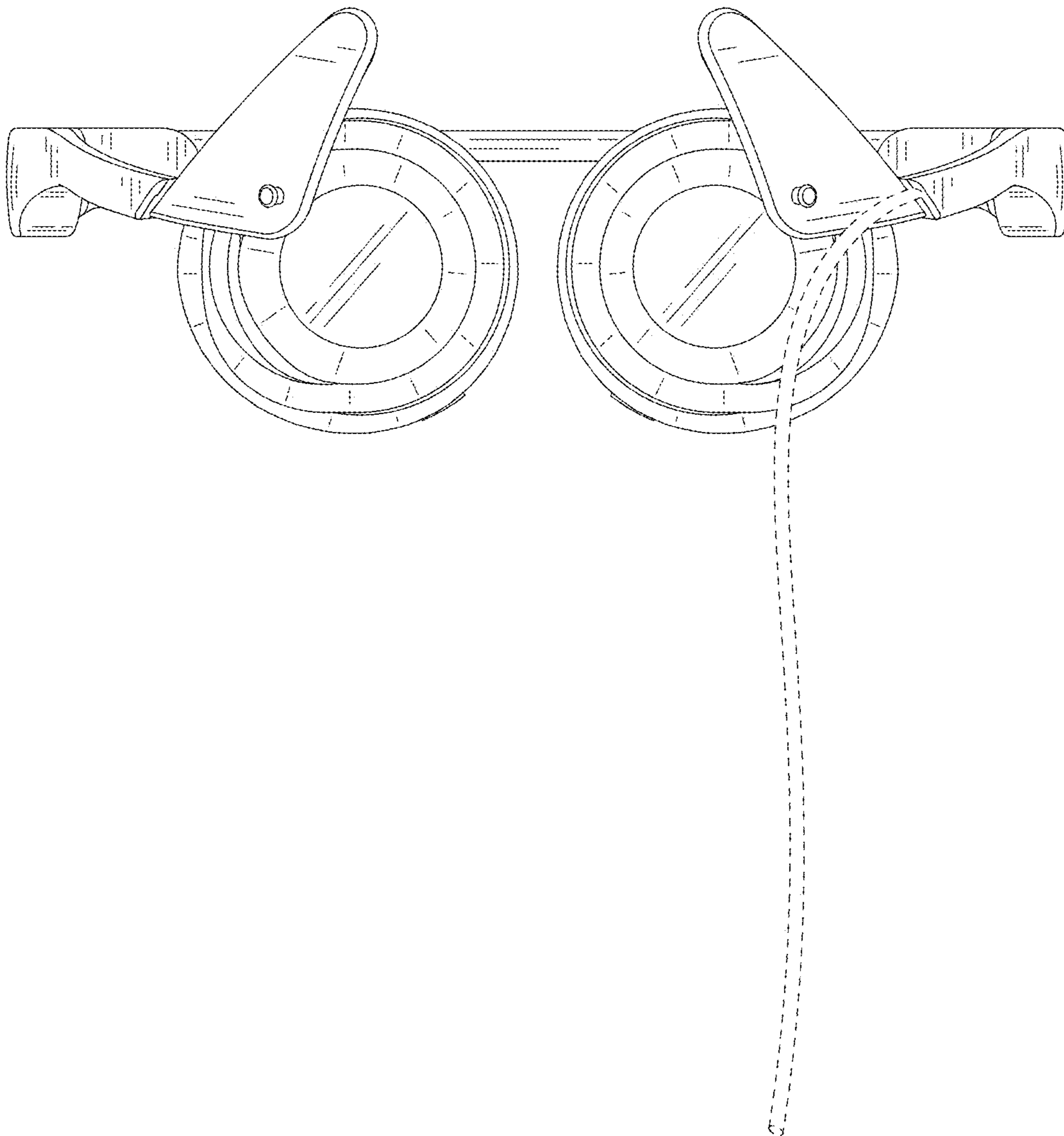


FIG. 5

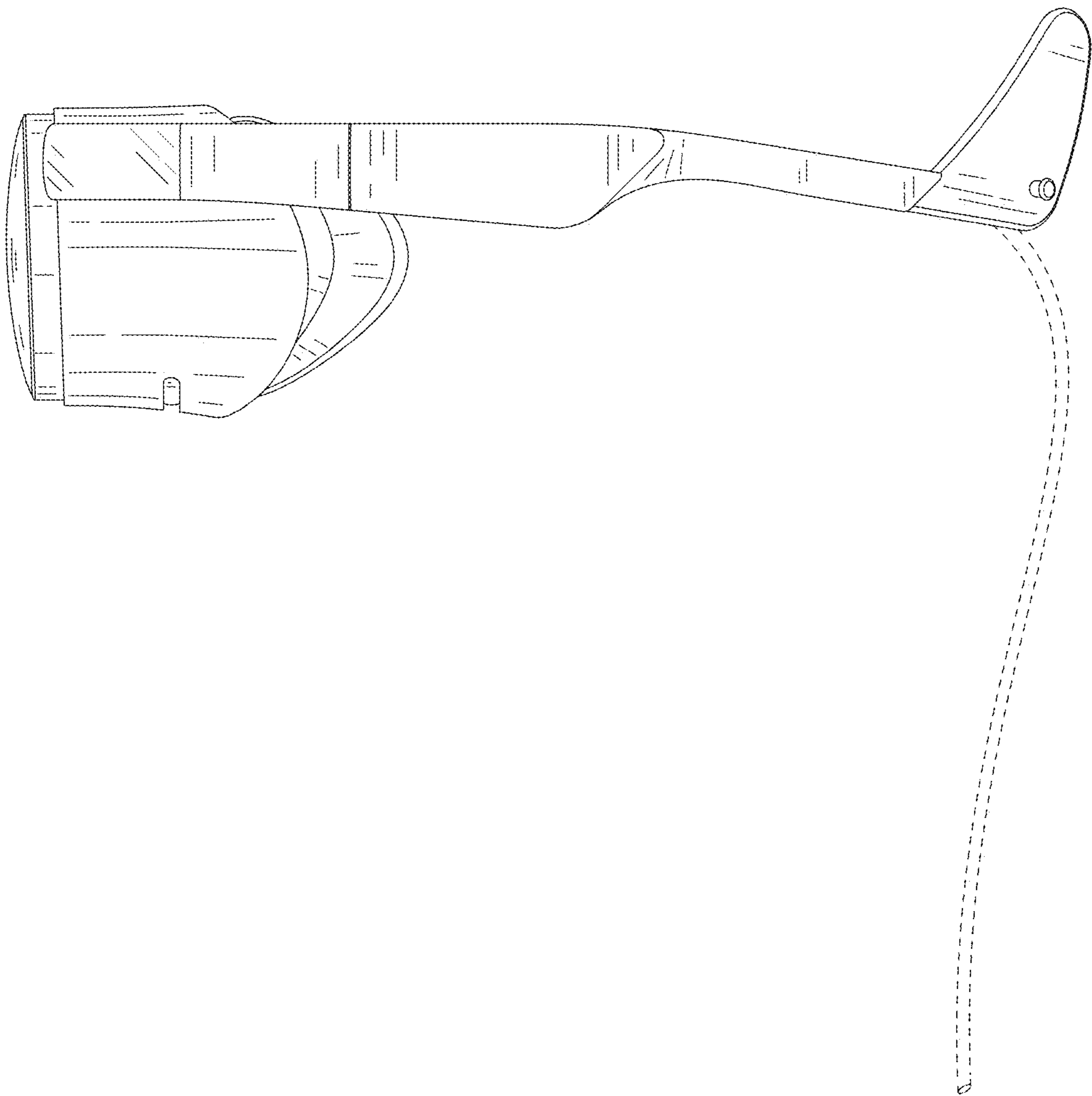


FIG. 6

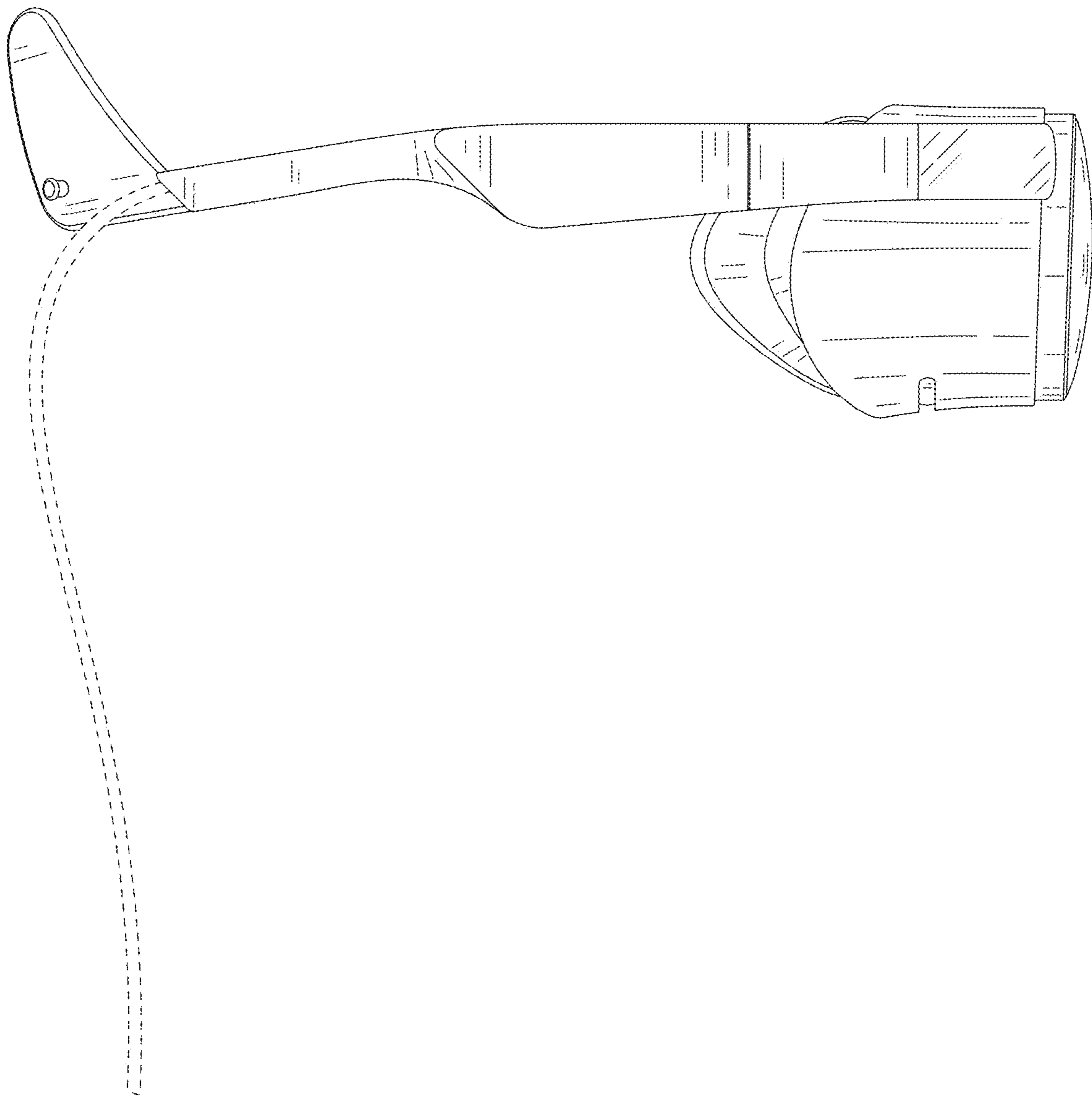


FIG. 7

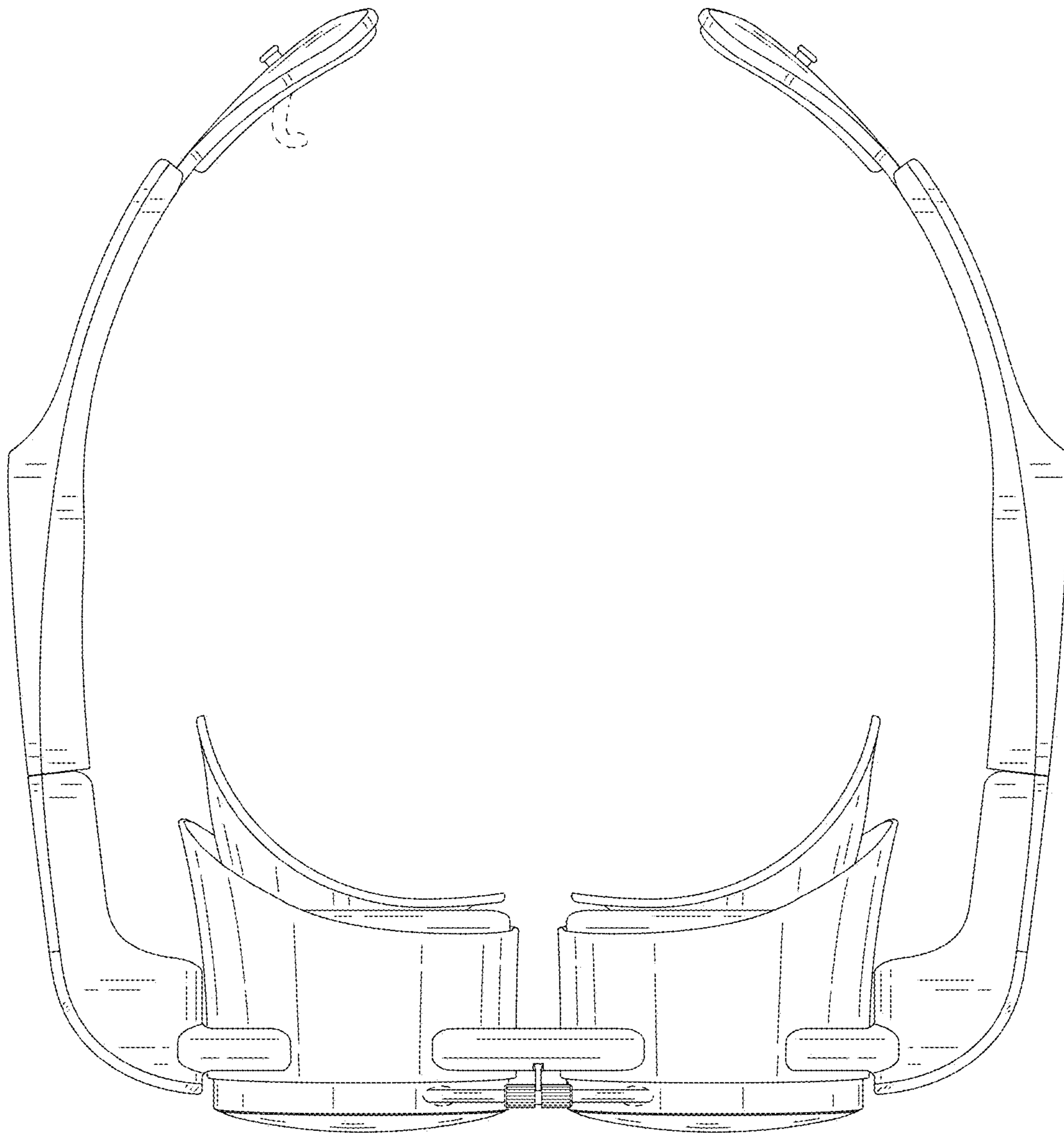


FIG. 8

