



US00D956746S

(12) **United States Design Patent**  
**Uchida**

(10) **Patent No.:** **US D956,746 S**

(45) **Date of Patent:** **\*\* Jul. 5, 2022**

(54) **DISPLAY**

(71) Applicant: **SONY CORPORATION**, Tokyo (JP)

(72) Inventor: **Ryota Uchida**, Tokyo (JP)

(73) Assignee: **SONY CORPORATION**, Tokyo (JP)

(\*\*) Term: **15 Years**

(21) Appl. No.: **29/728,305**

(22) Filed: **Mar. 17, 2020**

(51) **LOC (13) Cl.** ..... **14-02**

(52) **U.S. Cl.**  
USPC ..... **D14/371**

(58) **Field of Classification Search**  
USPC ..... D14/371, 373, 125-128, 217, 374, 900,  
D14/341, 344-345, 348-349, 351-359,  
D14/363, 440-442, 444, 446, 478,  
D14/381-382; D13/107; D10/30, 103,  
D10/123, 125, 132; D16/101, 216-217;  
D20/10, 15, 17, 19-20, 22, 27, 40, 42-44,  
D20/99; D6/661, 661.1-661.2, 676,  
D6/693.2-693.3, 700-702, 707.21  
CPC .... G06F 1/1626; H05K 5/0017; A63F 9/0861  
See application file for complete search history.

(56) **References Cited**

**U.S. PATENT DOCUMENTS**

- D64,995 S \* 6/1924 Lyman ..... D20/10
- 1,931,378 A \* 10/1933 Fancher ..... A63H 33/30  
434/417
- D99,822 S \* 5/1936 Newhard ..... D20/42
- 3,364,603 A \* 1/1968 Tate, Jr. .... G09F 3/18  
D20/15
- D219,800 S \* 1/1971 Novak ..... D20/15
- 4,121,719 A \* 10/1978 Wilhelm ..... B43M 99/001  
211/69.5
- D275,969 S \* 10/1984 Bowers ..... D6/661.1
- D293,984 S \* 2/1988 Finger ..... D20/15

- D293,985 S \* 2/1988 White ..... D6/676
- D300,043 S \* 2/1989 Silverman ..... D20/10
- D304,018 S \* 10/1989 Nomizu ..... D10/2
- D311,141 S \* 10/1990 Murata ..... D10/15

(Continued)

**FOREIGN PATENT DOCUMENTS**

- EM 007762497-0003 \* 7/2020
- KR 300526388.0000 \* 4/2009
- KR 301057739.0000 \* 5/2020

**OTHER PUBLICATIONS**

ELFSR1/B Spatial Reality Display, Sony, electronics.sony.com, author and date unlisted © 2021 Sony, online, site visited Apr. 28, 2021. Available at URL: <https://electronics.sony.com/spatial-reality-display/p/elfsr1-b> (Year: 2021).\*

(Continued)

*Primary Examiner* — Sandra Snapp  
*Assistant Examiner* — Altaira J Swangin  
(74) *Attorney, Agent, or Firm* — Michael Best and Friedrich LLP

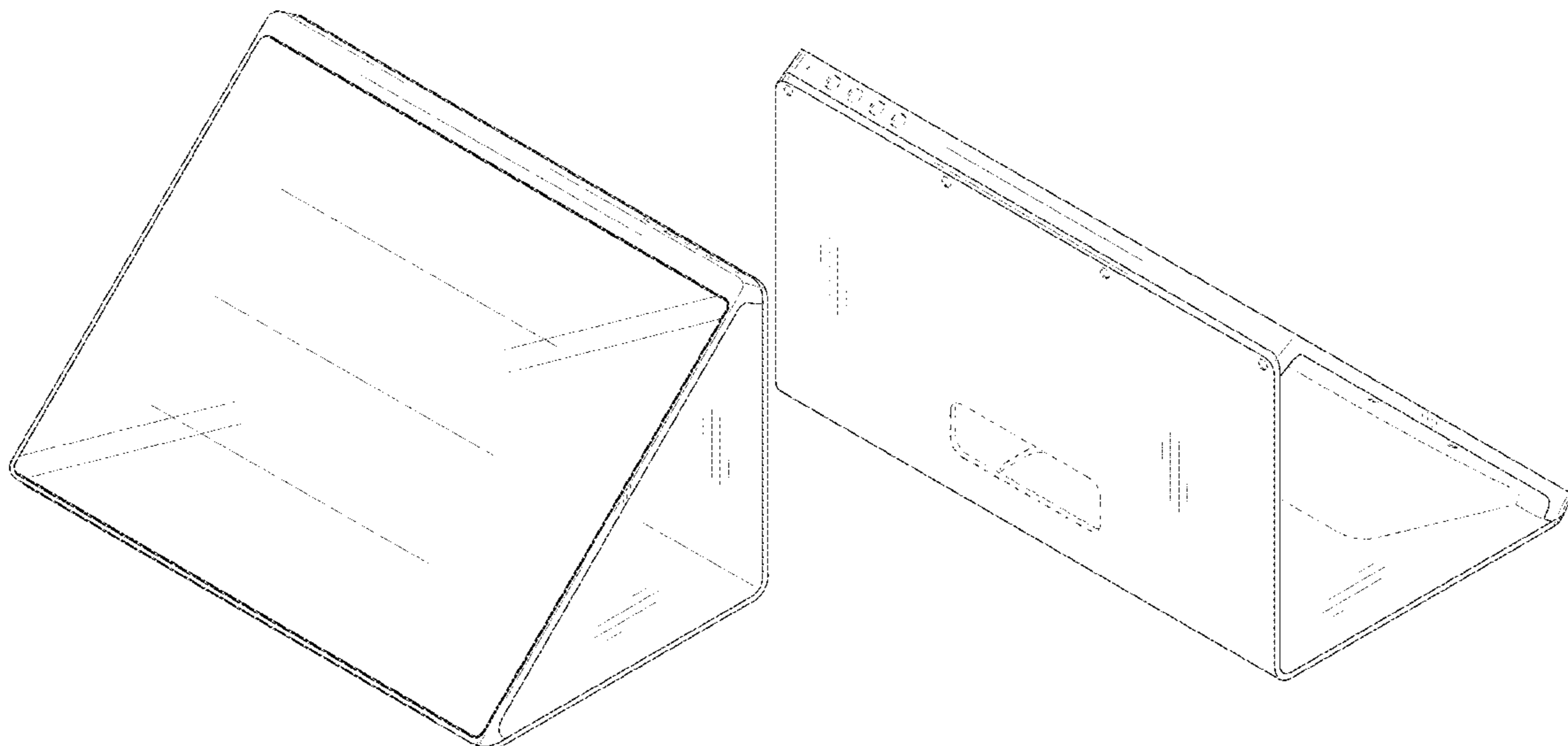
(57) **CLAIM**

The ornamental design for a display, as shown and described.

**DESCRIPTION**

FIG. 1 is a front, top, right perspective view of a display showing my new design;  
FIG. 2 is a rear, top, left perspective view thereof;  
FIG. 3 is a front elevational view thereof;  
FIG. 4 is a rear elevational view thereof;  
FIG. 5 is a left side elevational view thereof;  
FIG. 6 is a right side elevational view thereof; and  
FIG. 7 is a top plan view thereof; and,  
FIG. 8 is a bottom plan view thereof.  
The even-dash broken lines illustrating portions of the display form no part of the claimed design.

**1 Claim, 8 Drawing Sheets**



(56)

References Cited

U.S. PATENT DOCUMENTS

D314,983 S \* 2/1991 Cangiani ..... D10/113.4  
 D386,208 S \* 11/1997 Caulk ..... D20/10  
 D427,237 S \* 6/2000 Chu ..... D10/2  
 D434,079 S \* 11/2000 Sturla ..... D21/318  
 D456,020 S 4/2002 Obata et al.  
 D503,395 S \* 3/2005 Hirano ..... D14/168  
 D544,922 S \* 6/2007 Shaffer ..... D20/10  
 D546,201 S \* 7/2007 Bhavnani ..... D10/15  
 D576,578 S \* 9/2008 Calverley ..... D14/126  
 D577,206 S \* 9/2008 Chang ..... D6/300  
 D597,103 S \* 7/2009 Xiao ..... D14/500  
 D600,455 S \* 9/2009 Nell ..... D14/371  
 D656,195 S \* 3/2012 Renard ..... D20/10  
 D657,421 S \* 4/2012 Yan ..... D20/10  
 D658,175 S \* 4/2012 Goetzen ..... D14/371  
 D695,834 S \* 12/2013 Glass ..... D20/10  
 D703,216 S \* 4/2014 Klepar ..... D14/447  
 D705,357 S \* 5/2014 Markos ..... D20/10  
 D709,963 S \* 7/2014 O'Brien ..... D21/369  
 D727,863 S \* 4/2015 Sung ..... D14/126  
 D734,642 S \* 7/2015 Vasbinder ..... D7/605  
 D765,660 S \* 9/2016 Kim ..... D14/375  
 D767,925 S \* 10/2016 Blagmon, Jr. .... D6/693  
 D783,001 S \* 4/2017 Tschetter ..... D14/217  
 9,713,776 B1 \* 7/2017 Leung ..... A63H 33/006

D807,860 S \* 1/2018 Tschetter ..... D14/217  
 D817,313 S \* 5/2018 Horito ..... D14/240  
 D847,269 S \* 4/2019 Leung ..... D21/470  
 D856,410 S \* 8/2019 Lee ..... D18/4.4  
 D862,476 S \* 10/2019 Han ..... D14/440  
 D876,544 S \* 2/2020 Hwang ..... D20/21  
 D902,178 S \* 11/2020 Tschetter ..... D14/217  
 D911,748 S \* 3/2021 Luo ..... D6/601  
 D928,736 S \* 8/2021 Weng ..... D14/214  
 D937,809 S \* 12/2021 Levine ..... D14/214  
 D938,431 S \* 12/2021 Han ..... D14/440  
 D938,927 S \* 12/2021 Breuer ..... D14/126  
 2001/0016996 A1 \* 8/2001 Olson ..... A47G 1/141  
 40/789  
 2004/0130139 A1 \* 7/2004 Reising ..... B42D 3/126  
 281/33  
 2019/0066076 A1 \* 2/2019 Lee ..... G07G 1/0009

OTHER PUBLICATIONS

Digital Alarm Clock, Raercodia, amazon.com, published by Raercodia on Jun. 27, 2019 © 1996-2021 Amazon.com, Inc., online, site visited Apr. 28, 2021. Available at URL: <https://www.amazon.co.uk/Raercodia-Digital-Temperature-Humidity-Triangle/dp/B07TVJHG4N?th=1> (Year: 2019).\*

\* cited by examiner

FIG.1

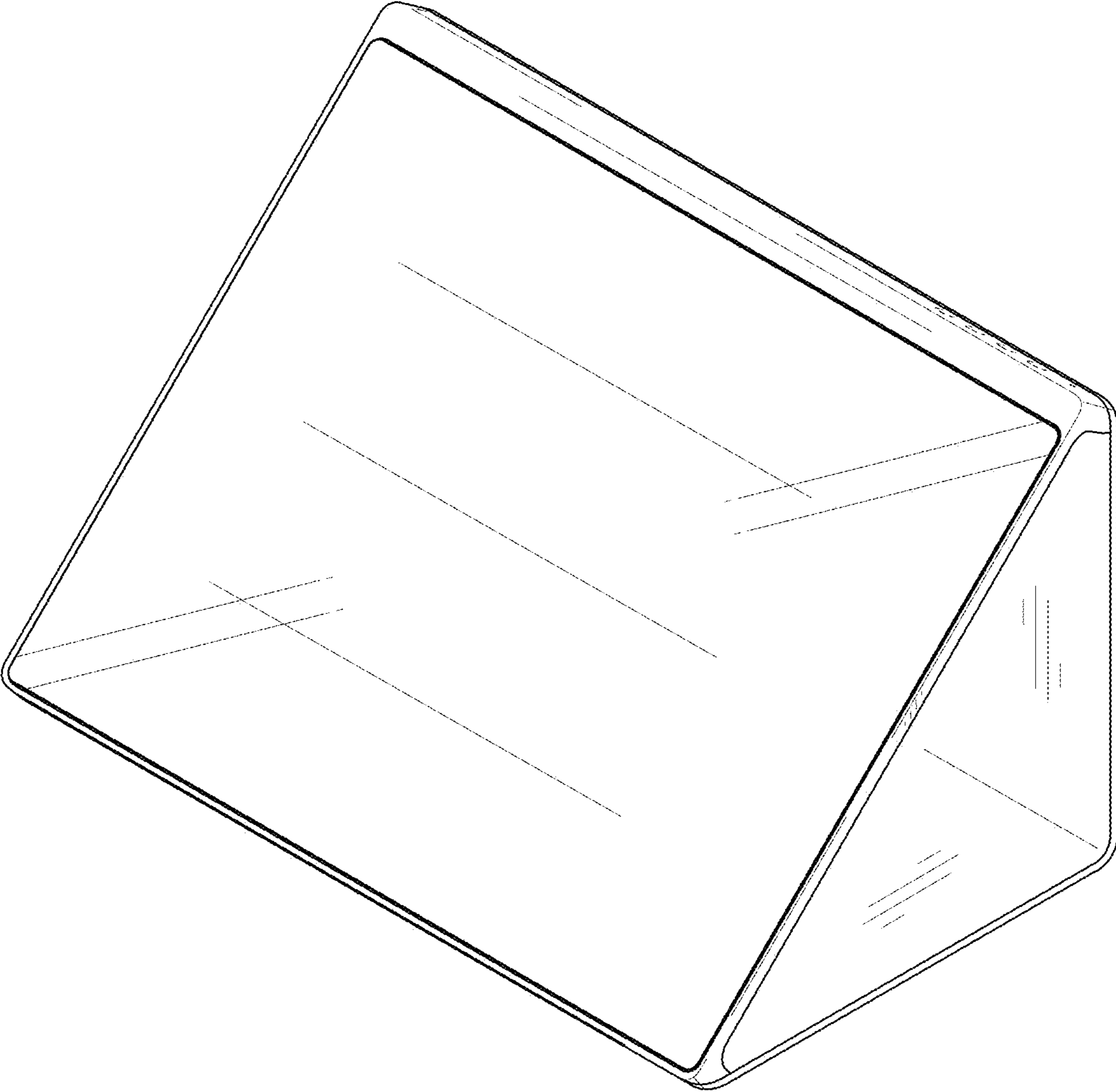


FIG.2

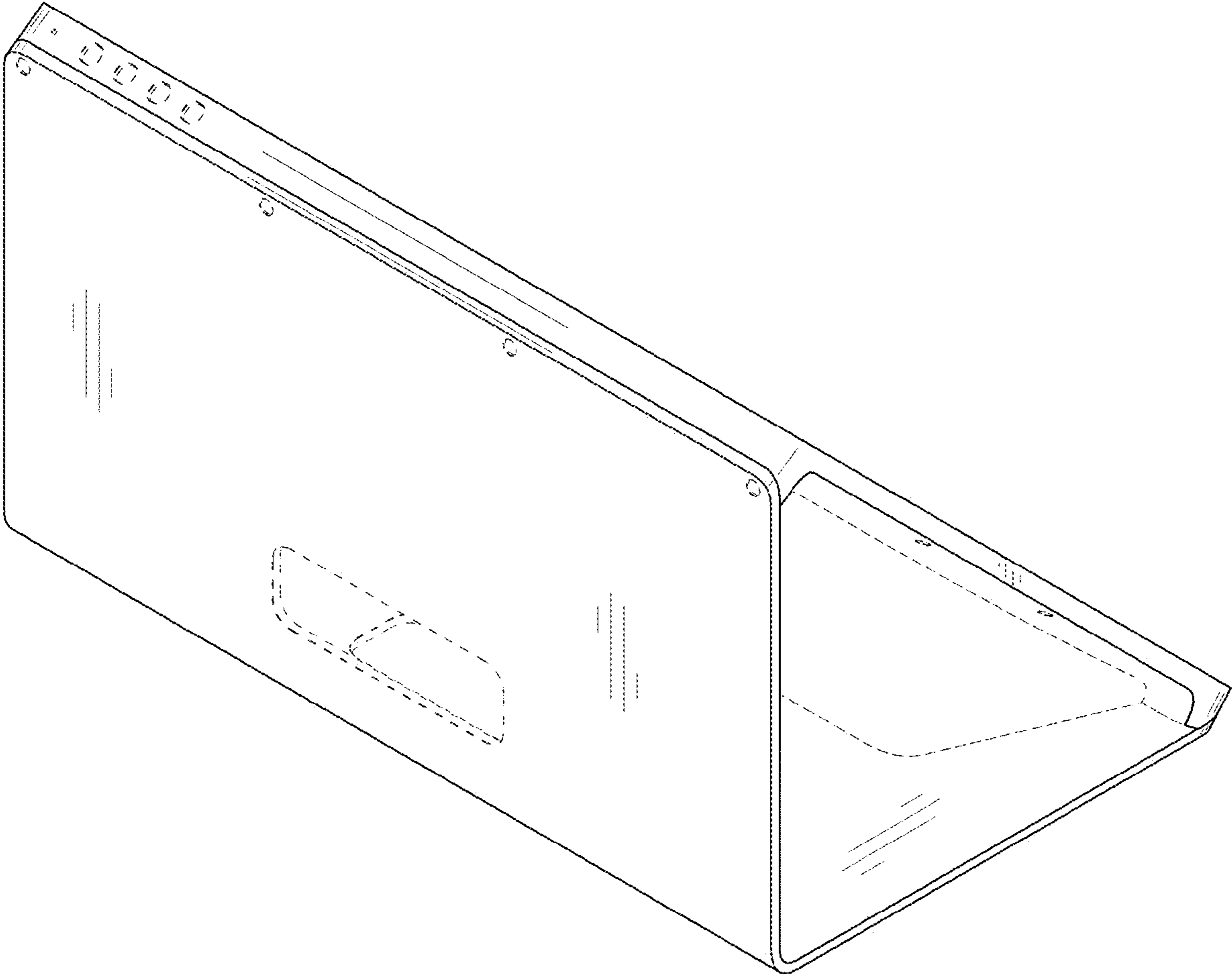


FIG.3

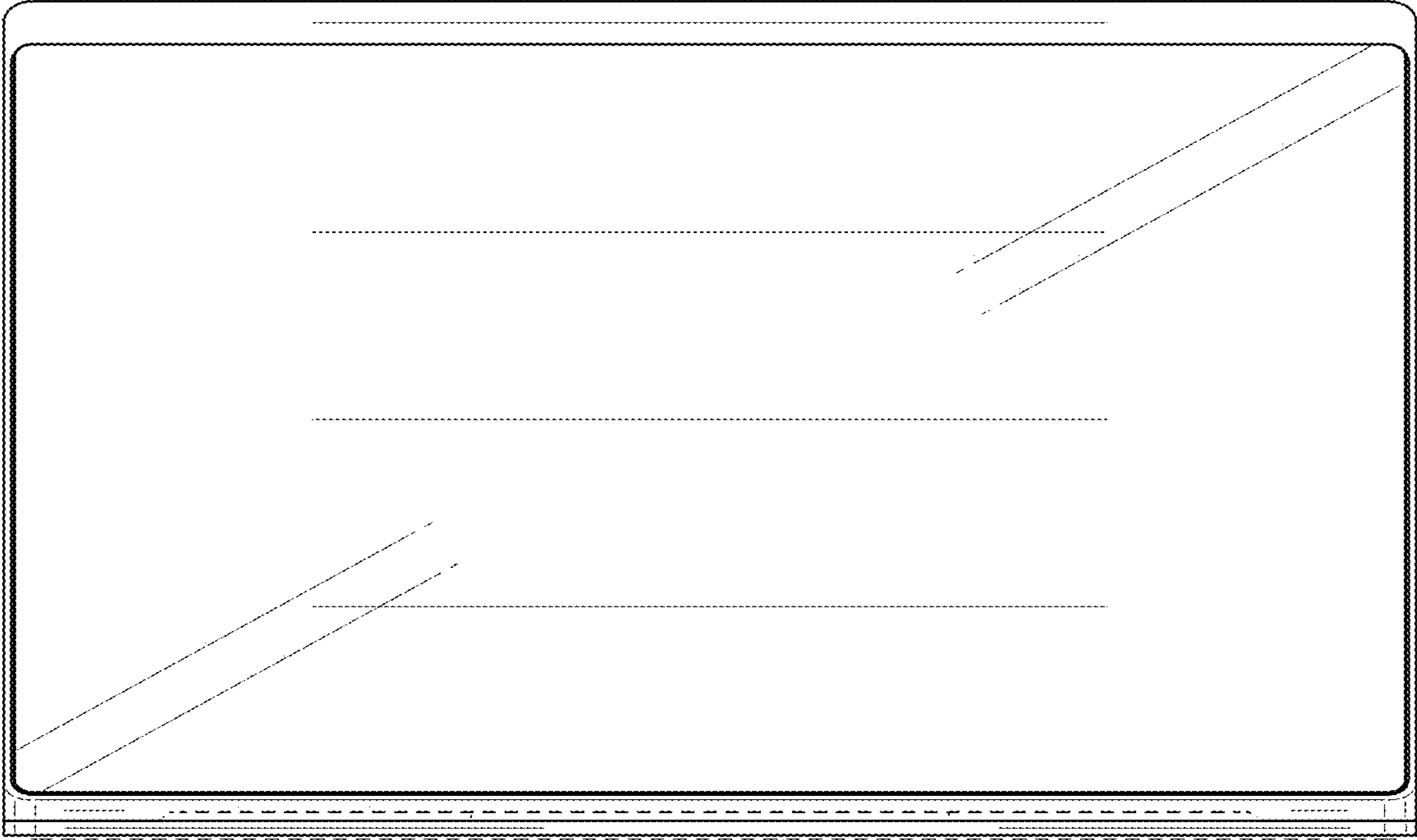


FIG.4

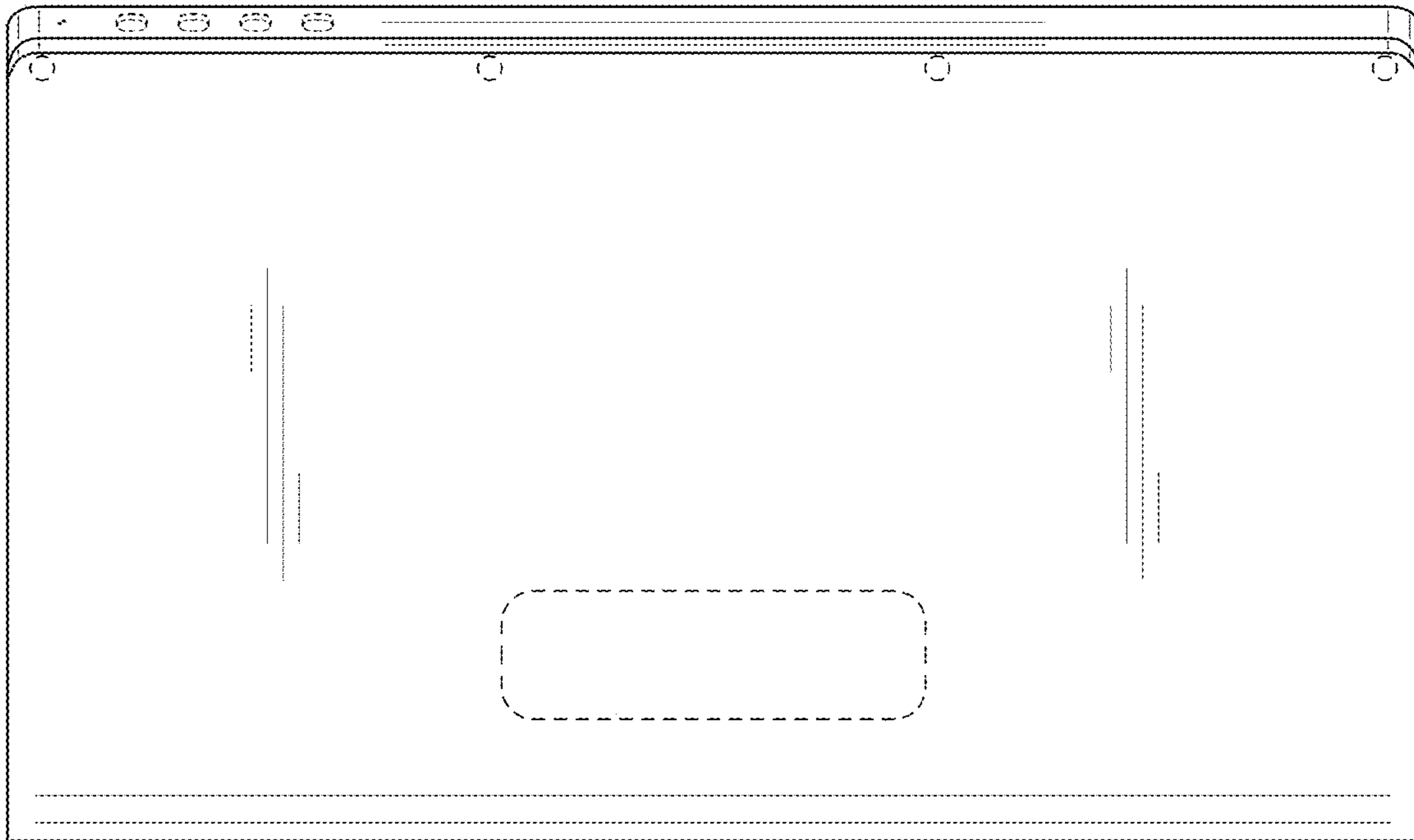


FIG.5

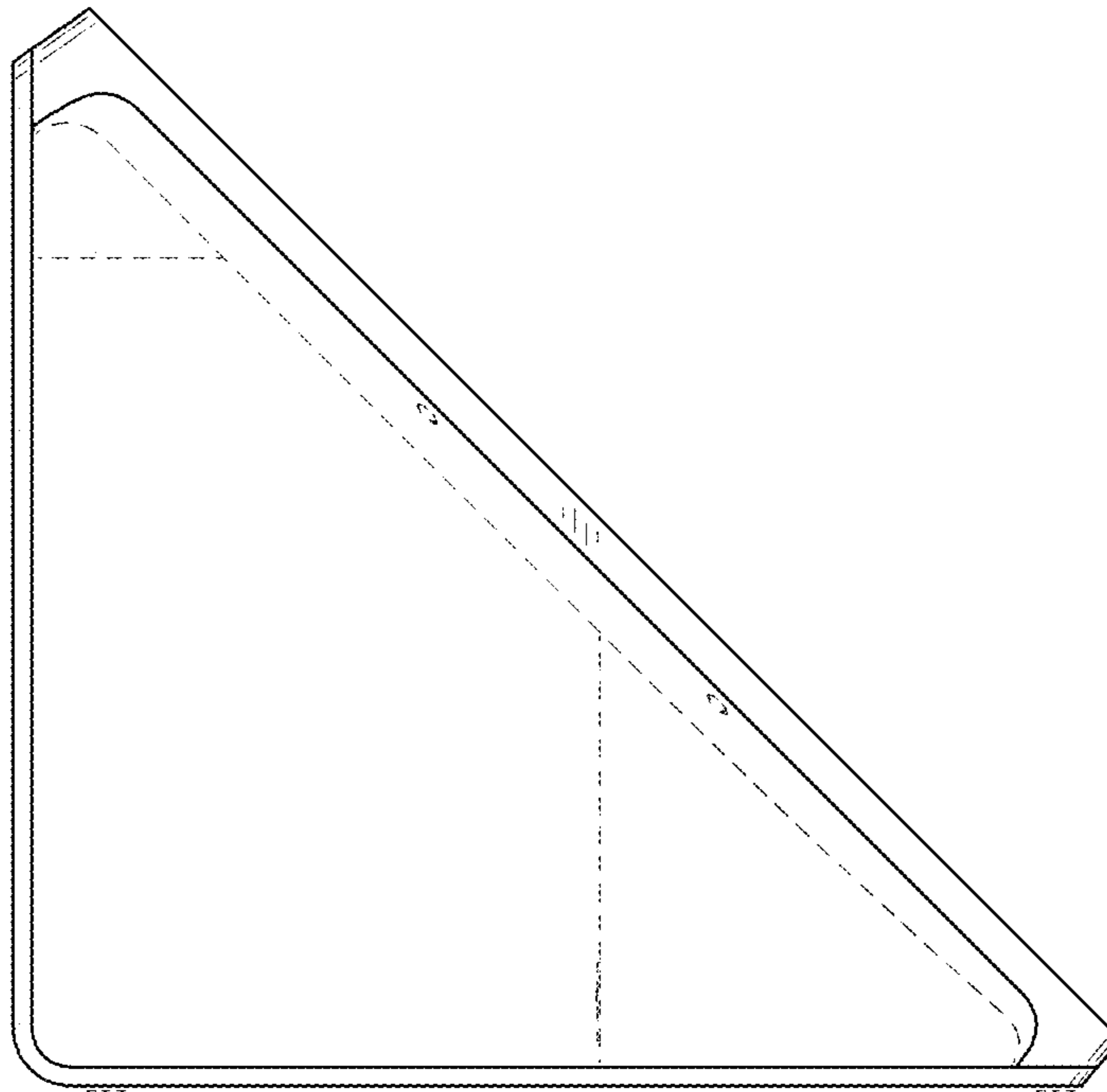


FIG.6

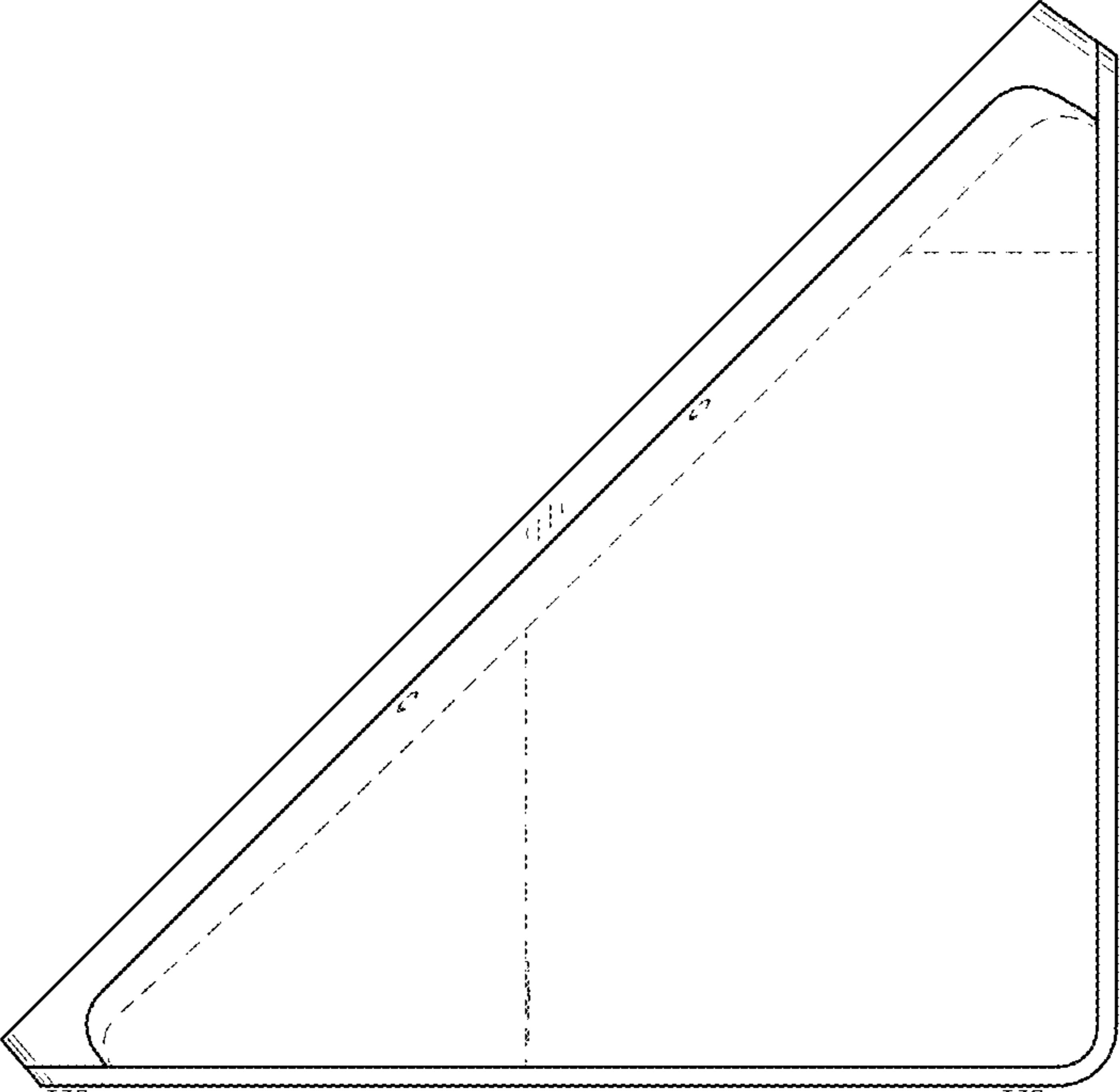




FIG.7

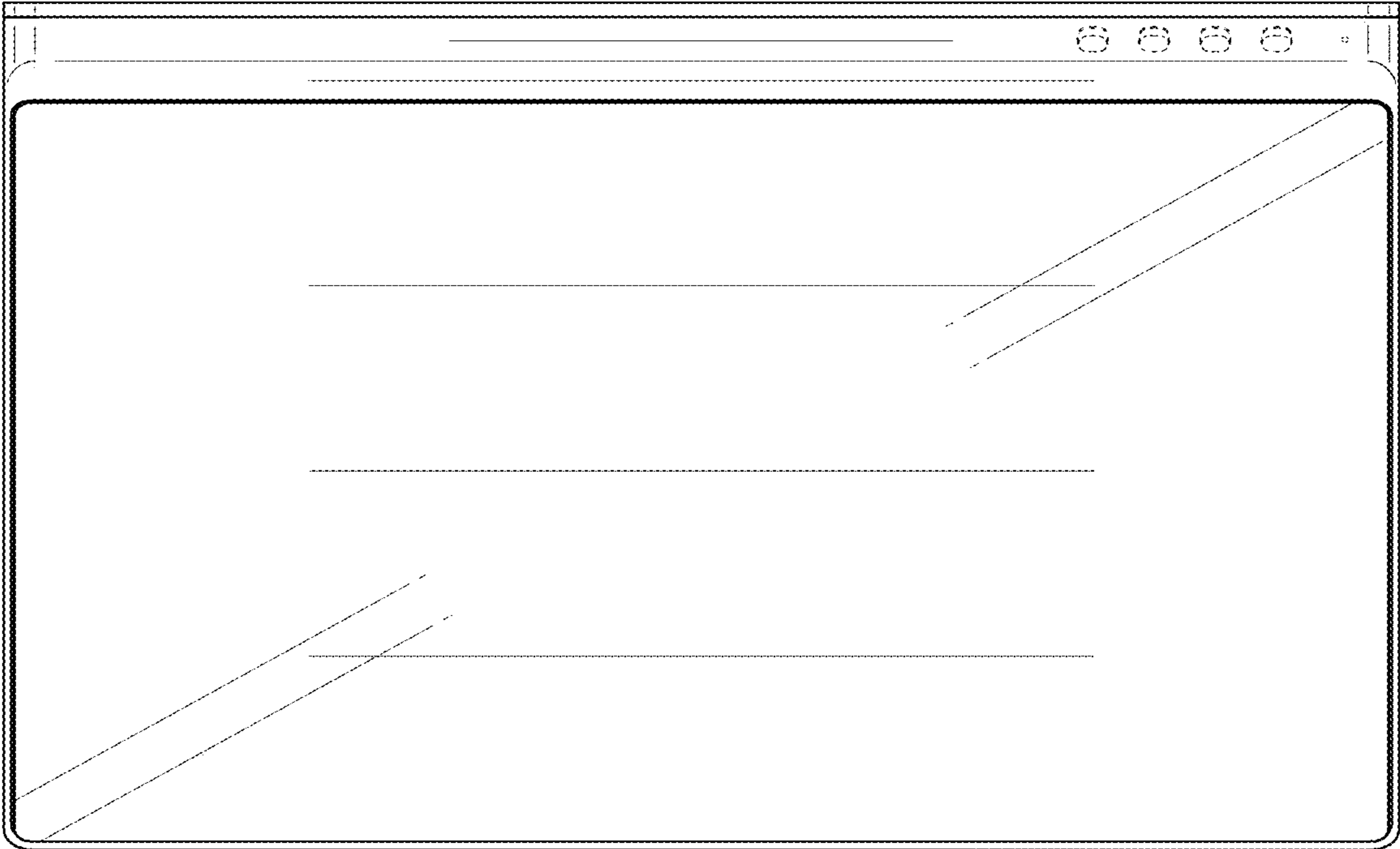


FIG.8

