



US00D956745S

(12) **United States Design Patent**  
**Cho et al.**

(10) **Patent No.:** **US D956,745 S**  
(45) **Date of Patent:** **\*\* Jul. 5, 2022**

(54) **MONITOR**

(71) Applicant: **Samsung Electronics Co., Ltd.**,  
Gyeonggi-do (KR)

(72) Inventors: **Ju-Won Cho**, Gyeonggi-do (KR);  
**Sung-Jin Ann**, Gyeonggi-do (KR)

(73) Assignee: **SAMSUNG ELECTRONICS CO., LTD.**,  
Gyeonggi-Do (KR)

(\*\*) Term: **15 Years**

(21) Appl. No.: **29/723,631**

(22) Filed: **Feb. 9, 2020**

(30) **Foreign Application Priority Data**

Aug. 30, 2019 (KR) ..... 30-2019-0041664

(51) **LOC (13) Cl.** ..... **14-02**

(52) **U.S. Cl.**  
USPC ..... **D14/371**

(58) **Field of Classification Search**  
USPC ..... D14/126, 183, 138 R, 138 AA, 138 C,  
D14/138 G, 140.11, 203.1, 203.3, 203.7,  
(Continued)

(56) **References Cited**

**U.S. PATENT DOCUMENTS**

D618,682 S \* 6/2010 Haase ..... D14/371  
D686,584 S 7/2013 Yoo et al.  
(Continued)

**FOREIGN PATENT DOCUMENTS**

CN 305326747 \* 8/2019  
EM 001366405-0001 4/2013  
(Continued)

**OTHER PUBLICATIONS**

49" CHG90 QLED Gaming Monitor, Samsung, samsung.com,  
author and date unlisted © 1995-2021 Samsung, online, site visited

May 28, 2021. Available at URL:<https://www.samsung.com/us/computing/monitors/gaming/49--chg90-qled-gaming-monitor-lc49hg90dmnxza/> (Year: 2021).\*

(Continued)

*Primary Examiner* — Sandra Snapp  
*Assistant Examiner* — Altaira J Swangin

(74) *Attorney, Agent, or Firm* — Cantor Colburn LLP

(57) **CLAIM**

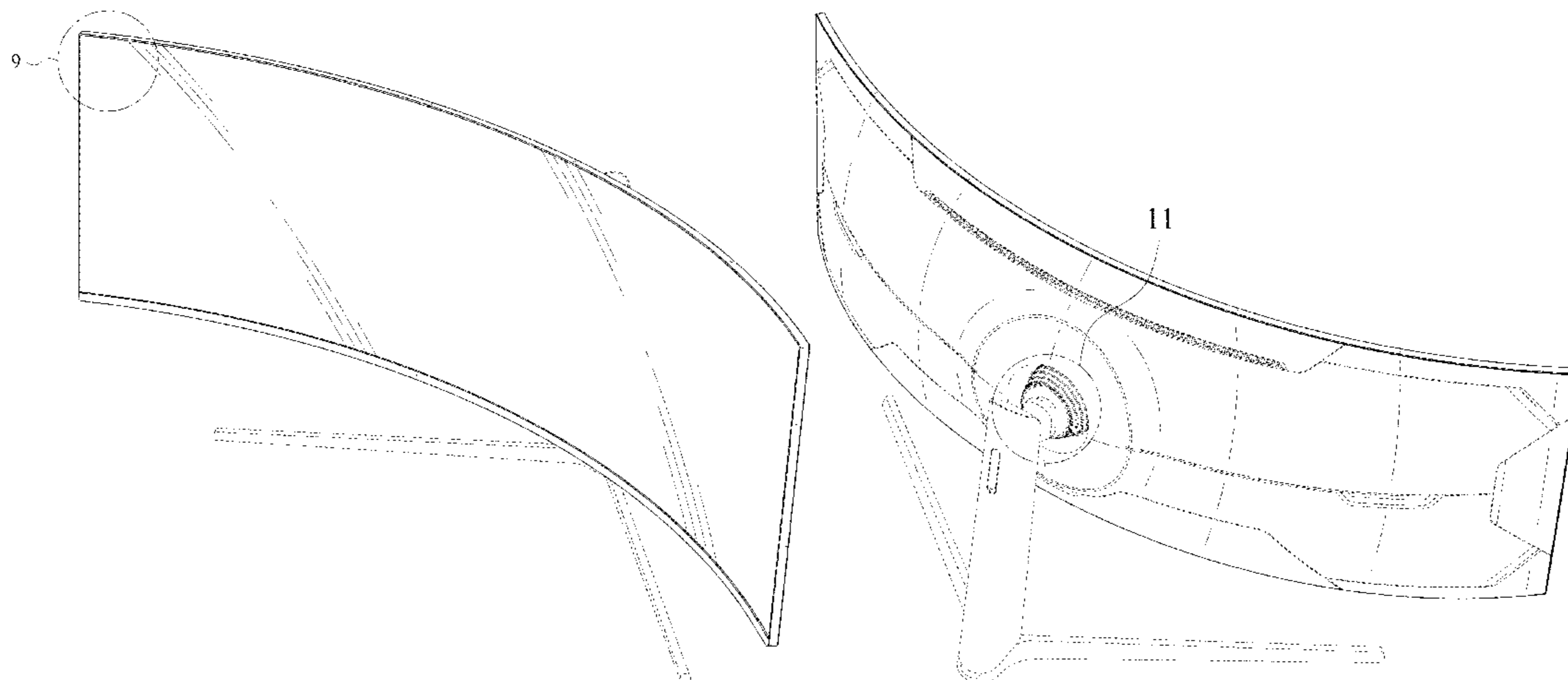
The ornamental design for a monitor, as shown and described.

**DESCRIPTION**

FIG. 1 is a perspective view of a monitor showing our new design;  
FIG. 2 is a front view thereof;  
FIG. 3 is a rear view thereof;  
FIG. 4 is a left-side view thereof;  
FIG. 5 is a right-side view thereof;  
FIG. 6 is a top plan view thereof;  
FIG. 7 is a bottom plan view thereof;  
FIG. 8 is a rear perspective view thereof;  
FIG. 9 is an enlarged view of the encircled portion 9 in FIG. 1;  
FIG. 10 is an enlarged view of the encircled portion 10 in FIG. 4;  
FIG. 11 is an enlarged view of the encircled portion 11 in FIG. 8;  
FIG. 12 is another perspective view of FIG. 1 without stand portion;  
FIG. 13 is a front view of FIG. 12;  
FIG. 14 is a rear view of FIG. 12;  
FIG. 15 is a left-side view of FIG. 12;  
FIG. 16 is a right-side view of FIG. 12;  
FIG. 17 is a top plan view of FIG. 12;  
FIG. 18 is a bottom plan view of FIG. 12; and,  
FIG. 19 is a rear perspective view of FIG. 12.

The dot-dashed broken lines shown in the drawings are used to encircle and show the locations of enlarged portions of the monitor and they form no part of the claimed design. The

(Continued)



evenly dashed broken lines illustrate portions of the monitor that form no part of the claimed design.

**1 Claim, 19 Drawing Sheets**

**(58) Field of Classification Search**

USPC ..... D14/217, 239, 250, 305, 307, 335–336, D14/340, 424, 432, 448–450, 464, 510, D14/372, 374–379, 451, 140, 471, 483, D14/511, 339, 371–382; D20/10, 17–18, D20/27, 38–39, 42, 44  
 CPC ..... G09F 13/00; G09F 19/22; G09F 15/0006  
 See application file for complete search history.

**(56) References Cited**

**U.S. PATENT DOCUMENTS**

D697,862 S *	1/2014	Nemeth	.....	D12/345
D721,666 S *	1/2015	Son	.....	D14/126
D725,616 S *	3/2015	Oh	.....	D14/126
D738,838 S	9/2015	Seo et al.		
D750,076 S	2/2016	Lam et al.		
D750,626 S	3/2016	Schoenert et al.		
D760,224 S *	6/2016	Lee	.....	D14/371
D768,629 S *	10/2016	Bae	.....	D14/374
D791,132 S *	7/2017	Oh	.....	D14/374
D797,737 S *	9/2017	Won	.....	D14/374
D797,738 S *	9/2017	Won	.....	D14/374
D805,516 S *	12/2017	Bae	.....	D14/374
D816,671 S *	5/2018	Jung	.....	D14/374
D816,672 S *	5/2018	Jung	.....	D14/374
D817,328 S *	5/2018	Jung	.....	D14/374
D817,900 S *	5/2018	So	.....	D14/126
D817,956 S *	5/2018	Jung	.....	D14/374
D818,468 S *	5/2018	Jung	.....	D14/374
D831,647 S *	10/2018	Woo	.....	D14/374
D872,085 S *	1/2020	Lee	.....	D14/374
D873,826 S *	1/2020	Yang	.....	D14/374

D888,677 S *	6/2020	Ryu	.....	D14/126
D895,617 S *	9/2020	Little	.....	D14/374
D900,815 S *	11/2020	Kang	.....	D14/371
D900,816 S *	11/2020	Kim	.....	D14/374
D900,817 S *	11/2020	Ryu	.....	D14/374
D900,820 S *	11/2020	Kim	.....	D14/374
D901,500 S *	11/2020	Kim	.....	D14/374
D924,233 S *	7/2021	Kang	.....	D14/371
D926,185 S *	7/2021	Kim	.....	D14/371

**FOREIGN PATENT DOCUMENTS**

KR	300803787.0000	*	7/2018
KR	301064738.0000	*	7/2020
WO	WO-D090690-001	*	5/2018

**OTHER PUBLICATIONS**

49" Odyssey Super Ultra Wide QLED Gaming Monitor, Samsung, samsung.com, author unlisted, published Nov. 25, 2020 per wayback machine © 1995-2021 Samsung, online, site visited May 28, 2021. Available at URL: <https://www.samsung.com/levant/monitors/gaming/odyssey-g9-dqhd-monitor-with-1000r-curved-display-49-inch-lc49g95tssmxzn/> (Year: 2020).\*

Ultra Wide 49WL95 Monitor, LG, provideocoalition.com, published by Jose Antunes on Dec. 19, 2018 © 2021 ProVideo Coalition, online, site visited May 28, 2021. Available at URL: <https://www.provideocoalition.com/lg-will-unveil-its-49-inch-superior-productivity-monitor-at-ces-2019/> (Year: 2018).\*

SUW49C Curved Monitor, Viotek, amazon.com, published by Viotek on Dec. 4, 2018 © 1996-2021 Amazon.com, Inc., online, site visited Jun. 22, 2021. Available at URL: [https://www.amazon.com/dp/B07L44N45F/ref=as\\_li\\_ss\\_tl?psc=1&pd\\_rd\\_i=B07L44N45F&pd\\_rd\\_w=8AFZ5&pf\\_rd\\_p=21517efd-b385-405b-a405-9a37af61b5\\_wg=swvCA&pf\\_rd\\_r=GGKW4EN02NGCS7YAT6GD&pd\\_rd\\_r=684ddd6-1967-11e9-adb7-79da964e28a8&linkCode=sl1&tag=technpick1-20&linkId=9860c3e2534dfd357258ce8300c688ba&language=en\\_US](https://www.amazon.com/dp/B07L44N45F/ref=as_li_ss_tl?psc=1&pd_rd_i=B07L44N45F&pd_rd_w=8AFZ5&pf_rd_p=21517efd-b385-405b-a405-9a37af61b5_wg=swvCA&pf_rd_r=GGKW4EN02NGCS7YAT6GD&pd_rd_r=684ddd6-1967-11e9-adb7-79da964e28a8&linkCode=sl1&tag=technpick1-20&linkId=9860c3e2534dfd357258ce8300c688ba&language=en_US) (Year: 2018).\*

\* cited by examiner

FIG. 1

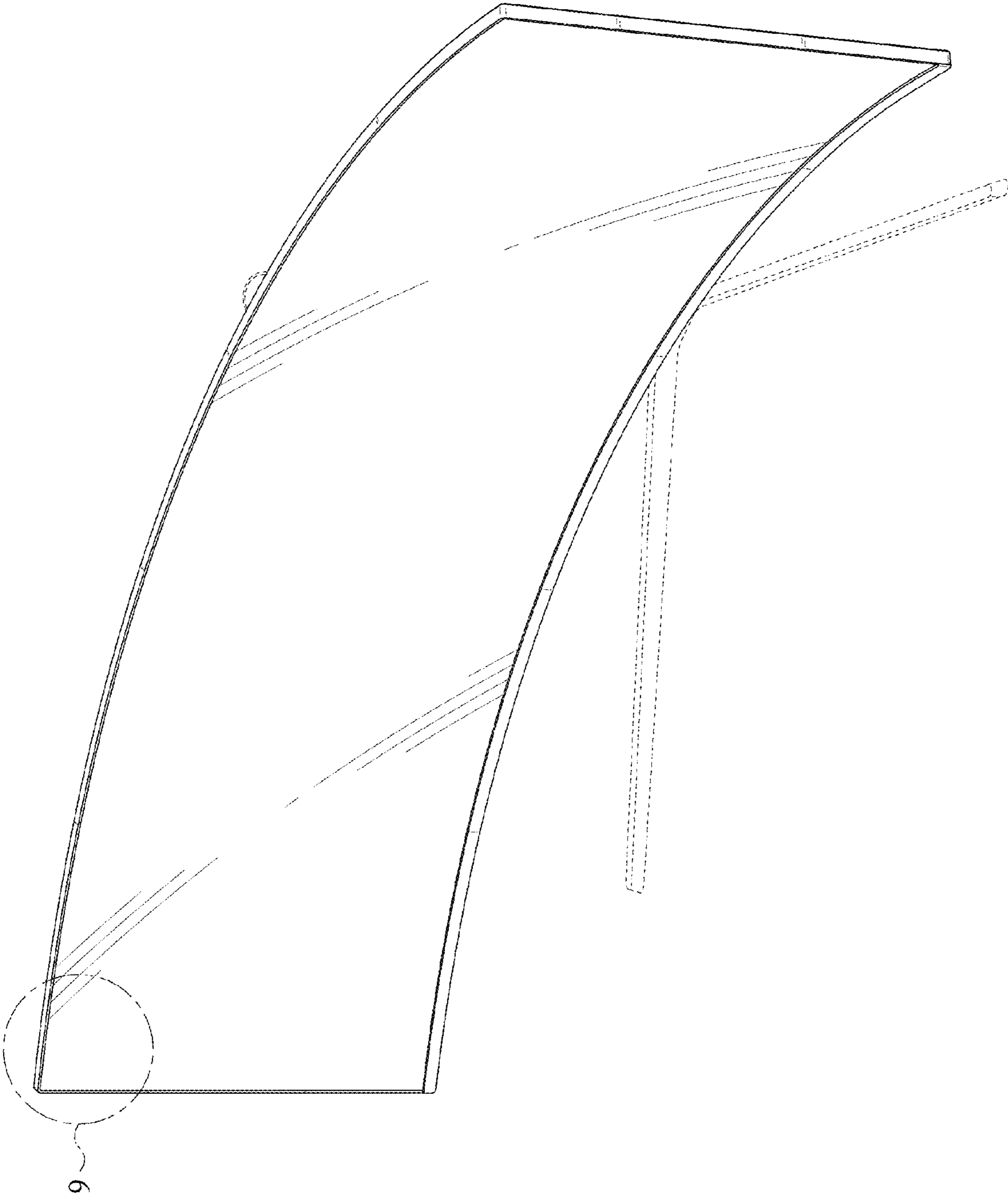


FIG. 2

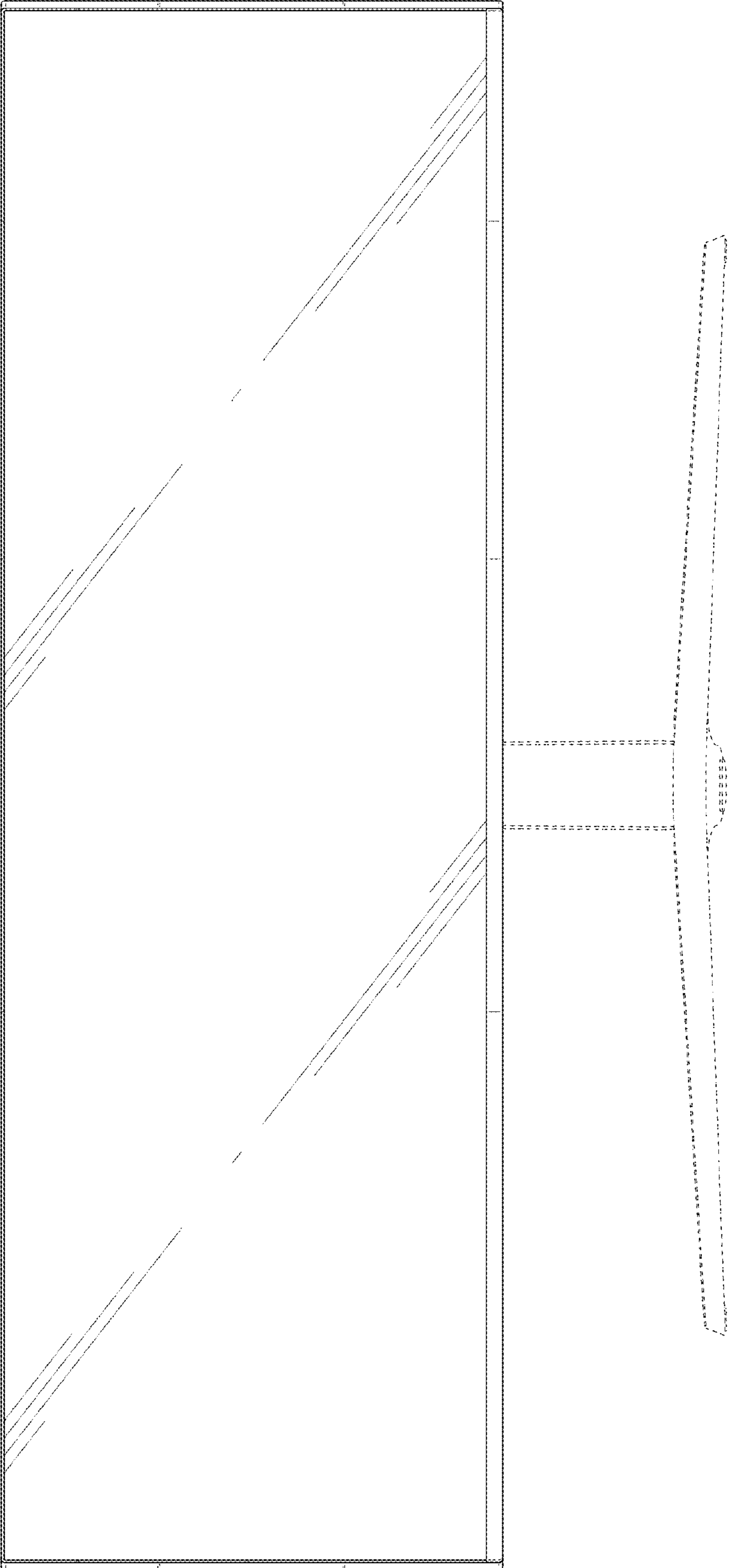


FIG. 3

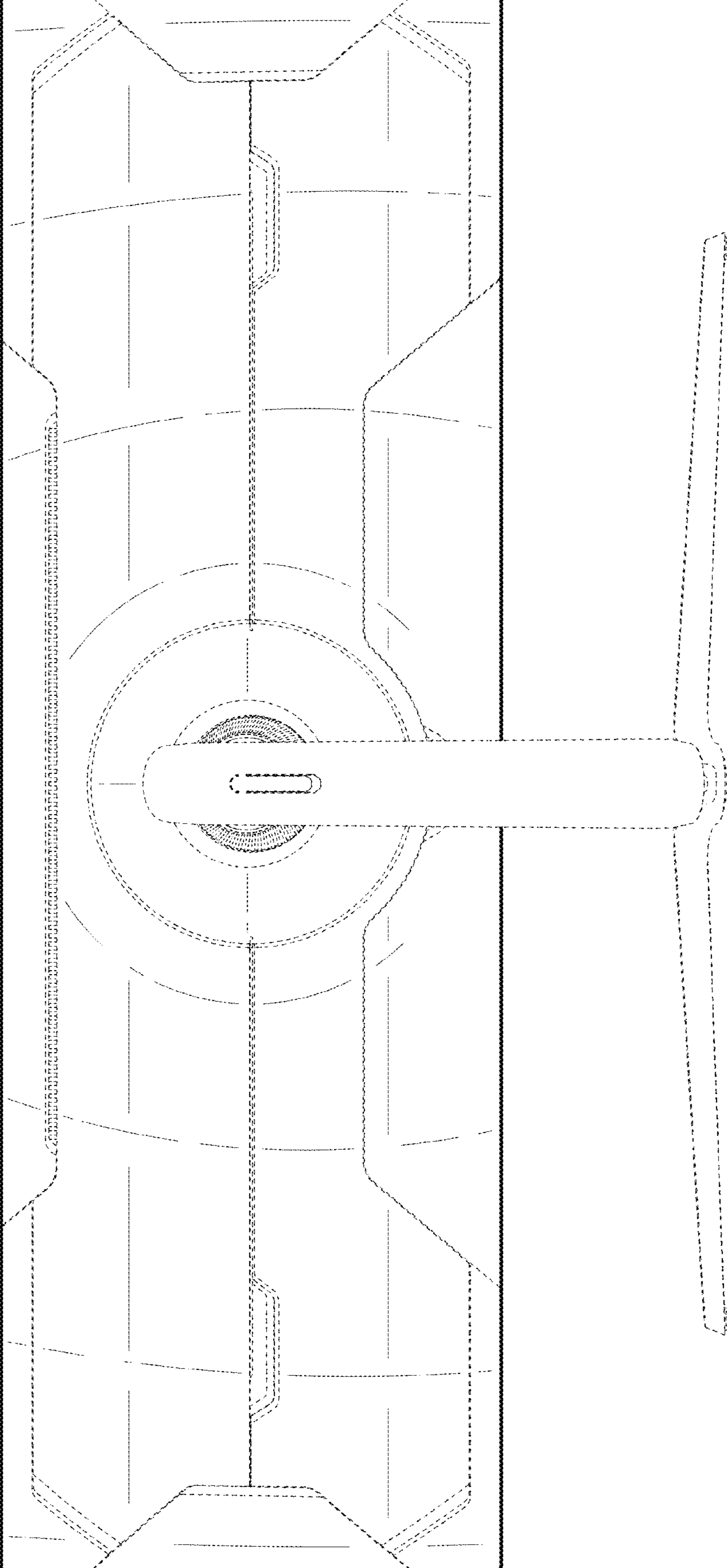


FIG. 4

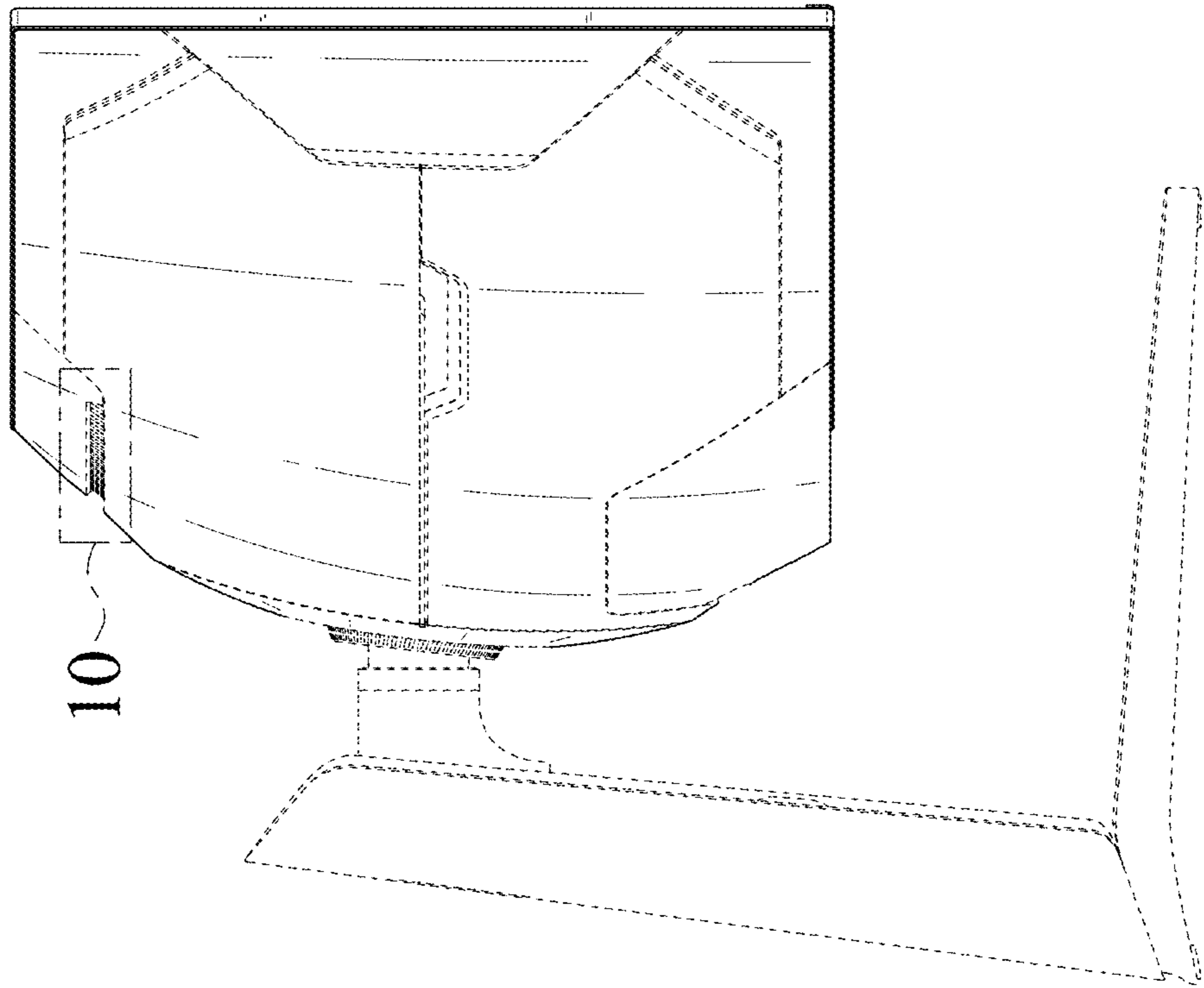


FIG. 5

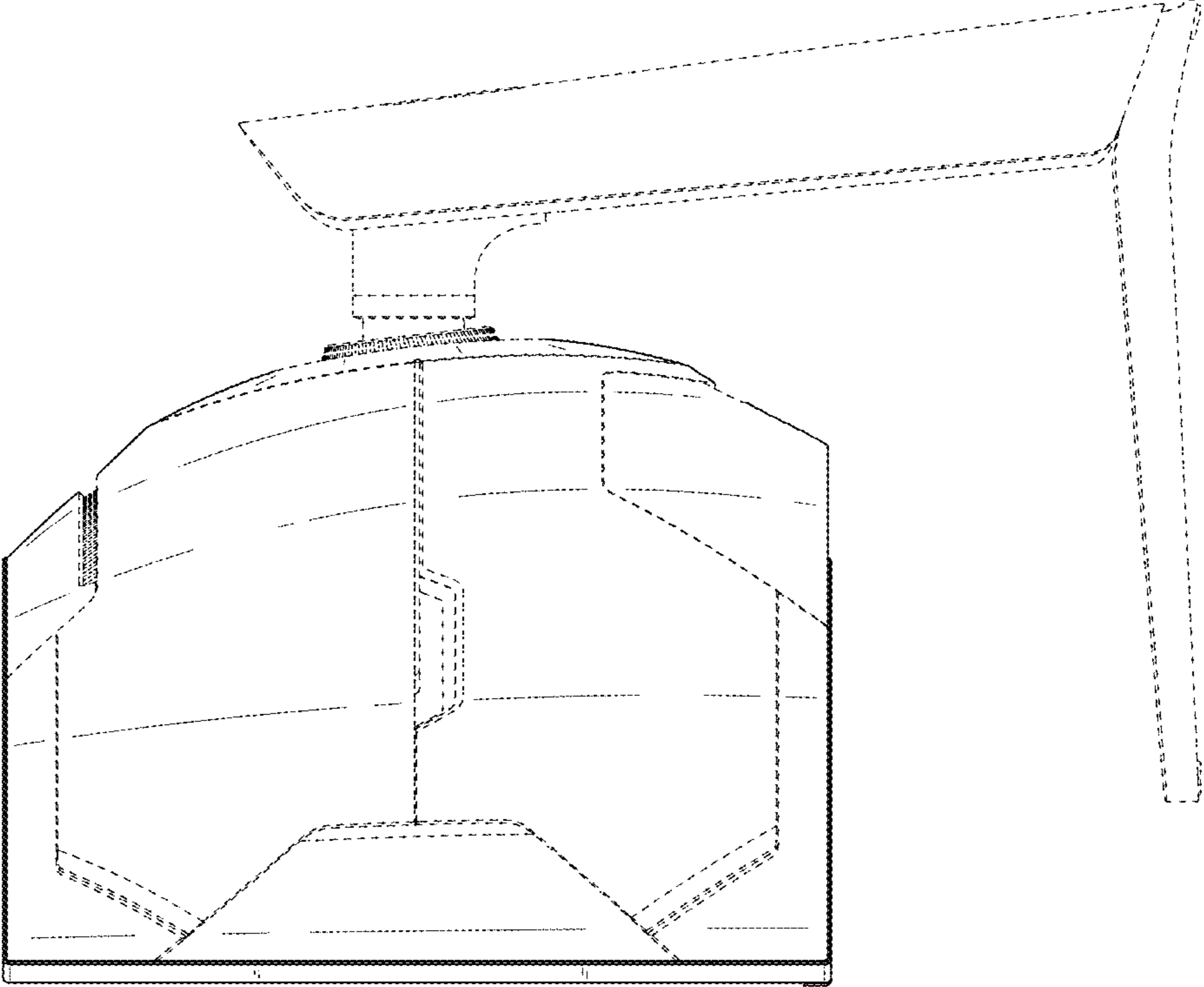


FIG. 6

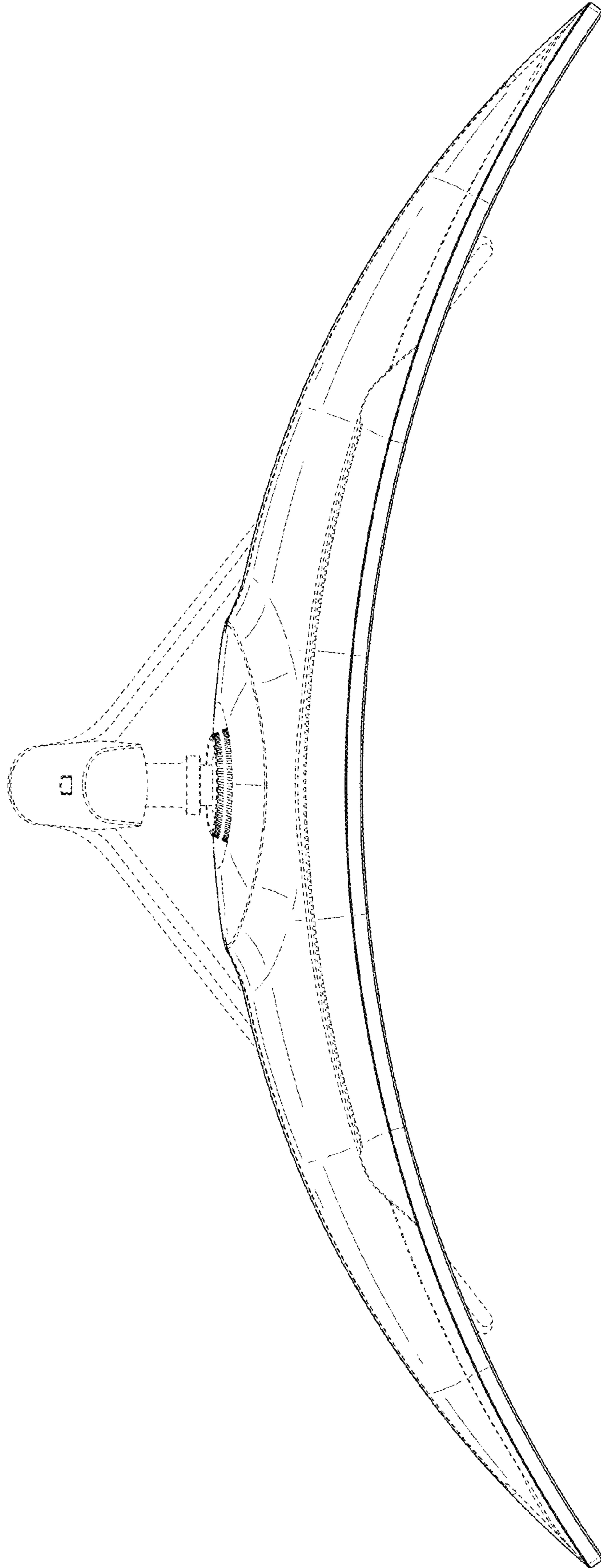




FIG. 7

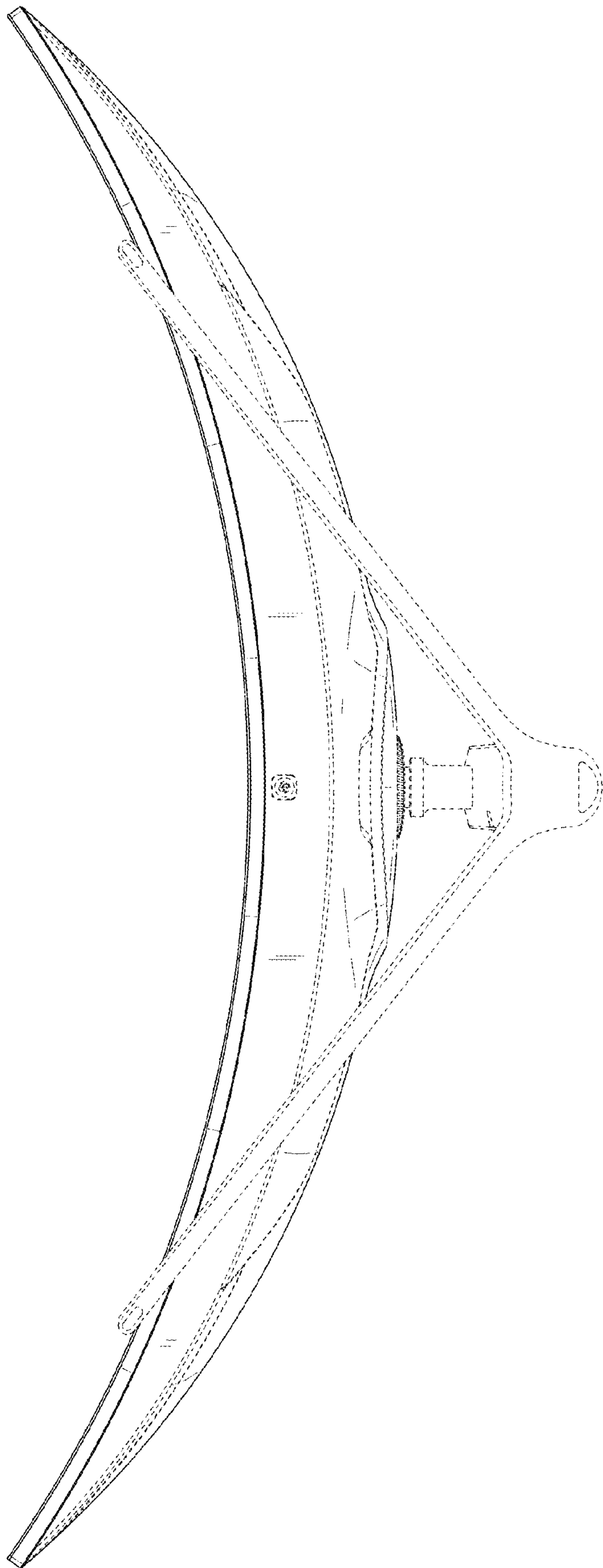


FIG. 8

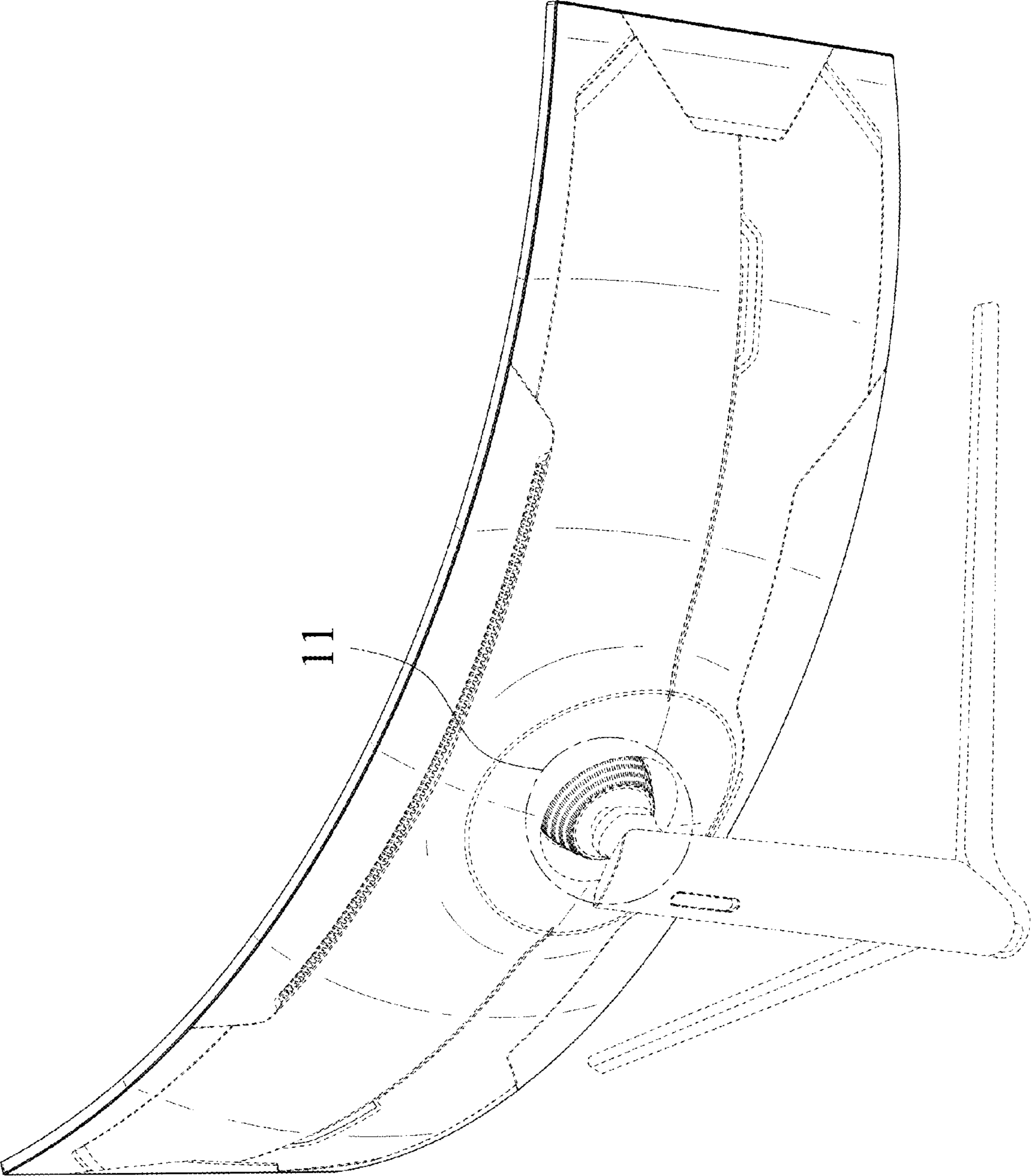


FIG. 9

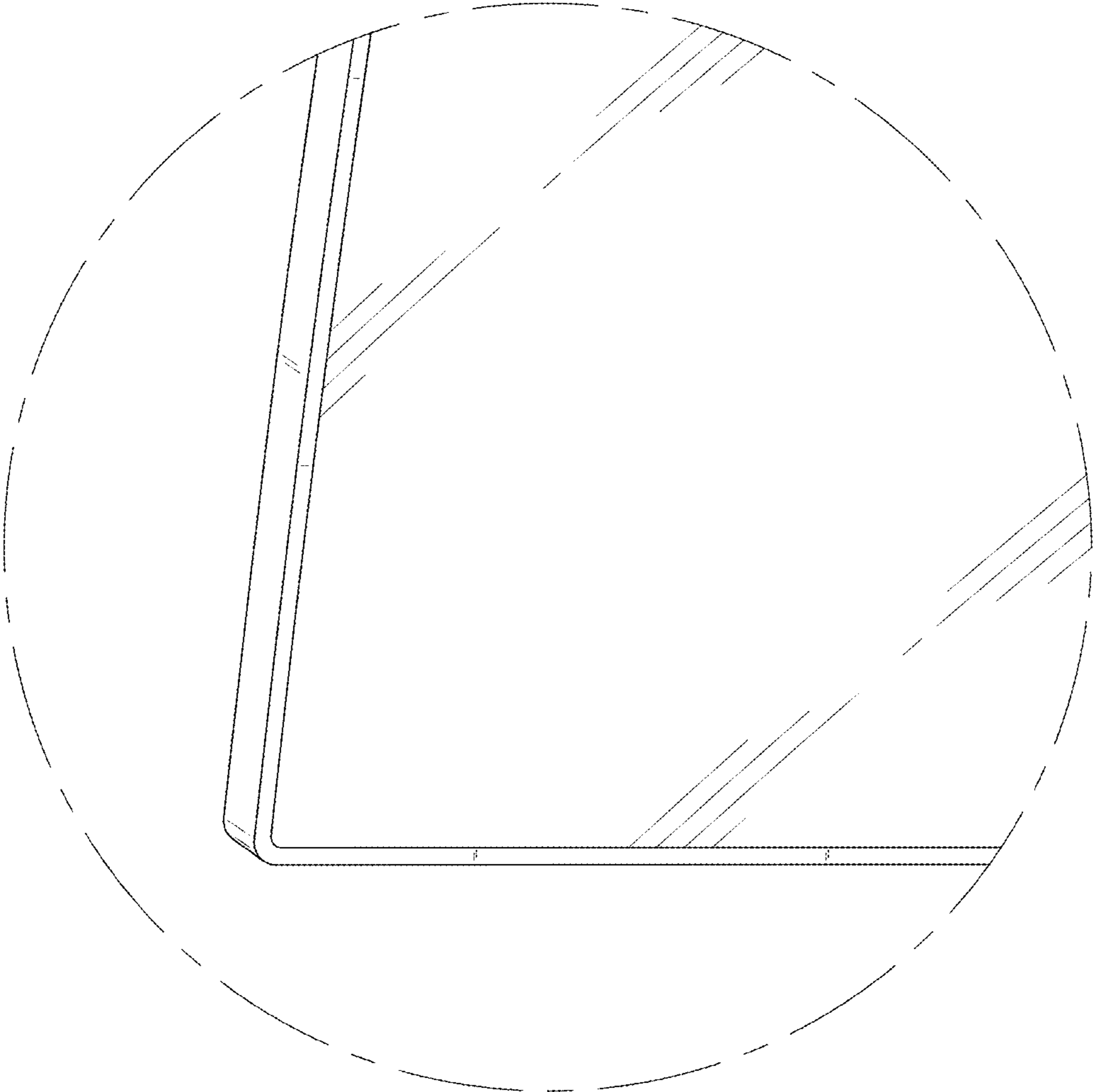


FIG. 10

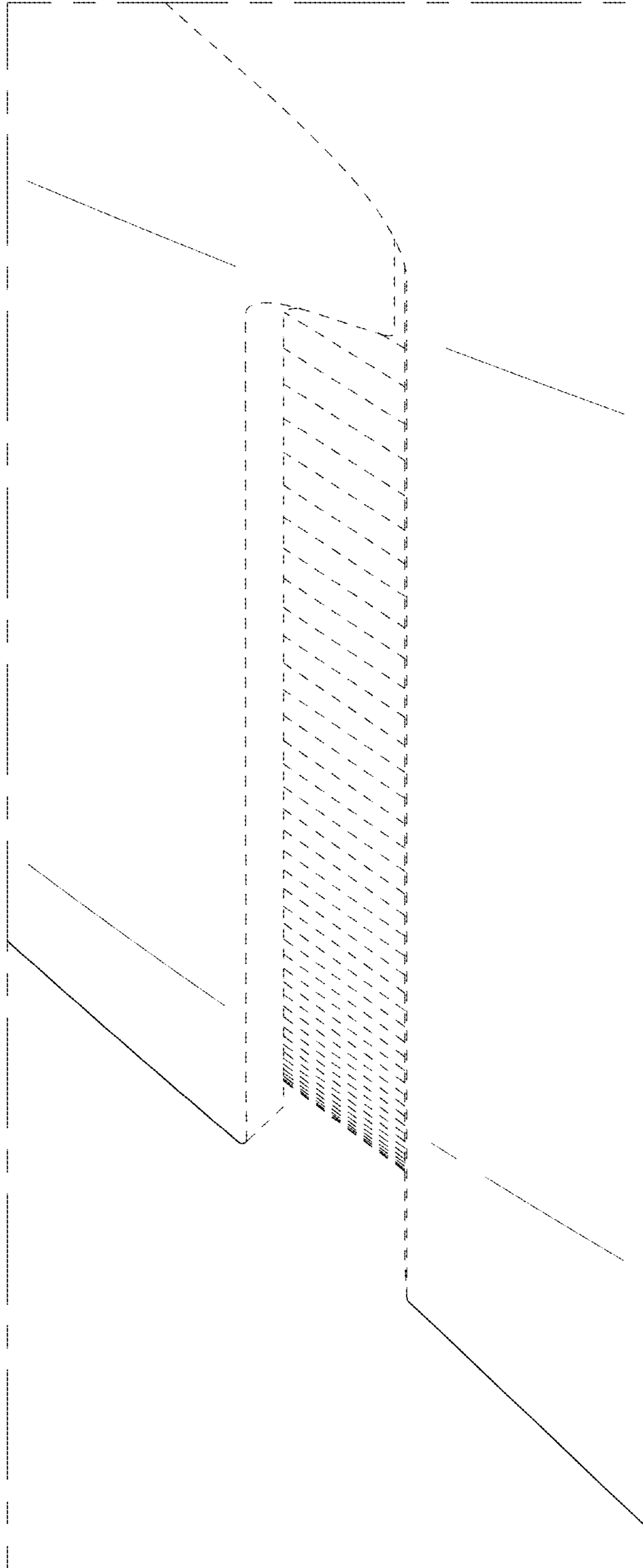


FIG. 11

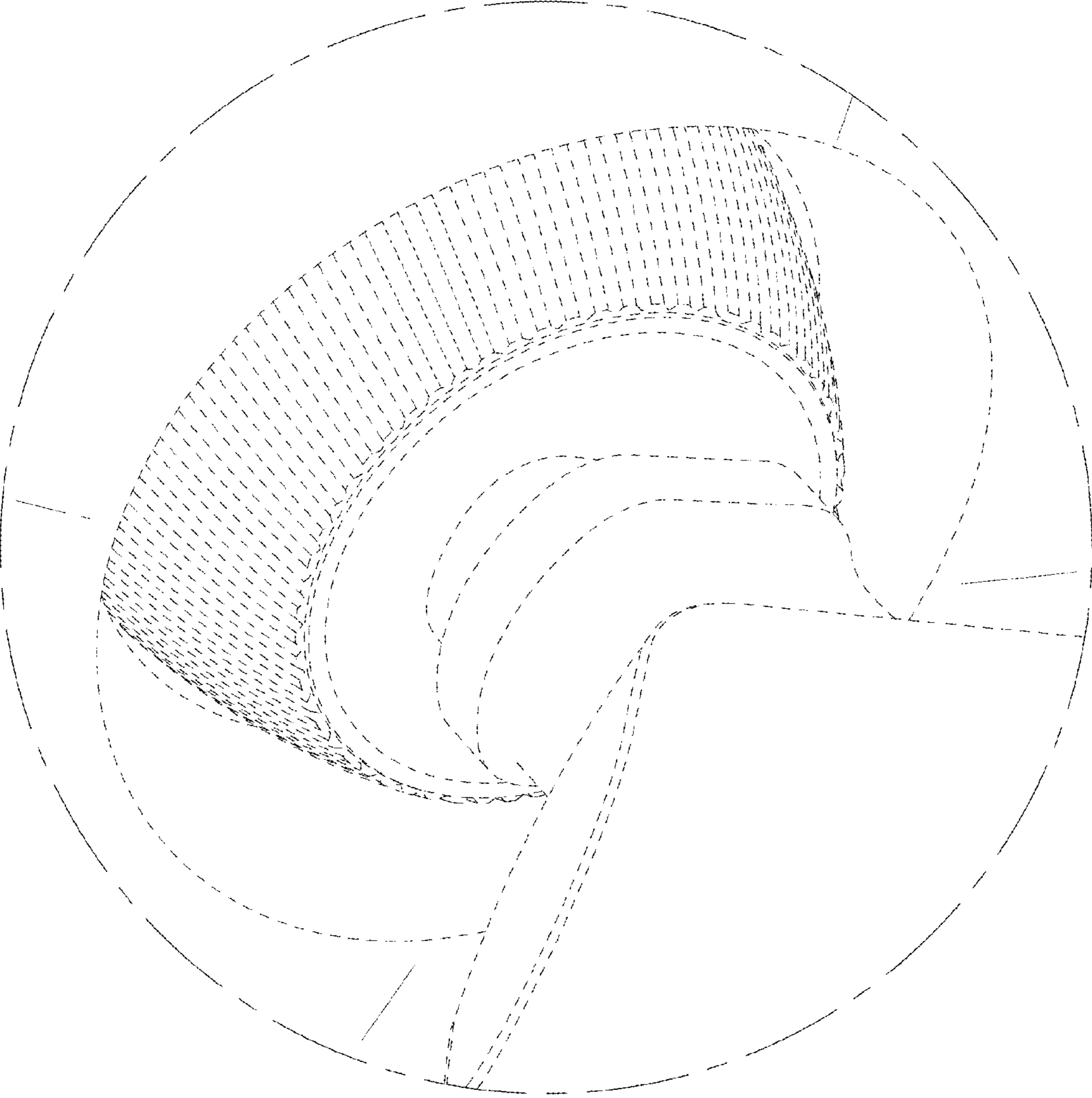


FIG. 12

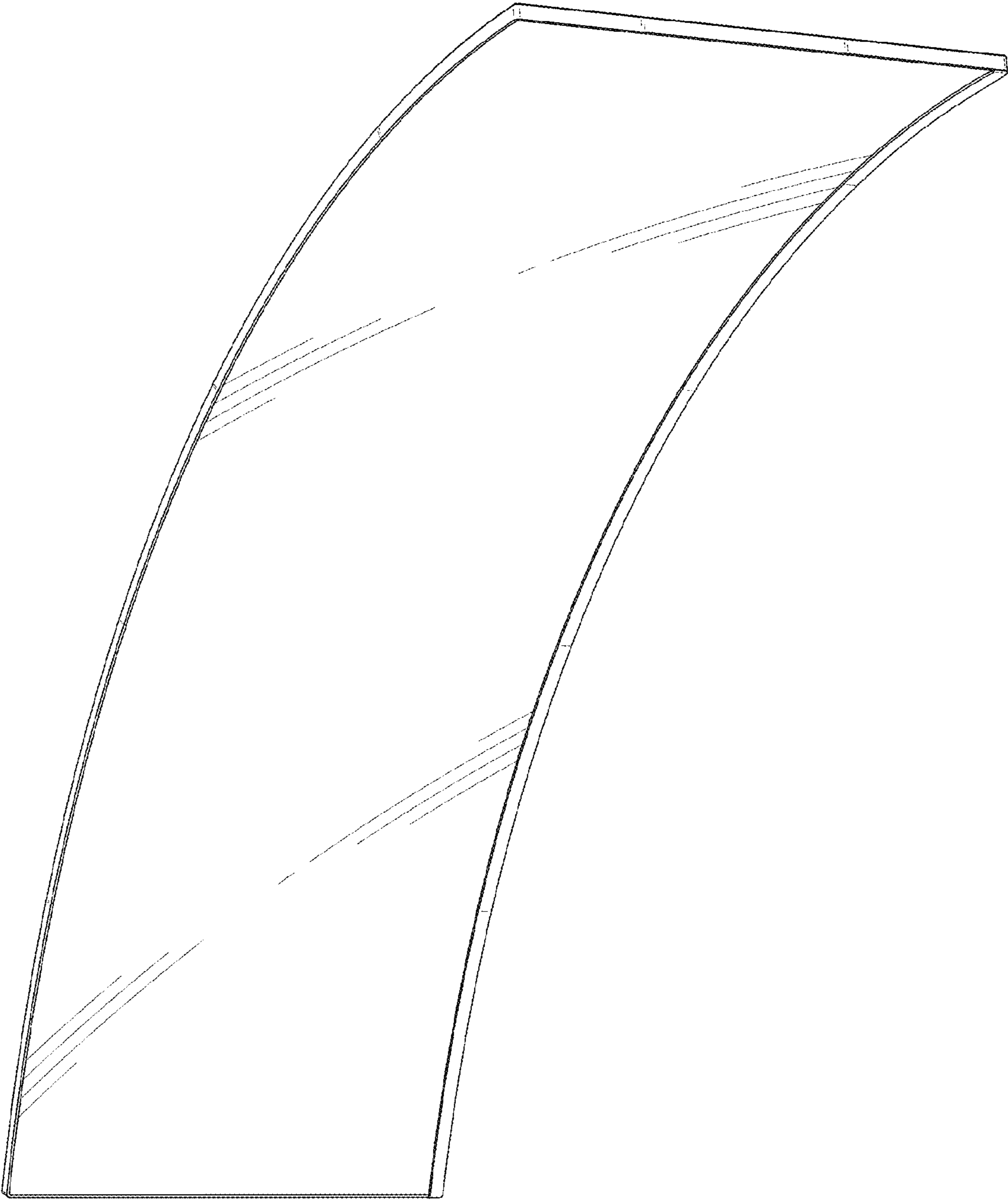


FIG. 13

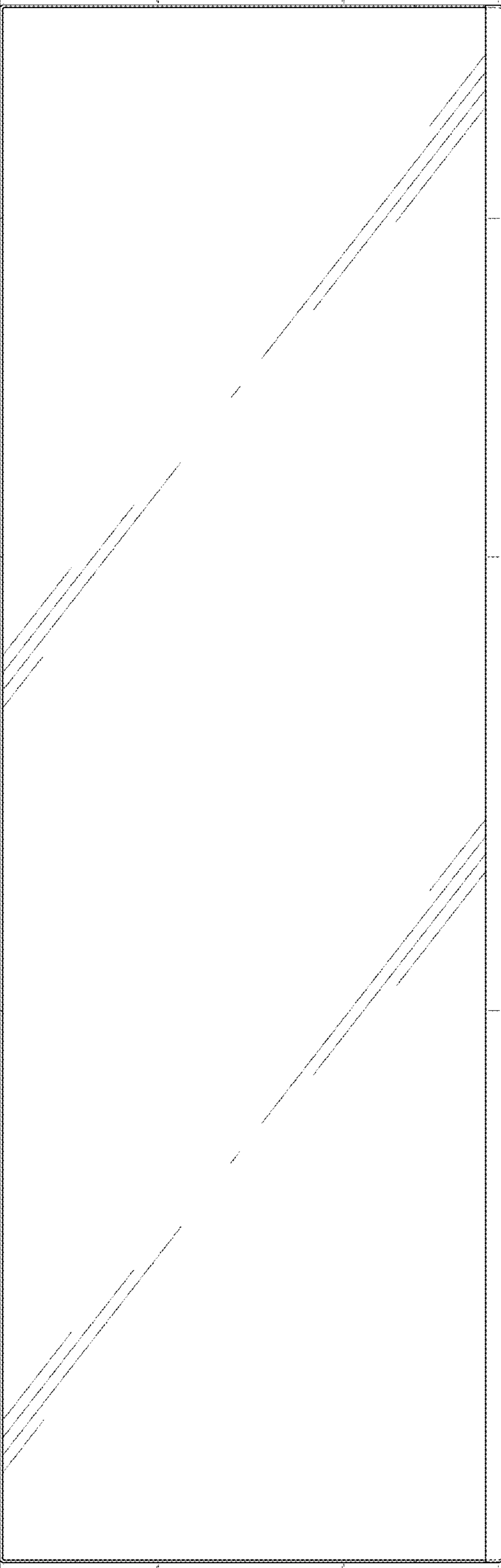


FIG. 14

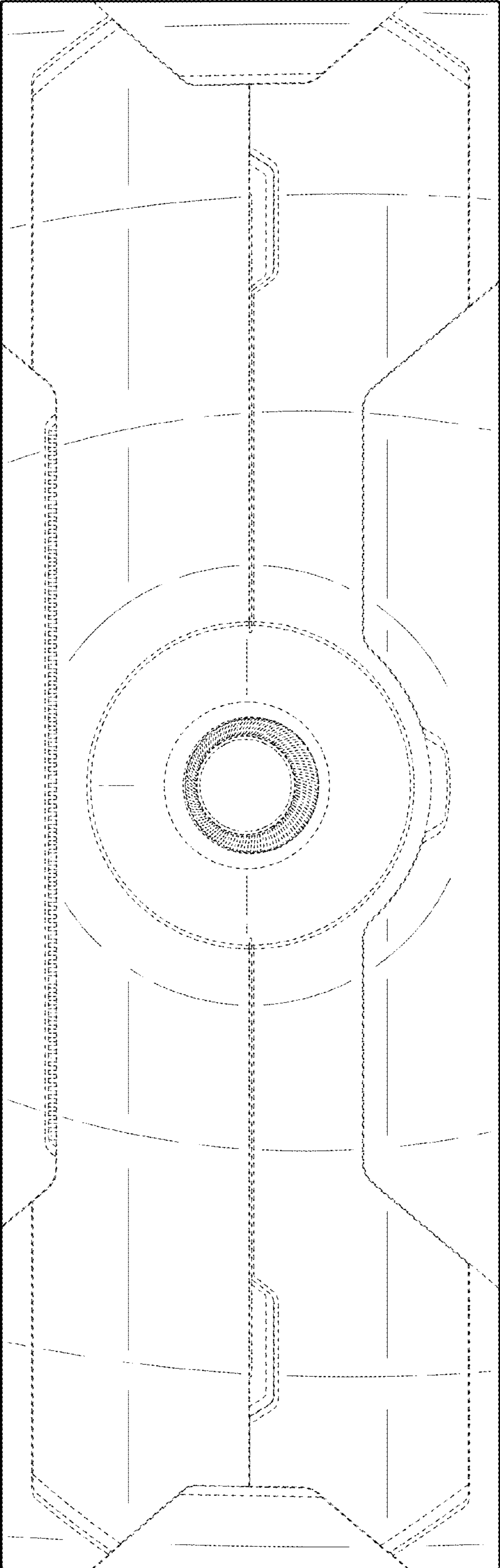




FIG. 15

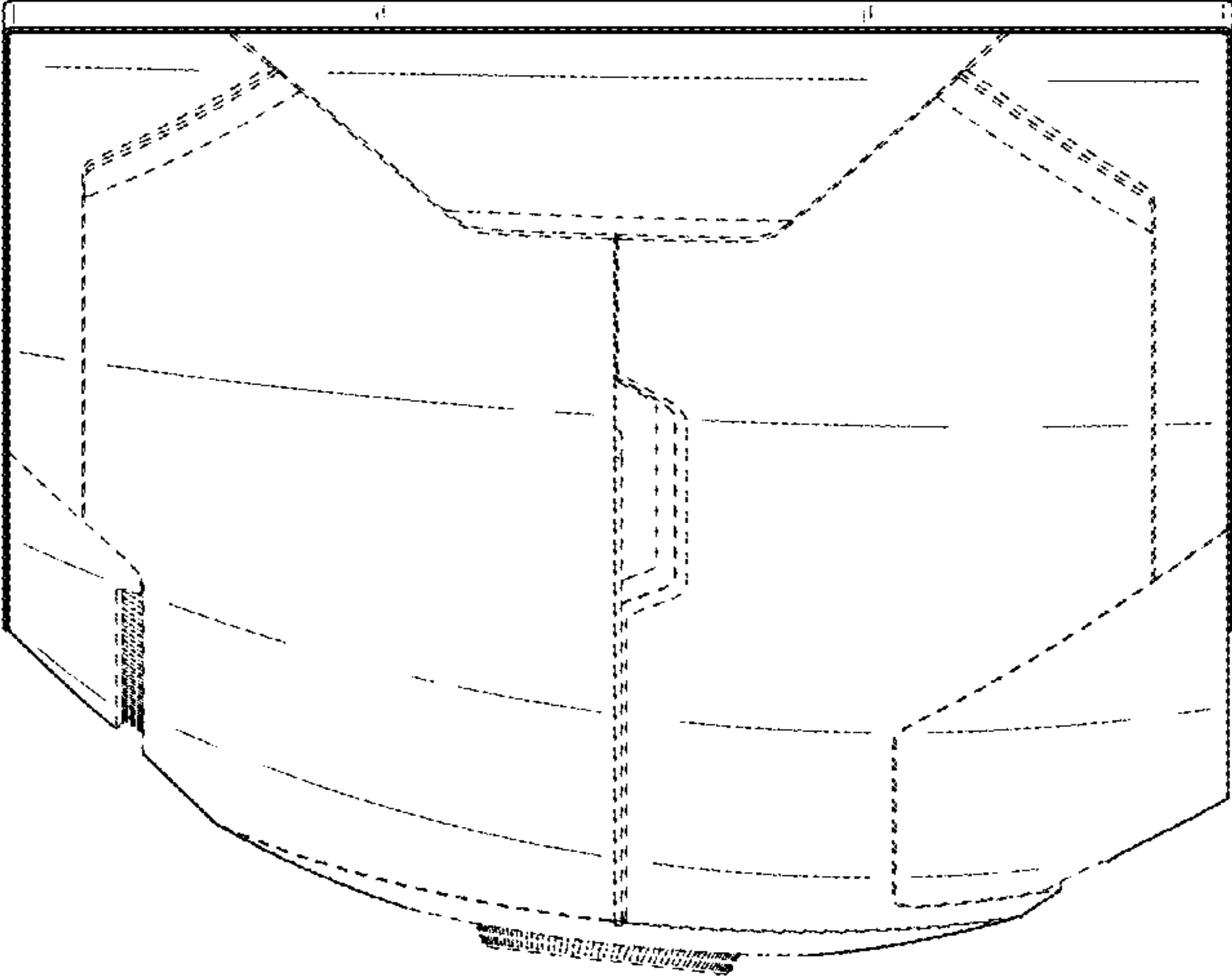


FIG. 16

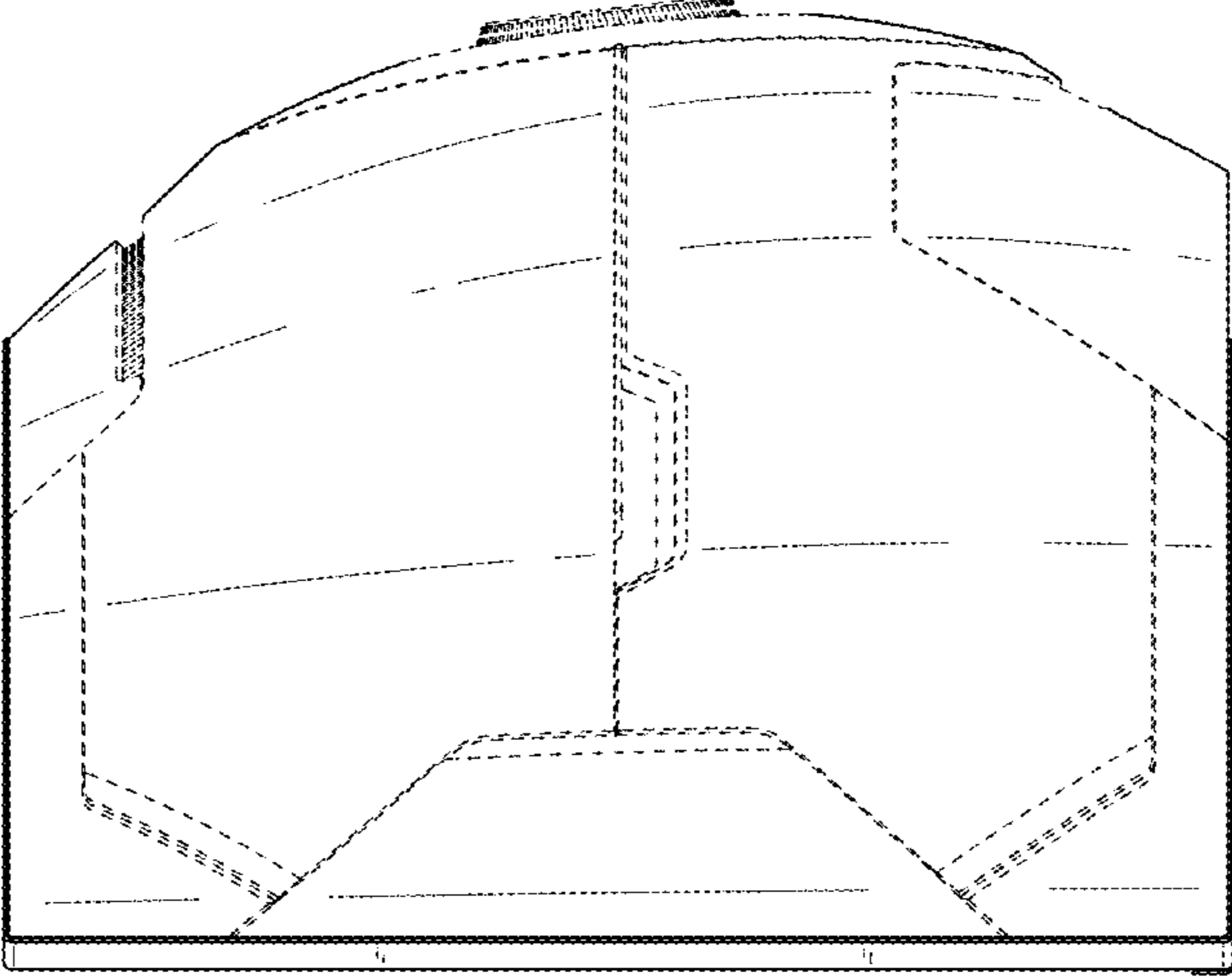


FIG. 17

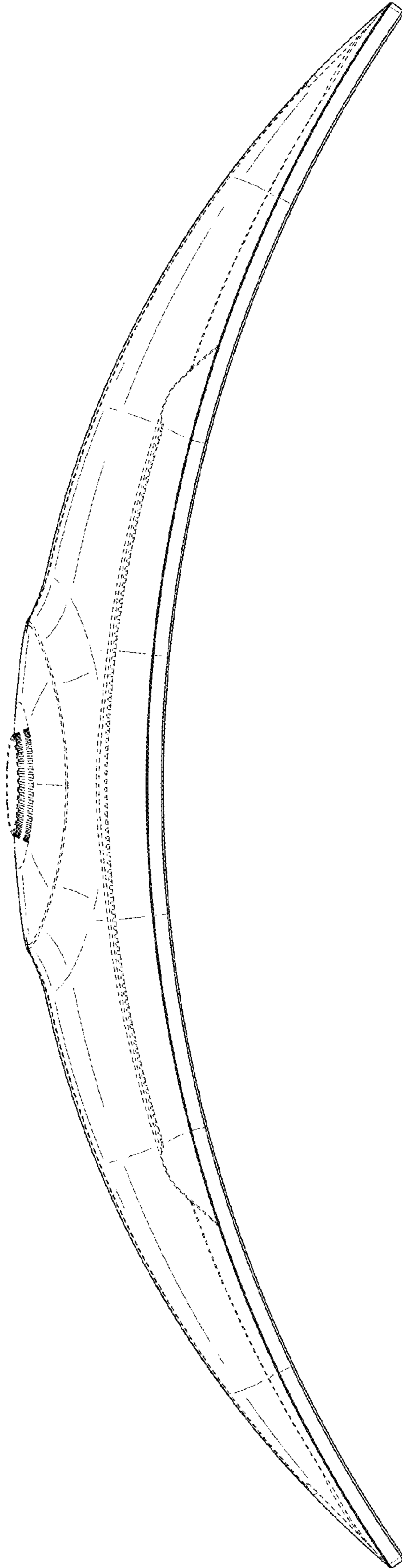


FIG. 18

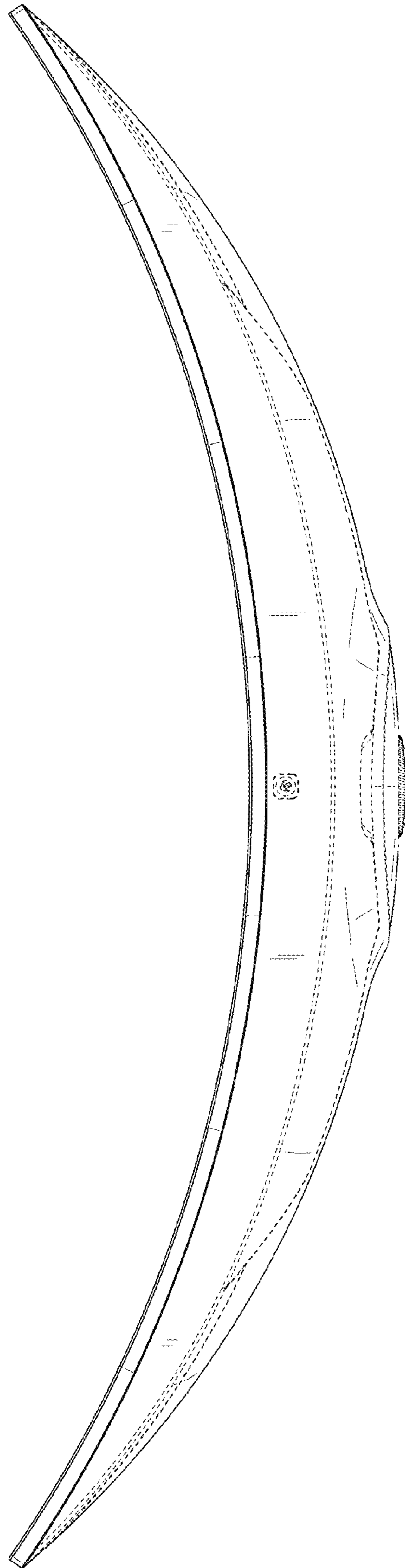


FIG. 19

