



US00D956744S

(12) **United States Design Patent**
Cho

(10) **Patent No.:** **US D956,744 S**
(45) **Date of Patent:** **** Jul. 5, 2022**

- (54) **MONITOR FOR AUTOMOBILE**
- (71) Applicant: **Eastern Mastec Corporation**, Paju-si (KR)
- (72) Inventor: **Yongbum Cho**, Hanam-si (KR)
- (73) Assignee: **EASTERN MASTEC CORPORATION**, Paju-si (KR)
- (**) Term: **15 Years**
- (21) Appl. No.: **29/715,802**
- (22) Filed: **Dec. 4, 2019**
- (51) **LOC (13) Cl.** **14-02**
- (52) **U.S. Cl.**
USPC **D14/371**
- (58) **Field of Classification Search**
USPC D14/126, 214, 300, 305, 307, 336-337, D14/371, 374-384, 388-389, 432, D14/444-445, 448, 450; D24/160, 186; D20/39, 42; D10/15, 21, 24, 104.1, D10/106.95, 65; D21/324-325, 329; D13/162, 164, 184; D19/88, 113; D12/192, 415; D15/28
CPC E04H 1/1272; E04H 1/1222; G09F 13/00; G09F 9/00; G09F 9/3023; G09F 9/3026
See application file for complete search history.

- D727,271 S * 4/2015 Shi D13/162
 - D729,644 S * 5/2015 Browning D10/65
 - D738,756 S * 9/2015 Jiang D10/50
 - D756,290 S * 5/2016 Cho D12/415
 - D765,042 S * 8/2016 Shimohama D13/164
- (Continued)

FOREIGN PATENT DOCUMENTS

- CN 306098305 * 10/2020
 - KR 300691245.0000 * 5/2013
- (Continued)

OTHER PUBLICATIONS

1:10.1-Inch IP65 LCD Monitor, Xenarc, xenarc.com, author unlisted, published Oct. 25, 2019 per wayback machine © 2021 Xenarc Technologies Corp., online, site visited Feb. 17, 2021. URL: <https://www.xenarc.com/1029CNH-sunlight-readable-capacitive-touchscreen-display-monitor-with-hdmi-dvi-vga-av-inputs>. (Year: 2019).*

Primary Examiner — Sandra Snapp
Assistant Examiner — Altaira J Swangin
(74) *Attorney, Agent, or Firm* — Dennemeyer & Associates, LLC; Steven M. Shape

(57) **CLAIM**

The ornamental design for a monitor for automobile, as shown and described.

DESCRIPTION

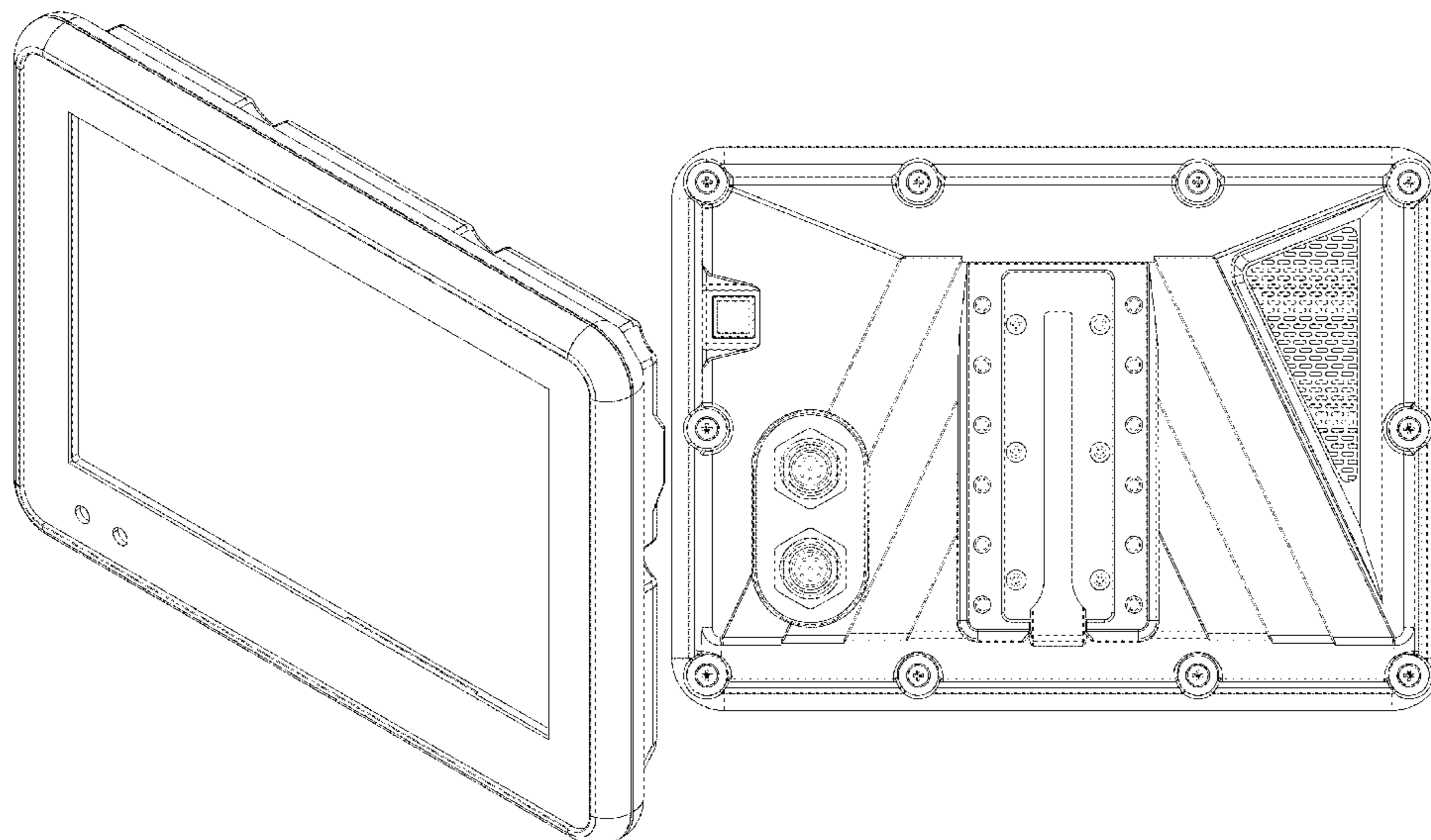
FIG. 1 is a front perspective view of a monitor for automobile with the new design;
FIG. 2 is a front elevation view thereof;
FIG. 3 is a rear elevation view thereof;
FIG. 4 is a left side elevation view thereof;
FIG. 5 is a right side elevation view thereof;
FIG. 6 is a top plan view thereof;
FIG. 7 is a bottom plan view thereof; and,
FIG. 8 is a rear perspective view thereof.

1 Claim, 8 Drawing Sheets

(56) **References Cited**

U.S. PATENT DOCUMENTS

- D494,174 S * 8/2004 Hsu Li D14/374
- D507,302 S * 7/2005 Chen D19/113
- D561,616 S * 2/2008 Park D10/65
- D569,629 S * 5/2008 Yu D6/308
- D628,913 S * 12/2010 Cheng D10/65
- D640,149 S * 6/2011 Lenz D10/65
- D648,233 S * 11/2011 Lenz D10/65
- D648,234 S * 11/2011 Lenz D10/65
- D659,568 S * 5/2012 Stevens D10/65
- D701,570 S * 3/2014 Fletcher D19/113



(56)

References Cited

U.S. PATENT DOCUMENTS

D769,133 S * 10/2016 Bryant D10/24
D822,016 S * 7/2018 Zhong D14/341
D840,356 S * 2/2019 Sakamoto D13/164
D844,678 S * 4/2019 Jacobsthal D15/28
D849,622 S * 5/2019 Woodhouse D12/192
D852,203 S * 6/2019 Rui D14/447
D881,191 S * 4/2020 Navid D14/401
D882,528 S * 4/2020 Fariello D13/162
D897,347 S * 9/2020 Luo D14/440
D902,926 S * 11/2020 Andersson D14/371
D915,222 S * 4/2021 Yu D10/15
D917,312 S * 4/2021 Li D10/50
D930,744 S * 9/2021 Yu D19/113
D931,124 S * 9/2021 Martin D10/65
D934,232 S * 10/2021 Francis D14/253
D935,907 S * 11/2021 Yu D10/57
D935,908 S * 11/2021 Yu D10/57
D937,841 S * 12/2021 Makela D14/439
2020/0318781 A1 * 10/2020 Zhong A45F 5/10
2021/0259516 A1 * 8/2021 Ubbesen G06F 1/1601
2021/0259520 A1 * 8/2021 Ubbesen G06F 1/1656

FOREIGN PATENT DOCUMENTS

KR 301062949.0000 * 6/2020
KR 301062950.0000 * 6/2020
KR 301066387.0000 * 7/2020

* cited by examiner

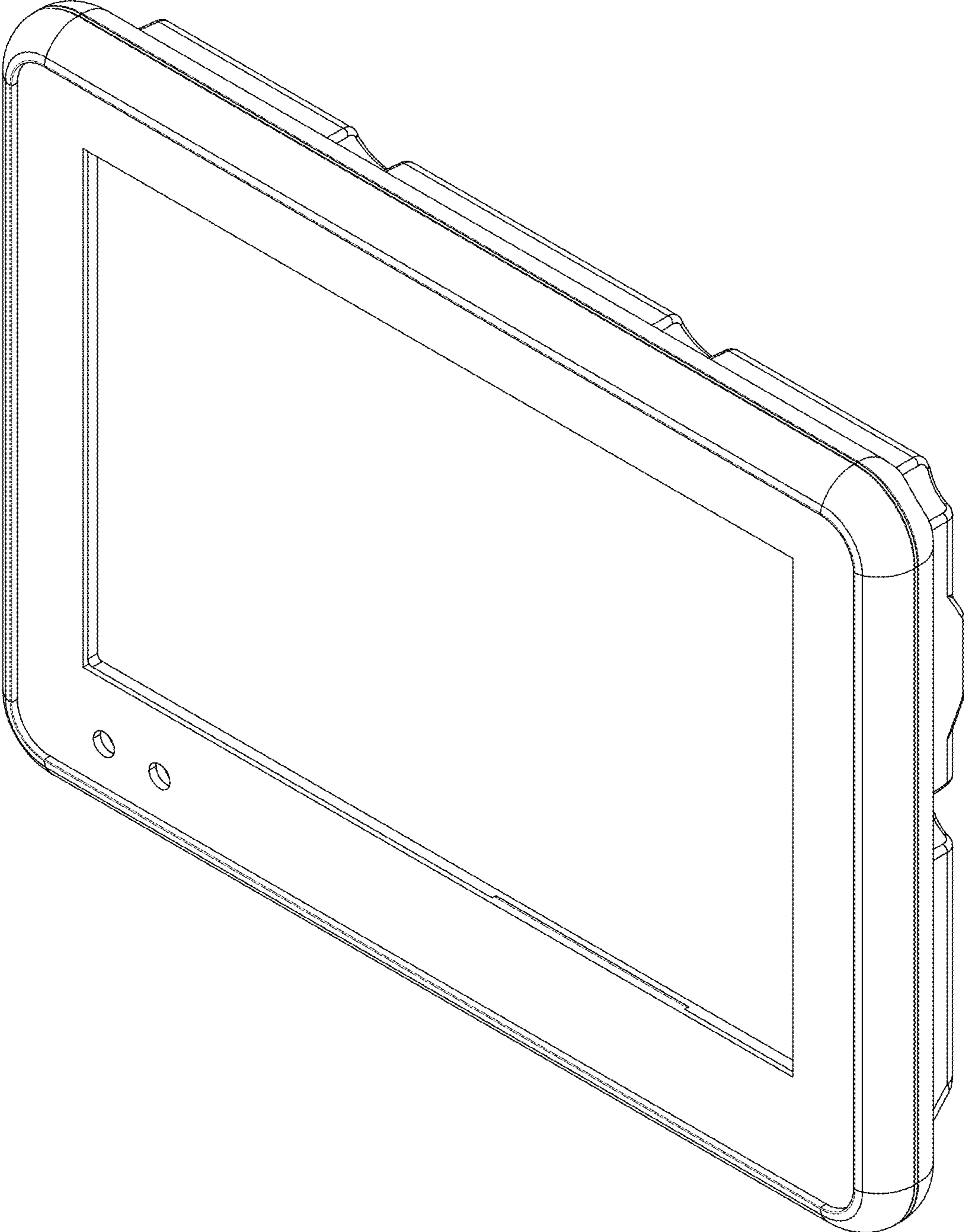


Fig. 1

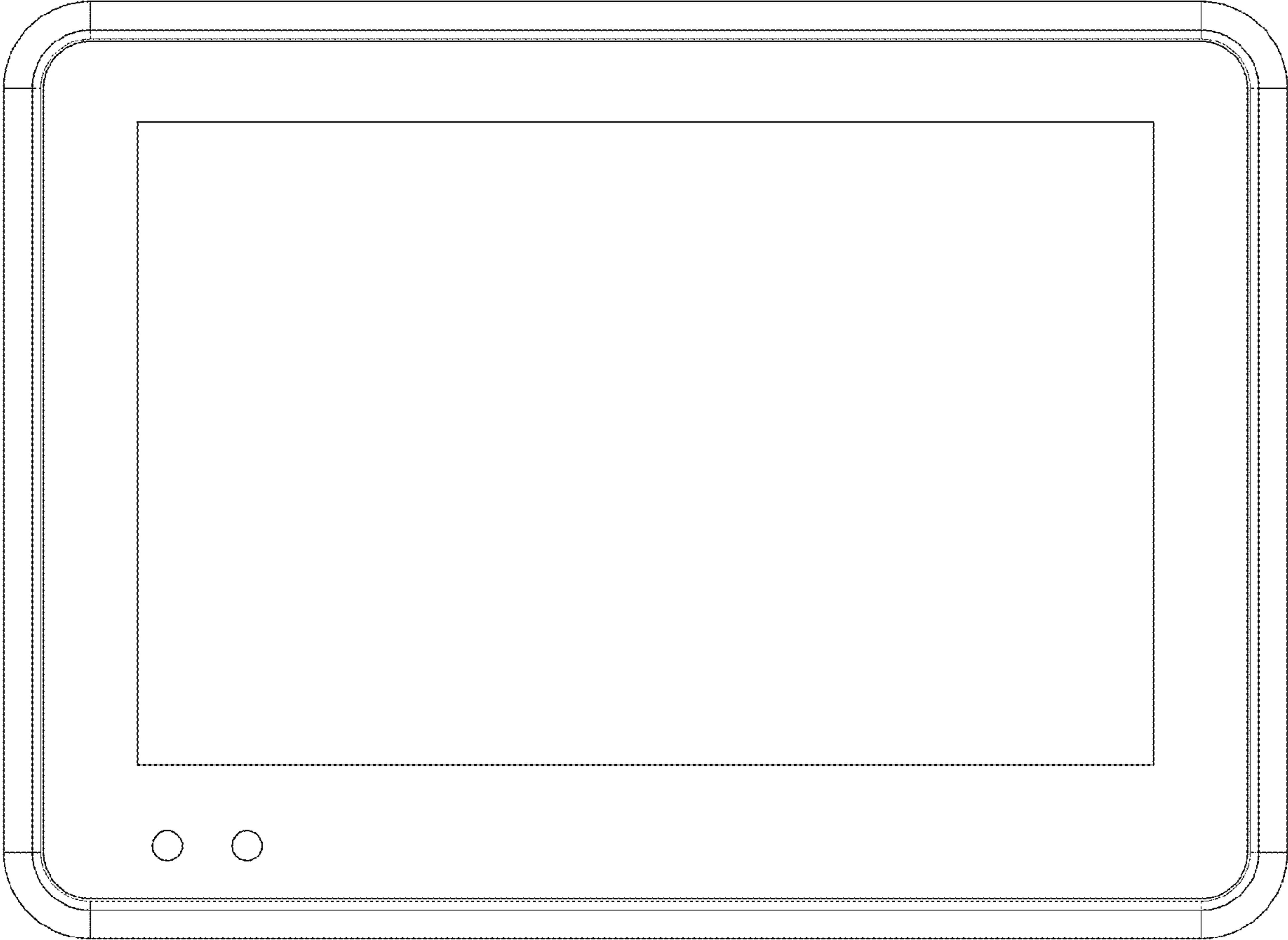


Fig. 2

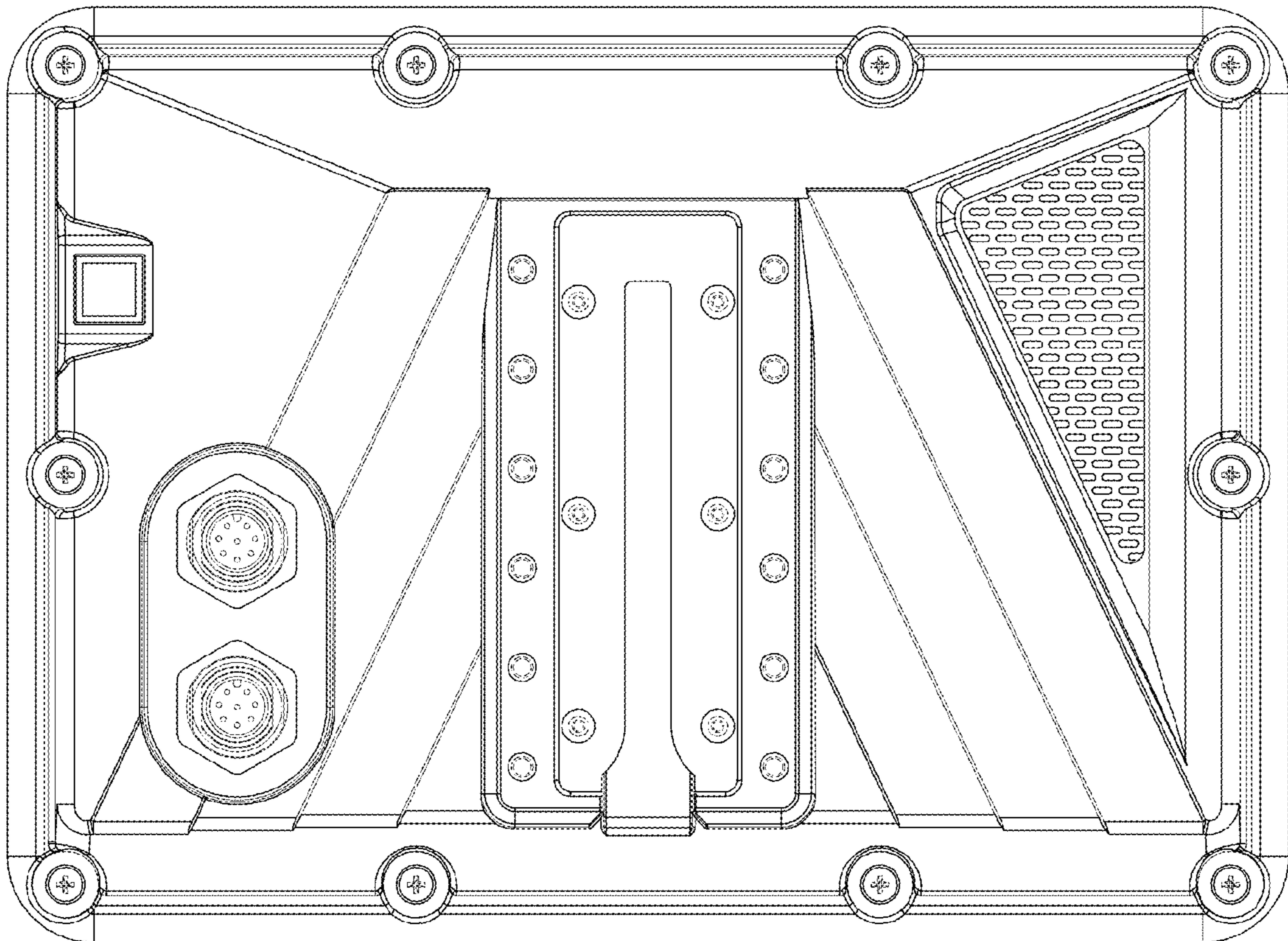


Fig. 3

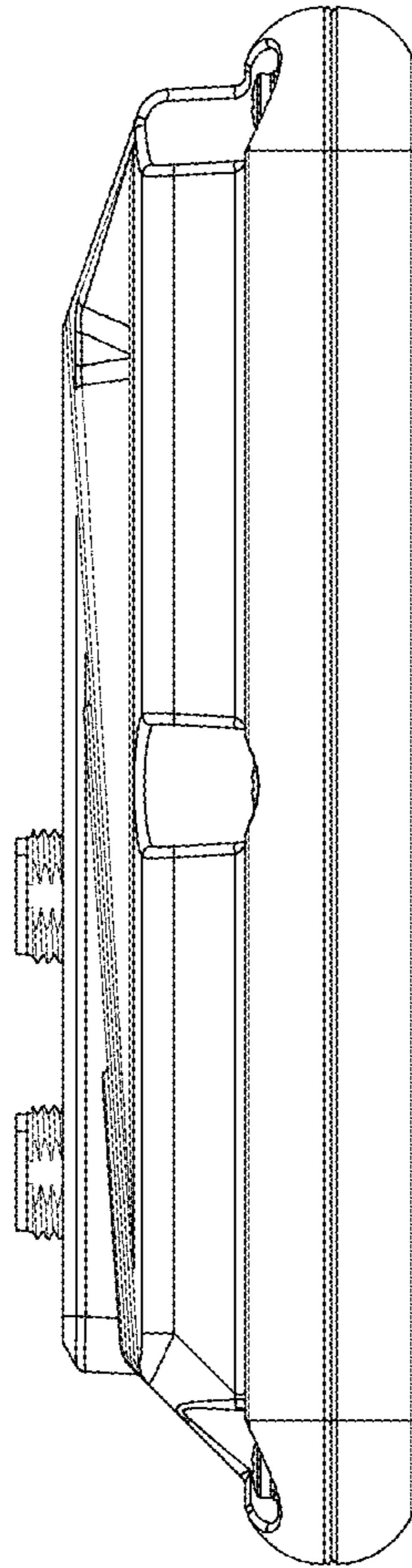


Fig. 4

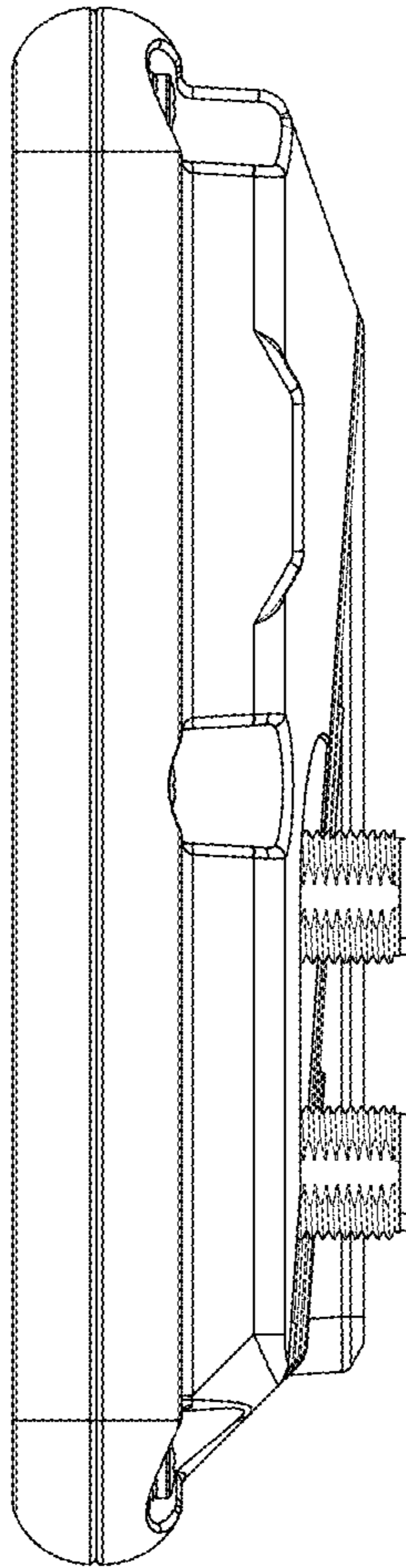


Fig. 5

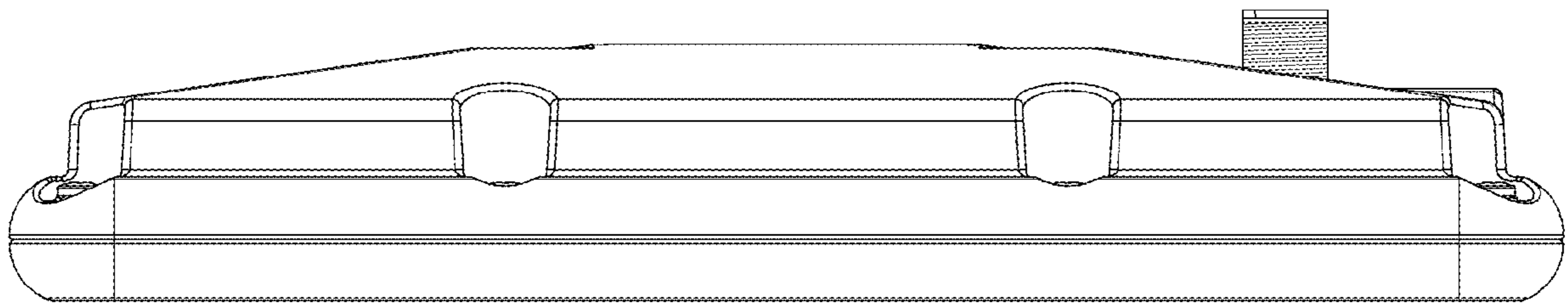


Fig. 6

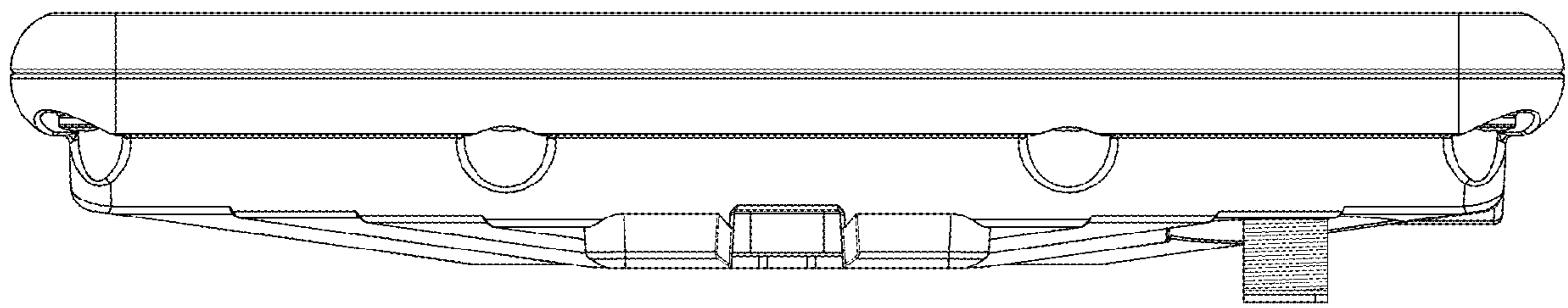


Fig. 7

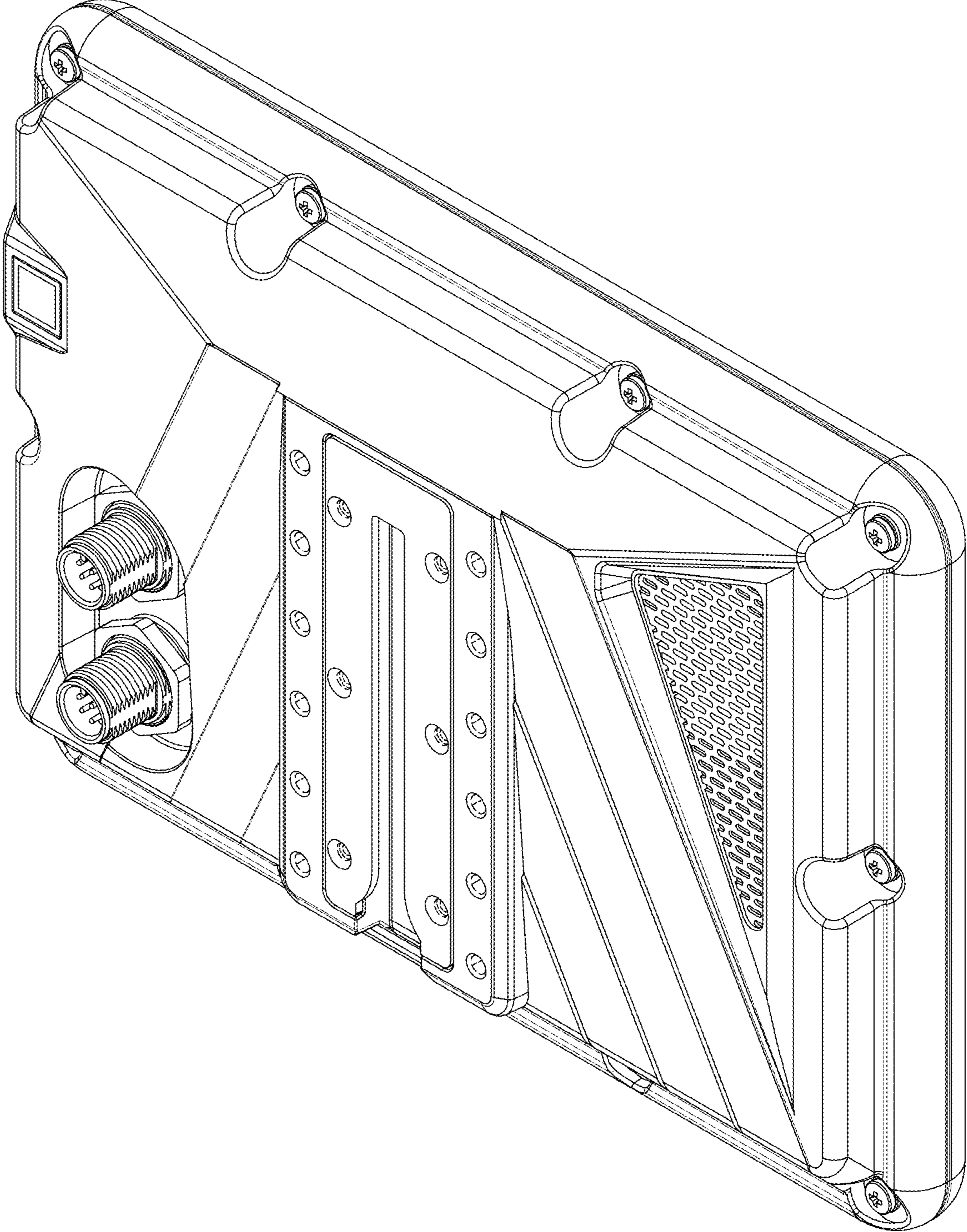


Fig 8