



US00D956743S

(12) **United States Design Patent** (10) **Patent No.:** **US D956,743 S**
Tham et al. (45) **Date of Patent:** **** Jul. 5, 2022**

- (54) **WEARABLE ELECTRONIC DEVICE**
- (71) Applicants: **Yu Jiang Tham**, San Diego, CA (US);
Gerald Nilles, Culver City, CA (US);
Jonathan M. Rodriguez, II, Beverly Hills, CA (US); **Nir Daube**, Pacific Palisades, CA (US)
- (72) Inventors: **Yu Jiang Tham**, San Diego, CA (US);
Gerald Nilles, Culver City, CA (US);
Jonathan M. Rodriguez, II, Beverly Hills, CA (US); **Nir Daube**, Pacific Palisades, CA (US)
- (73) Assignee: **Snap Inc.**, Santa Monica, CA (US)
- (**) Term: **15 Years**
- (21) Appl. No.: **29/804,711**
- (22) Filed: **Aug. 23, 2021**

Related U.S. Application Data

- (63) Continuation of application No. 29/716,800, filed on Dec. 12, 2019, now Pat. No. Des. 928,780.
- (51) **LOC (13) Cl.** **14-02**
- (52) **U.S. Cl.**
USPC **D14/344**
- (58) **Field of Classification Search**
USPC ... D14/126-130, 138, 138 R, 144, 300, 341,
D14/344, 358, 388, 485-495, 218;
D10/30-39, 40, 41, 46, 70, 79, 98, 106.5,
D10/106.6, 106.92, 106.94, 114.6, 123,
D10/125-128, 131; D11/1-4, 26, 40-41,
D11/93, 94, 78.1, 79, 86; D24/167-169,
D24/186-187, 164; D21/324-329
CPC A41D 1/002; A41D 19/0034; G06F 1/08;
G06F 1/10; G06F 1/14; G06F 1/1626;
G06F 1/1628; G06F 1/163; G06F 1/1635;
G06F

(Continued)

- (56) **References Cited**
- U.S. PATENT DOCUMENTS
- D435,460 S * 12/2000 Cebe D10/2
D721,609 S * 1/2015 Duddy D11/3
(Continued)

- OTHER PUBLICATIONS**
- \$250 accessory can be used to make payments, first available Jul. 5, 2017, dailymail.co.uk, [online], [site visited Feb. 6, 2020], Available from internet URL: <https://www.dailymail.co.uk/sciencetech/article-4668286/250-smart-RING-used-make-payments.html> (Year: 2017).
(Continued)

Primary Examiner — Samantha Q Lawrence
Assistant Examiner — Holly M Rodriguez
(74) *Attorney, Agent, or Firm* — Culhane Meadows PLLC; Stephen J. Weed

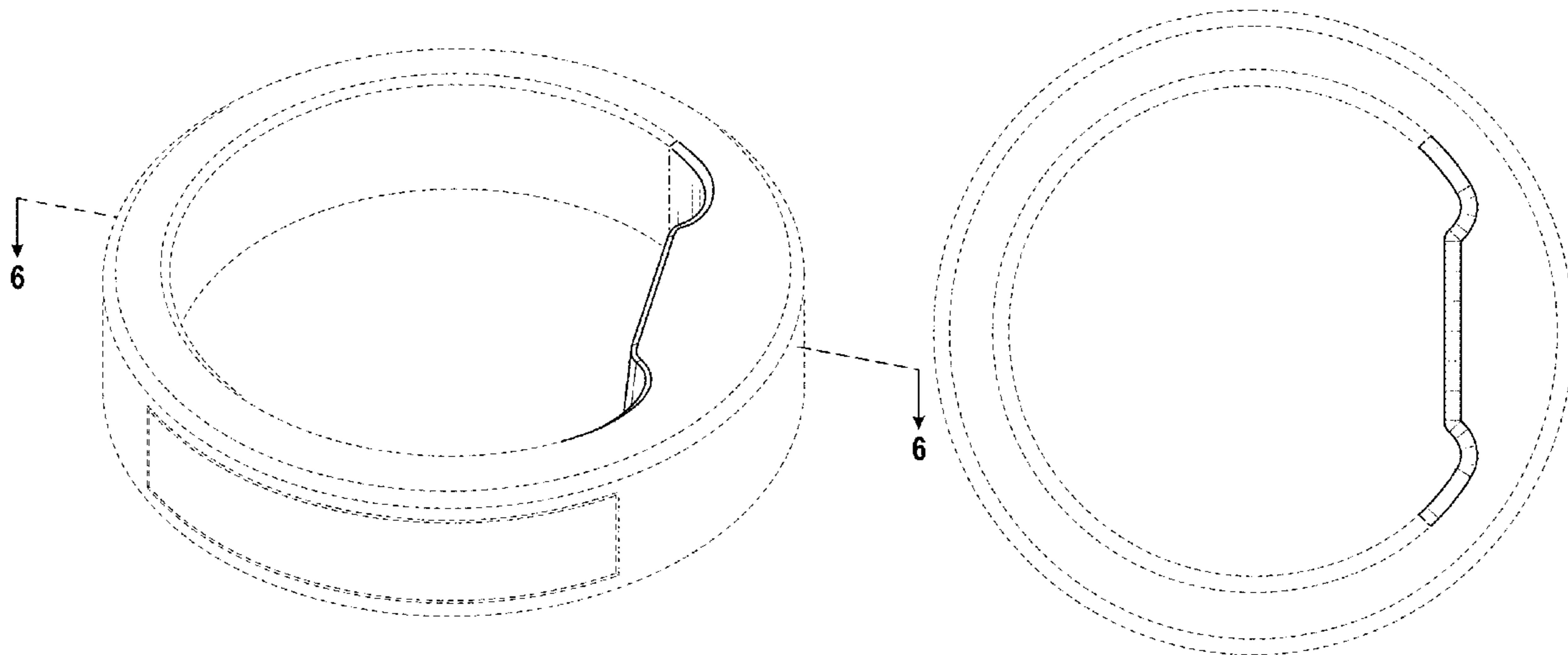
- (57) **CLAIM**
- The ornamental design for a wearable electronic device, as shown and described.

DESCRIPTION

FIG. 1 is a perspective view showing the front and right side of a wearable electronic device showing our new design; FIG. 2 is a top plan view thereof, the bottom plan view being a mirror image thereof; FIG. 3 is a right side view thereof; FIG. 4 is a left side view thereof; FIG. 5 is a sectional view taken along line 5-5 of FIG. 3; and, FIG. 6 is a side sectional view taken along line 6-6 of FIG. 1.

The broken lines shown in FIGS. 1-6 illustrate portions of the wearable electronic device and form no part of the claimed design. The dash-dot lines shown in FIGS. 1-2 and 5-6 illustrate boundary lines form no part of the claim.

1 Claim, 3 Drawing Sheets



(58) **Field of Classification Search**

CPC 1/3203; G06F 1/1613; G06F 2200/1633;
 G06F 3/0488; G06F 3/04886; G06F
 3/044; G06F 3/0412; G06F 3/0416; G06Q
 20/10; G06Q 20/12; G06Q 20/108; G06Q
 20/145; H04B 1/3833; H04B 1/385;
 H04B 1/3888; H04M 1/02; H04M 1/03;
 H04M 1/04; H04M 1/05; H04M 1/667;
 H04M 1/6058; Y02B 60/1217

See application file for complete search history.

(56) **References Cited**

U.S. PATENT DOCUMENTS

D734,329 S 7/2015 Lee
 D756,359 S * 5/2016 Bailey D14/388
 D756,999 S 5/2016 Badinski et al.
 D771,511 S 11/2016 Poesel et al.
 D779,358 S 2/2017 Lin
 D779,995 S 2/2017 Roberts et al.
 D786,862 S 5/2017 Park et al.
 D786,886 S * 5/2017 Herrmann D14/480.3
 D791,764 S * 7/2017 von Badinski D14/344
 D791,765 S 7/2017 Badinski et al.
 D793,272 S * 8/2017 Tsang D11/3
 D798,293 S 9/2017 Park et al.
 9,814,148 B1 11/2017 Huang et al.
 D804,471 S * 12/2017 von Badinski D14/344
 D805,736 S 12/2017 DuBose

D817,496 S * 5/2018 Stirn D24/167
 D832,130 S 10/2018 Bostic
 D838,194 S * 1/2019 Mays D10/70
 D844,599 S * 4/2019 Stipancik D14/344
 D844,600 S * 4/2019 Choi D14/344
 D884,502 S * 5/2020 Kivela D10/70
 10,681,818 B1 * 6/2020 Graber H05K 1/189
 10,754,378 B2 * 8/2020 Ohsawa G06F 1/163
 10,786,163 B2 * 9/2020 Chang A61B 5/6826
 10,943,000 B2 * 3/2021 Shapiro H04L 9/3234
 D928,780 S * 8/2021 Tham D14/344
 2010/0085279 A1 4/2010 Repko
 2011/0209374 A1 9/2011 Padgett et al.
 2013/0104599 A1 5/2013 Beldiman
 2016/0026215 A1 1/2016 Armstrong
 2017/0038797 A1 2/2017 Ohsawa et al.
 2021/0037932 A1 2/2021 Min et al.

OTHER PUBLICATIONS

The Smart Ring: From the 17th Century Wearable Abacus to Today, first available Mar. 7, 2017, interestingengineering.com, [online], [site visited Mar. 3, 2021], Available from internet URL: <https://interestingengineering.com/smart-ring-17th-century-wearable-abacus-today> (Year: 2017).

Token Ring Review, smartringnews.com, [online], [site visited Mar. 3, 2021], Available from internet URL: <https://www.smartringnews.com/posts/token-ring-review-is-it-the-best-nfc-smart-ring-for-contactless-payments-and-access> (Year: 2021).

* cited by examiner

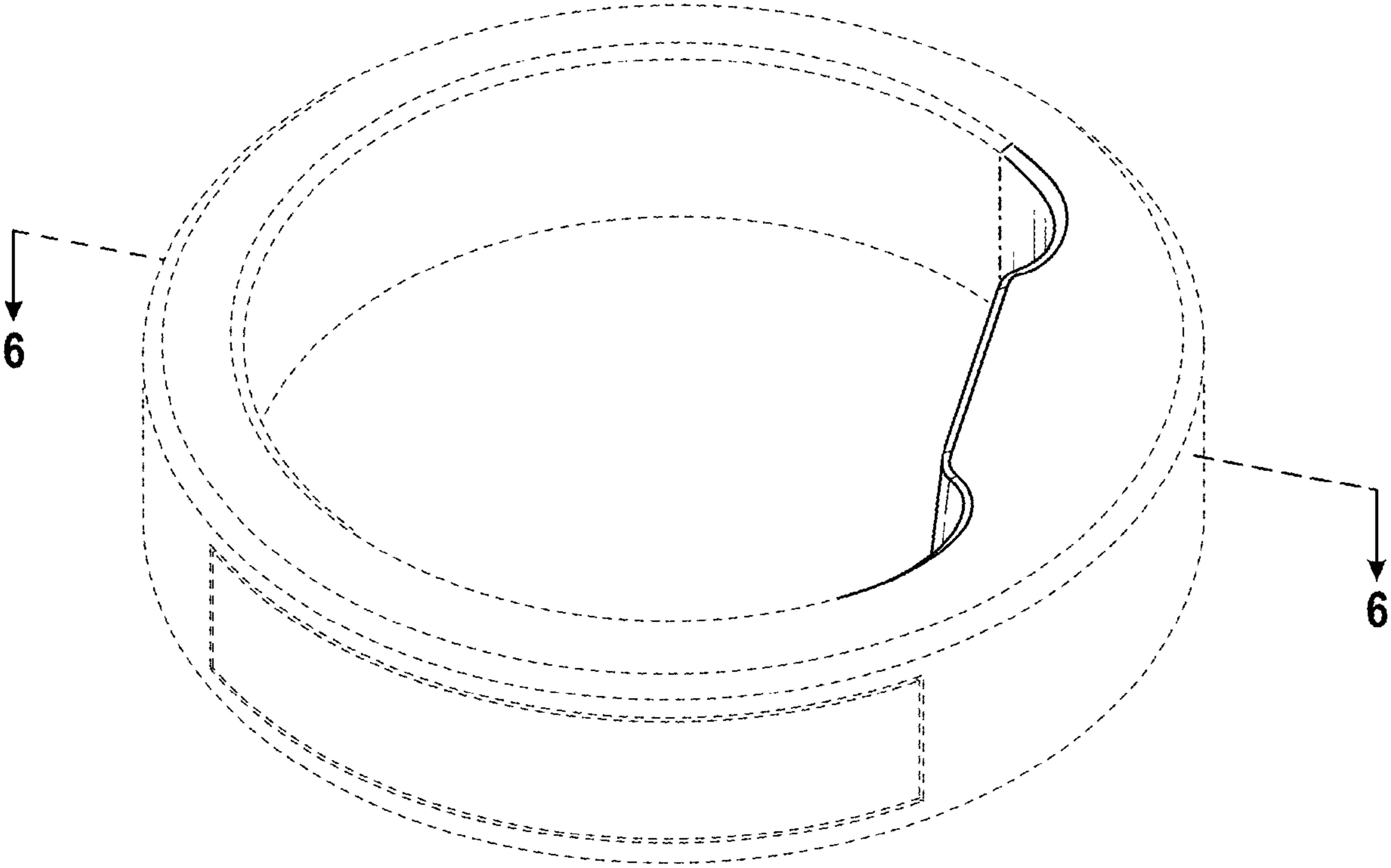


FIG. 1

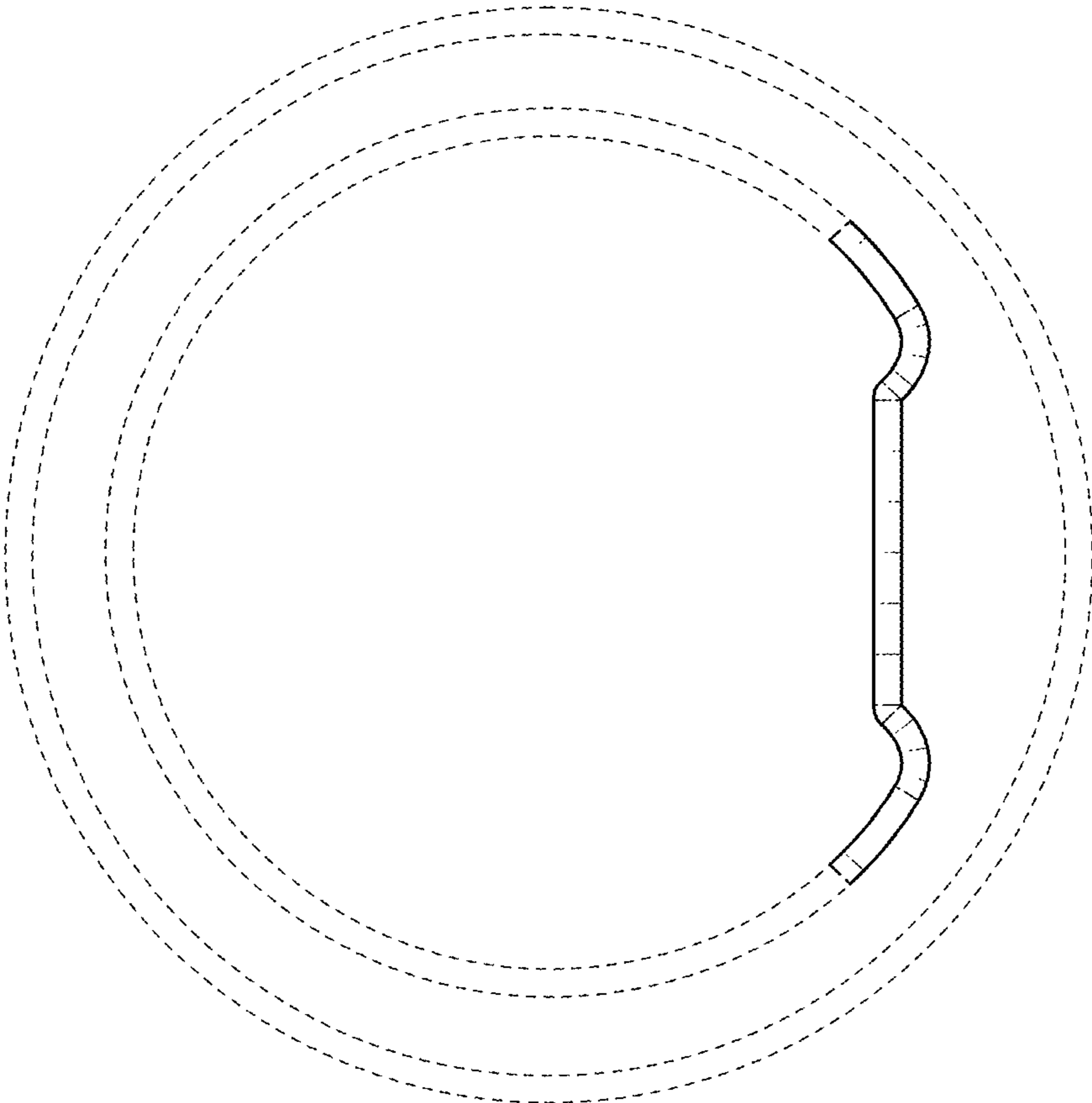


FIG. 2

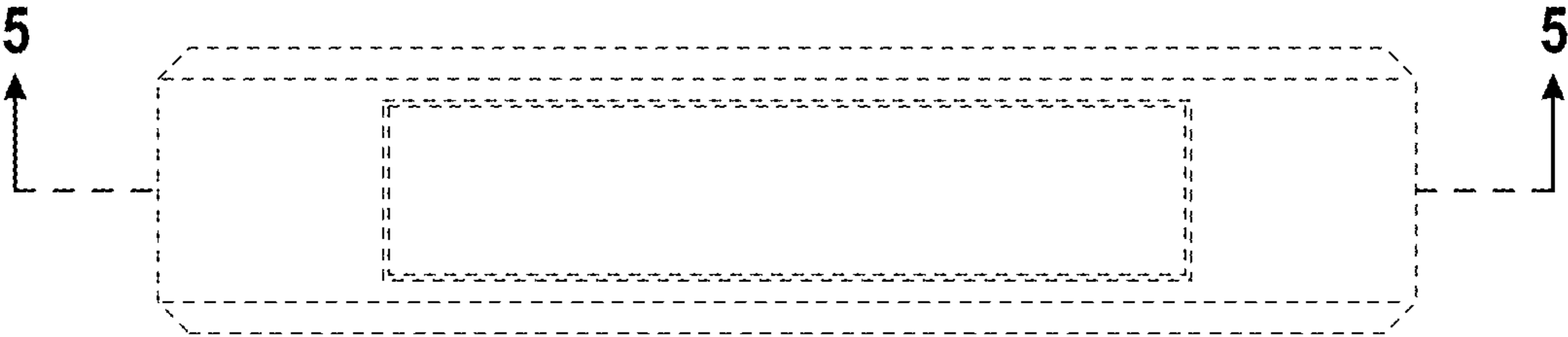


FIG. 3

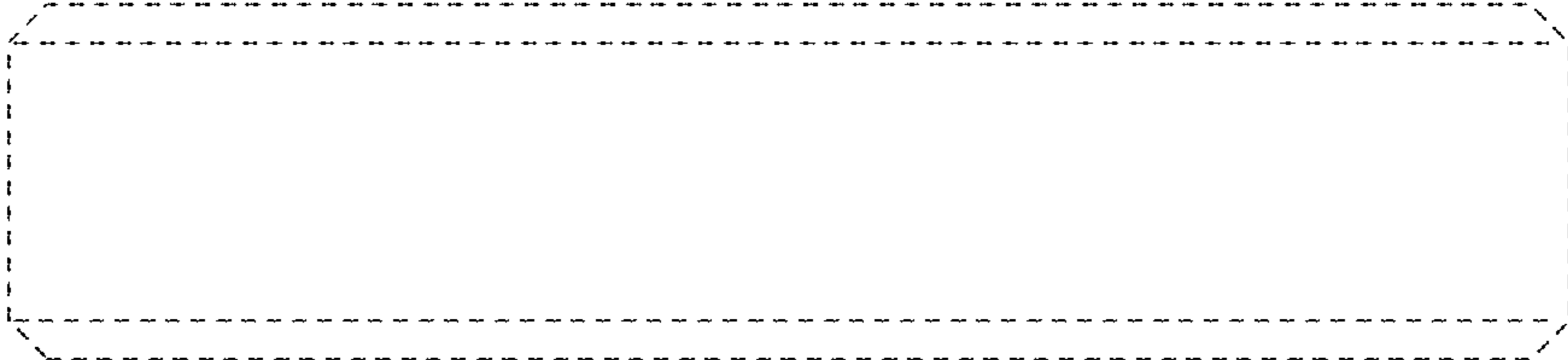


FIG. 4

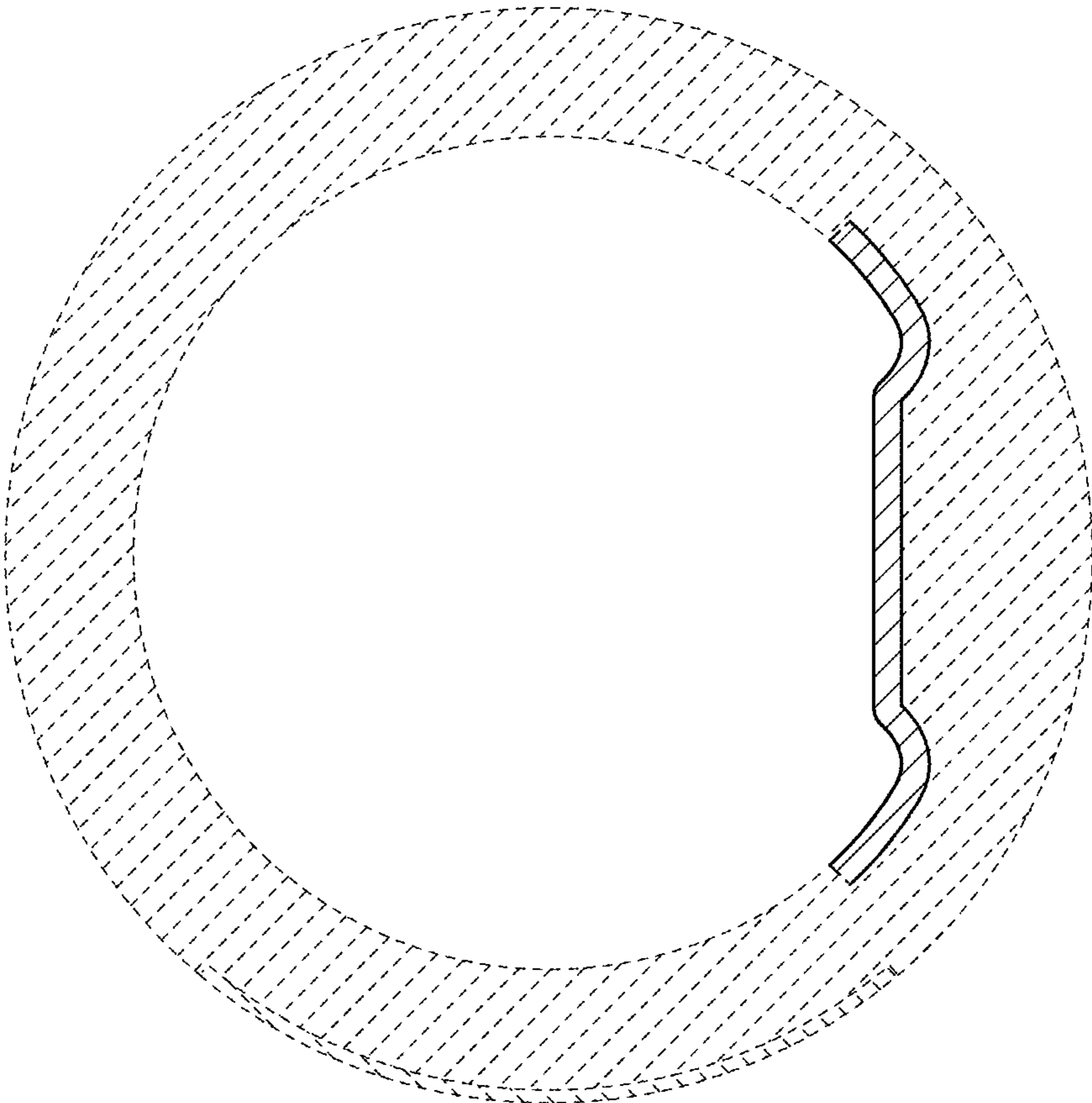


FIG. 5

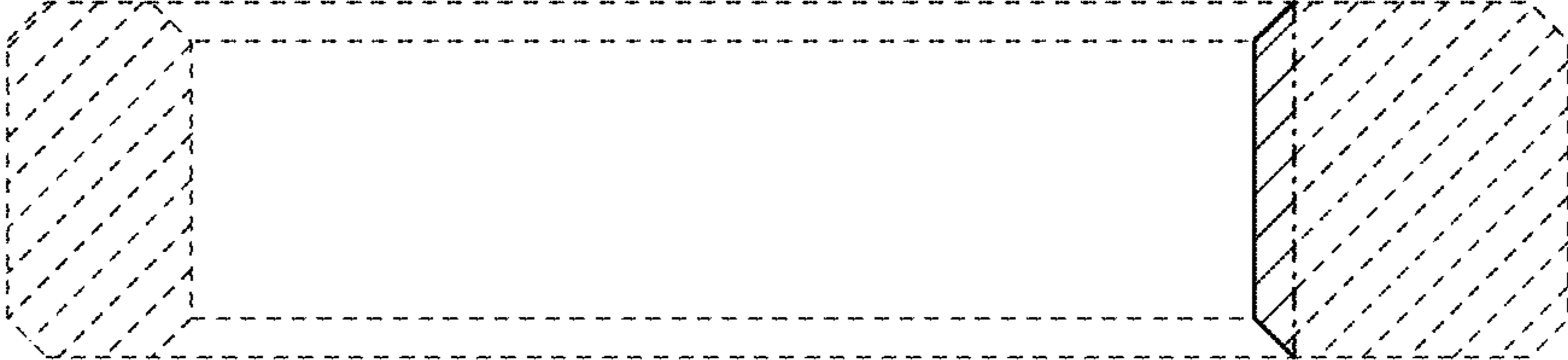


FIG. 6