



US00D956742S

(12) **United States Design Patent**  
**Choi et al.**

(10) **Patent No.:** **US D956,742 S**  
(45) **Date of Patent:** **\*\* Jul. 5, 2022**

(54) **PORTABLE ELECTRONIC DEVICE**

(56) **References Cited**

(71) Applicant: **Samsung Electronics Co., Ltd.**,  
Suwon-si (KR)  
(72) Inventors: **Kwangha Choi**, Seoul (KR); **Sanhui Oh**, Seoul (KR); **Yongseok Bang**,  
Yongin-si (KR); **Jaehyung Hong**, Seoul (KR)

U.S. PATENT DOCUMENTS

3,427,800 A \* 2/1969 Blum ..... G04F 3/02  
368/223  
3,503,203 A \* 3/1970 Gruner ..... G04B 19/235  
368/21

(Continued)

(73) Assignee: **SAMSUNG ELECTRONICS CO., LTD.**, Suwon-si (KR)

OTHER PUBLICATIONS

Thread: Potential speedposted provides inspiration (coin edge), posted Jan. 16, 2010, [retrieved Jan. 3, 2018]. Retrieved from Internet, <URL: [>.\\*](http://forum.tz-uk.com/showthread.php?102667-Potential-speedposted-provides-inspiration-(coin-edge))

(Continued)

(\*\*) Term: **15 Years**

*Primary Examiner* — Joseph Kukella

(21) Appl. No.: **29/645,212**

(74) *Attorney, Agent, or Firm* — McAndrews Held & Malloy, Ltd.

(22) Filed: **Apr. 24, 2018**

**Related U.S. Application Data**

(63) Continuation of application No. 29/582,594, filed on Oct. 28, 2016, now Pat. No. Des. 817,953.

(30) **Foreign Application Priority Data**

Jul. 18, 2016 (KR) ..... 30-2016-0034888

(51) **LOC (13) Cl.** ..... **14-02**

(52) **U.S. Cl.**  
USPC ..... **D14/344**

(58) **Field of Classification Search**  
USPC ... D14/138 R, 144, 341, 344, 358, 388, 218, D14/485-495; D10/30-39, 70, 98; D11/3, 4, 26, 93-94, 78.1, 79, 86; D24/167, 169, 186-187, 164  
CPC ..... A41D 1/002; A41D 19/0034; G06F 1/04; G06F 1/08; G06F 1/10; G06F 1/14; G06F 1/1626; G06F 1/1628; G06F 1/163; G06F 1/1635; G06F 1/3203; G06Q 20/10; G06Q 20/12; G06Q 20/108; G06Q 20/145; H04B 1/3833; H04B 1/385; H04B 1/3888; H04M

(Continued)

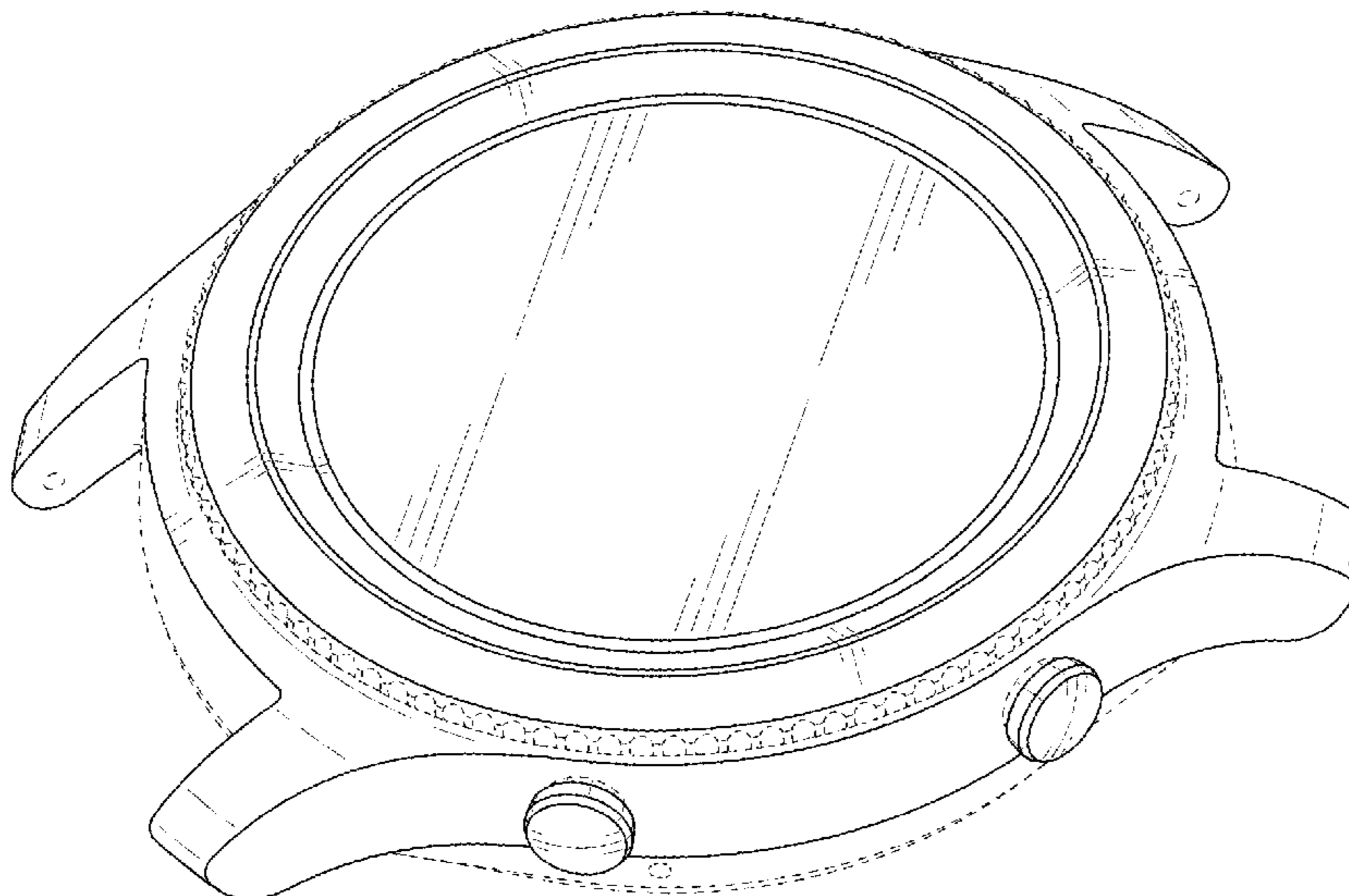
(57) **CLAIM**

The ornamental design for a portable electronic device, as shown and described.

**DESCRIPTION**

FIG. 1 is a front perspective view of a portable electronic device showing our new design; FIG. 2 is a front elevation view thereof; FIG. 3 is a rear elevation view thereof; FIG. 4 is a left side elevation view thereof; FIG. 5 is a right side elevation view thereof; FIG. 6 is a top plan view thereof; FIG. 7 is a bottom plan view thereof; and, FIG. 8 is a bottom perspective view thereof. In the drawings, the unshaded surfaces of the vertical sides, and the subject matter in broken lines, depict portions of the portable electronic device that form no part of the claimed design.

**1 Claim, 6 Drawing Sheets**



(58) **Field of Classification Search**  
 CPC .. 1/02; H04M 1/03; H04M 1/04; H04M 1/05;  
 H04M 1/667; H04M 1/6058; Y02B  
 60/1217

See application file for complete search history.

(56) **References Cited**

U.S. PATENT DOCUMENTS

D270,141	S	*	8/1983	Lam	.....	D10/31
D325,353	S	*	4/1992	Meyer	.....	D10/30
D349,653	S		8/1994	Giardiello		
D352,908	S		11/1994	Schneider		
D376,544	S	*	12/1996	Egbert	.....	D10/30
D421,921	S	*	3/2000	Giardiello	.....	D10/30
D536,266	S	*	2/2007	Tomimatsu	.....	D10/38
D578,904	S	*	10/2008	Calvani	.....	D10/39
D579,350	S		10/2008	Calvani		
D579,792	S	*	11/2008	Galvani	.....	D10/39
D594,765	S	*	6/2009	Rieseler	.....	D10/39
D695,637	S	*	12/2013	Jacquerye	.....	D10/39
D708,074	S	*	7/2014	Tonohori	.....	D10/39
D708,076	S	*	7/2014	Monachon	.....	D10/39
D726,675	S	*	4/2015	Choi	.....	D14/138 R
D730,201	S		5/2015	Giannini		
D733,583	S	*	7/2015	Monachon	.....	D10/39
D736,654	S	*	8/2015	Monachon	.....	D10/39
D738,227	S	*	9/2015	Monachon	.....	D10/32
D751,929	S	*	3/2016	Ette	.....	D10/39
D760,096	S		6/2016	Lutgen		
D760,606	S	*	7/2016	Bonadei	.....	D10/38
9,665,068	B2		5/2017	Lee		
D802,445	S	*	11/2017	El Alej	.....	D10/30

D803,210	S	*	11/2017	Bang	.....	D14/344
9,829,917	B2	*	11/2017	Lee	.....	G06F 1/163
D806,070	S	*	12/2017	Bang	.....	D14/344

OTHER PUBLICATIONS

Samsung Gear S3 officially announced: here's what you need to know, posted Aug. 31, 2016, [retrieved Jan. 3, 2018]. Retrieved from Internet, <URL: <https://www.androidauthority.com/samsung-gear-s3-specs-price-release-date-713365/>>.\*

5 Amazing Dive Watches, posted Jul. 29, 2014, [retrieved Jan. 3, 2018]. Retrieved from Internet, <URL: <http://www.prowatches.org/5-amazing-dive-watches/>>.\*

August Steiner Men's AS8189SSBR Silver Multifunction Quartz Watch with White and Black Dial and Brown Leather Strap, posted Sep. 23, 2015, [retrieved Jan. 3, 2018]. Retrieved from Internet, <URL: <https://www.amazon.com/August-Steiner-AS8189SSBR-Multifunction-Leather/dp/B013GEMFFY>>.\*

Huawei Watch 2, posted May 24, 2017, [retrieved Jan. 3, 2018]. Retrieved from Internet, <URL: <https://www.pcmag.com/review/352389/huawei-watch-2>>.\*

Samsung Gear S3 officially announced: here's what you need to know, posted Aug. 31, 2016, [retrieved Apr. 4, 2018]. Retrieved from Internet, <URL: <https://www.androidauthority.com/samsung-gear-s3-specs-price-release-date-713365/>>.\*

August Steiner Men's AS8189SSBR Silver Multifunction Quartz Watch with White and Black Dial and Brown Leather Strap, posted Sep. 23, 2015, [retrieved Apr. 4, 2018]. Retrieved from Internet, <URL: <https://www.amazon.com/August-Steiner-AS8189SSBR-Multifunction-Leather/dp/B013GEMFFY>>.\*

\* cited by examiner

FIG. 1

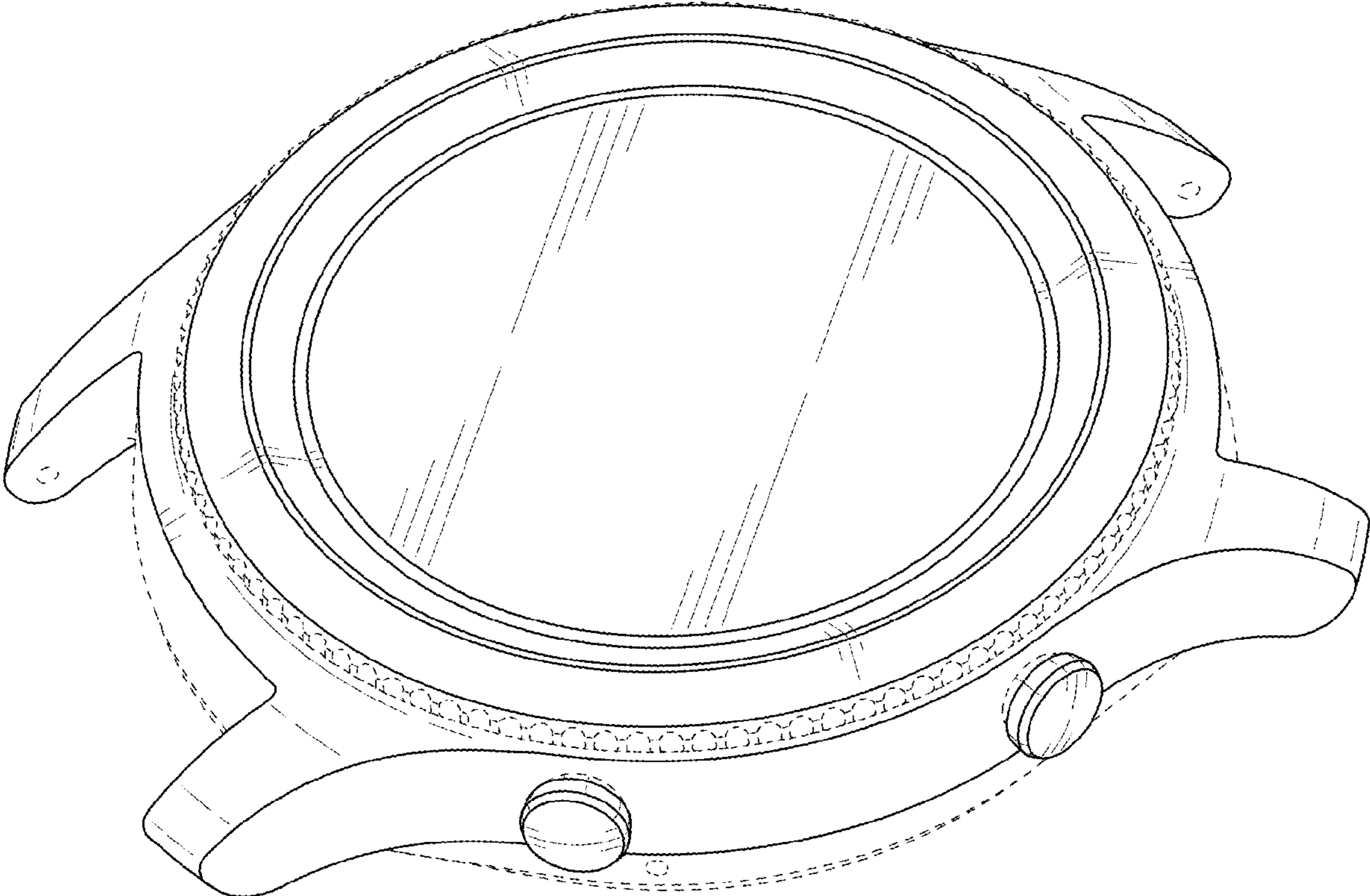


FIG. 2

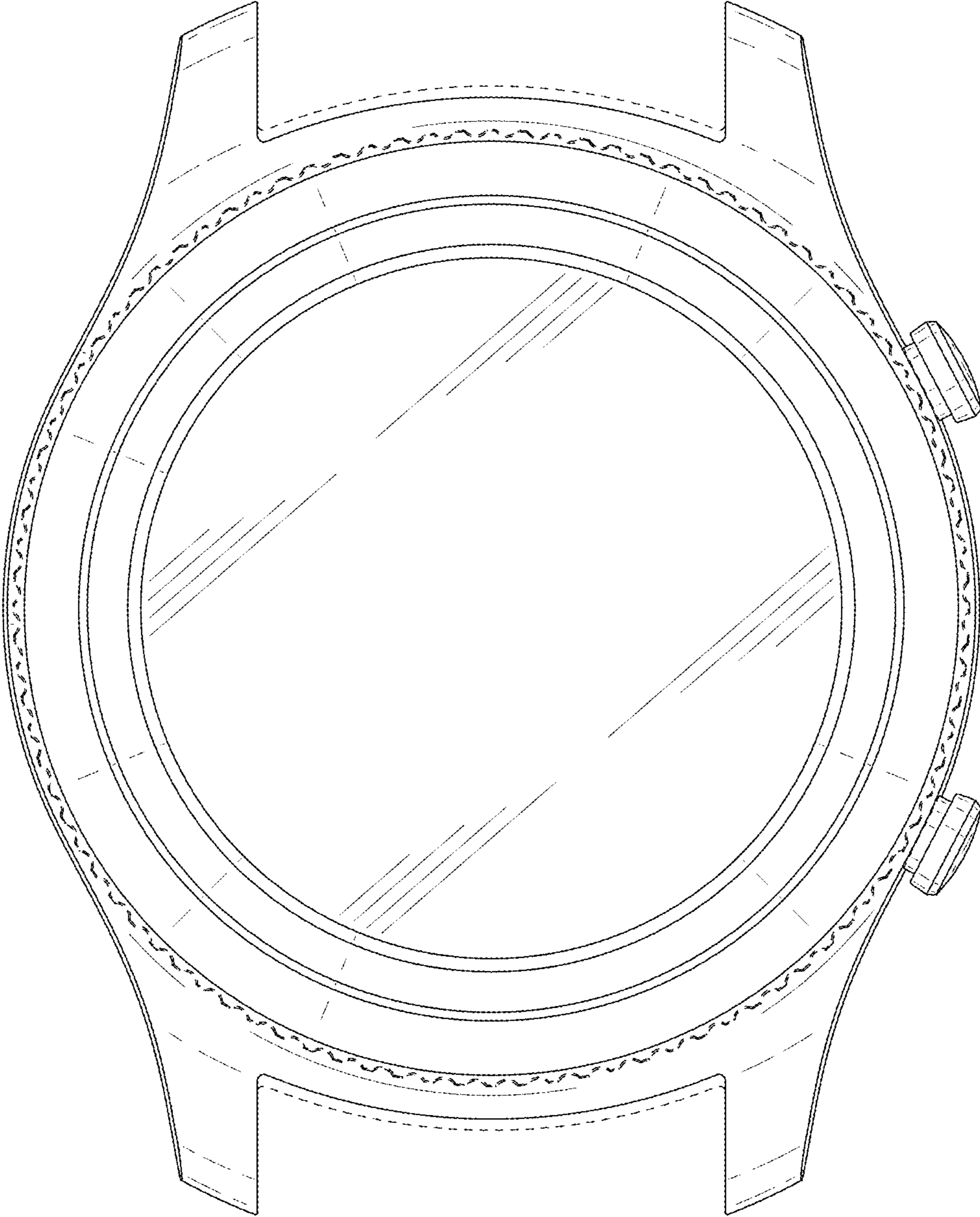


FIG. 3

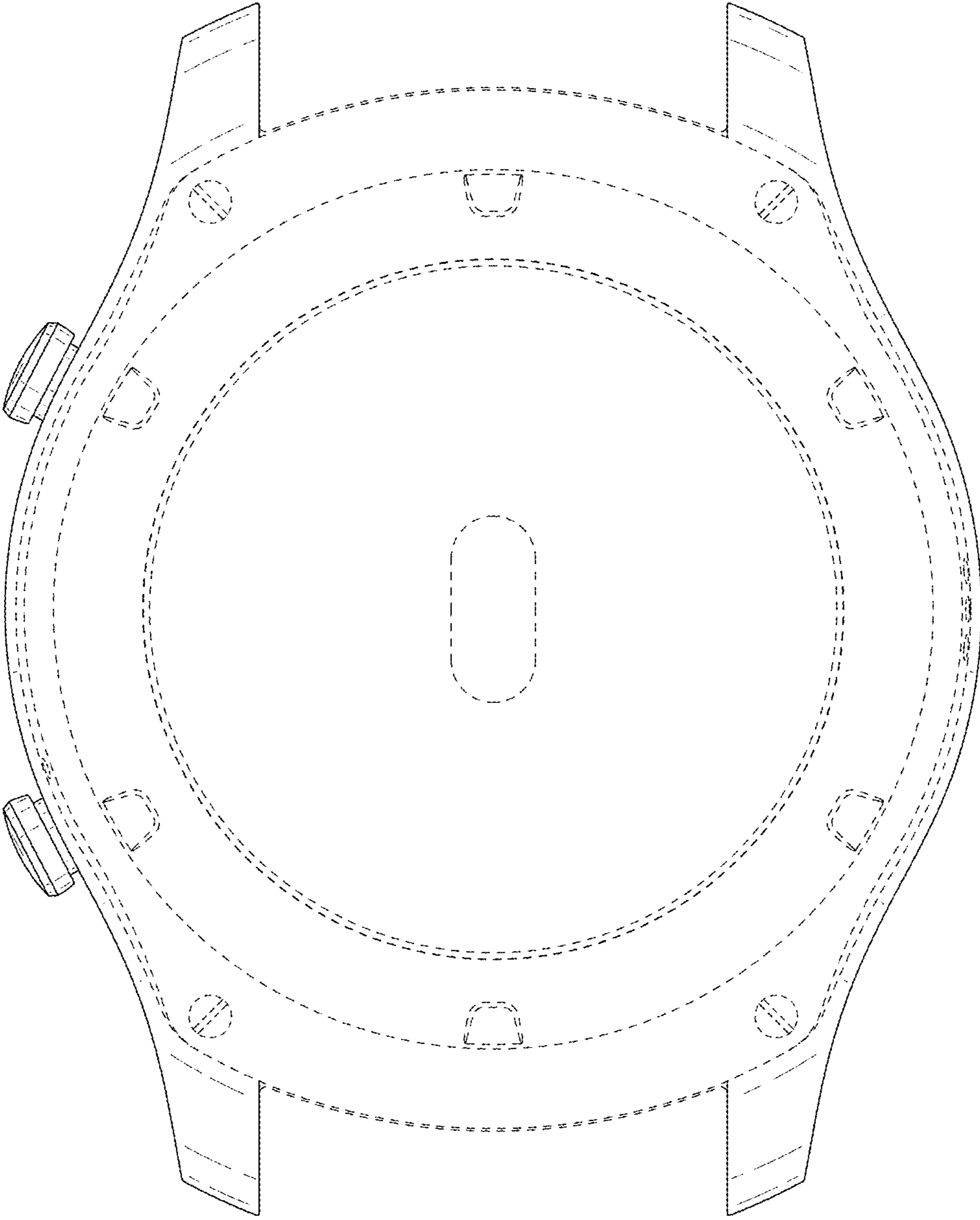


FIG. 4

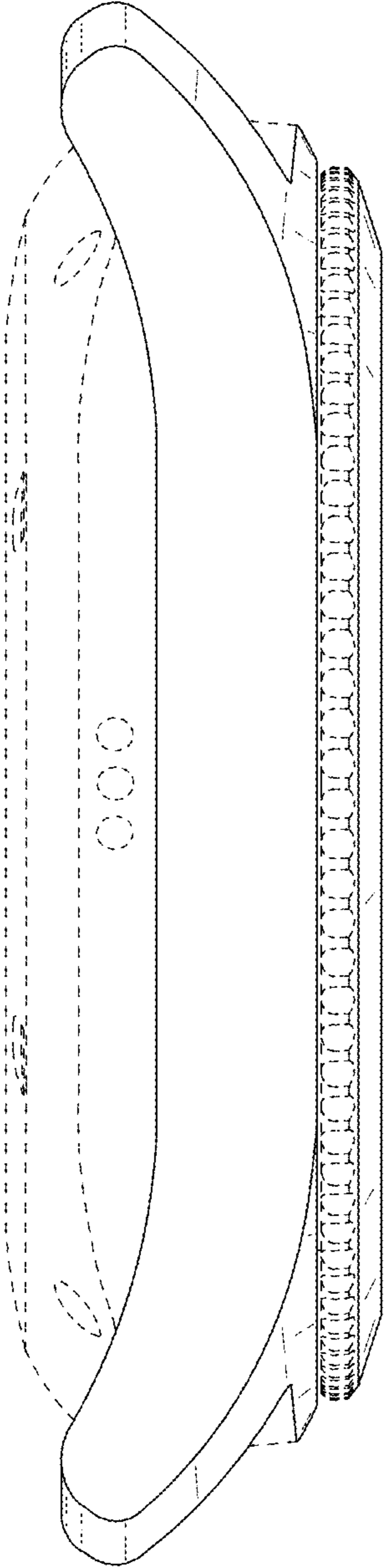


FIG. 5

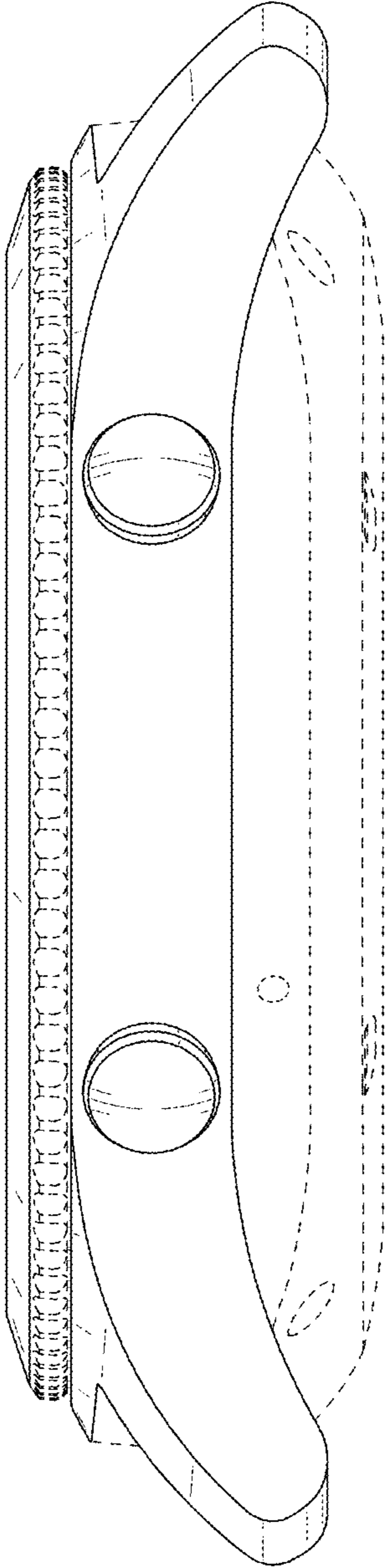


FIG. 6

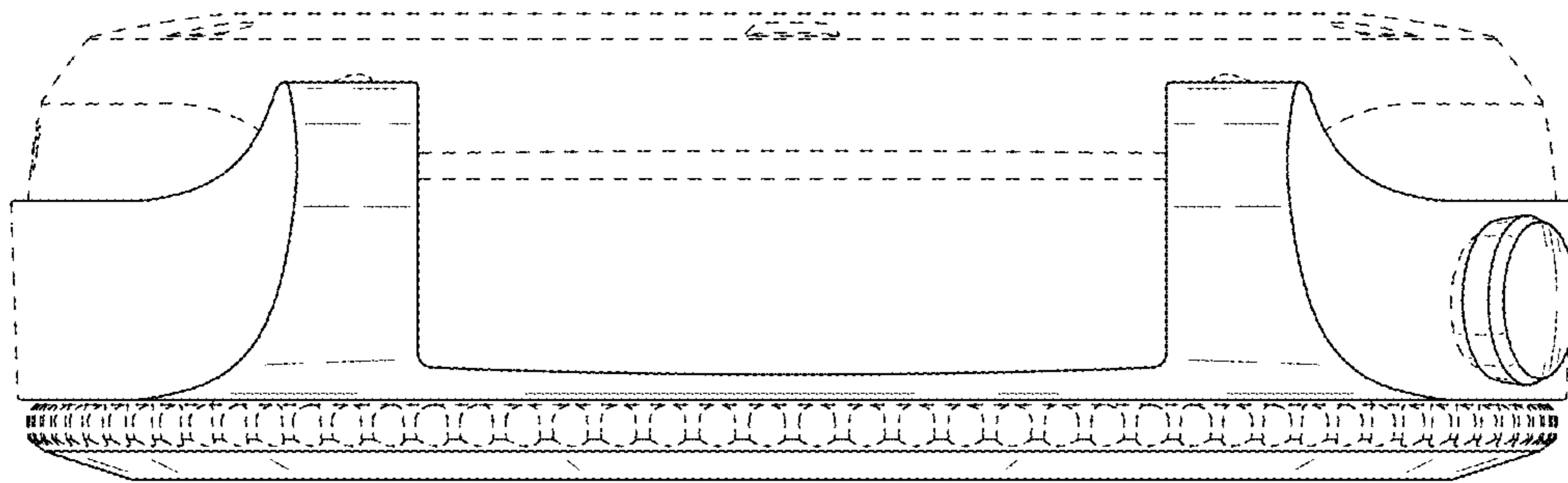


FIG. 7

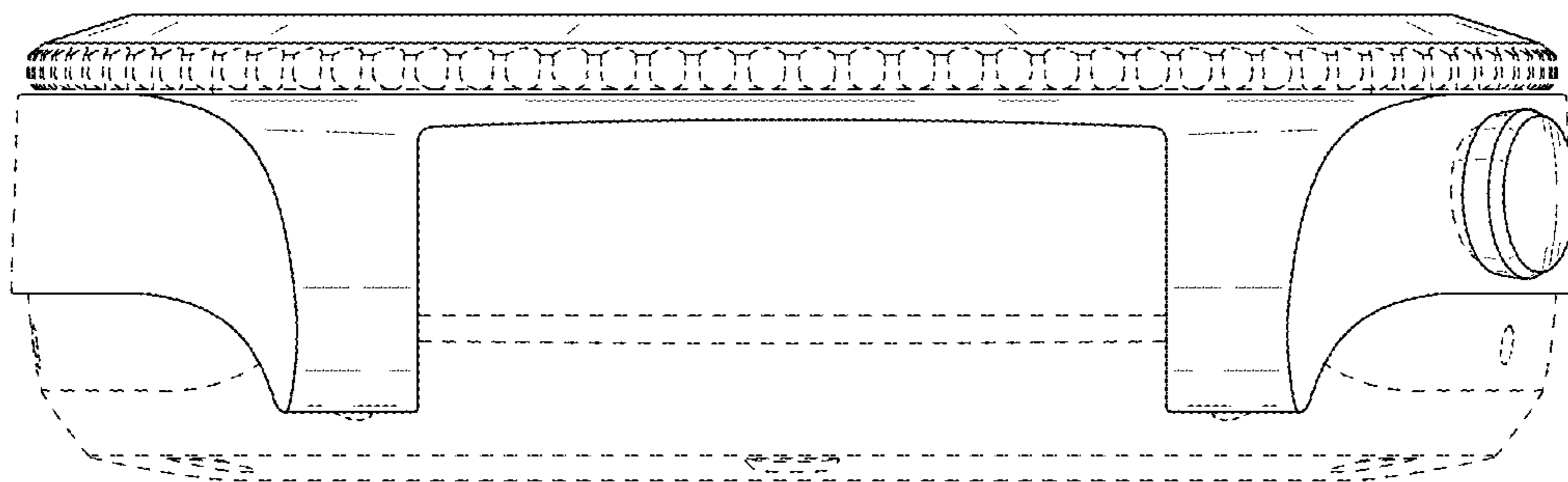


FIG. 8

