



US00D956741S

(12) **United States Design Patent**
Solomon et al.

(10) **Patent No.:** **US D956,741 S**
(45) **Date of Patent:** **** Jul. 5, 2022**

(54) **COMPUTING DEVICE**

5/44; H04M 1/185; H05K 7/1465; B41J 5/00; B41J 5/10; B41J

(71) Applicant: **Tangible Play, Inc.**, Palo Alto, CA (US)

(Continued)

(72) Inventors: **Mark Solomon**, San Jose, CA (US); **Ross Neuman**, Mountain View, CA (US); **Troy Tye**, Calgary (CA)

(56)

References Cited

U.S. PATENT DOCUMENTS

D670,286 S * 11/2012 Akana D14/341
D677,660 S * 3/2013 Groene D14/341

(Continued)

(73) Assignee: **Tangible Play, Inc.**, Palo Alto, GA (US)

OTHER PUBLICATIONS

(**) Term: **15 Years**

VASTKING KingPad K10 10 inch Tablet, first available Jan. 18, 2021, amazon.com, [online], [site visited Jul. 16, 2021], Available from internet URL: https://www.amazon.com/VASTKING-KingPad-1920x1200-Resolution-Bluetooth/dp/B08T8XZPC1/ref=sr_1_20?dchild=1&keywords=tablet&qid=1626%E2%80%A6 (Year: 2021).*

(Continued)

(21) Appl. No.: **29/735,512**

(22) Filed: **May 21, 2020**

(51) **LOC (13) Cl.** **14-02**

(52) **U.S. Cl.**

USPC **D14/341**

(58) **Field of Classification Search**

USPC D14/388-389, 371, 374, 420, 426, D14/129-130, 315-318, 341-347, 496, D14/126, 137, 147, 240, 336, 356, 400, D14/403, 412, 138 R, 138 AA, 138 C, D14/138 G, 117.1, 124-125; D21/324, D21/329, 330-333, 353, 383, 409, D21/575-579; D24/186; D10/104.4, 50, D10/65, 74, 61; D6/308, 310-311, 643; D20/10, 39, 40-42; D25/140-141; D19/75, 91, 20-24, 113-114, 26, 59, 60

CPC G06F 1/16; G06F 1/1632; G06F 1/1616; G06F 1/1626; G06F 1/1658; G06F 1/1688; G06F 1/1613; G06F 2200/1633; G06F 3/0488; G06F 3/04886; G06F 3/044; G06F 3/0412; G06F 3/0416; G06F 3/01; G06F 3/016; G06F 1/1664; G06F 1/1637; H01M 10/44; F16M 11/10; F16M 11/02; A45C 2011/002; A45C 2011/003; A63F 2300/00; A63H 2200/00; A47G 1/141; A47G 1/0605; A47G 1/142; H04B 1/3888; H04N 5/64; H04N 7/14; H04N

Primary Examiner — Samantha Q Lawrence

Assistant Examiner — Holly M Rodriguez

(74) *Attorney, Agent, or Firm* — VLP Law Group

(57)

CLAIM

The ornamental design for a computing device, as shown and described.

DESCRIPTION

FIG. 1 is a front, left perspective view of a computing device according to a first embodiment.

FIG. 2 is a right, rear perspective view thereof.

FIG. 3 is a top view thereof.

FIG. 4 is a bottom view thereof.

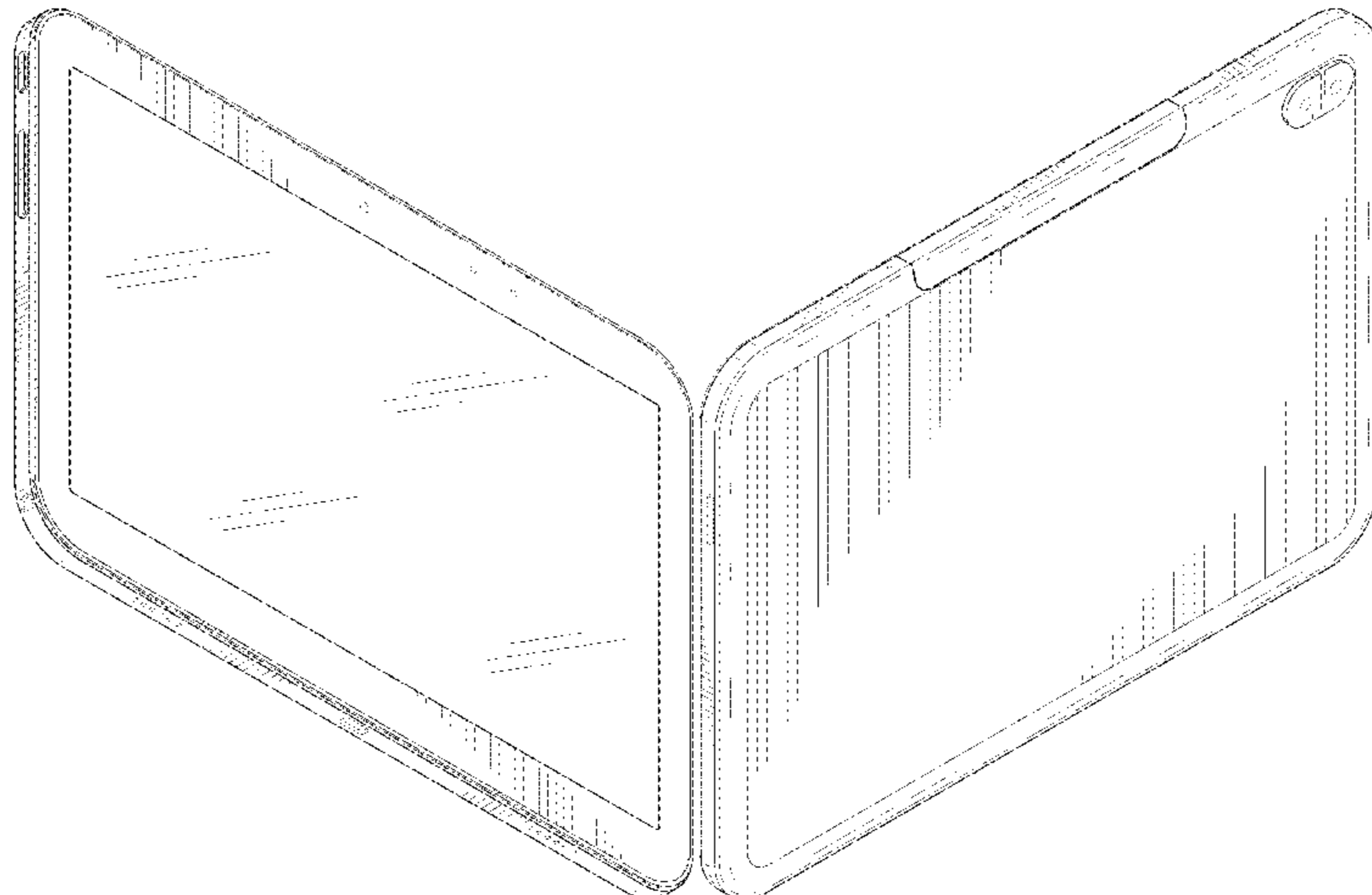
FIG. 5 is a left side view thereof.

FIG. 6 is a right side view thereof.

FIG. 7 is a front view thereof; and,

FIG. 8 is a rear view thereof.

(Continued)



Within the drawings, the broken lines show unclaimed portions of the computing device, including a speaker enclosure, cameras, and other ports and form no part of the claimed design.

1 Claim, 6 Drawing Sheets

(58) **Field of Classification Search**

CPC 5/12; B43L 1/00; B43L 1/008; B43L 1/08; B43L 1/04; B43L 5/00; B43L 5/02; G09F 15/00; G09F 15/0006; G09F 15/0068; G09F 15/0012; G09F 2007/1834; G09F 2007/1856

See application file for complete search history.

(56) **References Cited**

U.S. PATENT DOCUMENTS

D684,969 S	*	6/2013	Smith	D14/341
D696,246 S	*	12/2013	Kim	D14/341
D711,371 S	*	8/2014	Chen	D14/341
D714,782 S	*	10/2014	Ohshima	D14/341
D716,293 S	*	10/2014	Hwang	D14/341
D786,238 S	*	5/2017	Roberts	D14/341

D826,930 S	*	8/2018	Iida	D14/341
D836,580 S	*	12/2018	Ostensen	D14/126
D886,754 S	*	6/2020	Ha	D14/138 G
D903,620 S	*	12/2020	Fujimura	D14/138 G
D905,050 S	*	12/2020	Kim	D14/341
D907,035 S	*	1/2021	Kim	D14/341
D909,326 S	*	2/2021	Yu	D14/138 G
D917,464 S	*	4/2021	Kang	D14/341
D919,589 S	*	5/2021	Ji	D14/138 G
D923,619 S	*	6/2021	Matsumoto	D14/341

OTHER PUBLICATIONS

Tablet 10.1 Inch Android 10.0 Tablets 4 GB, first available May 31, 2021, amazon.com, [online], [site visited Jul. 15, 2021], Available from internet URL: https://www.amazon.com/Android-Tablets-Storage-Processor-8000mAh/dp/B094VTBGCV/ref=sr_1_34?dchild=1&keywords=tablet&qid=1626470192&%E2%80%A6 (Year: 2021).*

YESTEL 10.1 Inch Tablet 4G, first available Jul. 24, 2020, amazon.com, [online], [site visited Jul. 16, 2021], Available from internet URL: https://www.amazon.com/YESTEL-Android-10-0-Tablet-Ultra-Fast/dp/B08DKQC328/refpd_di_sccai_6/145-7359060-8787100?pd_rd_w=1xmUc&pf_%E2%80%A6 (Year: 2020).*

First Examination Report, IN335254001, dated Dec. 29, 2020 (2 pages).

* cited by examiner

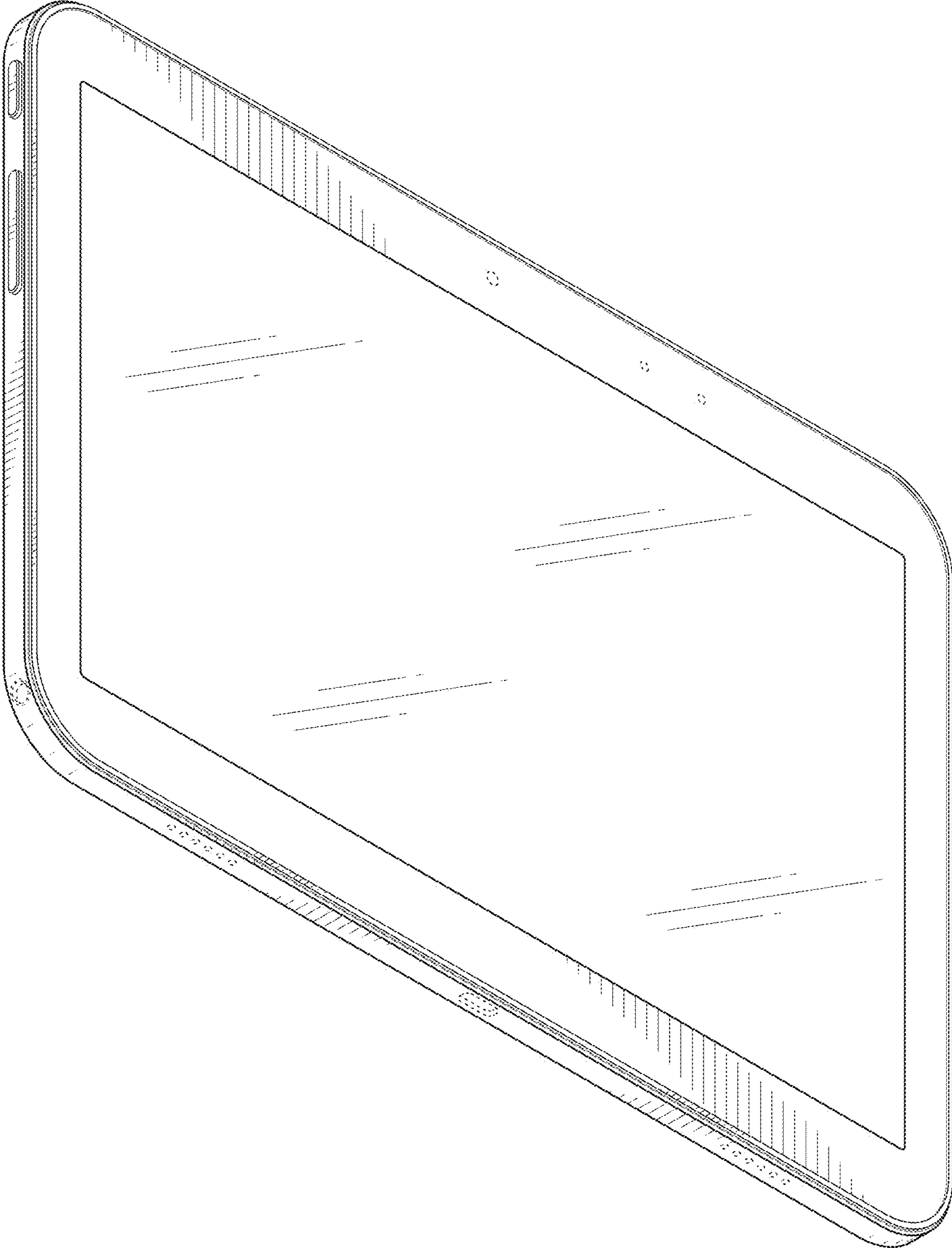


FIG. 1

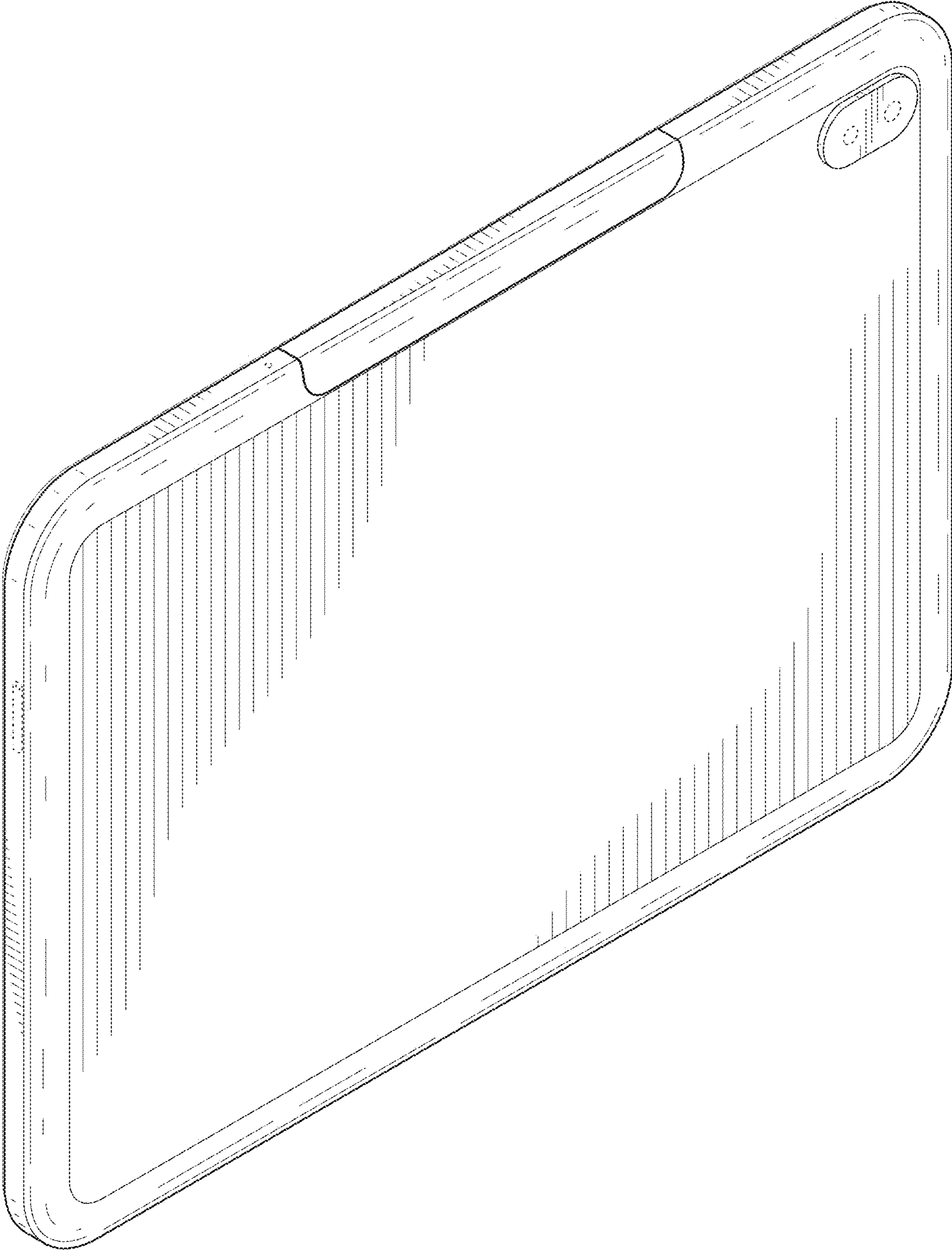


FIG. 2

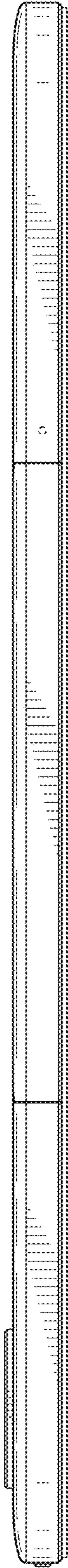


FIG. 3

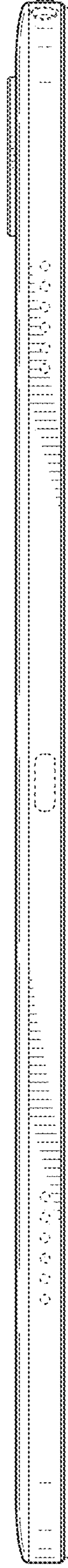


FIG. 4



FIG. 6

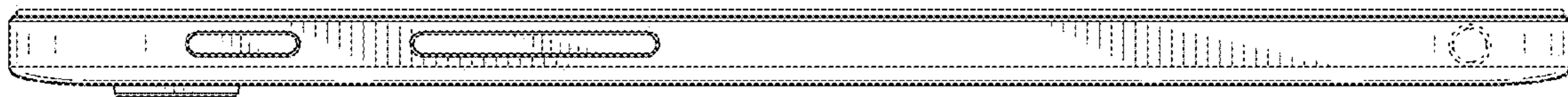


FIG. 5

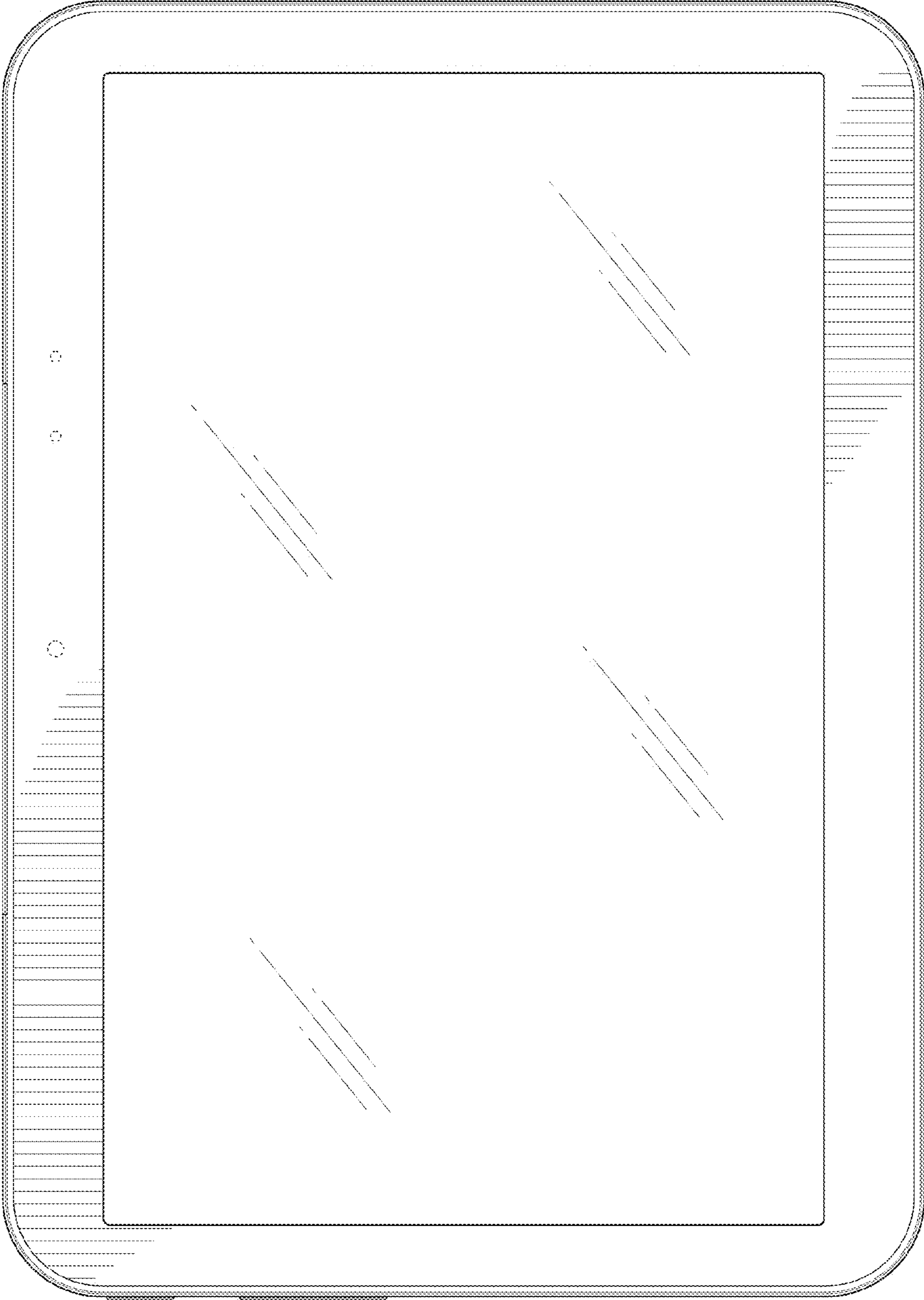


FIG. 7

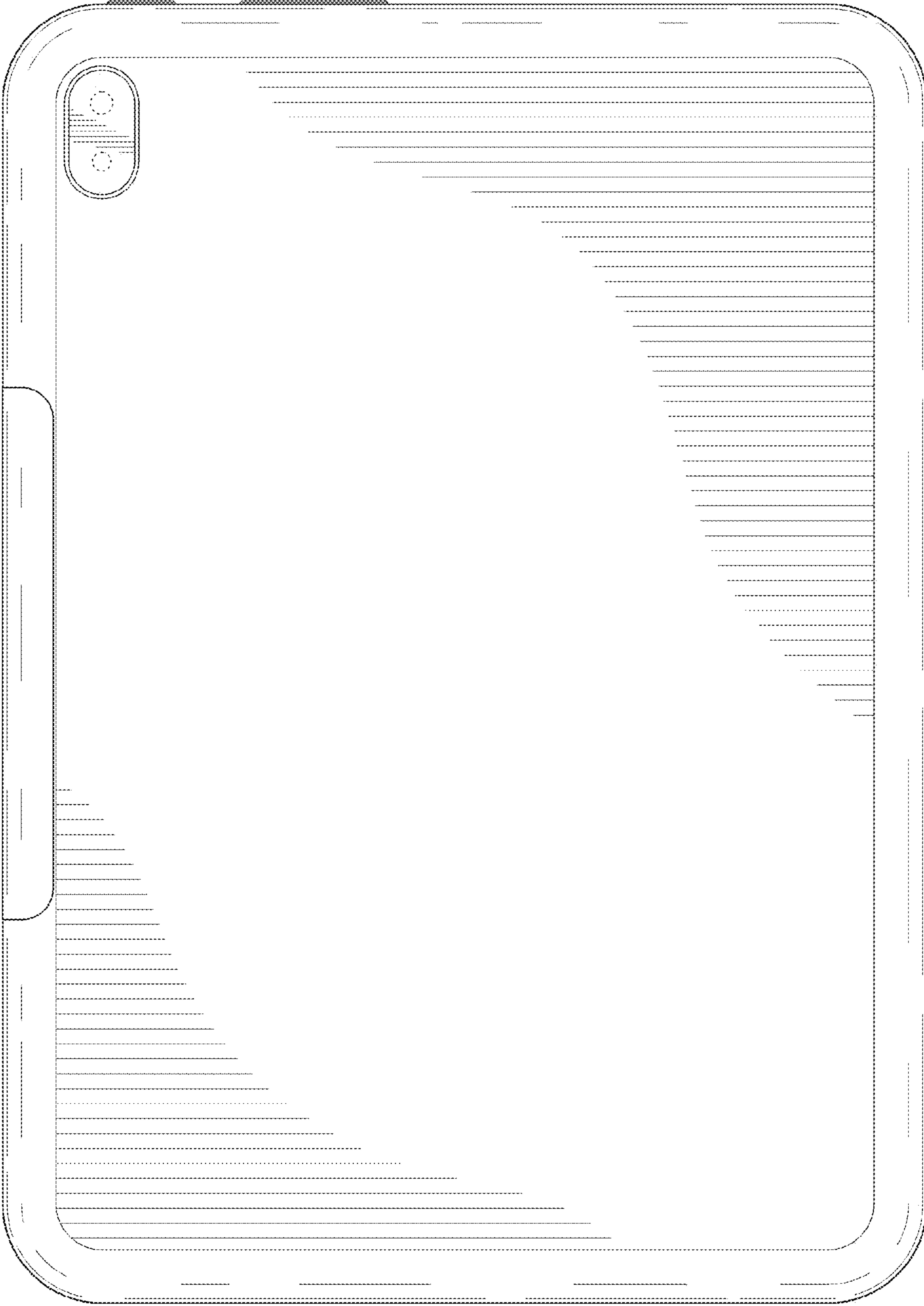


FIG. 8