

US00D956737S

(12) **United States Design Patent**  
**Kim et al.**

(10) **Patent No.:** **US D956,737 S**

(45) **Date of Patent:** **\*\* Jul. 5, 2022**

(54) **MOBILE PHONE**

FOREIGN PATENT DOCUMENTS

(71) Applicant: **LG ELECTRONICS INC.**, Seoul (KR)

GB	8203667000-1000	*	5/2019
IN	269850-0001	*	8/2015
JP	D1502484	*	7/2014

(72) Inventors: **Sojin Kim**, Seoul (KR); **Hongkyu Park**, Seoul (KR); **Jonghak Lee**, Seoul (KR); **Jinki Min**, Seoul (KR); **Seunghyun Ji**, Seoul (KR)

OTHER PUBLICATIONS

First Foldable Tablet Phone, tabletmonkeys.com, Sep. 5, 2017. <https://tabletmonkeys.com/first-foldable-tablet-phone-zte-axon-multy-to-launch-in-october-according-to-leak/> (Year: 2017).\*

(73) Assignee: **LG ELECTRONICS INC.**, Seoul (KR)

(Continued)

(\*\*) Term: **15 Years**

*Primary Examiner* — Llorelys Martinez

(21) Appl. No.: **29/733,724**

*Assistant Examiner* — Kwabena A. Ankobiah

(22) Filed: **May 6, 2020**

(74) *Attorney, Agent, or Firm* — Birch, Stewart, Kolasch & Birch, LLP

(30) **Foreign Application Priority Data**

(57) **CLAIM**

Nov. 7, 2019 (JP) ..... 2019-024826

The ornamental design for a mobile phone, as shown and described.

(51) **LOC (13) Cl.** ..... **14-03**

**DESCRIPTION**

(52) **U.S. Cl.**

USPC ..... **D14/341**

(58) **Field of Classification Search**

USPC ..... D14/336, 341, 342, 345, 348, 371, 374, D14/378, 379, 426, 432, 439, 126, 129, D14/130, 496, 137, 138 R, 138 AA, D14/138 AB, 138 AC, 138 AD, 138 C, D14/138 G, 147, 203.1, 203.3, 203.4, D14/203.7, 218, 247, 248, 388, 389; D6/308; D10/104.1, 50, 74; D21/324,  
(Continued)

FIG. 1 is a front perspective view of the mobile phone showing our new design;  
FIG. 2 is a front view thereof;  
FIG. 3 is a rear view thereof;  
FIG. 4 is a left side view thereof;  
FIG. 5 is a right side view thereof;  
FIG. 6 is a top plan view thereof;  
FIG. 7 is a bottom plan view thereof;  
FIG. 8 is a rear perspective view thereof; and,  
FIG. 9 is another rear perspective view thereof, showing the mobile phone where a graphic is displayed.

(56) **References Cited**

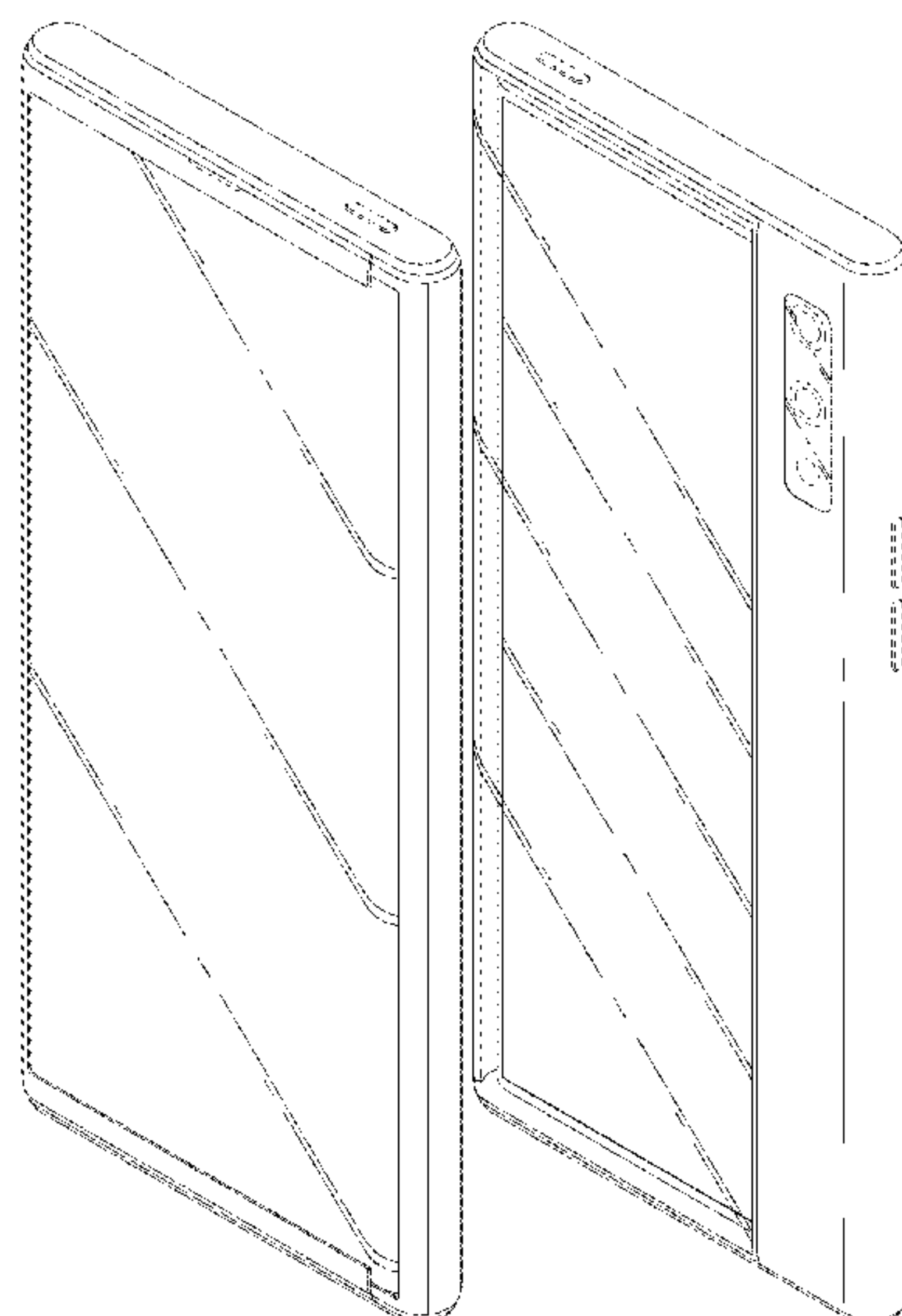
U.S. PATENT DOCUMENTS

D636,752 S \* 4/2011 Liao ..... D14/138 G  
8,711,566 B2 \* 4/2014 O'Brien ..... G06F 1/1624  
361/724

The broken lines in the drawings illustrate portions of the mobile phone that form no part of the claimed design. The other broken lines in FIG. 9, showing a graphic, represent environmental subject matter only and form no part of the claimed design.

(Continued)

**1 Claim, 9 Drawing Sheets**



(58) **Field of Classification Search**

USPC ..... D21/329, 330, 332; D24/186; D13/130,  
D13/107, 118, 119  
CPC ..... G06F 3/041; G06F 3/0412; G06F 3/0488;  
G06F 3/04883; G06F 1/1613; G06F  
1/1626; G06F 1/1692; H04M 1/0202;  
H04M 1/0235; H04M 1/0237; H04M  
1/0239; H04M 1/0266; H04M 1/0268;  
H04M 1/027; H04M 1/0295; H04M 1/02;  
H04M 1/0279; H04M 1/0283; H04M  
1/72463; H04M 1/72469; H04M 1/72454;  
G09G 3/344

See application file for complete search history.

(56) **References Cited**

U.S. PATENT DOCUMENTS

D716,253 S \* 10/2014 Lee ..... D14/138 AB  
D722,037 S \* 2/2015 Nam ..... D14/138 G  
D761,251 S \* 7/2016 Senda ..... D14/341  
D761,253 S \* 7/2016 Yamazaki ..... D14/341  
D761,787 S \* 7/2016 Yamazaki ..... D14/341  
D761,788 S \* 7/2016 Yamazaki ..... D14/341  
D761,789 S \* 7/2016 Yamazaki ..... D14/341  
D761,790 S \* 7/2016 Yamazaki ..... D14/341  
D768,594 S \* 10/2016 Szeto ..... D14/138 G  
D777,698 S \* 1/2017 Kim ..... D14/138 G  
D780,179 S \* 2/2017 Bae ..... D14/374  
D784,322 S \* 4/2017 Kim ..... D14/341  
D784,323 S \* 4/2017 Kim ..... D14/341  
D784,945 S \* 4/2017 Choo ..... D14/138 AB  
D784,979 S \* 4/2017 Yamazaki ..... D14/341  
D789,922 S \* 6/2017 Yamazaki ..... D14/341  
D790,497 S \* 6/2017 Kim ..... D14/138 AA  
D795,825 S \* 8/2017 Kim ..... D14/138 R  
D805,069 S \* 12/2017 Won ..... D14/371  
D812,605 S \* 3/2018 Senda ..... D14/341  
D838,270 S \* 1/2019 Cho ..... D14/341  
D860,286 S \* 9/2019 Unwin ..... G06F 3/147  
D16/135  
D867,348 S \* 11/2019 Kim ..... D14/248  
10,553,135 B2 \* 2/2020 Lee ..... G06F 3/147  
D890,113 S \* 7/2020 Ma ..... D14/138 G  
D901,418 S \* 11/2020 Ma ..... D14/138 G  
10,880,417 B1 \* 12/2020 Song ..... H04M 1/0237

10,904,371 B1 \* 1/2021 Song ..... G06F 1/1652  
D912,045 S \* 3/2021 Han ..... D14/138 AD  
10,936,017 B1 \* 3/2021 Choi ..... G06F 1/1643  
10,938,970 B1 \* 3/2021 Lee ..... H04M 1/0237  
10,955,876 B1 \* 3/2021 Song ..... G06F 1/1656  
10,963,014 B1 \* 3/2021 Park ..... H04M 1/0268  
D915,336 S \* 4/2021 Lee ..... D14/138 AD  
D917,412 S \* 4/2021 Seo ..... D14/138 AB  
D923,598 S \* 6/2021 Lee ..... H04M 1/0268  
D14/138 AD  
11,043,191 B1 \* 6/2021 Kang ..... G06F 1/1652  
11,051,413 B2 \* 6/2021 Yang ..... G06F 1/1626  
D926,718 S \* 8/2021 Lee ..... G06F 1/1624  
D14/138 AD  
D936,625 S \* 11/2021 Lee ..... D14/138 AD  
D936,626 S \* 11/2021 Lee ..... D14/138 AD  
D936,627 S \* 11/2021 Lee ..... D14/138 AD  
2012/0019482 A1 \* 1/2012 Wang ..... G06F 1/1652  
345/175  
2017/0364119 A1 \* 12/2017 Lee ..... G06F 1/1624  
2020/0253063 A1 \* 8/2020 Jiang ..... G06F 1/1652  
2021/0092855 A1 \* 3/2021 Choi ..... H04M 1/0268  
2021/0099557 A1 \* 4/2021 Cha ..... H04M 1/0268  
2021/0120111 A1 \* 4/2021 Choi ..... G06F 1/1624  
2021/0157366 A1 \* 5/2021 Shim ..... G06F 3/0412  
2021/0181801 A1 \* 6/2021 Yin ..... G06F 1/1652  
2021/0185164 A1 \* 6/2021 Jung ..... H04M 1/72454  
2021/0185835 A1 \* 6/2021 Song ..... H04M 1/0237  
2021/0195009 A1 \* 6/2021 Choi ..... H04M 1/0268  
2021/0218835 A1 \* 7/2021 Song ..... H04M 1/0268  
2021/0278878 A1 \* 9/2021 Shim ..... H04M 1/0268  
2021/0326569 A1 \* 10/2021 Song ..... H04M 1/0268  
2021/0336356 A1 \* 10/2021 Choi ..... H04M 1/0268  
2021/0337049 A1 \* 10/2021 Noh ..... G06F 3/04883  
2021/0405696 A1 \* 12/2021 Ahn ..... G06F 1/1624

OTHER PUBLICATIONS

Samsung Device Patents, www.patentlymobile.com, Jan. 12, 2018.  
<https://www.patentlymobile.com/2018/01/samsung-device-patents-published-this-week-cover-display-devices-that-are-rollable-foldable-and-stretchable.html> (Year: 2018).\*  
Huawei Mate X 2030, www.concept-phones.com, Feb. 14, 2020.  
<https://www.concept-phones.com/huawei/huawei-mate-x-2030-is-the-flexible-phone-of-the-future/> (Year: 2020).\*

\* cited by examiner

FIG. 1

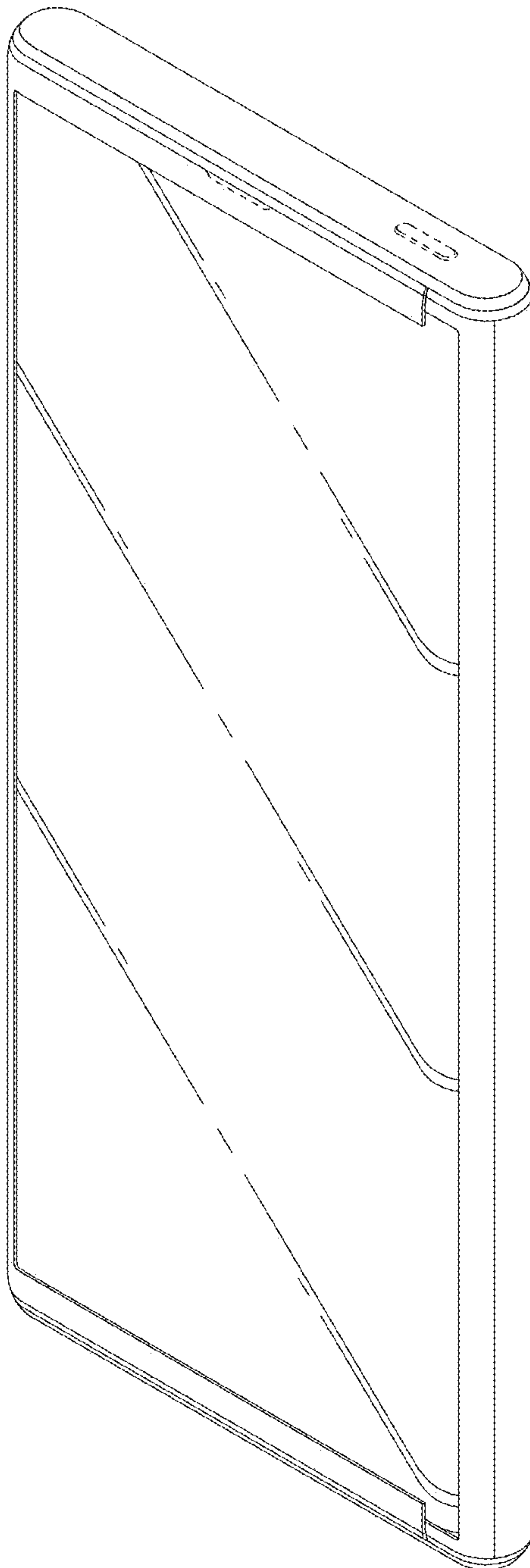




FIG. 2

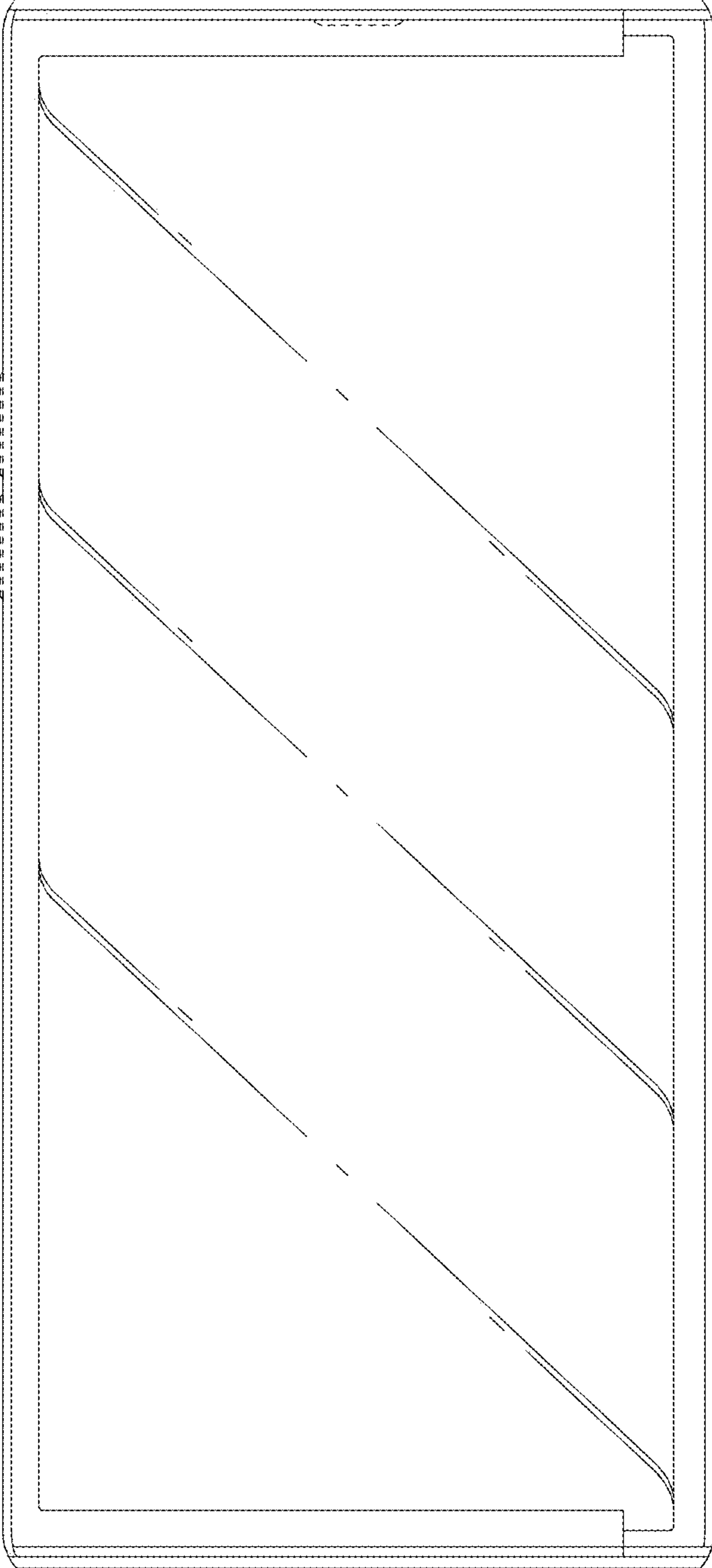


FIG. 3

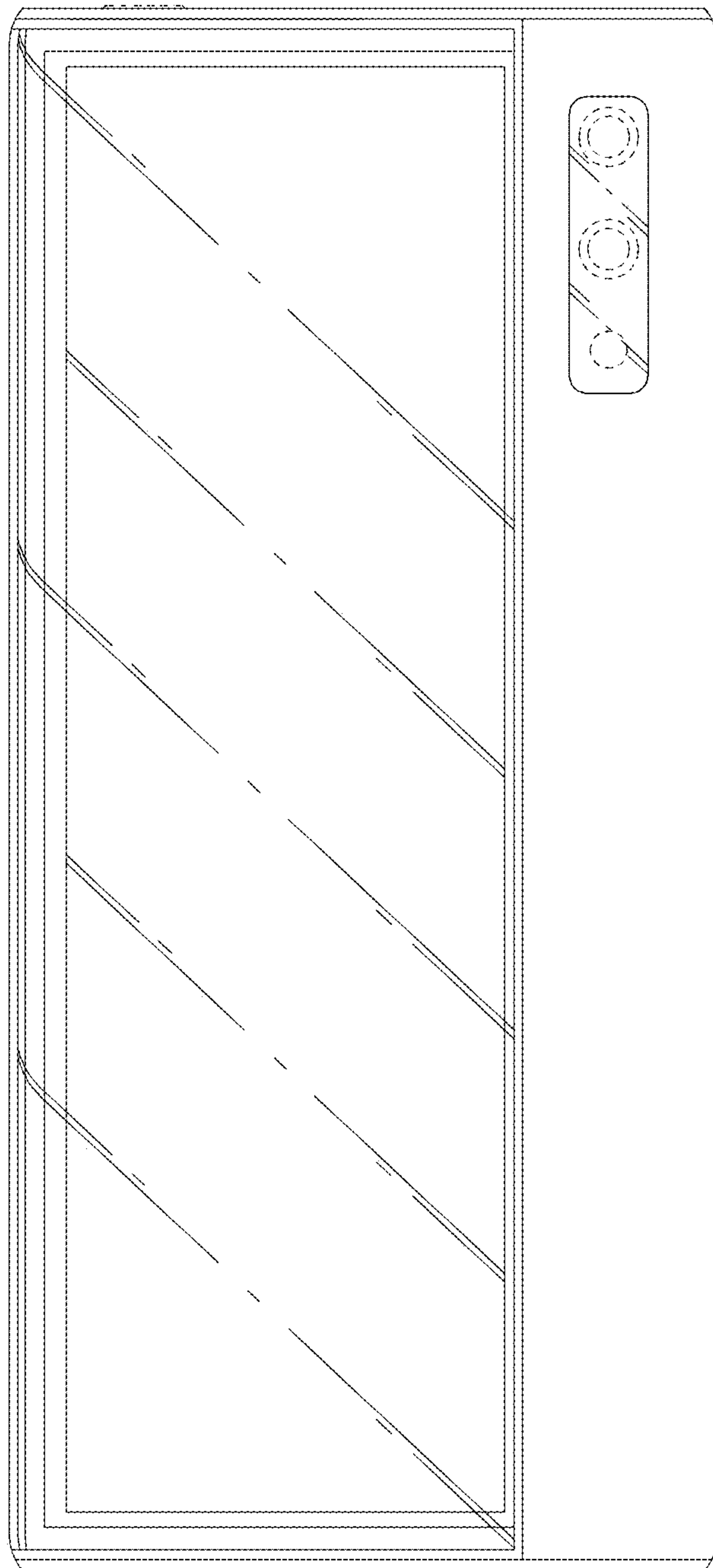


FIG. 4



FIG. 5

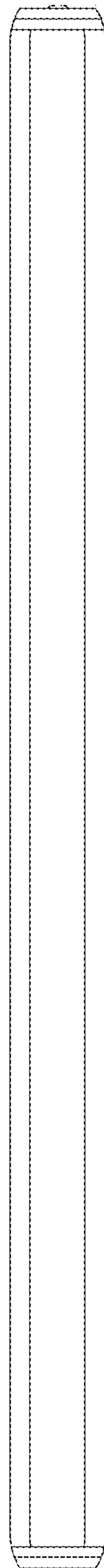


FIG. 6

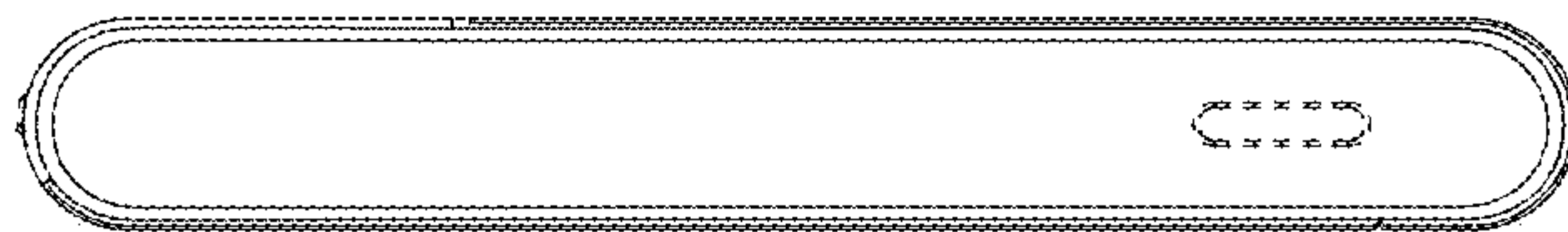




FIG. 7

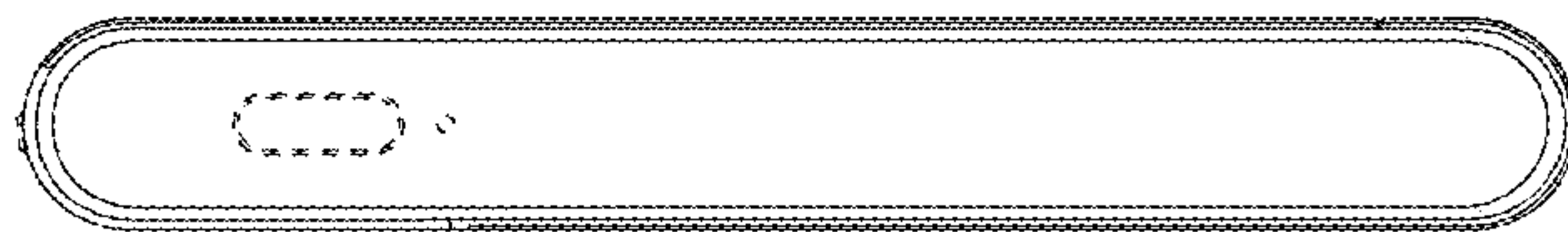


FIG. 8

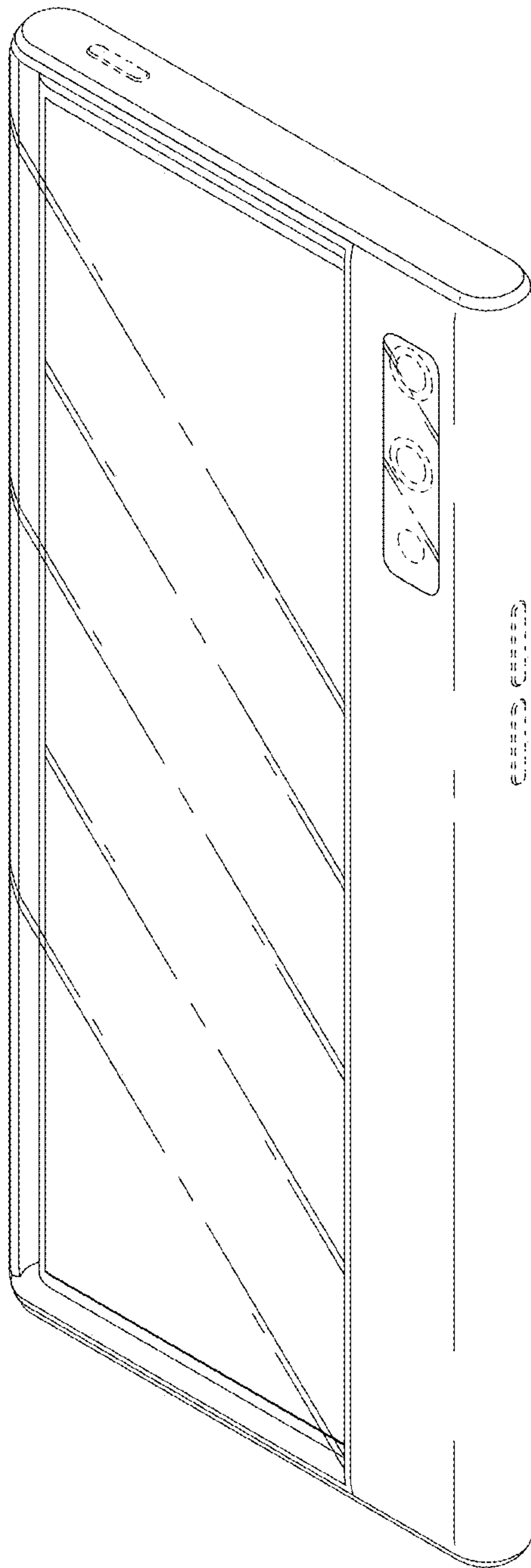


FIG. 9

