



US00D956734S

(12) **United States Design Patent**  
**Tamayama et al.**

(10) **Patent No.:** **US D956,734 S**  
(45) **Date of Patent:** **\*\* Jul. 5, 2022**

(54) **MAGNETIC DISC STORAGE UNIT FOR ELECTRONIC COMPUTER**

(71) Applicant: **Hitachi, Ltd.**, Tokyo (JP)  
(72) Inventors: **Shotaro Tamayama**, Tokyo (JP);  
**Kenichi Miyamoto**, Tokyo (JP); **Shinji Shibuya**, Tokyo (JP); **Yoshikatsu Kasahara**, Kanagawa (JP)  
(73) Assignee: **Hitachi, Ltd.**, Tokyo (JP)  
(\*\*) Term: **15 Years**

(21) Appl. No.: **29/730,544**

(22) Filed: **Apr. 6, 2020**

(30) **Foreign Application Priority Data**

Oct. 7, 2019 (JP) ..... 2019-022473

(51) **LOC (13) Cl.** ..... **14-02**

(52) **U.S. Cl.**  
USPC ..... **D14/308; D14/310**

(58) **Field of Classification Search**  
USPC ..... D14/300, 301, 308, 310, 311, 312, 313,  
D14/314, 348, 353, 354, 355, 356, 357,  
(Continued)

(56) **References Cited**

**U.S. PATENT DOCUMENTS**

D196,115 S \* 8/1963 Berry, Jr. .... D13/184  
D197,428 S \* 2/1964 Massarella ..... D14/311  
(Continued)

**FOREIGN PATENT DOCUMENTS**

JP D 1634087 S 6/2019

**OTHER PUBLICATIONS**

Yuan Liu Peng, CN Design No. 304386732, published at Orbit, publication date Dec. 5, 2017. Site visited Nov. 18, 2021. Available from internet. (Year: 2017).\*

(Continued)

*Primary Examiner* — Kathleen L Jones  
*Assistant Examiner* — Cole Sanders Holman  
(74) *Attorney, Agent, or Firm* — Crowell & Moring LLP

(57) **CLAIM**

The ornamental design for a magnetic disc storage unit for electronic computer, as shown and described.

**DESCRIPTION**

FIG. 1 is a front, top and right side perspective view of a magnetic disc storage unit for electronic computer according to the design;

FIG. 2 is a front elevational view thereof;

FIG. 3 is a top plan view thereof;

FIG. 4 is a right side elevational view thereof;

FIG. 5 is a left side elevational view thereof;

FIG. 6 is a rear elevational view thereof;

FIG. 7 is a bottom plan view thereof;

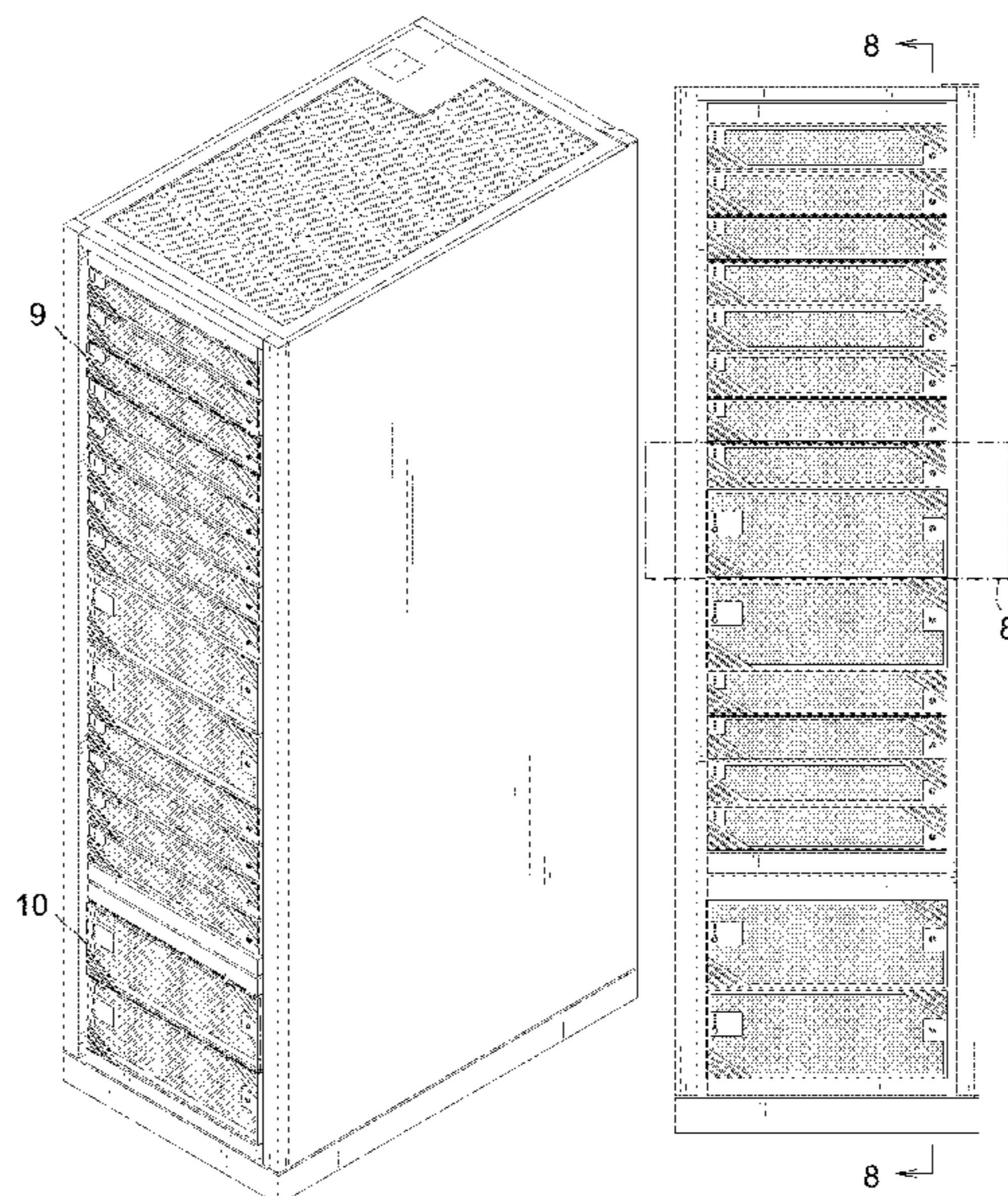
FIG. 8 is a partially enlarged cross-sectional view of the portion shown in Box 8 of FIG. 2 taken along line 8-8 of FIG. 2;

FIG. 9 is an enlarged front, top and right side perspective view of the portion shown in Box 9 of FIG. 1, provided for clarity of illustration; and,

FIG. 10 is an enlarged front, top and right side perspective view of the portion shown in Box 10 of FIG. 1, provided for clarity of illustration.

The broken lines in the drawings show portions of the magnetic disc storage unit for electronic computer that form no part of the claimed design. The bottom surface adjacent broken line features form no part of the claimed design. The long and short dash broken lines in FIG. 1, FIG. 2, FIG. 8, FIG. 9, and FIG. 10 are used for defining areas in FIG. 1 and FIG. 2 that are enlarged in FIG. 8, FIG. 9, and FIG. 10.

**1 Claim, 7 Drawing Sheets**



(58) **Field of Classification Search**

USPC ..... D14/358, 388, 389, 432, 434, 439, 441,  
D14/443, 444, 445, 446, 257, 258, 188,  
D14/240, 349, 350, 351, 352; D13/184  
CPC ..... G11B 15/6815; G11B 15/682; H05K  
7/1422; H05K 7/1465; H05K 7/1424;  
H05K 7/1481; H05K 5/003; H05K 5/004;  
H05K 5/006; H05K 5/0017; H05K  
5/0021; H05K 5/0052; G06F 1/187; G06F  
3/147; G01R 31/2801; G05B 23/0213  
See application file for complete search history.

(56) **References Cited**

U.S. PATENT DOCUMENTS

D203,542 S \* 1/1966 Dalton et al. .... D13/184  
D205,067 S \* 6/1966 Cottier et al. .... D13/184  
D211,948 S \* 8/1968 Worrall  
D252,025 S \* 6/1979 Welch ..... 188/199  
4,679,867 A \* 7/1987 Heldenbrand ..... H05K 9/0062  
174/384  
D305,227 S 12/1989 Esslinger  
D312,620 S 12/1990 Koepke et al.  
D314,953 S 2/1991 Welch  
D315,146 S \* 3/1991 Horie ..... D14/350  
D320,006 S 9/1991 Ivester  
D324,050 S 2/1992 Ando  
D324,376 S \* 3/1992 Leitermann ..... D14/311  
D335,285 S \* 5/1993 Utsuki ..... D14/364  
D350,339 S \* 9/1994 Carroll ..... D14/311  
D357,004 S \* 4/1995 Ando ..... D14/312  
D357,233 S 4/1995 Merino  
D360,623 S \* 7/1995 Ando ..... D14/312  
D361,061 S \* 8/1995 Moodie ..... D14/311  
D371,347 S \* 7/1996 Utsuki ..... D14/310  
D372,464 S \* 8/1996 Wetzell ..... D14/364  
D379,974 S \* 6/1997 Richardson ..... D14/350  
D380,743 S \* 7/1997 Avalos ..... D14/350  
D382,877 S \* 8/1997 Cheng ..... D14/214  
D384,042 S 9/1997 Antonczak et al.  
D396,234 S \* 7/1998 Yamaguchi ..... D13/184  
D411,184 S \* 6/1999 Izawa ..... D14/364  
D417,202 S \* 11/1999 Izawa ..... D14/364  
D418,136 S 12/1999 Kizawa  
D419,148 S 1/2000 Foslien et al.  
D423,465 S \* 4/2000 Runnalls ..... D14/140.2  
D427,191 S \* 6/2000 Hashizume ..... D14/308  
D439,577 S \* 3/2001 Smith ..... D14/140.2  
D440,564 S \* 4/2001 Ohwada ..... D14/363  
D444,148 S \* 6/2001 Hashizume ..... D14/308  
D447,134 S 8/2001 Kiai  
D455,153 S 4/2002 Gant et al.  
D456,402 S \* 4/2002 Sue ..... D14/350  
D458,609 S 6/2002 Searby  
D469,099 S 1/2003 Yuhan  
D475,041 S \* 5/2003 Somoza ..... D14/140.2  
D477,307 S 7/2003 Tierney  
D503,718 S 4/2005 Heinz et al.  
D508,053 S 8/2005 Cox et al.  
D517,547 S \* 3/2006 Kubota ..... D14/349  
D524,818 S 7/2006 Kerrigan et al.  
D527,002 S \* 8/2006 Frank ..... D14/349  
D535,298 S 1/2007 Cochrane  
D547,748 S 7/2007 Tsuge  
D566,119 S 4/2008 Dearborn et al.  
D571,355 S 6/2008 Koizumi  
D578,509 S 10/2008 Thomas  
D579,921 S 11/2008 Lazzeroni et al.  
D585,447 S \* 1/2009 Chen ..... D14/349  
D588,601 S 3/2009 Wang et al.  
D596,594 S 7/2009 Kressy  
D598,456 S 8/2009 Vaughan et al.  
D611,398 S \* 3/2010 Tsuboi ..... D12/319  
D612,330 S 3/2010 Du et al.  
D629,807 S 12/2010 Vaughan  
D631,480 S 1/2011 Vaughan

D635,563 S \* 4/2011 Brusca ..... D14/301  
D641,879 S \* 7/2011 Ishihara ..... D24/158  
D650,383 S \* 12/2011 Utsuki ..... D14/364  
D690,694 S \* 10/2013 Utsuki ..... D14/364  
D692,865 S 11/2013 Givre et al.  
D717,284 S 11/2014 Kurosawa et al.  
D718,276 S 11/2014 Yamamoto  
D721,706 S 1/2015 Rooyakkers et al.  
D721,707 S 1/2015 Rooyakkers et al.  
D722,587 S 2/2015 Green et al.  
D727,292 S 4/2015 Anthony et al.  
D730,894 S \* 6/2015 Hokari ..... D14/364  
D732,039 S 6/2015 Ashcraft et al.  
D733,134 S \* 6/2015 Utsuki ..... D14/364  
D733,135 S \* 6/2015 Utsuki ..... D14/364  
D734,754 S 7/2015 Ficacci  
D753,120 S 4/2016 Tyssø  
D783,595 S \* 4/2017 Lin ..... D14/301  
9,622,394 B1 4/2017 Frank et al.  
D789,908 S 6/2017 Givre  
D808,381 S 1/2018 Van Dijke et al.  
D815,642 S 4/2018 Wilcox et al.  
D817,963 S 5/2018 Ravat et al.  
D821,357 S 6/2018 Tragatschnig  
D824,900 S 8/2018 Wu  
D837,207 S \* 1/2019 Widiaman ..... D14/349  
D869,438 S 12/2019 Valeur  
D870,074 S 12/2019 Valeur  
D881,845 S 4/2020 Warnhammar et al.  
D888,059 S 6/2020 Ranade  
D890,169 S \* 7/2020 Liu ..... D14/349  
D897,310 S 9/2020 Wu  
D906,283 S 12/2020 Schoolmeester et al.  
D906,286 S 12/2020 Hung  
D906,305 S \* 12/2020 Gutman ..... D14/242  
D919,596 S 5/2021 Chan  
2015/0181748 A1 6/2015 Bailey et al.  
2016/0316585 A1 10/2016 Lu et al.  
2017/0071071 A1 3/2017 Tseng et al.  
2017/0367211 A1 12/2017 Easton et al.

OTHER PUBLICATIONS

Guo Hui, CN Design No. 304514335, published at Orbit, publication date Feb. 23, 2018. Site visited Nov. 18, 2021. Available from internet. (Year: 2018).\*

Yao Meng, CN Design No. 305661501, published at Orbit, publication date Mar. 27, 2020. Site visited Nov. 18, 2021. Available from internet. (Year: 2020).\*

Utsuki Toshiyuki, Design U.S. Pat. No. D. 733,134, published at Orbit, publication date Jun. 30, 2015. Site visited Nov. 18, 2021. Available from internet. (Year: 2015).\*

Beijing Sugon Information Industry Co LTD, CN Design No. 302231801, published at Orbit, publication date Dec. 12, 2012. Site visited Nov. 18, 2021. Available from internet. (Year: 2012).\*

Kang Sheng, CN Design No. 302476318, published at Orbit, publication date Jun. 19, 2013. Site visited Nov. 18, 2021. Available from internet. (Year: 2013).\*

Wu Zhiquan, CN Design No. 302578458, published at Orbit, publication date Sep. 18, 2013. Site visited Nov. 18, 2021. Available from internet. (Year: 2013).\*

Xie Hongtao, CN Design No. 304386232, published at Orbit, publication date Dec. 5, 2017. Site visited Nov. 18, 2021. Available from internet. (Year: 2017).\*

Kim Bum Jun, KR Design No. 301130348, published at Orbit, publication date Oct. 6, 2021. Site visited Nov. 18, 2021. Available from internet. (Year: 2021).\*

Wang Chao, CN Design No. 306839897, published at Orbit, publication date Sep. 21, 2021. Site visited Nov. 18, 2021. Available from internet. (Year: 2021).\*

Ju Jing, CN Design No. 305965262, published at Orbit, publication date Aug. 4, 2020. Site visited Nov. 18, 2021. Available from internet. (Year: 2020).\*

(56)

**References Cited**

OTHER PUBLICATIONS

Xiao Yiliang, CN Design No. 301823815, published at Orbit, publication date Feb. 1, 2012. Site Visited Nov. 18, 2021. Available from internet. (Year: 2012).\*

Ustuki Toshiyuki, Design U.S. Pat. No. D. 733,135, published at Orbit, publication date Jun. 30, 2015. Site visited Nov. 18, 2021. Available from internet. (Year: 2015).\*

Franz John, Design U.S. Pat. No. D. 751,562, published at Orbit, publication date Mar. 15, 2016. Site visited Nov. 18, 2021. Available from internet. (Year: 2016).\*

U.S. Appl. No. 29/730,530, filed Apr. 6, 2020.

U.S. Appl. No. 29/730,531, filed Apr. 6, 2020.

United States Notice of Allowance issued in U.S. Appl. No. 29/730,530 dated Dec. 22, 2021 (13 pages).

United States Notice of Allowance issued in U.S. Appl. No. 29/730,531 dated Dec. 22, 2021 (13 pages).

Barron David, U.S. Design Pat. No. D. 795,877, published at Orbit, publication date Aug. 29, 2017. Site visited Nov. 23, 2021. Available from the internet. (Year: 2017) (four (4) pages).

Yuichi Sugihara, U.S. Design Pat. No. D. 525,969, published at Orbit, publication date Aug. 1, 2006. Site visited Nov. 23, 2021. Available from the internet. (Year: 2006) (three (3) pages).

Zhao Xunwei, CN Design No. 306881288, published at Orbit, publication date Oct. 15, 2021. Site visited Nov. 23, 2021. Available from the internet. (Year: 2021) (three (3) pages).

Tu Qingnian, CN Design No. 305523562, published at Orbit, publication date Dec. 31, 2019. Site visited Nov. 23, 2021. Available from the internet. (Year: 2019) (four (4) pages).

Bird Grayson, KR Design No. 300957923, published at Orbit, publication date Feb. 25, 2018. Site visited Nov. 23, 2021. Available from the internet. (Year: 2018) (four (4) pages).

Byrd Greyson, RU Design No. 00109321, published at Orbit, publication date Jun. 29, 2016. Site visited Nov. 23, 2021. Available from the internet. (Year: 2016) (four (4) pages).

\* cited by examiner

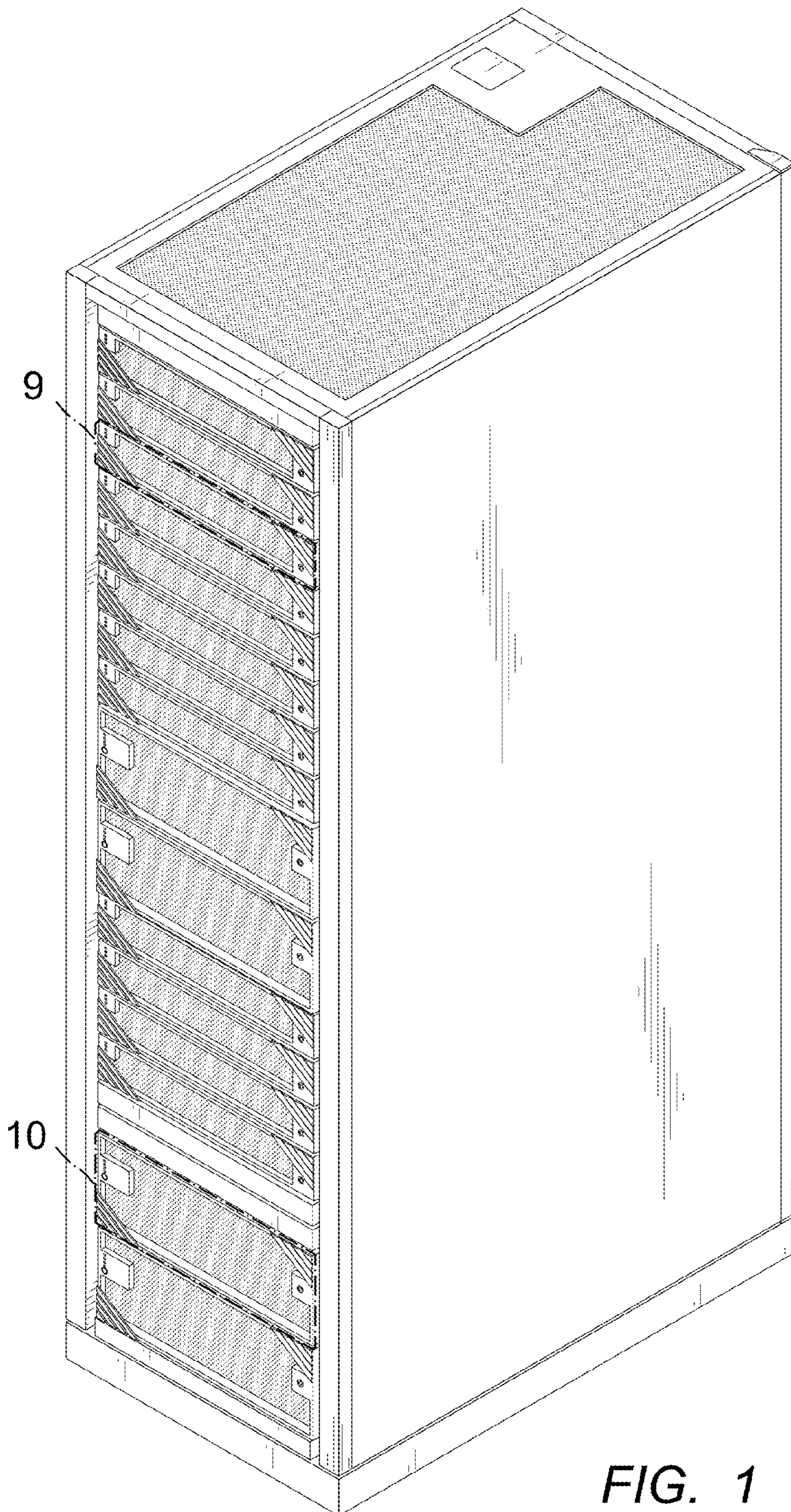


FIG. 1

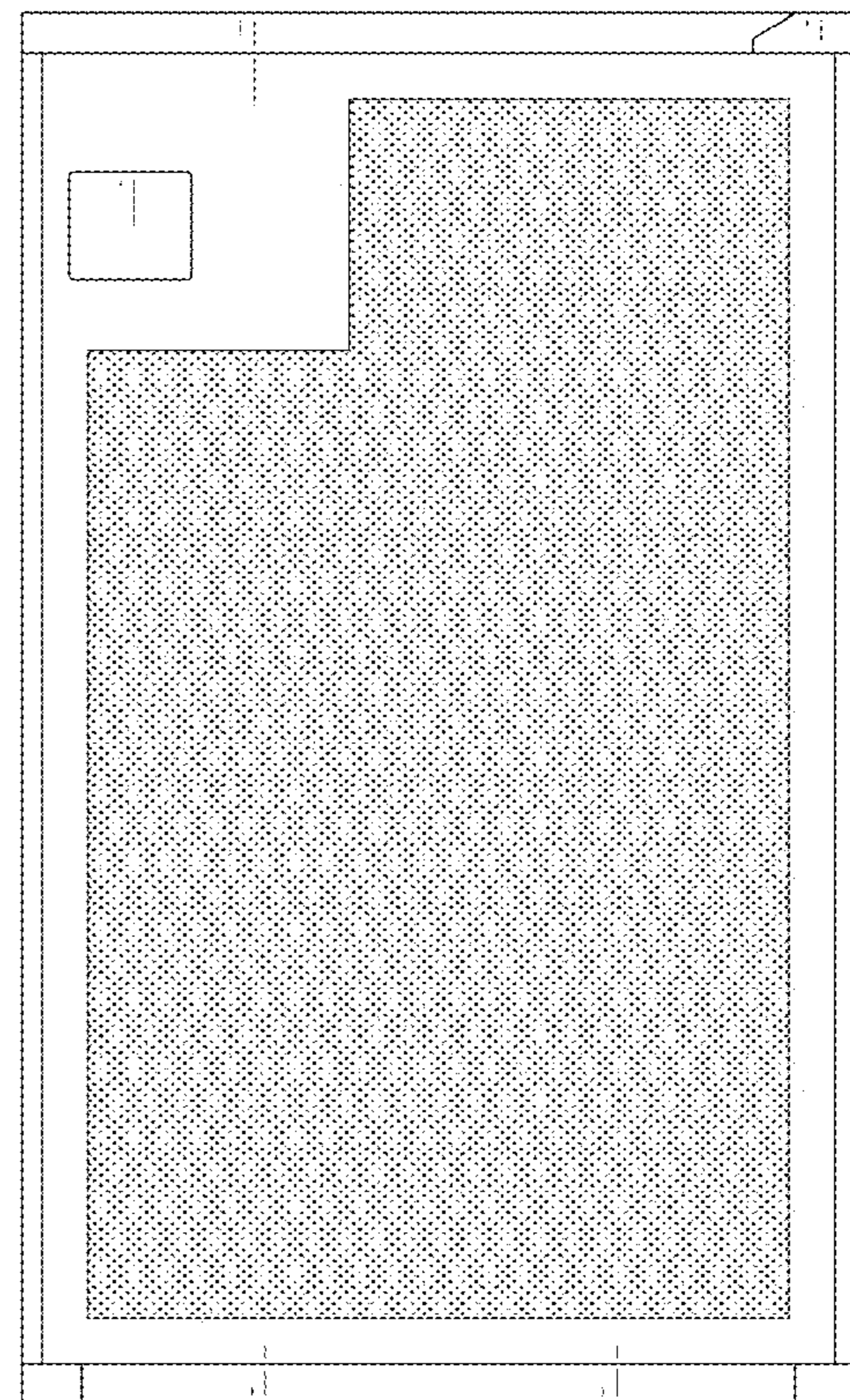
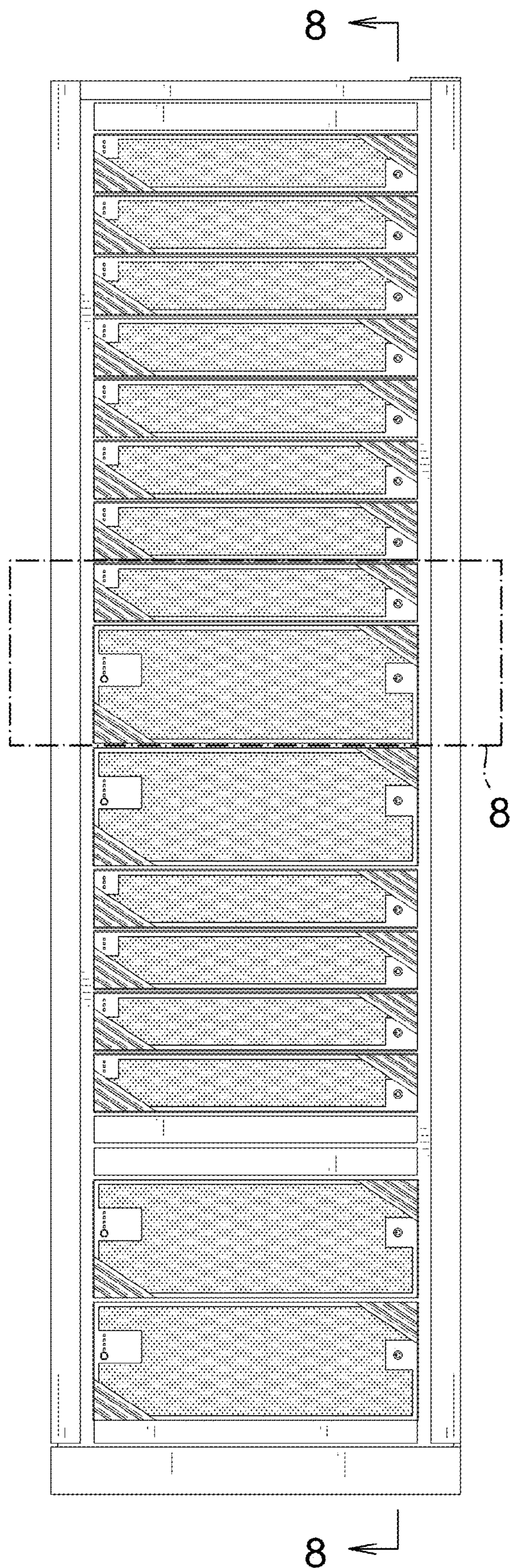
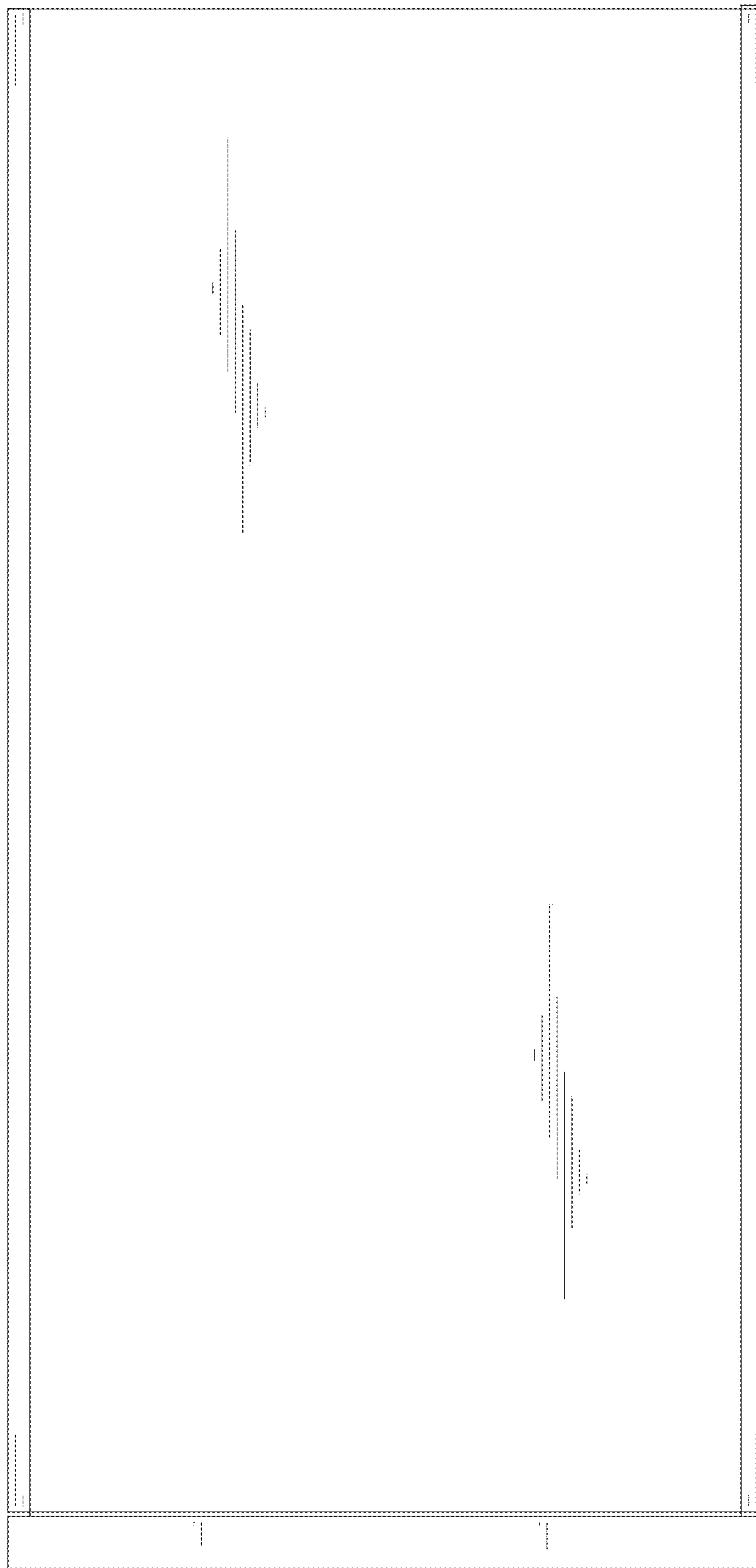
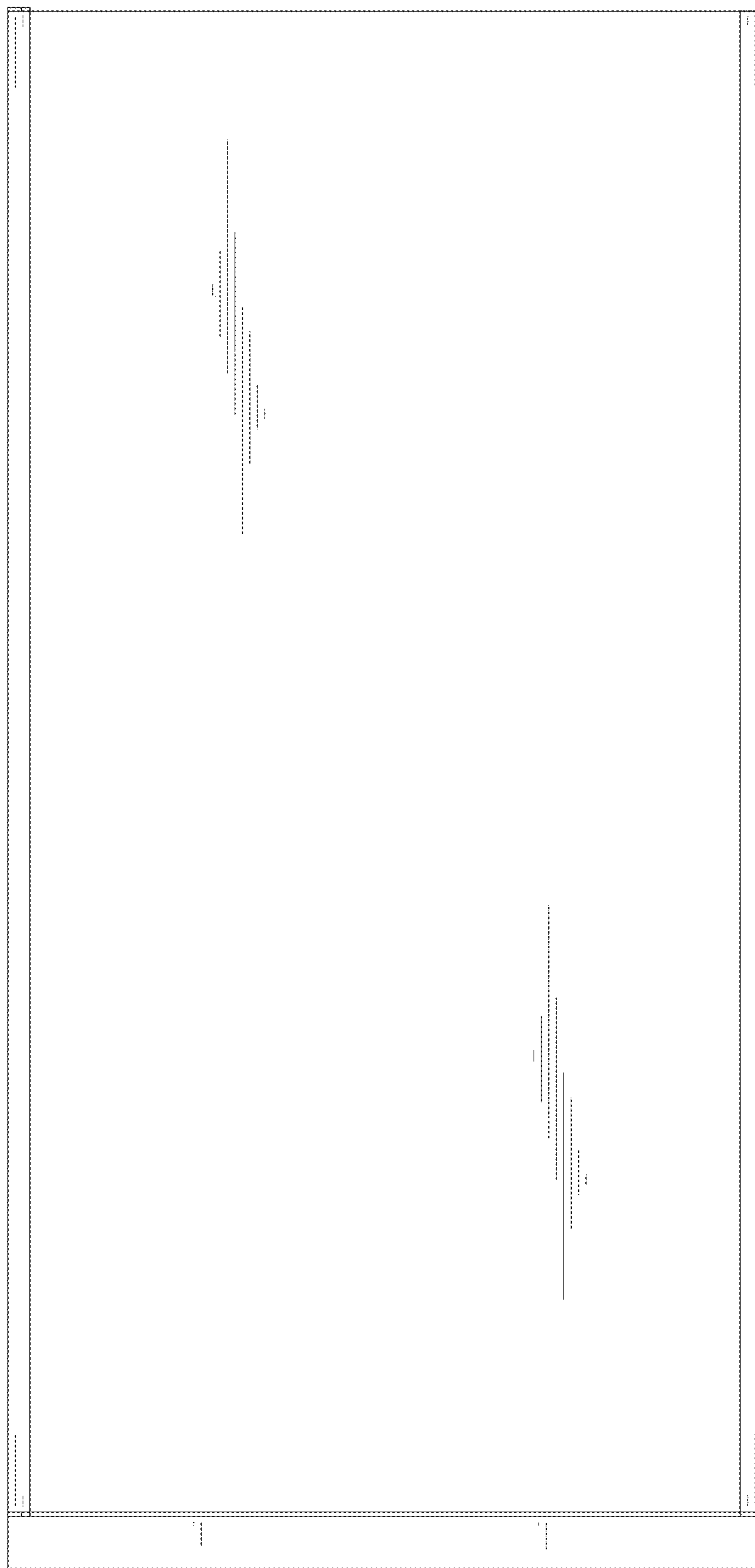


FIG. 3

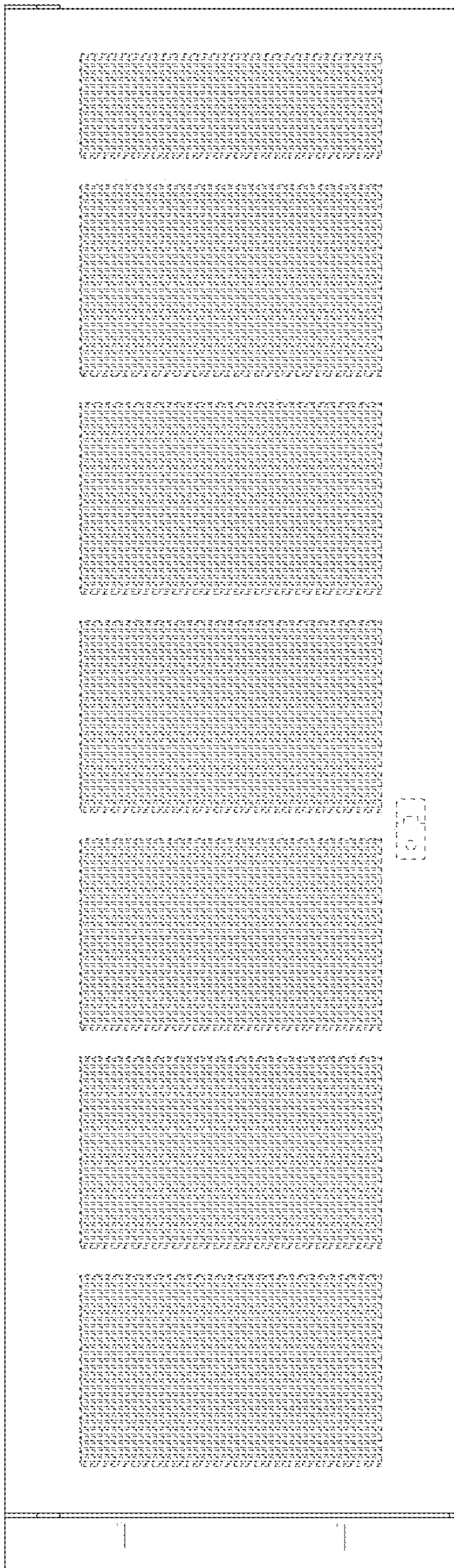
FIG. 2



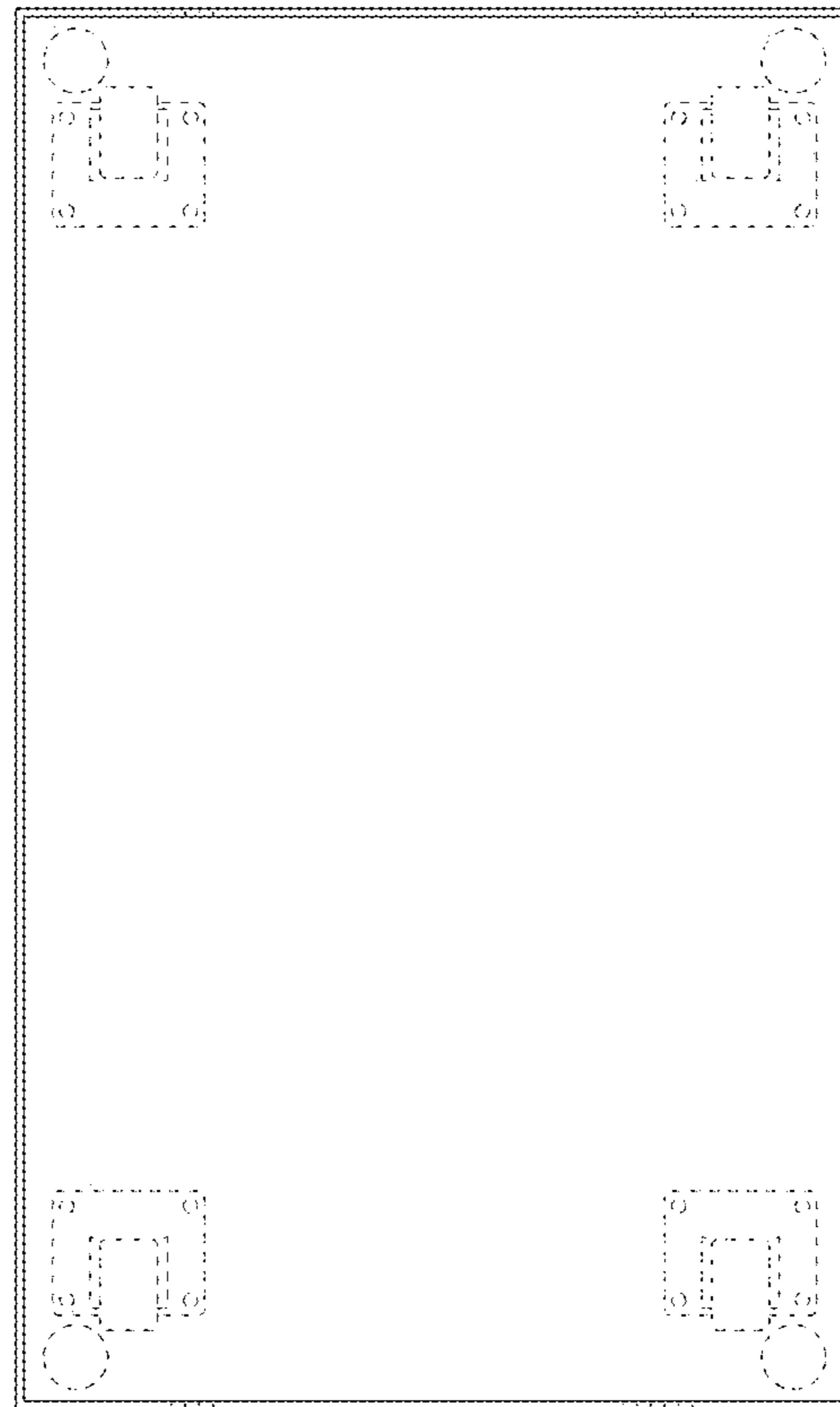
**FIG. 4**



**FIG. 5**



*FIG. 6*



*FIG. 7*



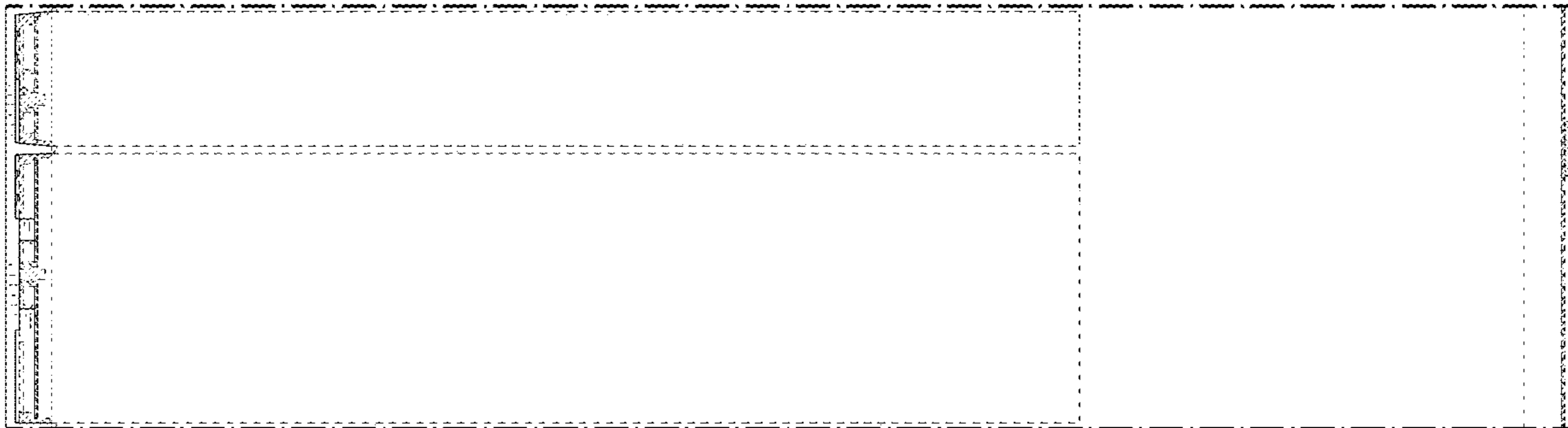


FIG. 8

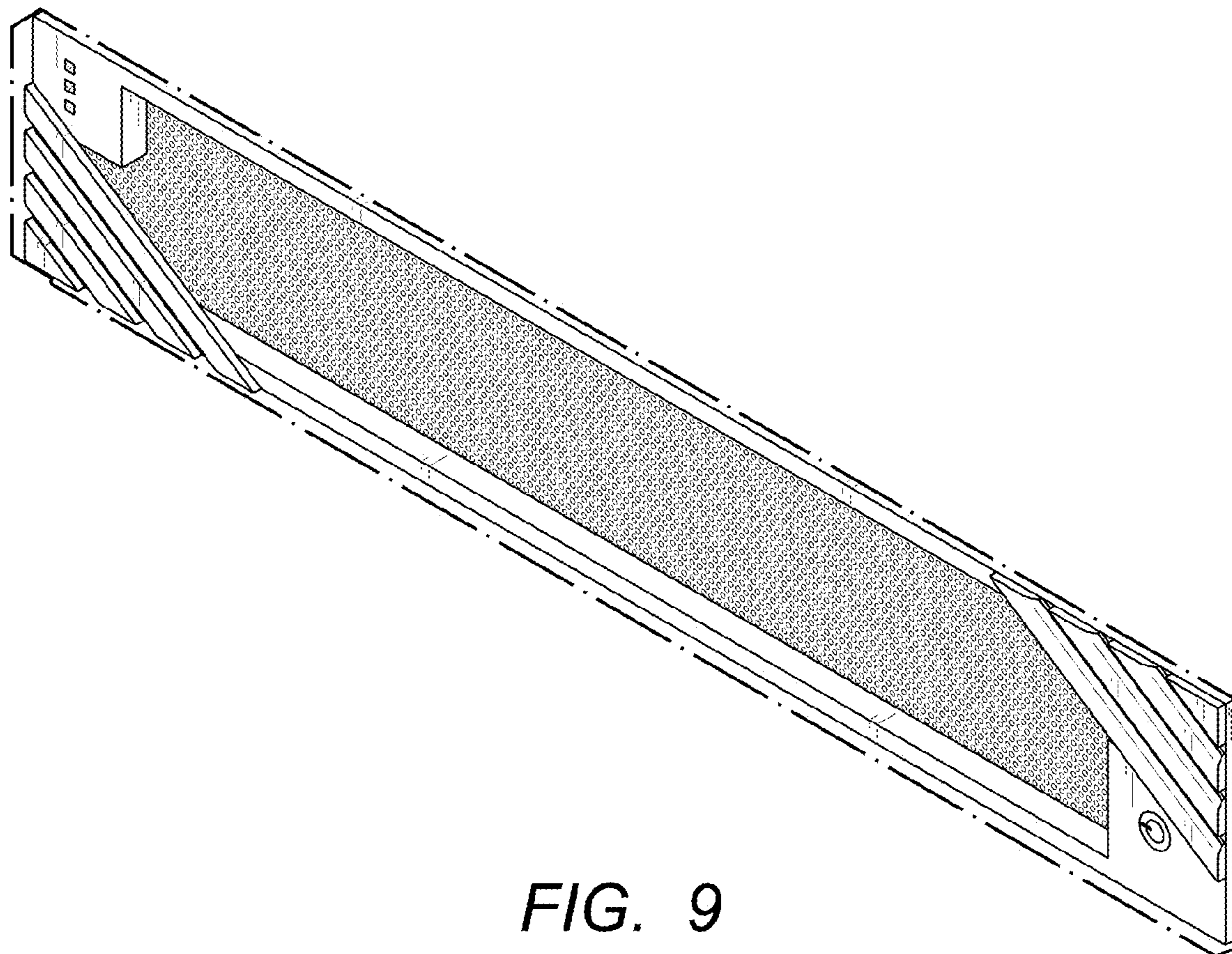


FIG. 9

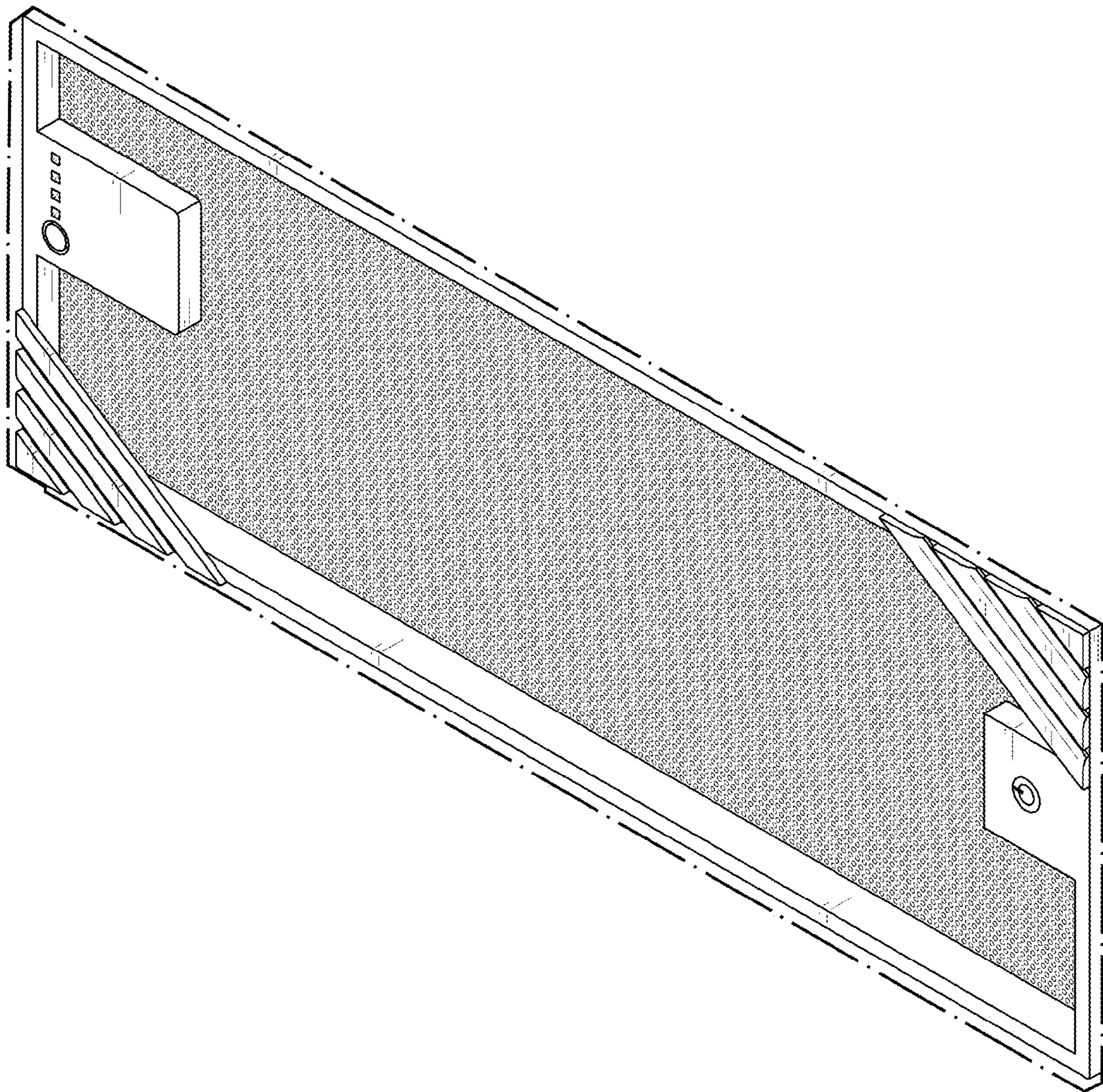


FIG. 10