



US00D956733S

(12) **United States Design Patent**
Mortier Bjornlund

(10) **Patent No.:** **US D956,733 S**

(45) **Date of Patent:** **** Jul. 5, 2022**

(54) **PHONE CASE**

(71) Applicant: **LOUIS VUITTON MALLETIER**,
Paris (FR)

(72) Inventor: **Céline Mortier Bjornlund**, Paris (FR)

(73) Assignee: **Louis Vuitton Malletier**, Paris (FR)

(**) Term: **15 Years**

(21) Appl. No.: **29/748,872**

(22) Filed: **Sep. 1, 2020**

(30) **Foreign Application Priority Data**

Mar. 4, 2020 (FR) 2020-1089

(51) **LOC (13) Cl.** **14-03**

(52) **U.S. Cl.**
USPC **D14/250**

(58) **Field of Classification Search**

USPC D14/203.3–203.7, 439, 251–253, 447,
D14/217, 240, 238.1, 440, 248, 250;
D13/103, 107–108, 119; D3/201, 218,
D3/247, 249, 269, 273, 301, 303
CPC H04B 1/3888; A45C 11/00; A45C 13/02;
A45C 2011/002; A45C 1/06; H04M
1/0283; H04M 1/0202; A45F 2200/0525;
A45F 2005/026; A45F 2200/0516

See application file for complete search history.

(56) **References Cited**

U.S. PATENT DOCUMENTS

D673,162 S * 12/2012 Young D14/447
D675,197 S * 1/2013 Losiewicz D14/250
D679,685 S * 4/2013 Cox D14/250
8,428,664 B1 * 4/2013 Wyers F16M 13/04
455/575.1
D686,628 S * 7/2013 Hall D14/440

D703,647 S * 4/2014 Kim D14/250
D705,767 S * 5/2014 Yoon D14/250
D715,537 S * 10/2014 Soriano D3/218
D717,780 S * 11/2014 Tussy D14/250
D719,949 S * 12/2014 Tussy D14/250
D721,376 S * 1/2015 Lee D14/440
D723,569 S * 3/2015 Peng D14/440
D725,659 S * 3/2015 Tussy D14/440
D733,696 S * 7/2015 Burgett D14/250
D738,872 S * 9/2015 Erickson-Davis D14/250
D749,592 S * 2/2016 Huang D14/440
D756,339 S * 5/2016 Tussy D14/250
D769,854 S * 10/2016 Duval D14/250
D771,030 S * 11/2016 Tussy D14/250
D794,007 S * 8/2017 Zhang D14/250
D806,083 S * 12/2017 Armstrong D14/440
D817,316 S * 5/2018 Srour D14/251
D826,917 S * 8/2018 Zhong D14/253
D830,367 S * 10/2018 Chang D14/440
D831,635 S * 10/2018 Gibson D14/250
D883,987 S * 5/2020 Cheng D14/440

(Continued)

Primary Examiner — Carla J Wright

(74) *Attorney, Agent, or Firm* — Fross Zelnick Lehrman
& Zissu, P.C.; Charles T. J. Weigell, Esq.

(57) **CLAIM**

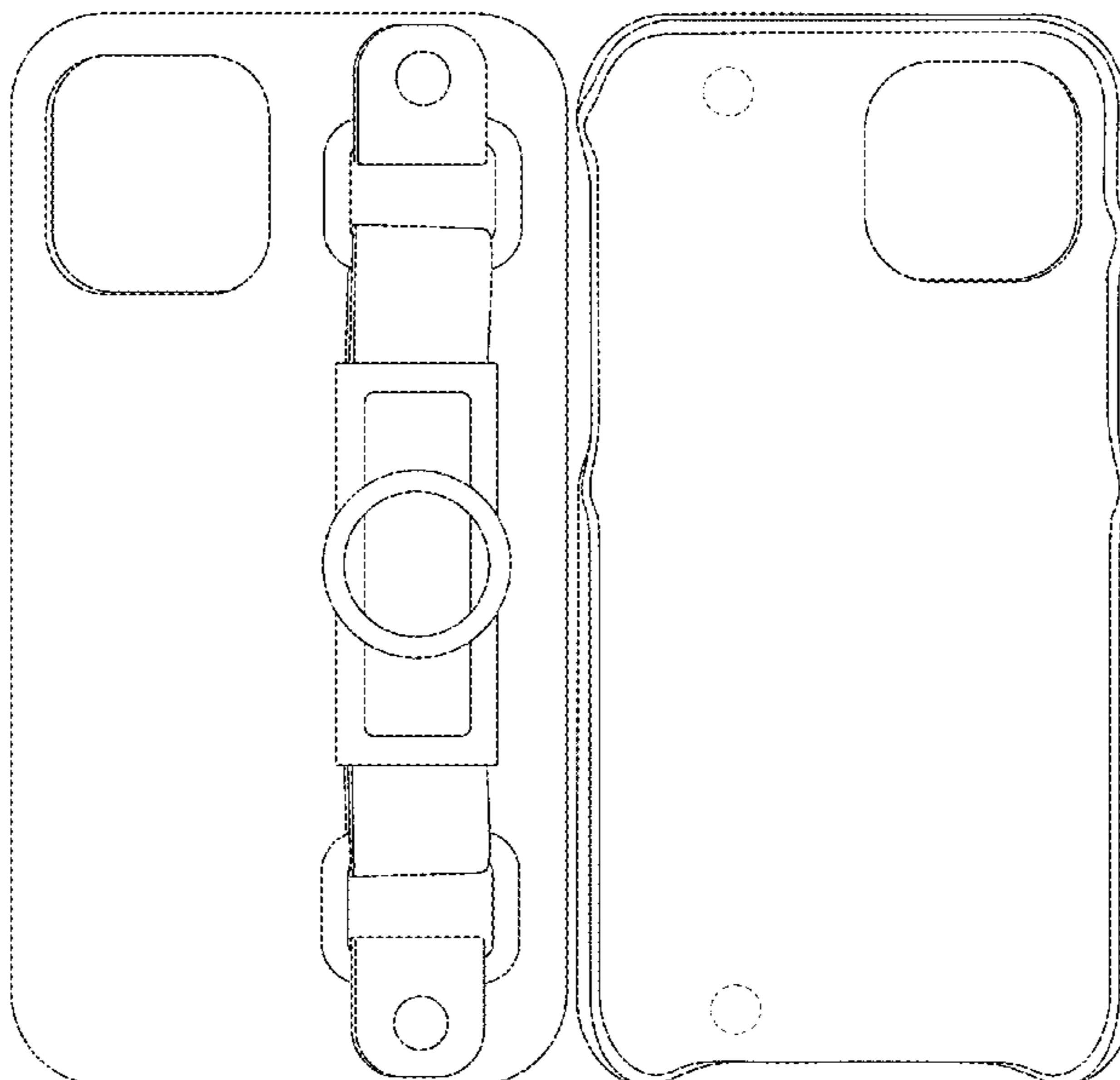
The ornamental design for a phone case, as shown and described.

DESCRIPTION

FIG. 1 is a front and left-side perspective view of a phone case showing my new design;
FIG. 2 is a front view thereof;
FIG. 3 is a back view thereof;
FIG. 4 is a right side view thereof;
FIG. 5 is a left side view thereof;
FIG. 6 is a top view thereof; and,
FIG. 7 is a bottom view thereof.

The broken lines in FIG. 3 depict portions of the phone case that form no part of the claimed design.

1 Claim, 5 Drawing Sheets



(56)

References Cited

U.S. PATENT DOCUMENTS

D884,691	S	*	5/2020	Wilder	D14/250
D894,167	S	*	8/2020	Feller	D14/251
D920,336	S	*	5/2021	Cheng	D14/440
D929,382	S	*	8/2021	Gwyn	D14/250
D930,640	S	*	9/2021	Yeo	D14/250
D933,645	S	*	10/2021	Tsang	D14/250
2014/0152034	A1	*	6/2014	Tussy	F16M 11/10 294/142
2015/0009610	A1	*	1/2015	London	G06F 1/163 361/679.03
2015/0201743	A1	*	7/2015	Erickson-Davis	H04B 1/385 224/218

* cited by examiner

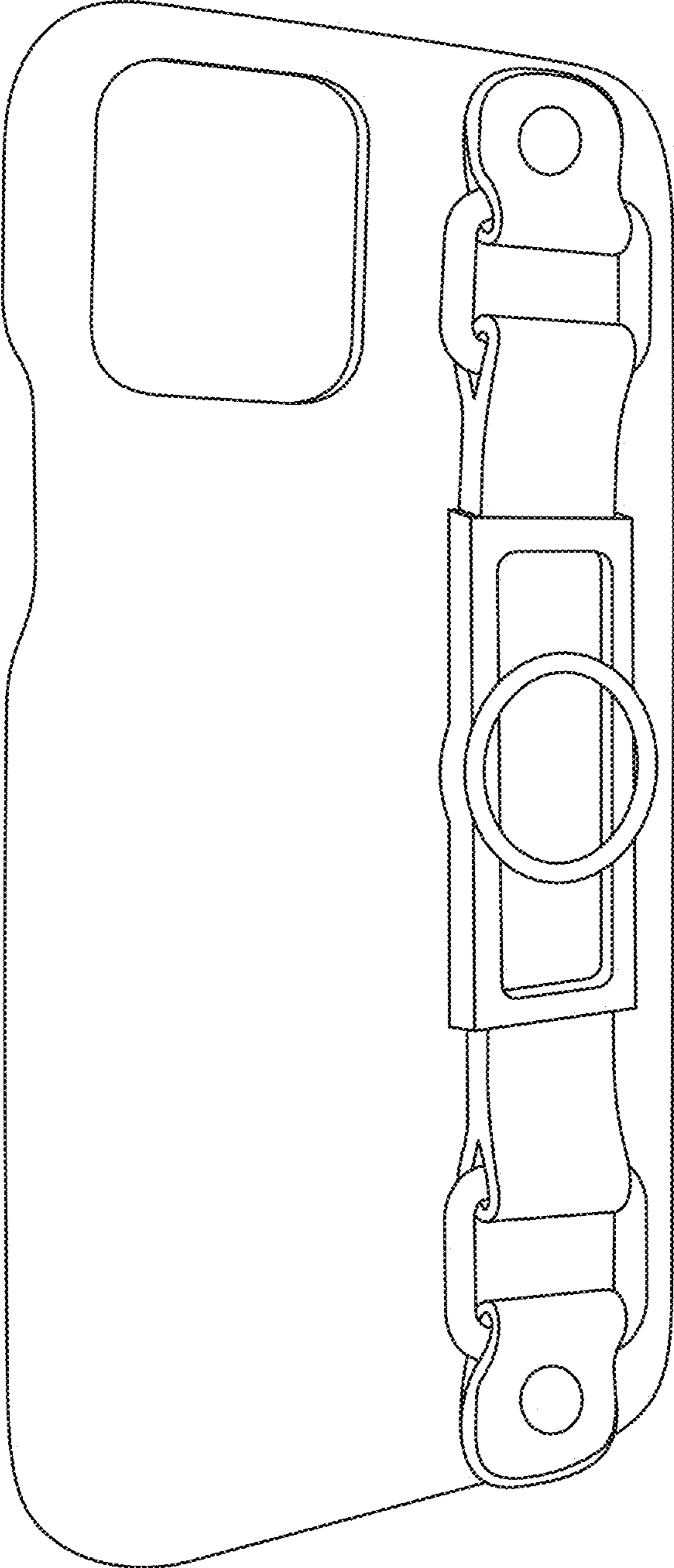


FIG. 1

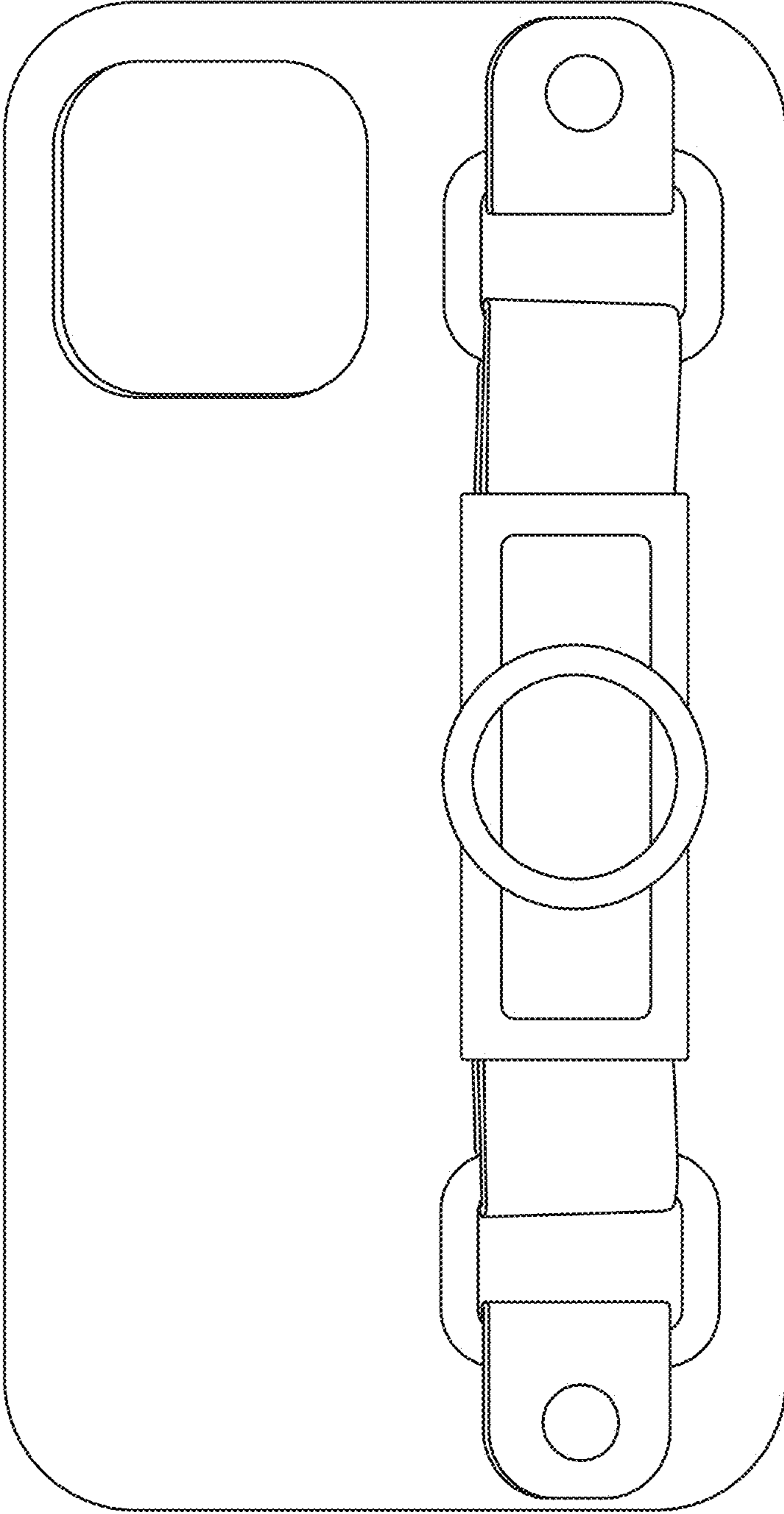


FIG. 2

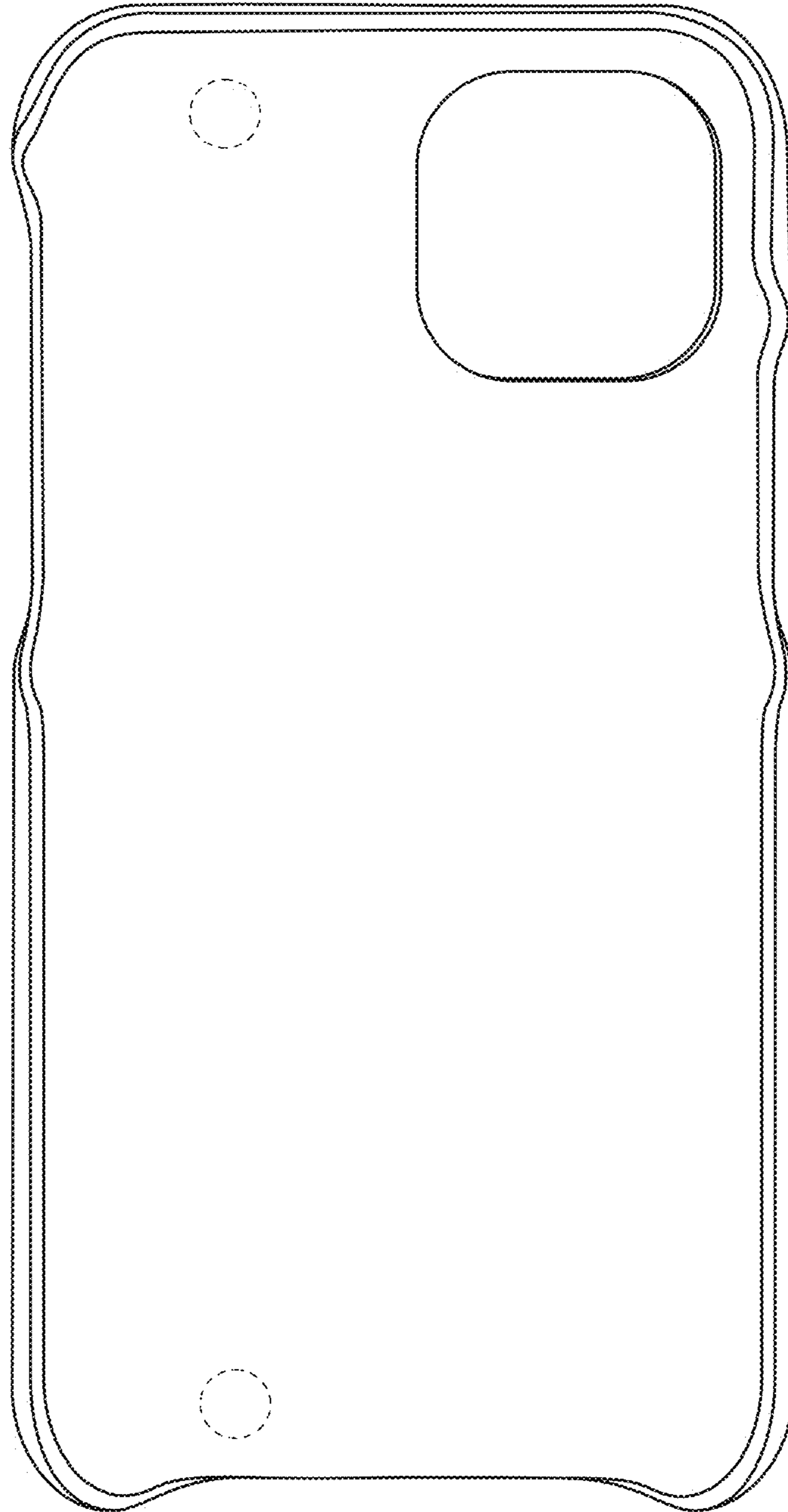


FIG. 3

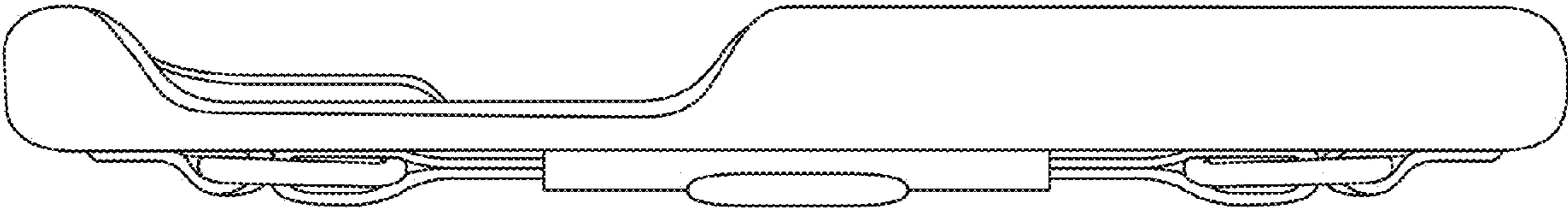


FIG. 4

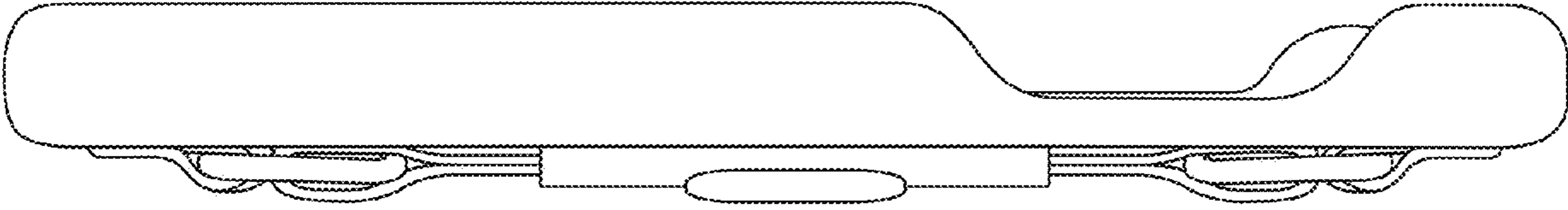


FIG. 5

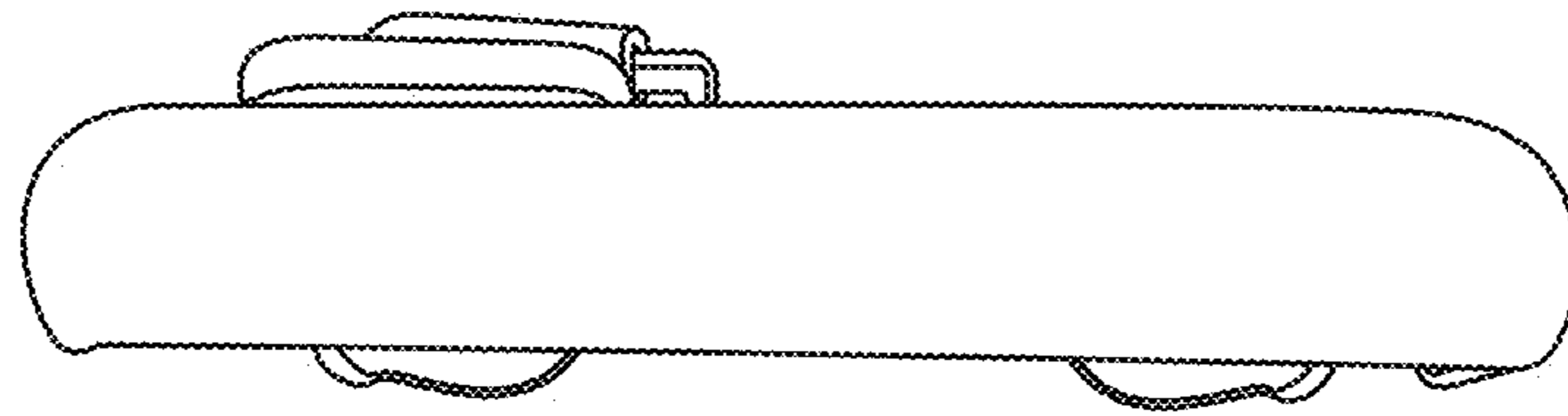


FIG. 6

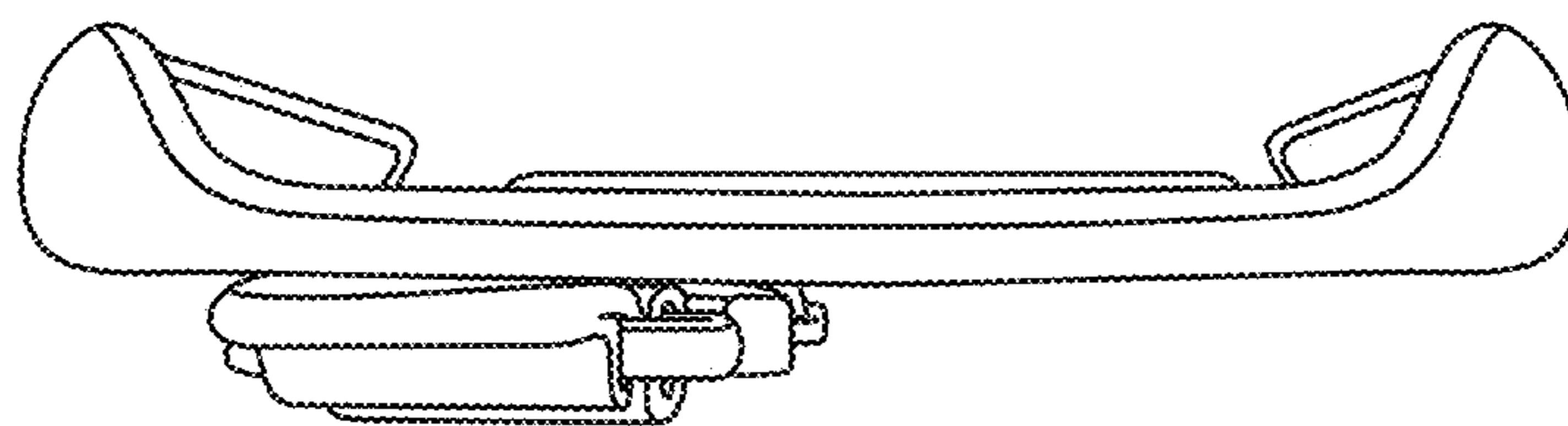


FIG. 7