



US00D956729S

(12) **United States Design Patent**
Goto et al.

(10) **Patent No.:** **US D956,729 S**
(45) **Date of Patent:** **** Jul. 5, 2022**

(54) **SUBSTRATE FOR ANTENNA DEVICE**
(71) Applicant: **Mitsubishi Electric Corporation,**
Tokyo (JP)
(72) Inventors: **Jun Goto,** Tokyo (JP); **Toru**
Fukasawa, Tokyo (JP)
(73) Assignee: **Mitsubishi Electric Corporation,**
Tokyo (JP)

D694,739 S * 12/2013 Badillo D14/239
D719,937 S * 12/2014 Forster D14/230
9,010,648 B2 * 4/2015 Kai H01Q 1/2225
235/487
D788,744 S * 6/2017 Forster D14/230
D801,319 S * 10/2017 Forster D14/230

(Continued)

FOREIGN PATENT DOCUMENTS

CN 307034962 * 12/2021
JP D1391661 * 7/2010

(Continued)

(**) Term: **15 Years**
(21) Appl. No.: **29/754,093**

OTHER PUBLICATIONS

(22) Filed: **Oct. 6, 2020**

Taoglas, Taoglas AP.25M.07.0080A, available at amazon.com, date first available Jan. 26, 2017, site visited Feb. 25, 2022, Available at URL: https://www.amazon.com/dp/B00HKJGSPU/ref=cm_sw_em_r_mt_dp_XS1RPBCJAZSCDX97W1FB (Year: 2017).*

(Continued)

(30) **Foreign Application Priority Data**

May 29, 2020 (JP) 2020-010598 D

(51) **LOC (13) Cl.** **14-03**

(52) **U.S. Cl.**
USPC **D14/230**

(58) **Field of Classification Search**
USPC D14/230, 138, 299, 358, 231-239;
D12/42, 43; D19/1
CPC H01Q 7/00; H01Q 13/10; H01Q 9/285;
H01Q 19/30; H01Q 19/12; H05K 11/00;
G05D 1/0234; G06K 19/07749
See application file for complete search history.

Primary Examiner — Daniel J Domino
Assistant Examiner — Samina Vieth
(74) *Attorney, Agent, or Firm* — Stuebaker & Brackett
PC

(57) **CLAIM**

The ornamental design for a substrate for antenna device, as shown and described.

DESCRIPTION

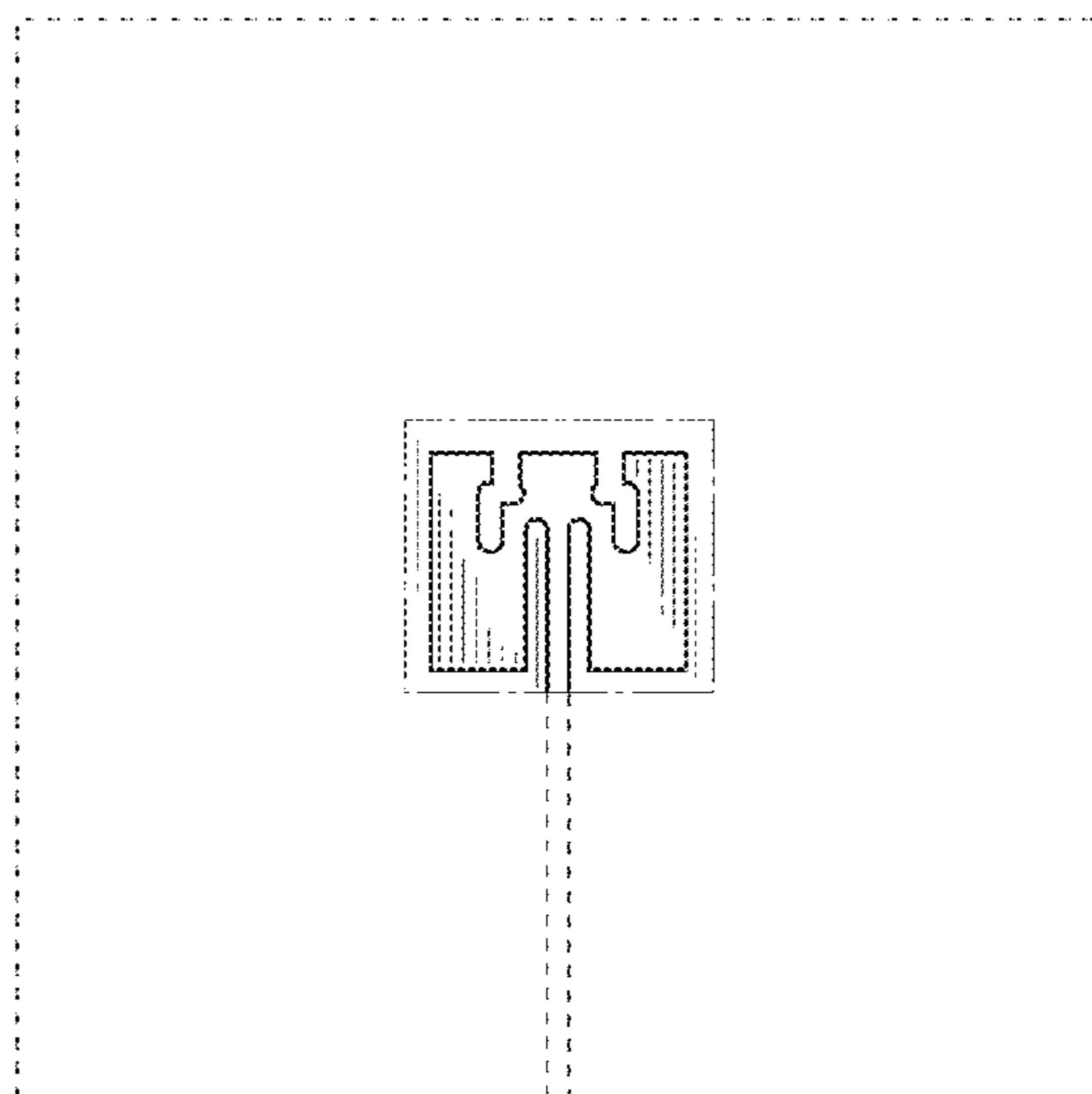
(56) **References Cited**

U.S. PATENT DOCUMENTS

6,342,857 B1 * 1/2002 Lane H01Q 9/0421
343/700 MS
6,346,913 B1 * 2/2002 Chang H01Q 9/0407
343/702
D467,967 S * 12/2002 Shamitoff D19/123
D532,756 S * 11/2006 Lai D13/182
D535,264 S * 1/2007 Lai D13/182
D585,436 S * 1/2009 Fang D14/230
D594,446 S * 6/2009 Kato D14/230

FIG. 1 is a perspective view of a substrate for antenna device, showing our new design; and, FIG. 2 is a front view thereof. The dash and dash broken lines represent portions of the substrate for antenna device that do not form part of the claimed design. Dotted and dashed lines define the bounds of the claimed design and form no part of the claimed design.

1 Claim, 2 Drawing Sheets



(56)

References Cited

U.S. PATENT DOCUMENTS

D880,461 S * 4/2020 Ushijima D14/230
2006/0255946 A1 * 11/2006 Khatri H01Q 1/2208
340/572.7
2017/0187116 A1 * 6/2017 Hong H01Q 9/0407
2019/0334223 A1 * 10/2019 Fang H01Q 7/00
2021/0182647 A1 * 6/2021 Ge G06K 19/067
2021/0234273 A1 * 7/2021 Yuen H01Q 5/314

FOREIGN PATENT DOCUMENTS

KR 300463832.0000 * 10/2007
WO D100589-002 * 9/2018

OTHER PUBLICATIONS

A-Brand, AB2525T 5PCS RFID Reader . . . , available at ebay.com, first posted on Jun. 25, 2020, site visited Feb. 25, 2020, Available at URL: https://www.ebay.com/itm/363030790718?_trkparms=amclsrc%3DITM%26aid%3D1110006%26algo%3DHOMESPLICE.SIM%26ao%3D1%26asc%3D20200818143230%26meid%3Daceb90344caf4a46a64a47576bf (Year: 2020).*

Abrakon, ARRRN5-915.000MHZ, available at arrow.com, date published Jan. 21, 2019, site visited Feb. 25, 2022, Available at URL: <file:///C:/Users/svieth/Downloads/arrn5-915.000mhz.pdf> (Year: 2019).*

* cited by examiner

FIG. 1

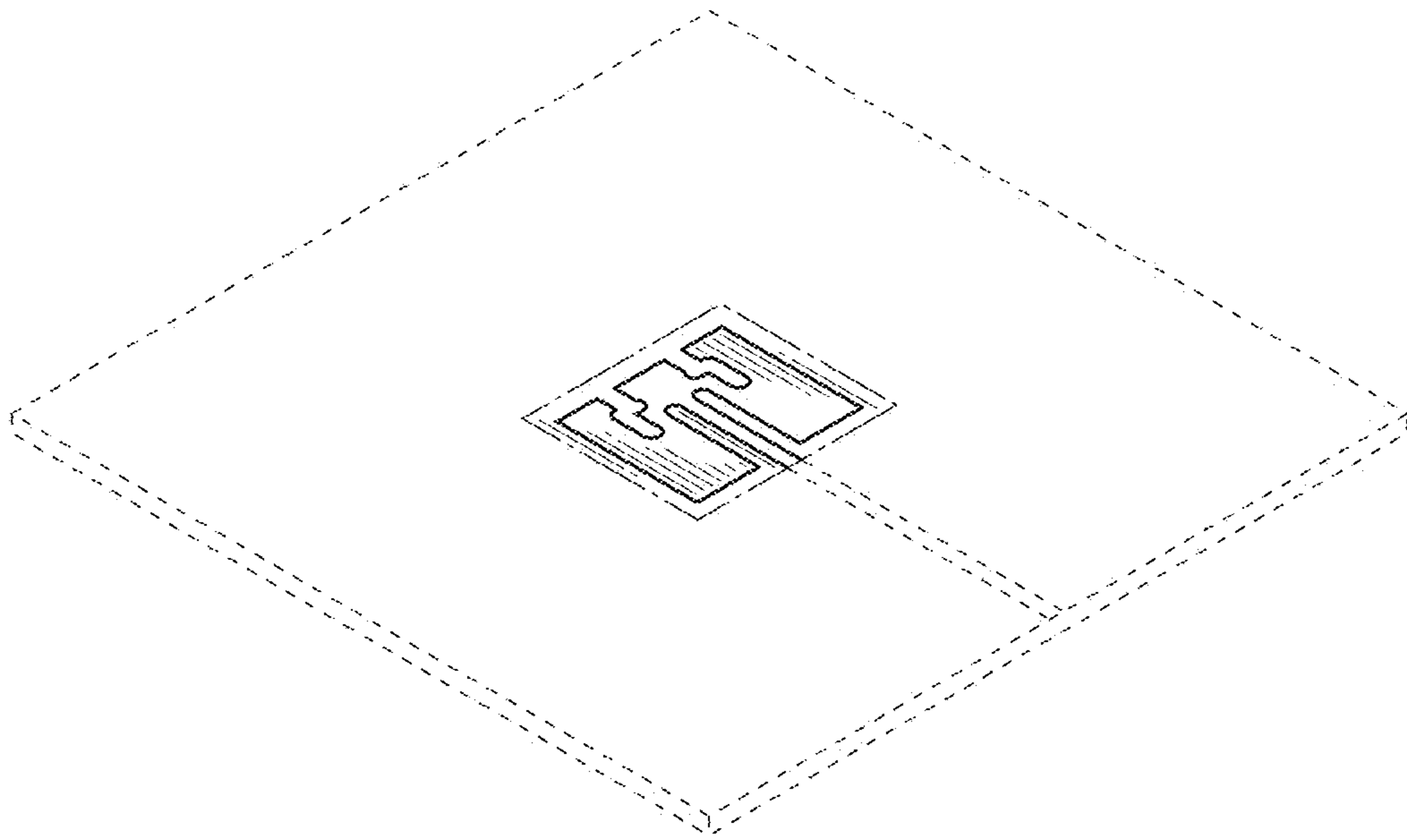


FIG. 2

