



US00D956728S

(12) **United States Design Patent** (10) **Patent No.:** **US D956,728 S**
Takiguchi et al. (45) **Date of Patent:** **** Jul. 5, 2022**

(54) **DATA TRANSMITTING AND RECEIVING DEVICE**

D517,535 S * 3/2006 Wu D14/235
D517,536 S * 3/2006 Wang D14/230
D528,537 S * 9/2006 Wang D14/230

(Continued)

(71) Applicant: **Panasonic Intellectual Property Management Co., Ltd.**, Osaka (JP)

FOREIGN PATENT DOCUMENTS

(72) Inventors: **Shinichi Takiguchi**, Tokyo (JP);
Takashi Koyama, Kanagawa (JP)

CN 305568319 * 1/2020
CN 305912842 * 7/2020

(Continued)

(73) Assignee: **Panasonic Intellectual Property Management Co., Ltd.**, Osaka (JP)

OTHER PUBLICATIONS

(**) Term: **15 Years**

Netgear, Nighthawk AX4 4-Stream . . . , available at officesupply.com, oldest review date 2019, site visited Mar. 25, 2022, Available at URL: <https://bit.ly/3NV7dOT> (Year: 2019).*

(21) Appl. No.: **29/743,278**

(Continued)

(22) Filed: **Jul. 21, 2020**

(30) **Foreign Application Priority Data**

Jan. 29, 2020 (JP) 2020-001502 D

(51) **LOC (13) Cl.** **14-03**

(52) **U.S. Cl.**
USPC **D14/230; D14/242**

(58) **Field of Classification Search**
USPC D14/218, 230, 231-238; D8/32, 377;
D25/41.1, 43, 119; D23/227, 219, 136,
D23/266, 267

CPC H04R 1/02; H04R 1/025; H04R 1/026;
H04R 1/028; H04R 1/34; H04R 1/40;
H04R 1/323; H04R 1/403; G06F 1/1688;
G10K 9/22; G10K 11/004

See application file for complete search history.

(56) **References Cited**

U.S. PATENT DOCUMENTS

D414,777 S * 10/1999 Tsai 343/702
D449,587 S * 10/2001 Cronin D13/179
D460,452 S * 7/2002 Yoshie D14/358
D488,150 S * 4/2004 Chen D14/242
D516,061 S * 2/2006 Wang D14/235

Primary Examiner — Daniel J Domino
Assistant Examiner — Samina Vieth

(74) *Attorney, Agent, or Firm* — Panasonic IP Management; Kerry S. Culpepper

(57) **CLAIM**

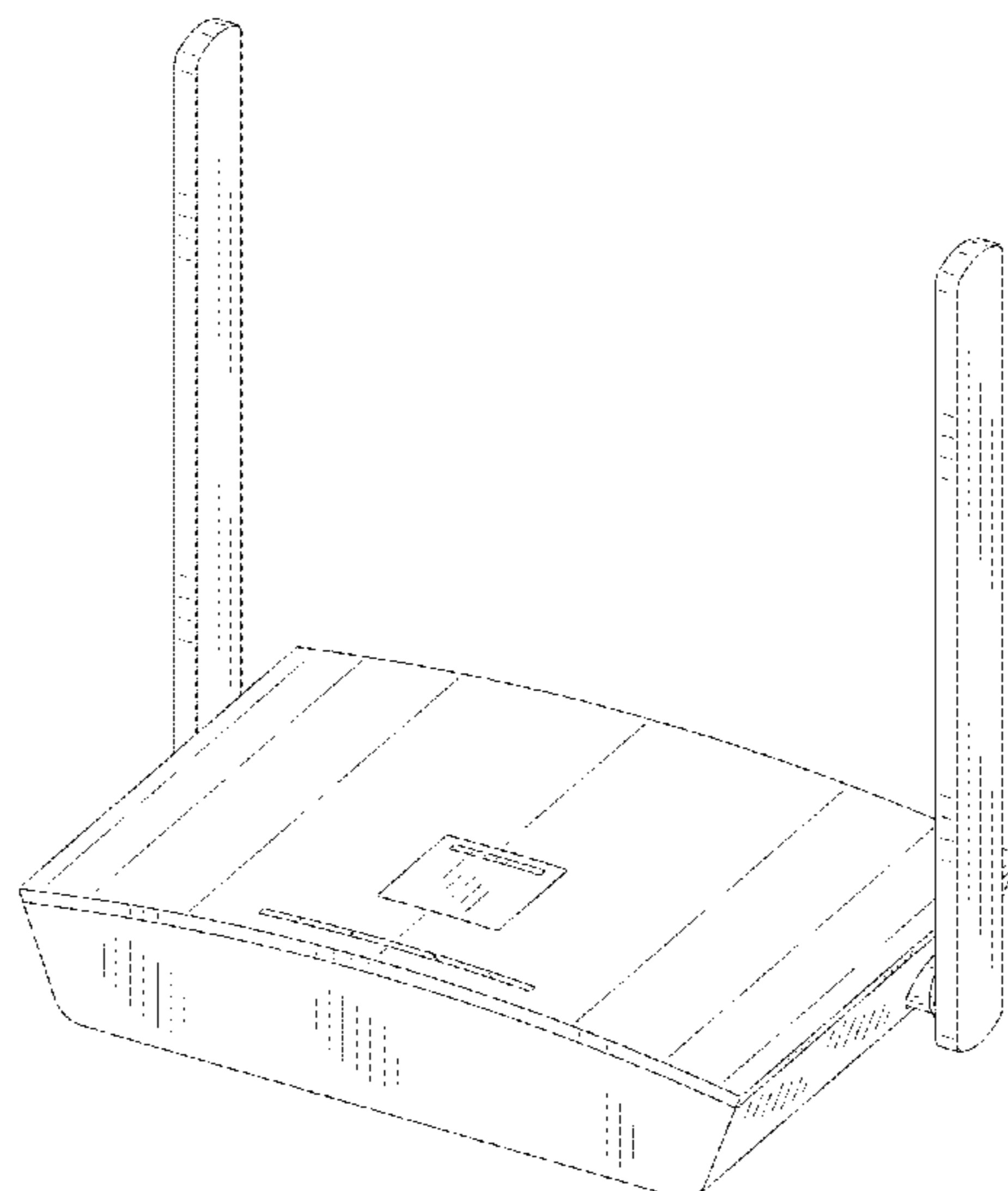
We claim the ornamental design for a data transmitting and receiving device, as shown and described.

DESCRIPTION

FIG. 1 is a front perspective view of a data transmitting and receiving device of the present invention; FIG. 2 is a rear perspective view thereof; FIG. 3 is a front view thereof; FIG. 4 is a rear view thereof; FIG. 5 is a first side view thereof; FIG. 6 is a second side view thereof; FIG. 7 is a top view thereof; and, FIG. 8 is a bottom view thereof.

The broken lines in the drawings represent portions of the data transmitting and receiving device that form no part of the claimed design.

1 Claim, 8 Drawing Sheets



(56)

References Cited

U.S. PATENT DOCUMENTS

D529,903 S	*	10/2006	McRae	D14/240
D531,625 S	*	11/2006	Hori	D14/230
D540,314 S	*	4/2007	Allen	D14/230
D579,008 S	*	10/2008	Su	D14/230
D579,010 S	*	10/2008	Tseng	D14/242
D580,422 S	*	11/2008	Lee	D14/240
D596,177 S	*	7/2009	Steele	D14/358
D602,020 S	*	10/2009	Haspil	D14/358
D610,133 S	*	2/2010	Asano	D14/240
D788,084 S	*	5/2017	Tinaphong	D14/230
D808,939 S	*	1/2018	Tinaphong	D14/230
D821,375 S	*	6/2018	Ramones	D14/242
D862,426 S	*	10/2019	Benedetti	D14/230
D875,086 S	*	2/2020	Ahman	D14/230

FOREIGN PATENT DOCUMENTS

CN	306402409	*	3/2021
CN	306928604	*	11/2021

OTHER PUBLICATIONS

ZDnet, Panasonic PressIT . . . Review . . . , available at zdnet.com, date published Jan. 18, 2021, site visited Mar. 25, 2022, available at URL [https://www.zdnet.com/product/panasonic-pressit-wireless-presentation-system/\(Year: 2021\).*](https://www.zdnet.com/product/panasonic-pressit-wireless-presentation-system/(Year:2021).*)

Linksys, Linksys 802.11n Wireless Gateway Router . . . , available at officesupply.com, oldest review date 2016, site visited Mar. 25, 2022, available at URL <https://bit.ly/3xsm3Hd> (Year: 2016).*

Tenda, Tenda N301 Wireless . . . Router . . . , available at staples.com, oldest review date Jan. 11, 2021, site visited Mar. 25, 2022, available at URL: https://www.staples.com/tenda-n300-single-band-wireless-and-ethernet-router-white-n301/product_24454421?ci_sku=24454421&KPID=24454421 (Year: 2021).*

* cited by examiner

FIG. 1

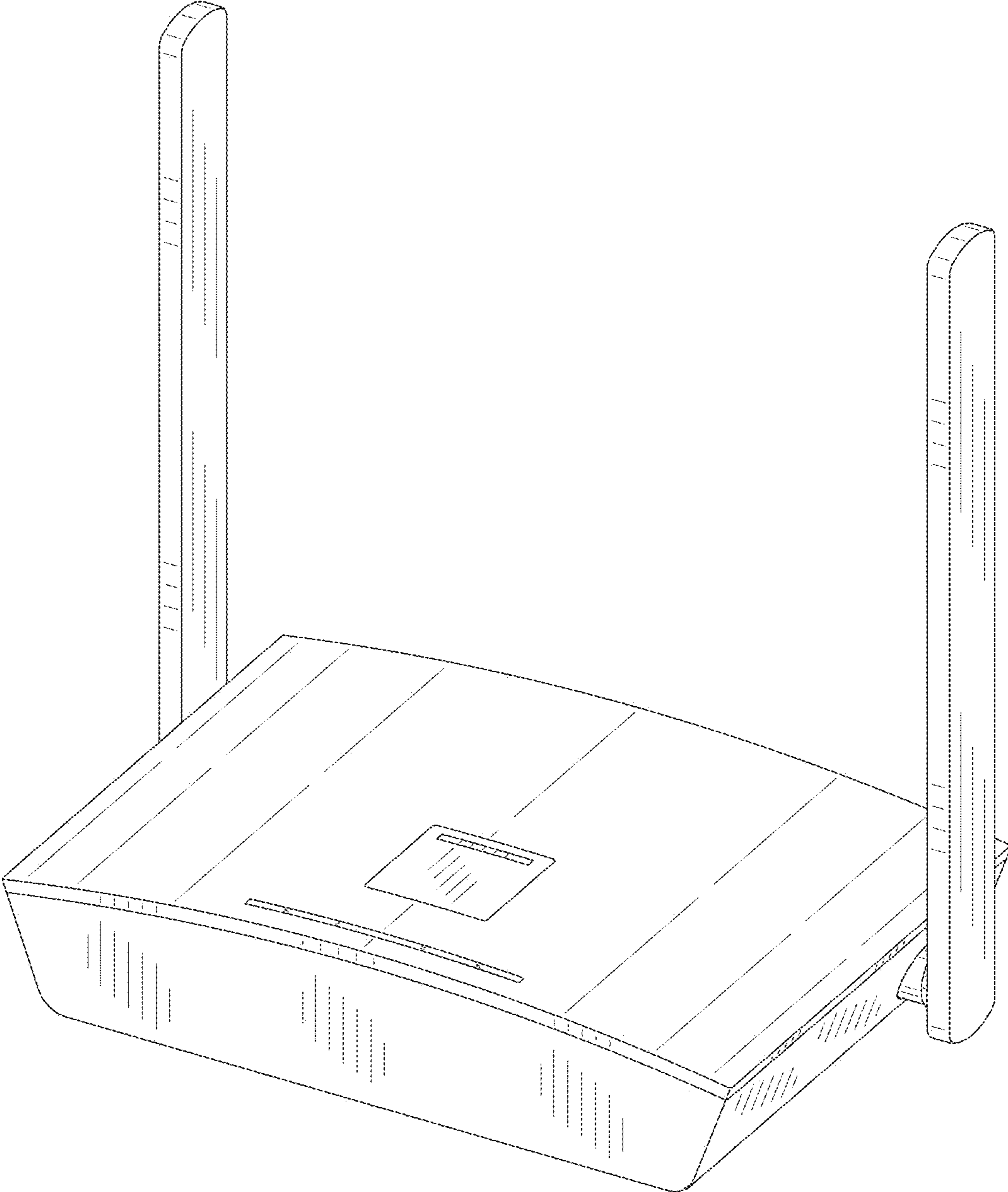


FIG. 2

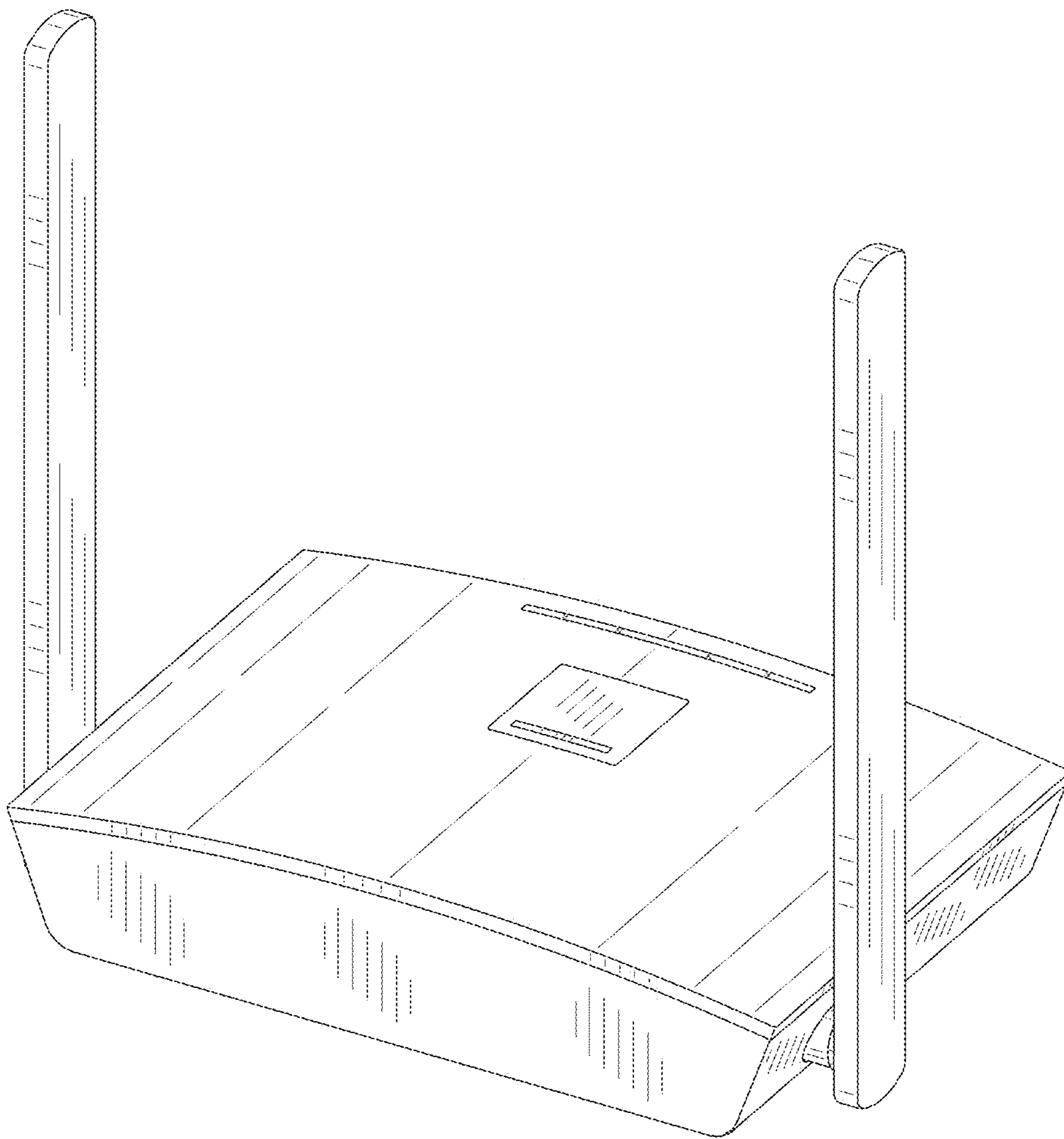


FIG. 3

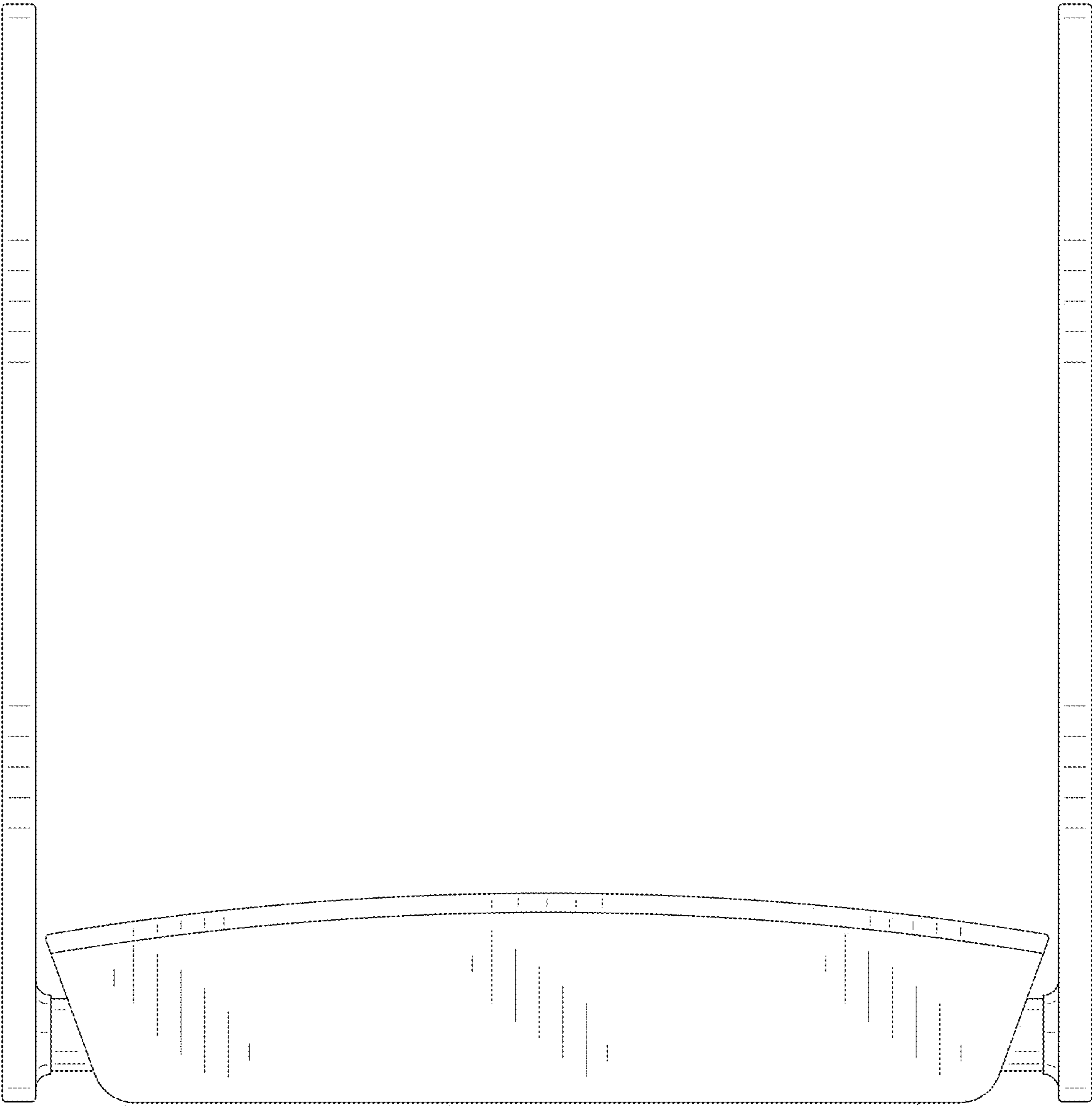


FIG. 4

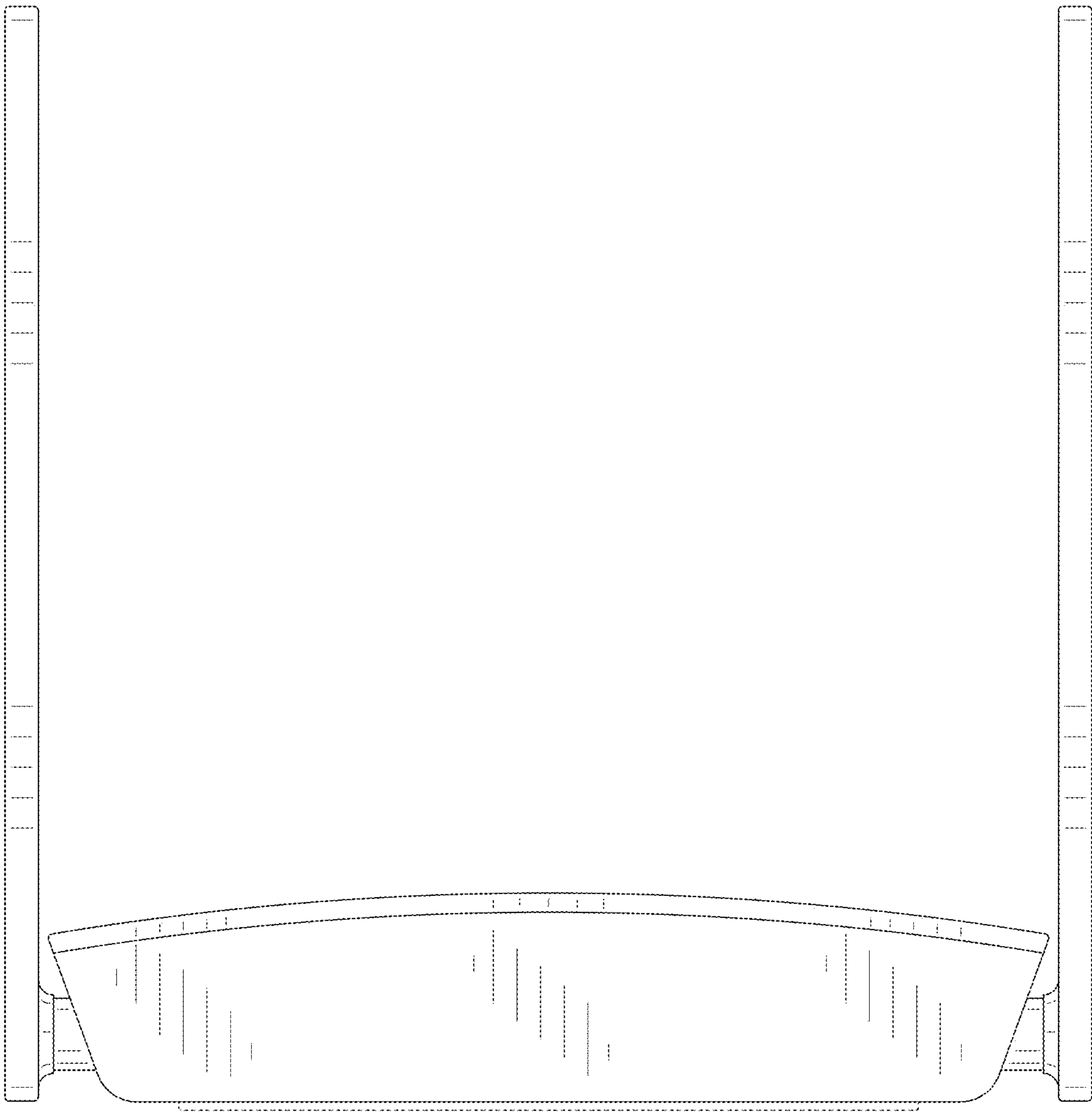


FIG. 5

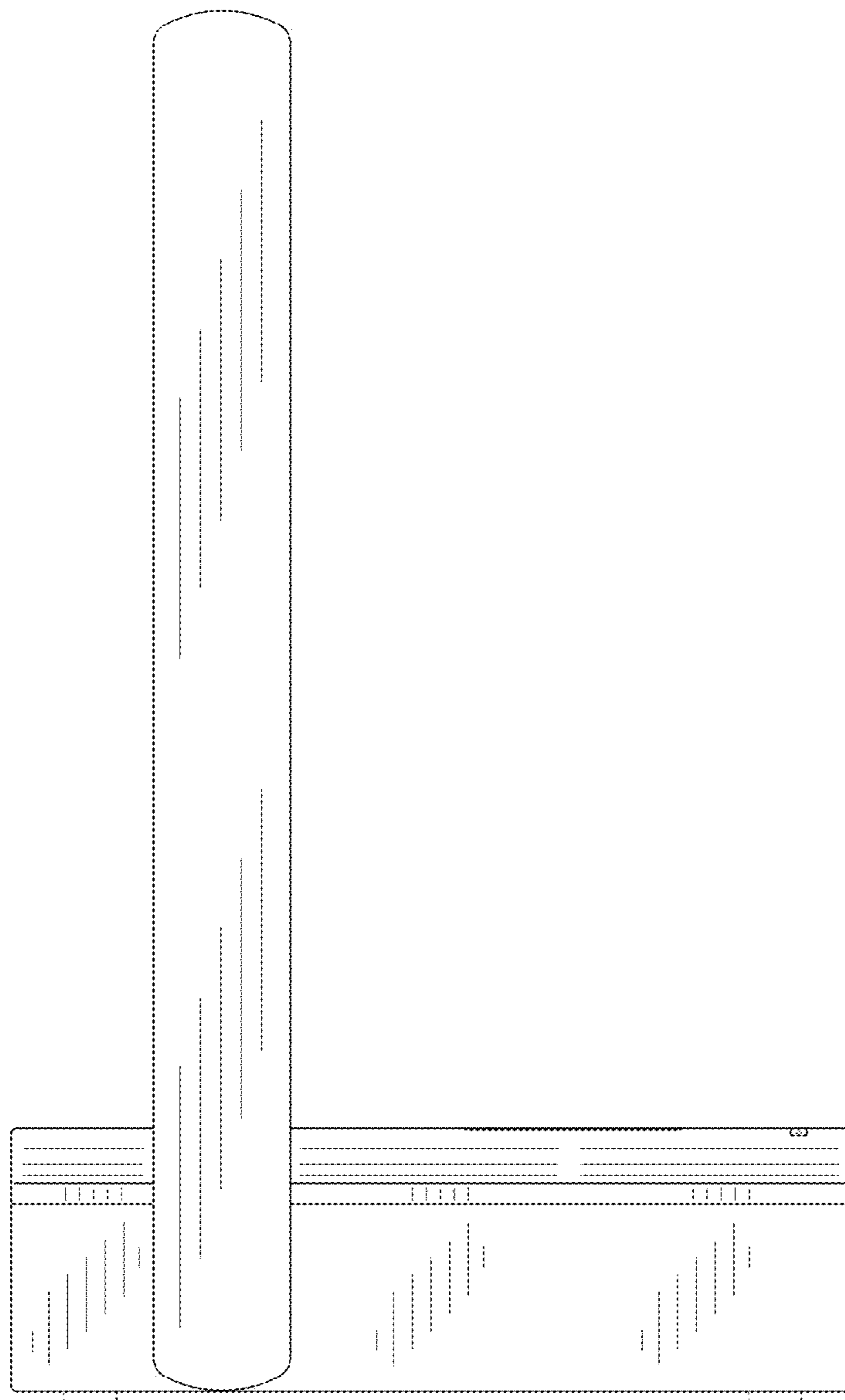


FIG. 6

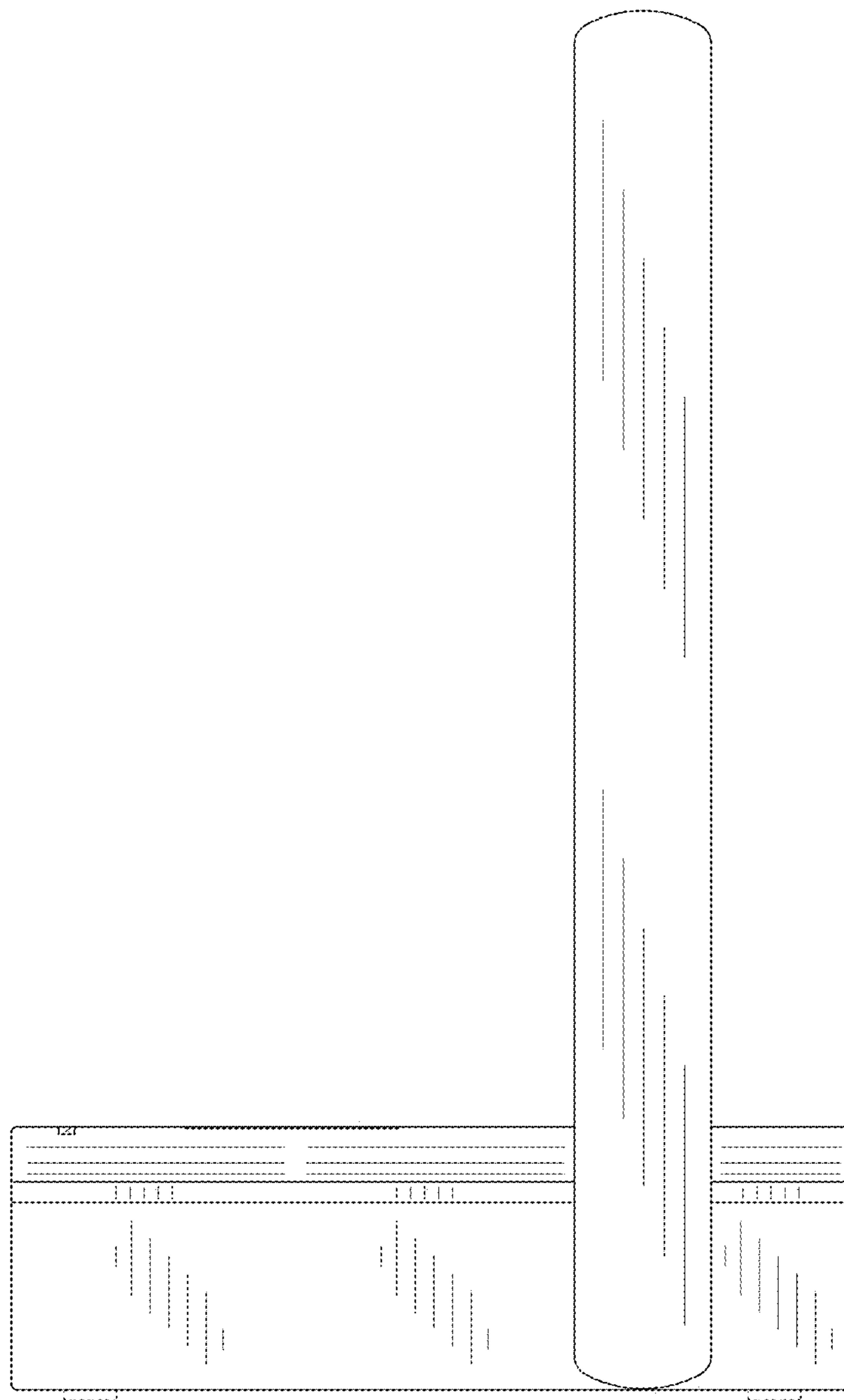


FIG. 7

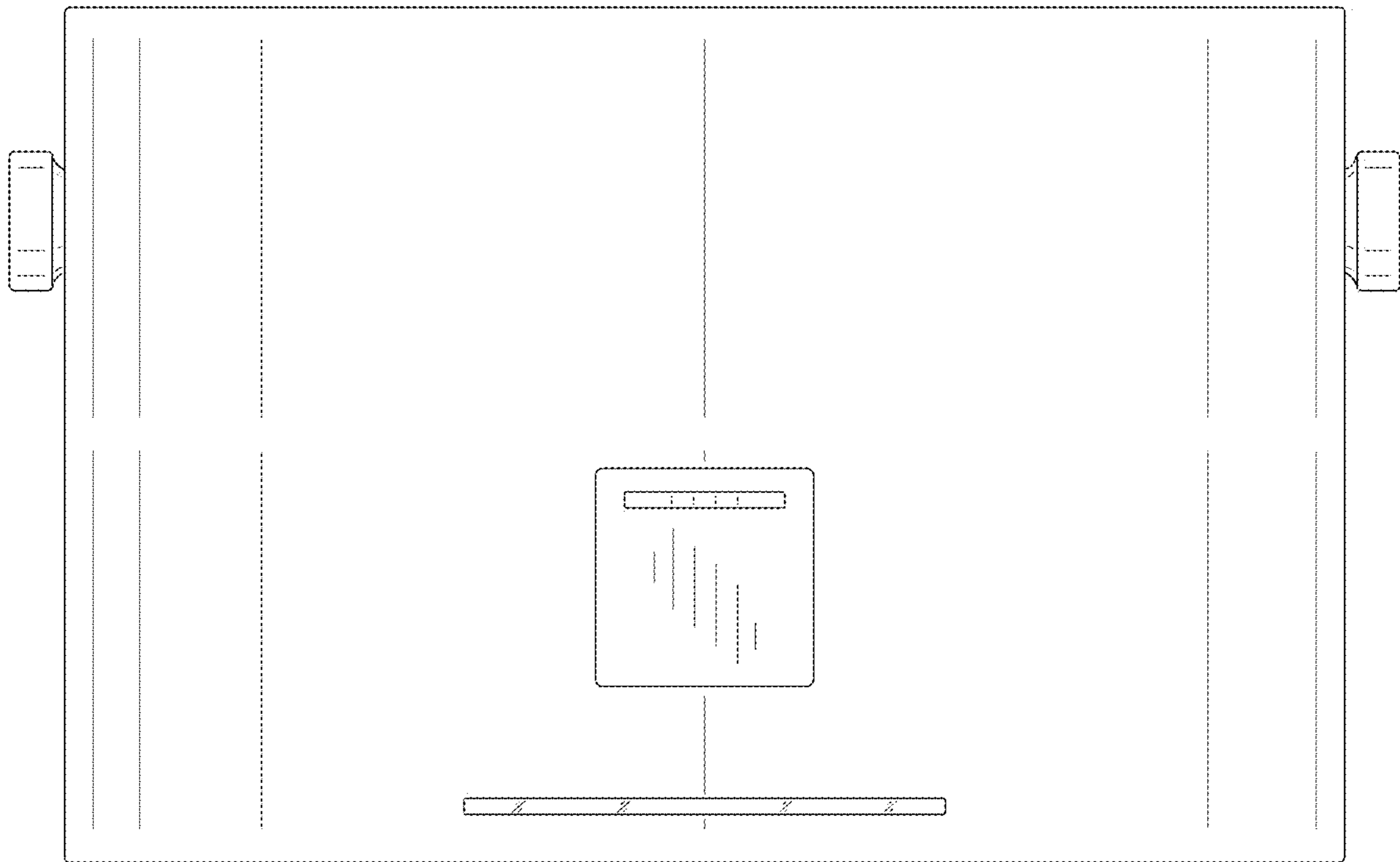


FIG. 8

