



US00D956727S

(12) **United States Design Patent** (10) **Patent No.:** **US D956,727 S**  
**Takiguchi et al.** (45) **Date of Patent:** **\*\* Jul. 5, 2022**

(54) **DATA TRANSMITTING DEVICE**  
(71) Applicant: **Panasonic Intellectual Property Management Co., Ltd., Osaka (JP)**  
(72) Inventors: **Shinichi Takiguchi, Tokyo (JP); Takashi Koyama, Kanagawa (JP)**  
(73) Assignee: **Panasonic Intellectual Property Management Co., Ltd., Osaka (JP)**

D416,023 S \* 11/1999 Du ..... D14/242  
D429,238 S \* 8/2000 Kolinen ..... D14/240  
D437,314 S \* 2/2001 DeLeon ..... D14/242  
(Continued)

(\*\*) Term: **15 Years**  
(21) Appl. No.: **29/743,277**

**FOREIGN PATENT DOCUMENTS**

CN 304541886 \* 3/2018  
CN 304559699 \* 3/2018  
CN 306620692 \* 6/2021

(22) Filed: **Jul. 21, 2020**  
(30) **Foreign Application Priority Data**

**OTHER PUBLICATIONS**

Aloici, Wireless Doorbell . . . , available at aloici.com, oldest review date Feb. 2, 2018, site visited Mar. 21, 2022, available at URL: <https://www.aloici.com/product/aloici-wireless-doorbell-waterproof-chime-kit/#reviews> (Year: 2018).\*  
(Continued)

Jan. 29, 2020 (JP) ..... 2020-001504 D  
(51) **LOC (13) Cl.** ..... **14-03**  
(52) **U.S. Cl.**  
USPC ..... **D14/230**  
(58) **Field of Classification Search**  
USPC ..... D14/218, 230, 231-238; D8/32, 377;  
D25/41.1, 43, 119; D23/227, 219, 136,  
D23/266, 267  
CPC ..... H04R 1/02; H04R 1/025; H04R 1/026;  
H04R 1/028; H04R 1/34; H04R 1/40;  
H04R 1/323; H04R 1/403; G06F 1/1688;  
G10K 9/22; G10K 11/004  
See application file for complete search history.

*Primary Examiner* — Daniel J Domino  
*Assistant Examiner* — Samina Vieth  
(74) *Attorney, Agent, or Firm* — Panasonic IP Management; Kerry S. Culpepper

(56) **References Cited**

**U.S. PATENT DOCUMENTS**

D312,797 S \* 12/1990 Lomas ..... D10/118  
5,548,643 A \* 8/1996 Dalgleish ..... H05K 7/1428  
379/434  
D379,993 S \* 6/1997 Devitt ..... D14/149  
D392,644 S \* 3/1998 McGugan ..... D13/184  
D394,266 S \* 5/1998 Hogenbirk ..... D14/240

(57) **CLAIM**

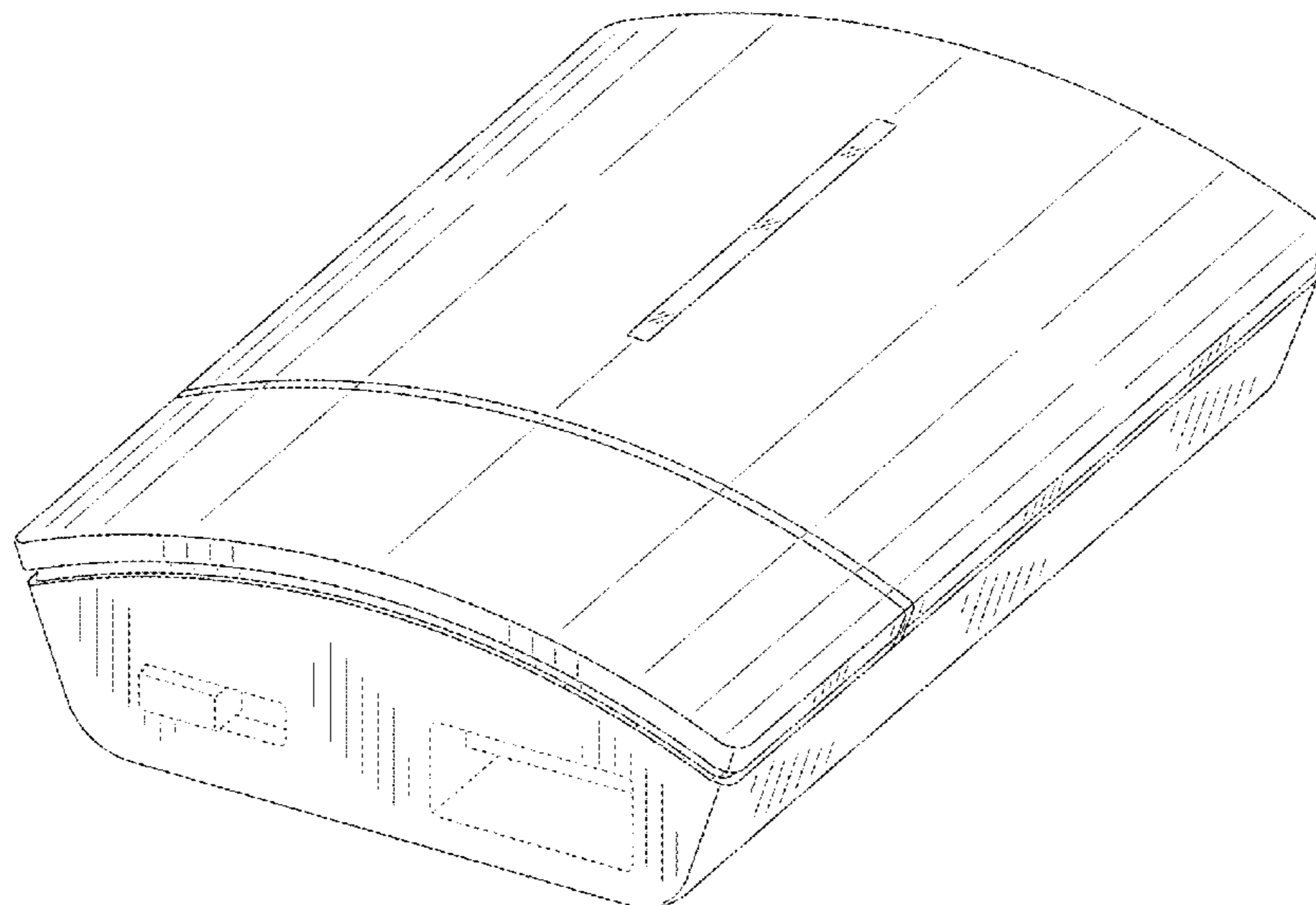
We claim the ornamental design for a data transmitting device, as shown and described.

**DESCRIPTION**

FIG. 1 is a front perspective view of a data transmitting device of the present invention;  
FIG. 2 is a rear perspective view thereof;  
FIG. 3 is a front view thereof;  
FIG. 4 is a rear view thereof;  
FIG. 5 is a first side view thereof;  
FIG. 6 is a second side view thereof;  
FIG. 7 is a top view thereof; and,  
FIG. 8 is a bottom view thereof.

The broken lines in the drawings represent portions of the data transmitting device that form no part of the claimed design.

**1 Claim, 8 Drawing Sheets**



(56)

**References Cited**

## U.S. PATENT DOCUMENTS

D438,533	S	*	3/2001	Arpe	.....	D14/240
D450,680	S	*	11/2001	Yuyama	.....	D14/198
D460,452	S	*	7/2002	Yoshie	.....	D14/358
D473,221	S	*	4/2003	Gargani	.....	D14/240
D485,551	S	*	1/2004	Mikkola	.....	D14/240
D516,061	S	*	2/2006	Wang	.....	D14/235
D528,537	S	*	9/2006	Wang	.....	D14/230
D535,646	S	*	1/2007	Allen	.....	D14/230
D540,314	S	*	4/2007	Allen	.....	D14/230
D550,216	S	*	9/2007	Allen	.....	D14/230
D619,571	S	*	7/2010	Lee	.....	D14/242
D693,798	S	*	11/2013	Chuang	.....	D14/240
D732,010	S	*	6/2015	Hsiau	.....	D14/240
D781,797	S	*	3/2017	Moon	.....	D14/125
D816,648	S	*	5/2018	Kwak	.....	D14/240
D875,086	S	*	2/2020	Ahman	.....	D14/230
D890,148	S	*	7/2020	Zhao	.....	D14/230
D933,191	S	*	10/2021	Shimada	.....	D23/385

## OTHER PUBLICATIONS

Utilitech, White Doorbell, available at lowes.com, oldest review date Aug. 31, 2014, site visited Mar. 21, 2022, available at URL: <https://low.es/3DNDeUy> (Year: 2014).\*

Motorola, MG8725 Multi-Gig Cable Modem . . . , available at amazon.com, date first available Dec. 22, 2021, site visited Mar. 21, 2022, available at URL: [https://www.amazon.com/dp/B09M968C9Z/ref=cm\\_sw\\_em\\_r\\_mt\\_dp\\_6769NWQSXNBH5FBW2NPJ?\\_encoding=UTF8&psc=1](https://www.amazon.com/dp/B09M968C9Z/ref=cm_sw_em_r_mt_dp_6769NWQSXNBH5FBW2NPJ?_encoding=UTF8&psc=1) (Year: 2021).\*

\* cited by examiner

FIG. 1

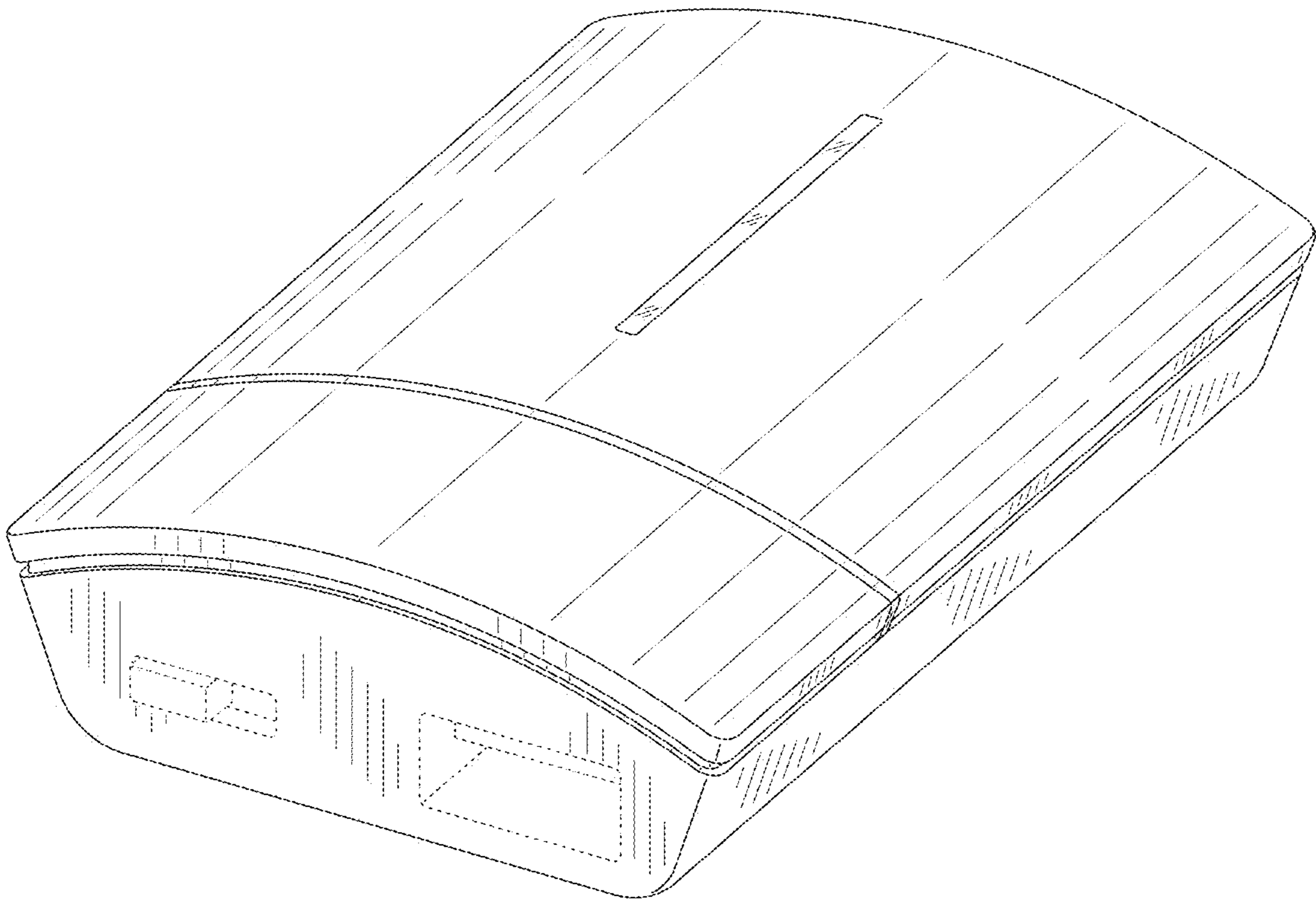


FIG. 2

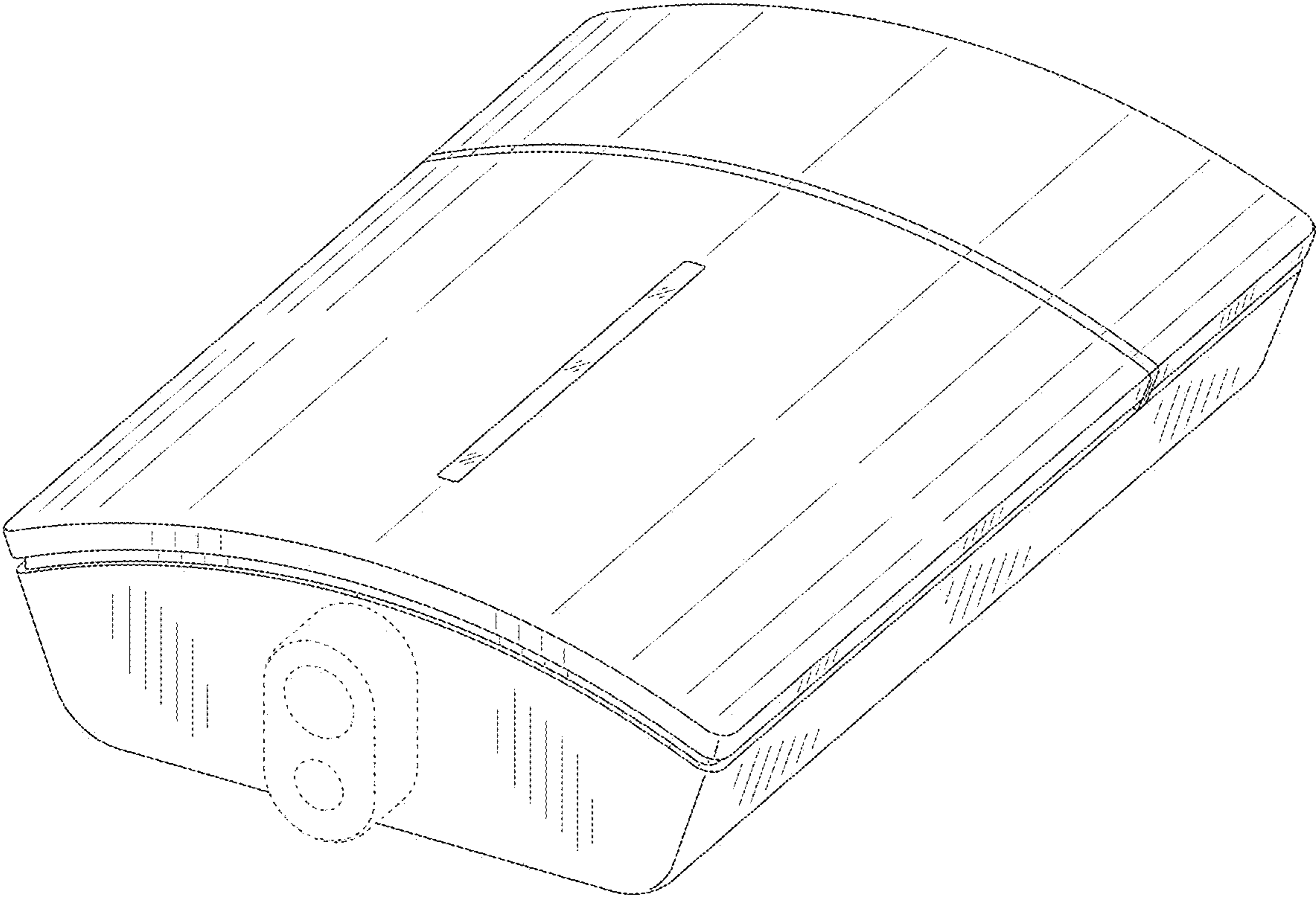


FIG. 3

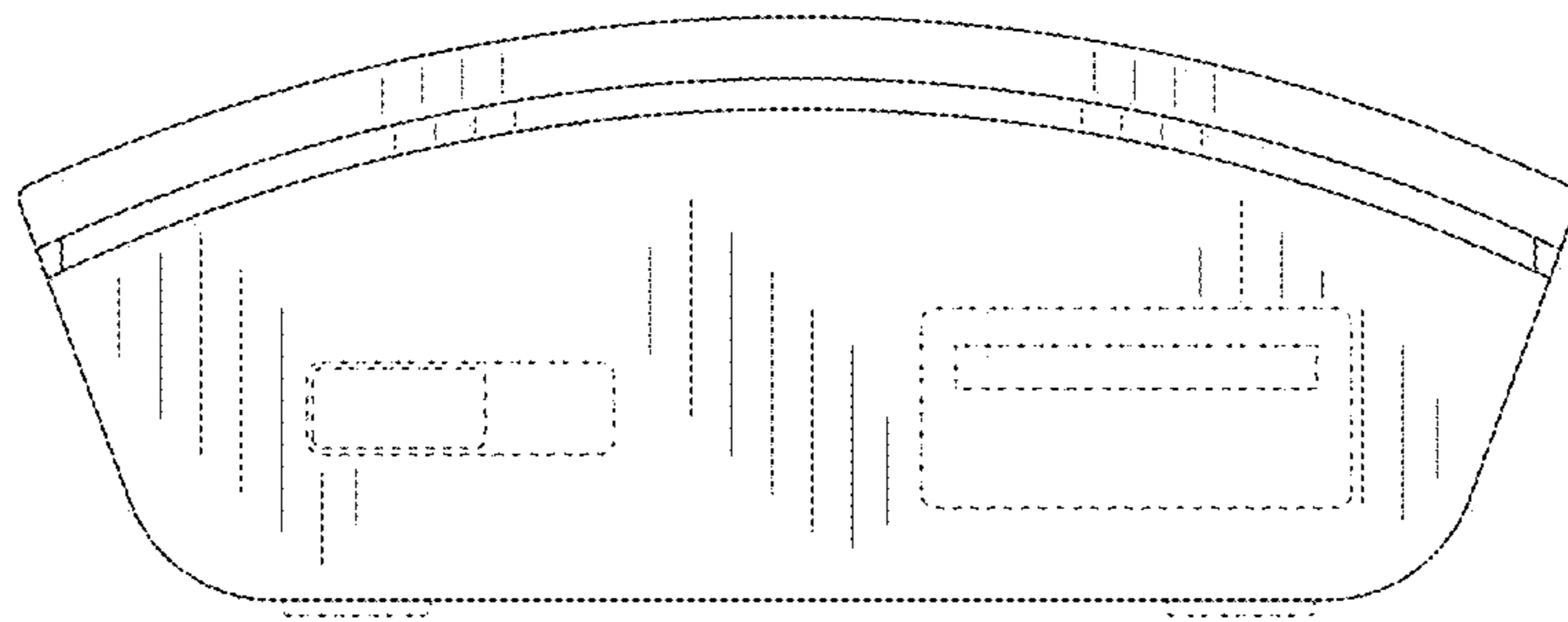


FIG. 4

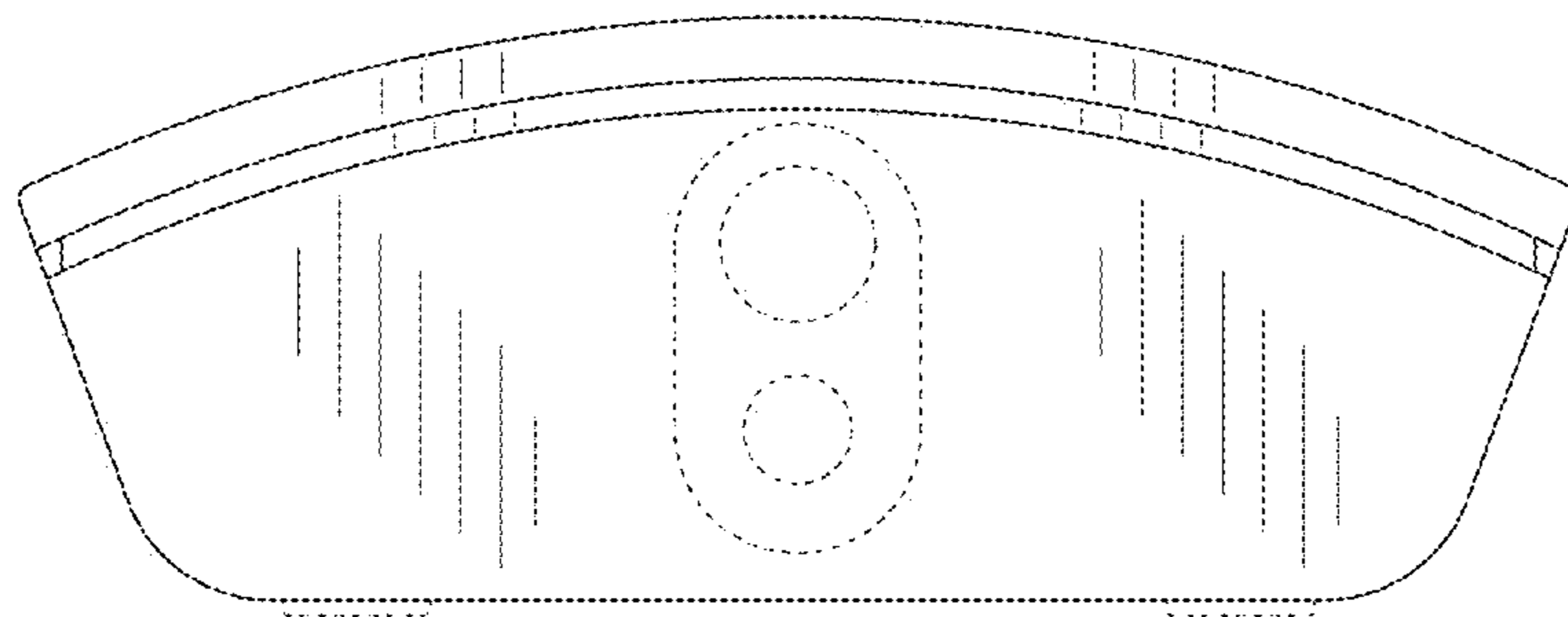


FIG. 5

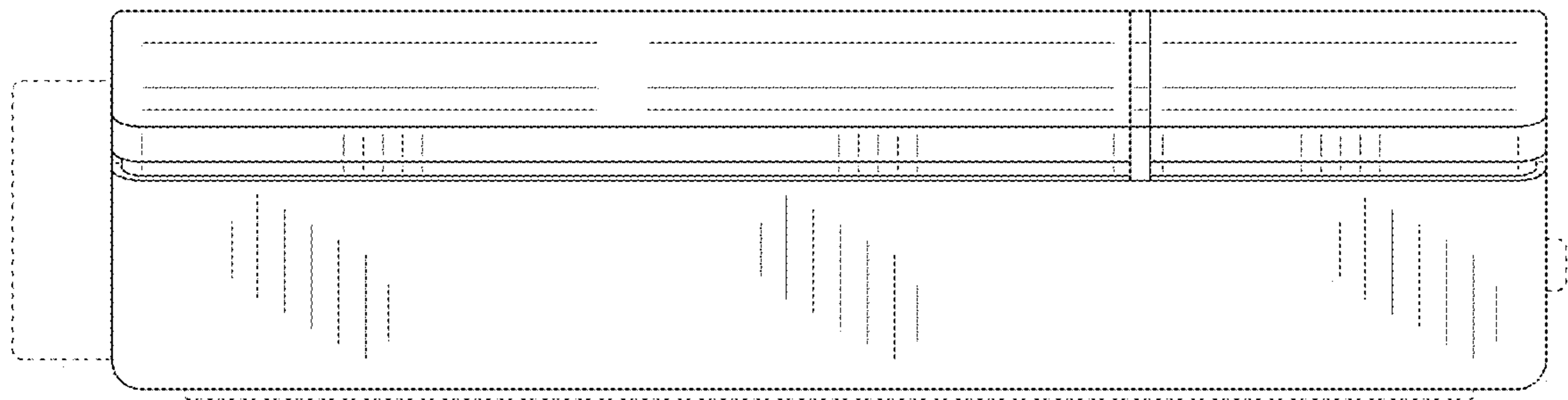


FIG. 6

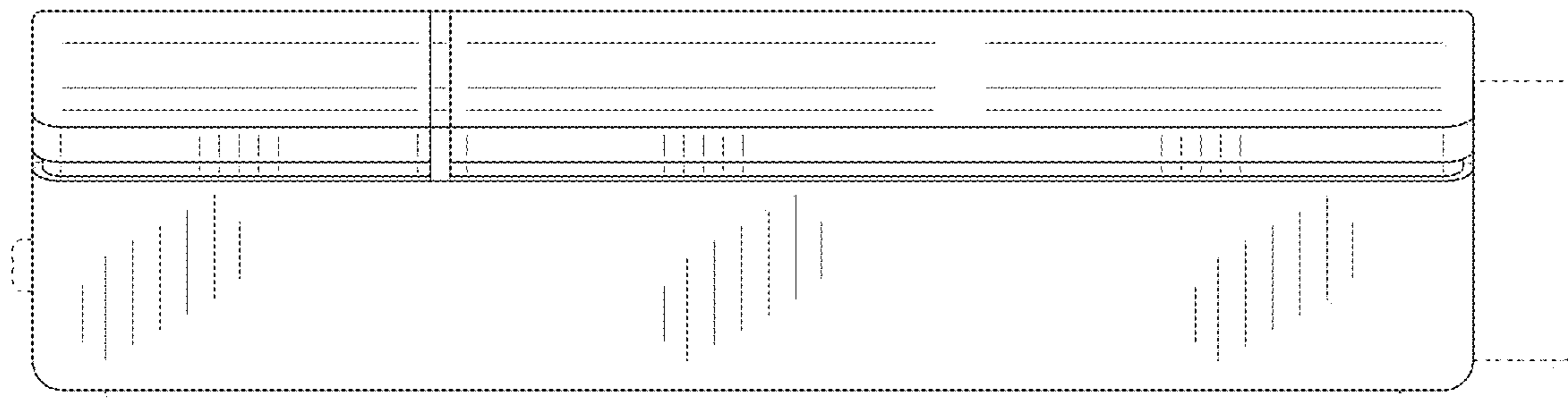




FIG. 7

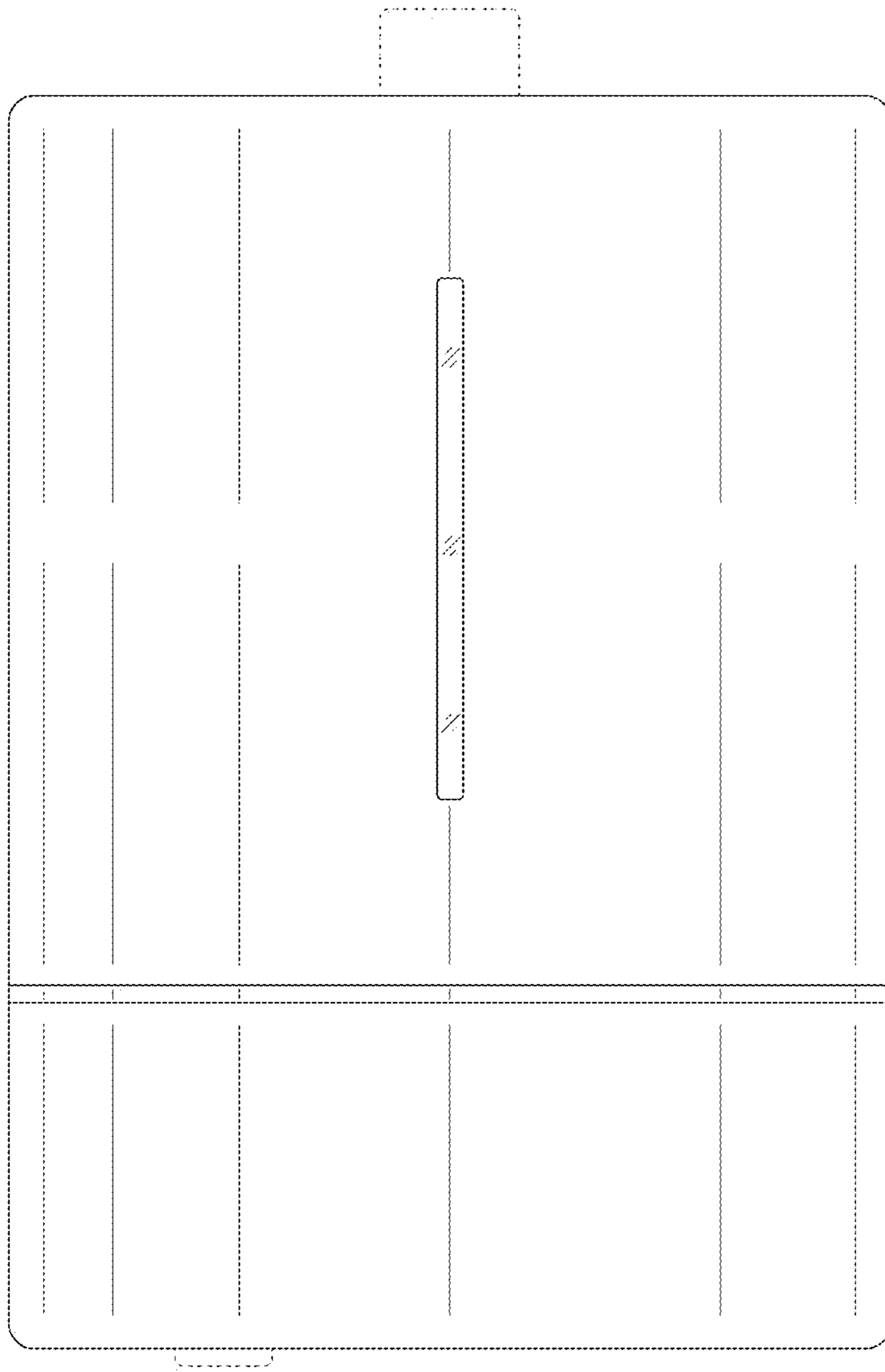


FIG. 8

