



US00D956722S

(12) **United States Design Patent**  
**Zhou**

(10) **Patent No.:** **US D956,722 S**  
(45) **Date of Patent:** **\*\* Jul. 5, 2022**

(54) **WIRELESS EARBUDS WITH CHARGING CASE**

- (71) Applicant: **HANK ELECTRONICS CO., LTD,**  
Shenzhen (CN)
- (72) Inventor: **Yuchun Zhou,** Shenzhen (CN)
- (73) Assignee: **HANK ELECTRONICS CO., LTD,**  
Shenzhen (CN)

(\*\*) Term: **15 Years**

(21) Appl. No.: **29/776,140**

(22) Filed: **Mar. 29, 2021**

(51) **LOC (13) Cl.** ..... **14-01**

(52) **U.S. Cl.**

USPC ..... **D14/223; D13/108**

(58) **Field of Classification Search**

USPC ..... D14/223, 205, 224; D13/108; D3/201,  
D3/274, 294; D9/420, 424, 529, 521;  
D28/83, 66, 76, 78; 206/702, 268;  
220/4.22; D24/174; 128/864-866;  
381/380-381, 322, 328; 320/110;  
455/90.3, 575.1, 569.1

CPC ..... H04R 1/10; H04R 1/066; H04R 1/1016;  
H04R 5/033; H04R 5/0335; B65D 5/00;  
B65D 43/02; B65D 25/10; A61F 11/08

See application file for complete search history.

(56) **References Cited**

**U.S. PATENT DOCUMENTS**

- 4,646,872 A \* 3/1987 Kamon ..... H04R 1/225  
181/149
- D323,292 S \* 1/1992 Jones ..... D9/424
- D469,753 S \* 2/2003 Andre ..... D14/205

(Continued)

**FOREIGN PATENT DOCUMENTS**

- CA 193607 \* 2/2022
- EM 001477913-0001 \* 4/2020

(Continued)

*Primary Examiner* — Paula Allen Greene

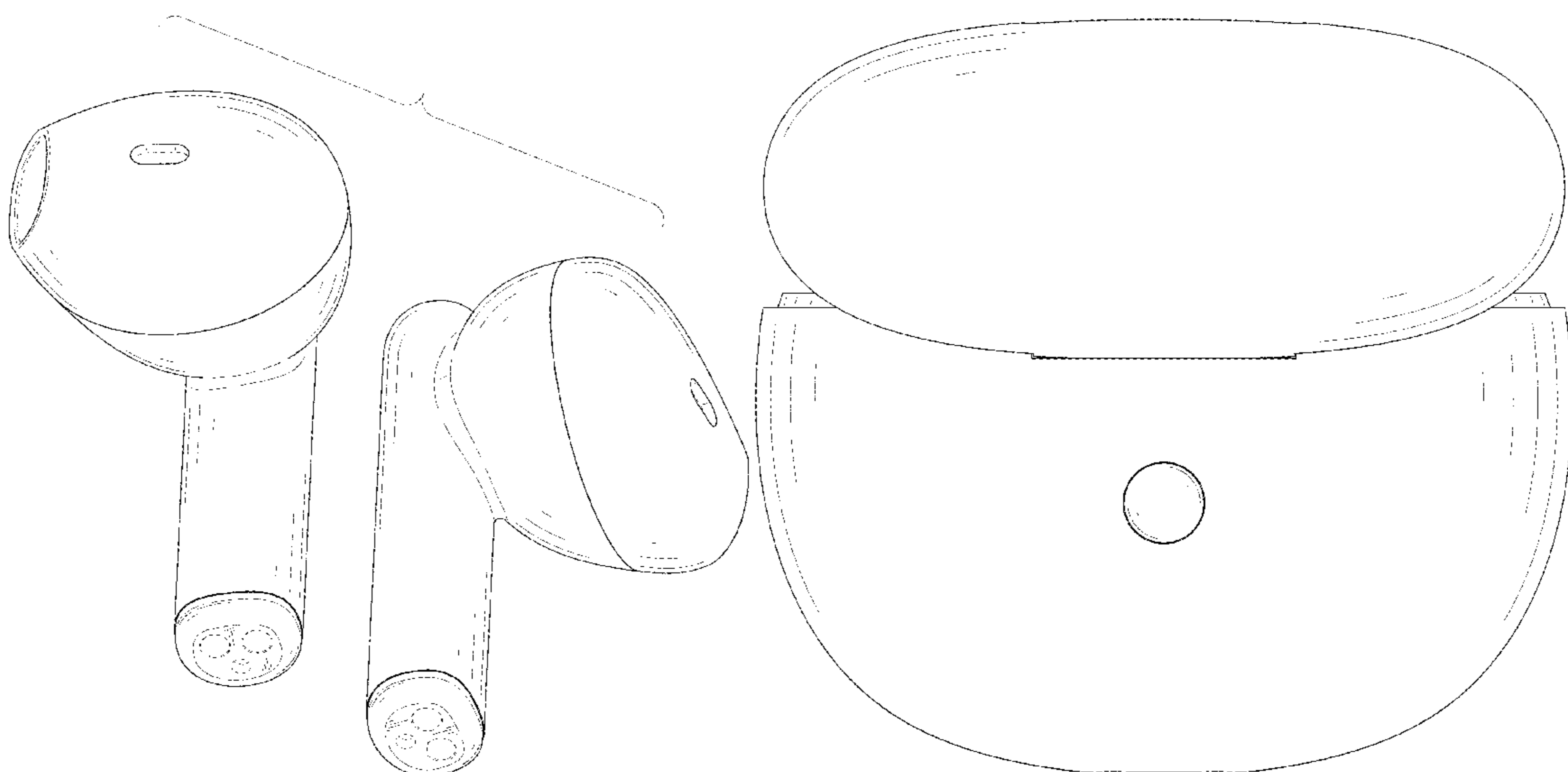
(57) **CLAIM**

The ornamental design for wireless earphones with charging case, as shown and described.

**DESCRIPTION**

FIG. 1 is a perspective view of wireless earphones of wireless earphones with charging case, shown separately for ease of illustration;  
 FIG. 2 is another perspective view thereof;  
 FIG. 3 is a front elevational view thereof;  
 FIG. 4 is a rear elevational view thereof;  
 FIG. 5 is a left side elevational view thereof;  
 FIG. 6 is a right side elevational view thereof;  
 FIG. 7 is a top plan view thereof;  
 FIG. 8 is a bottom plan view thereof;  
 FIG. 9 is a perspective view of a charging case of the wireless earphones with charging case, shown separately for ease of illustration in an open position;  
 FIG. 10 is another perspective view thereof;  
 FIG. 11 is a front elevational view thereof;  
 FIG. 12 is a rear elevational view thereof;  
 FIG. 13 is a left side elevational view thereof;  
 FIG. 14 is a right side elevational view thereof;  
 FIG. 15 is a top plan view thereof;  
 FIG. 16 is a bottom plan view thereof;  
 FIG. 17 is a perspective view of the wireless earphones with charging case, shown in use with the earphones received in the charging case; and,  
 FIG. 18 is a perspective view of the charging case of the earphones with the charging case, shown separately for ease of illustration and in a closed configuration.  
 The broken lines in the drawings depict portions of the wireless earphones with charging case that form no part of the claimed design.

**1 Claim, 18 Drawing Sheets**



(56)

References Cited

U.S. PATENT DOCUMENTS

6,574,345 B1 \* 6/2003 Huang ..... H04R 1/1016  
 379/430  
 D671,530 S \* 11/2012 Yang ..... D14/223  
 D681,015 S \* 4/2013 Akana ..... H04R 1/1016  
 D14/223  
 D733,101 S \* 6/2015 Pi ..... D14/223  
 D733,689 S \* 7/2015 Narita ..... D14/223  
 D757,682 S \* 5/2016 Perez ..... D14/205  
 D798,844 S \* 10/2017 Nokuo ..... D14/223  
 D801,314 S \* 10/2017 Akana ..... D14/223  
 D806,388 S \* 1/2018 Akana ..... D3/294  
 D818,268 S \* 5/2018 Akana ..... D3/294  
 D820,809 S \* 6/2018 Akana ..... D14/219  
 D830,336 S \* 10/2018 Cai ..... D14/205  
 D869,445 S \* 12/2019 Hu ..... D14/223  
 D876,526 S \* 2/2020 Fuller ..... D16/237  
 D878,337 S \* 3/2020 Yang ..... D14/223  
 D889,439 S \* 7/2020 Hsieh ..... D14/223  
 D892,497 S \* 8/2020 Wright ..... D3/218  
 D893,185 S \* 8/2020 Liu ..... D3/294  
 D895,582 S \* 9/2020 Wu ..... D14/223  
 D896,206 S \* 9/2020 Xu ..... D14/223  
 D897,678 S \* 10/2020 Koh ..... D3/294  
 D897,997 S \* 10/2020 Zhang ..... D14/223  
 D902,588 S \* 11/2020 Zhang ..... D3/294  
 D904,005 S \* 12/2020 Jung ..... D3/201  
 D904,023 S \* 12/2020 Wang ..... D14/223  
 D904,025 S \* 12/2020 Ma ..... D3/294  
 D906,299 S \* 12/2020 Luo ..... D14/223  
 D913,223 S \* 3/2021 Li ..... D3/294  
 D914,652 S \* 3/2021 Chen ..... D14/223  
 D915,355 S \* 4/2021 Xiang ..... D14/223  
 D918,138 S \* 5/2021 Ma ..... D3/294  
 D918,178 S \* 5/2021 Chen ..... D14/223  
 D918,179 S \* 5/2021 Zhao ..... D14/223  
 D922,986 S \* 6/2021 Li ..... D14/223

D923,609 S \* 6/2021 Li ..... D14/223  
 D924,851 S \* 7/2021 Li ..... D14/223  
 D925,500 S \* 7/2021 Chen ..... D14/223  
 D929,969 S \* 9/2021 Ding ..... D3/274  
 D930,361 S \* 9/2021 Jacobs ..... D3/294  
 D930,623 S \* 9/2021 Liu ..... D14/223  
 D933,595 S \* 10/2021 Geng ..... D3/294  
 D933,636 S \* 10/2021 Akana ..... D14/223  
 D934,563 S \* 11/2021 Xiang ..... D3/294  
 D935,772 S \* 11/2021 Chen ..... D3/294  
 D936,358 S \* 11/2021 Lu ..... D3/273  
 D936,637 S \* 11/2021 Lai ..... D14/223  
 D939,829 S \* 1/2022 Goldstein ..... D3/294  
 D946,517 S \* 3/2022 Zhang ..... D14/223  
 D947,532 S \* 4/2022 Silva ..... D3/294  
 D947,777 S \* 4/2022 Christiansen ..... D13/108  
 D948,482 S \* 4/2022 Liu ..... D14/223  
 D948,484 S \* 4/2022 Zhang ..... D14/223  
 D949,786 S \* 4/2022 Hachiri ..... D3/294  
 2012/0237074 A1 \* 9/2012 Aase ..... H04R 1/1058  
 29/858  
 2017/0164087 A1 \* 6/2017 Kurtz ..... H04R 1/1016  
 2020/0266640 A1 \* 8/2020 Valenzuela ..... H02J 7/0044  
 2021/0013917 A1 \* 1/2021 McGaughey ..... H04B 1/3838  
 2021/0058687 A1 \* 2/2021 Liu ..... H04R 1/1025  
 2021/0274275 A1 \* 9/2021 Daniels ..... H04R 1/1091  
 2021/0283287 A1 \* 9/2021 Goodman ..... A61L 2/10

FOREIGN PATENT DOCUMENTS

EM 008449664-0001 \* 3/2021  
 EM 008648224-0001 \* 8/2021  
 EM 008731269-0001 \* 10/2021  
 EM 008799647-0001 \* 12/2021  
 GB 9008157887-0001 \* 9/2020  
 GB 6120690 \* 2/2021  
 GB 6198150 \* 3/2022  
 JP D1701051 \* 11/2021

\* cited by examiner

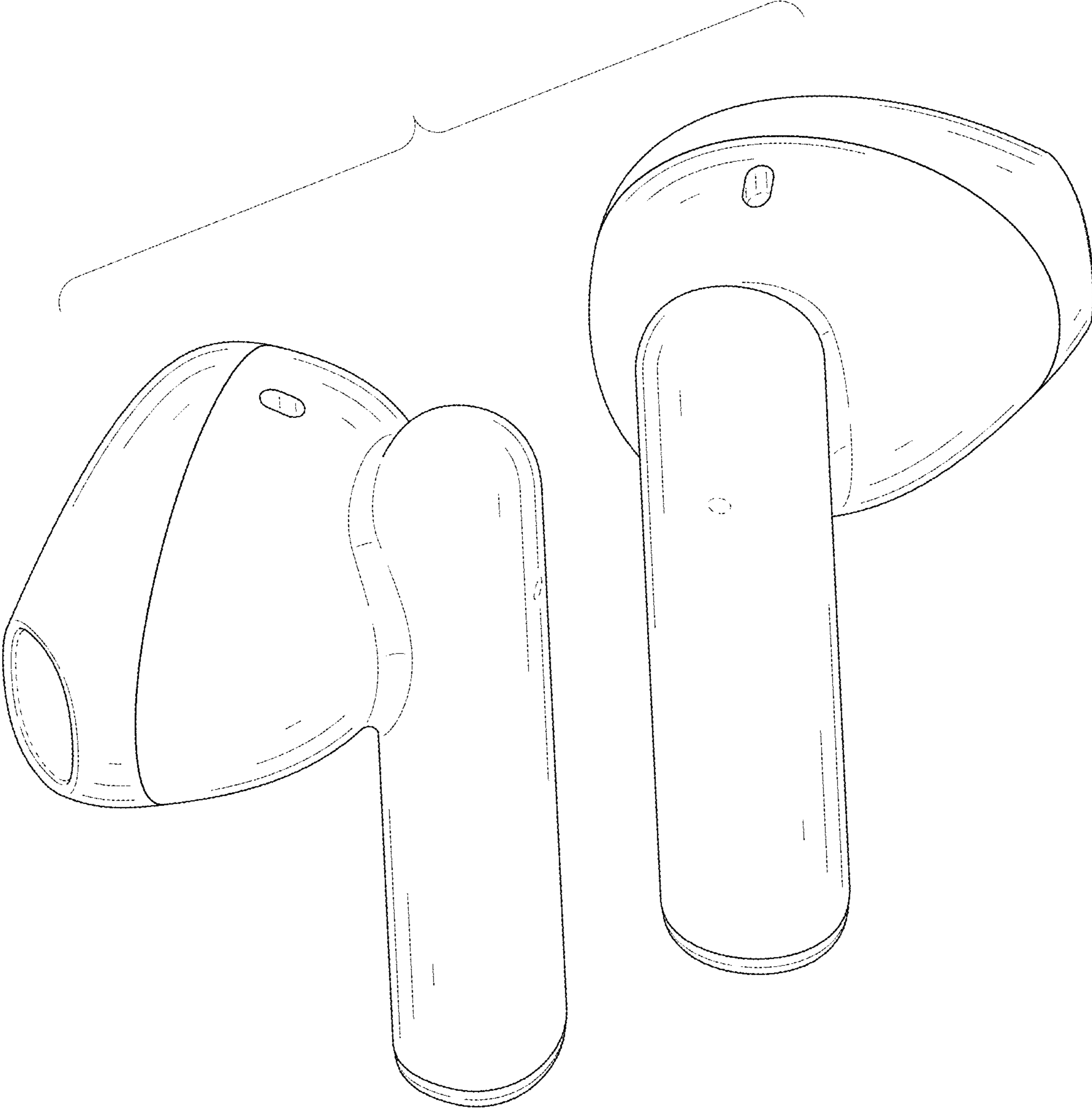


FIG. 1



FIG. 2

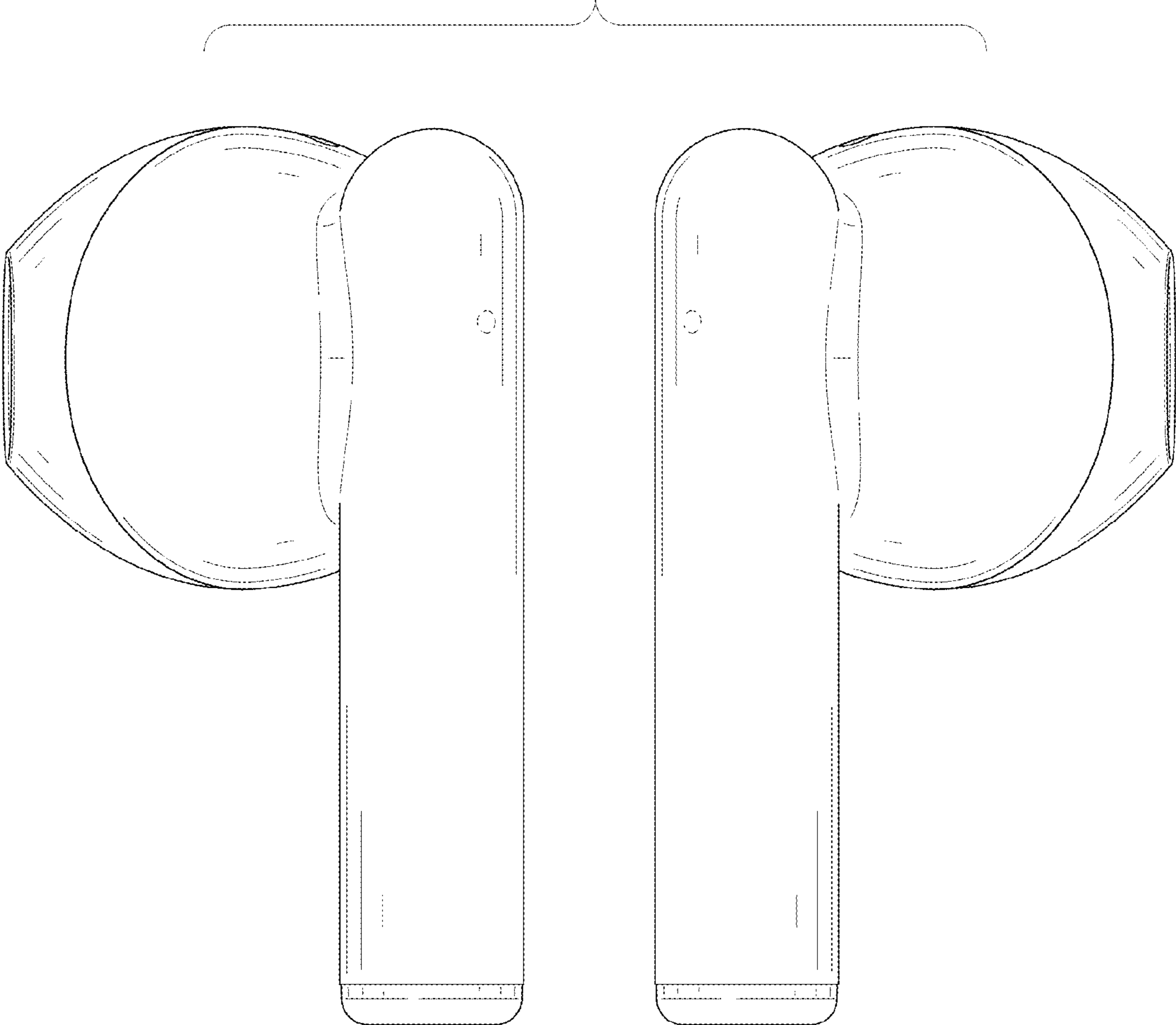


FIG. 3

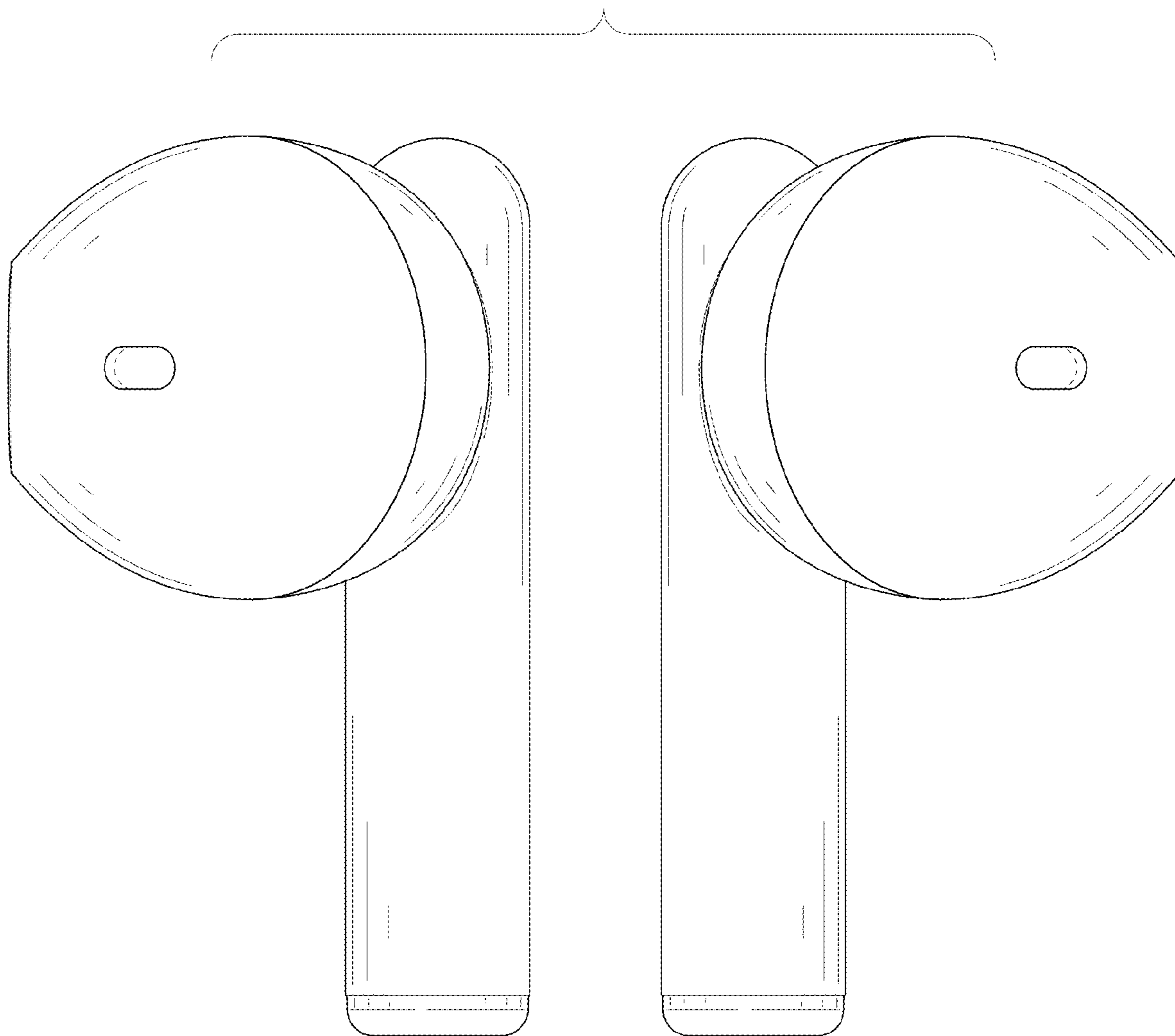


FIG. 4

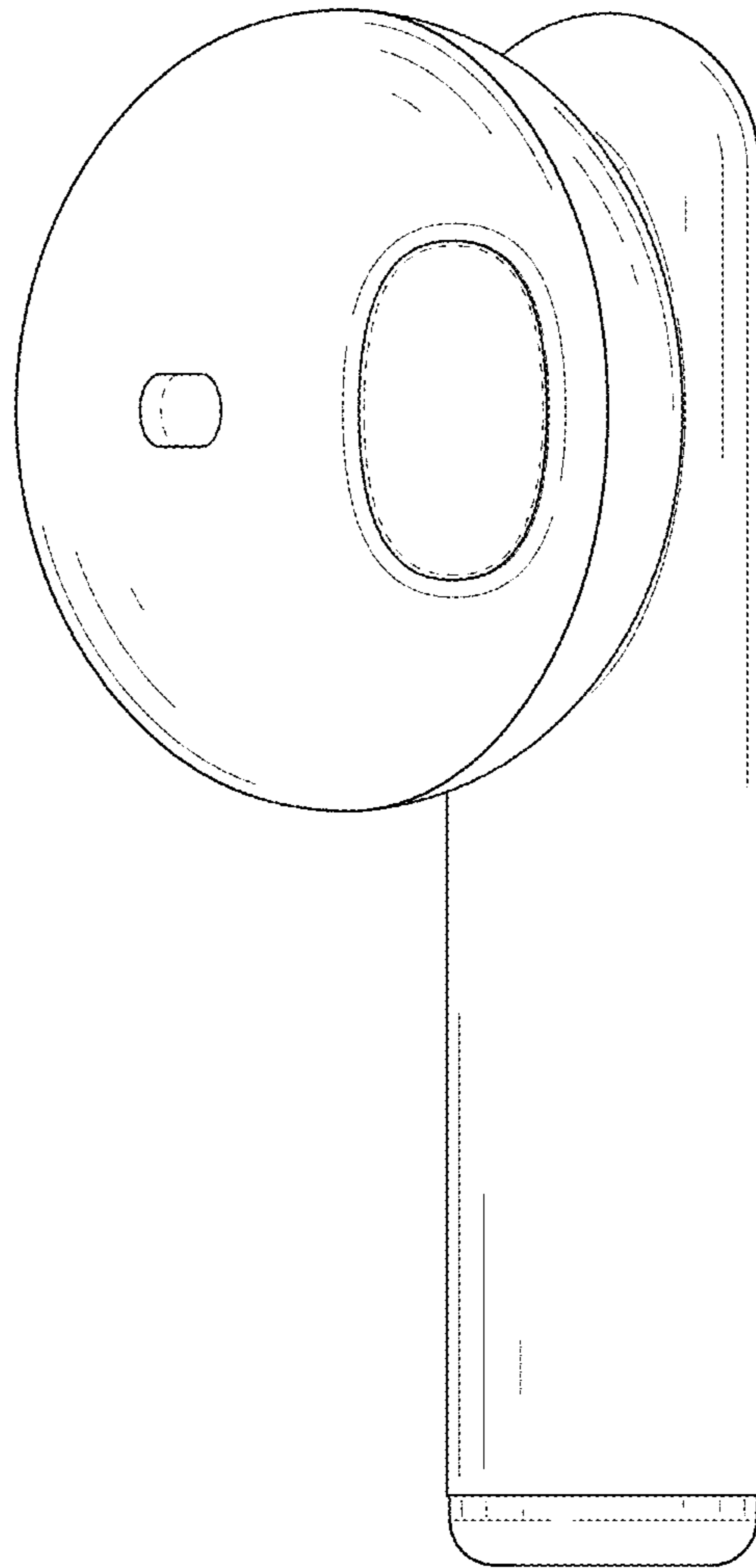


FIG. 5

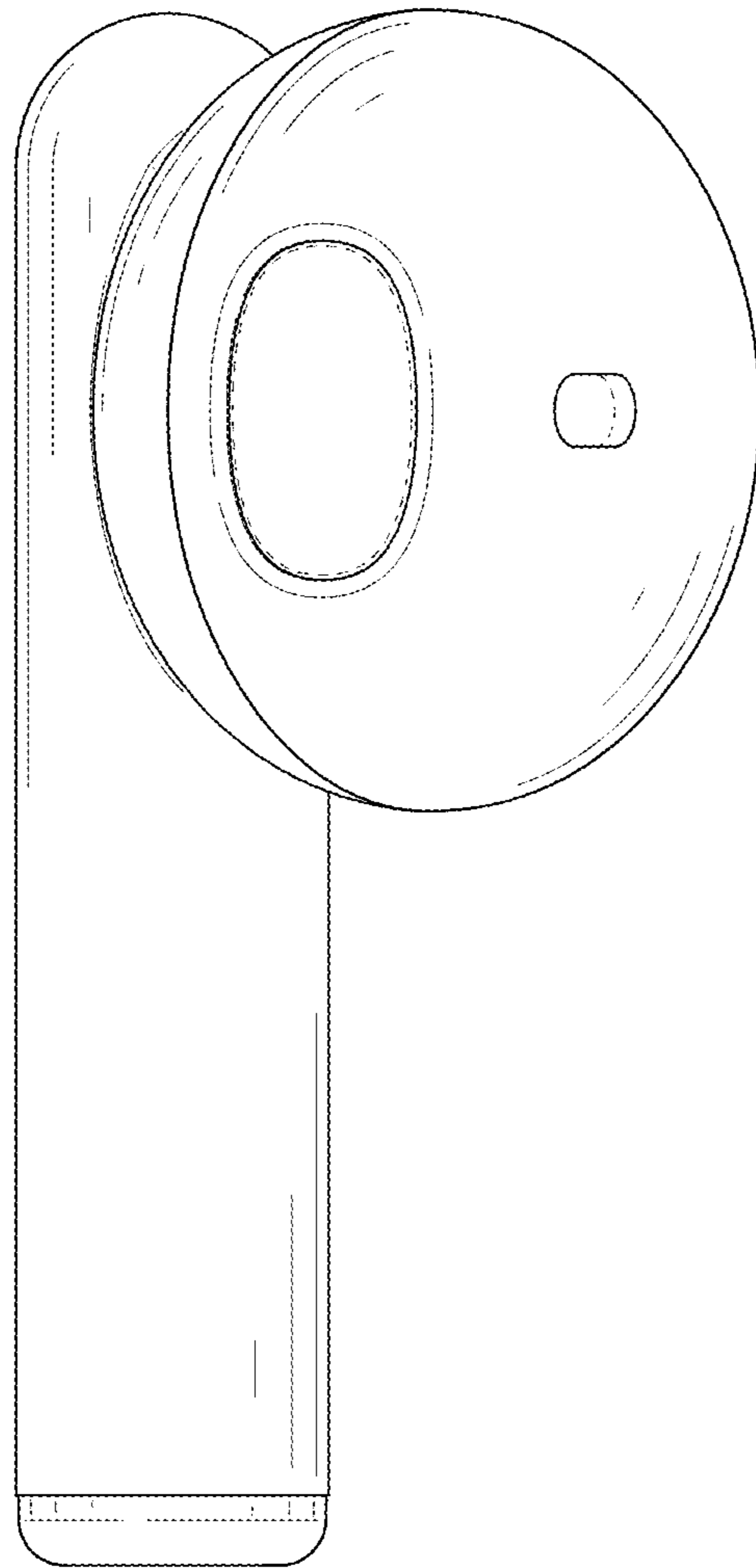


FIG. 6



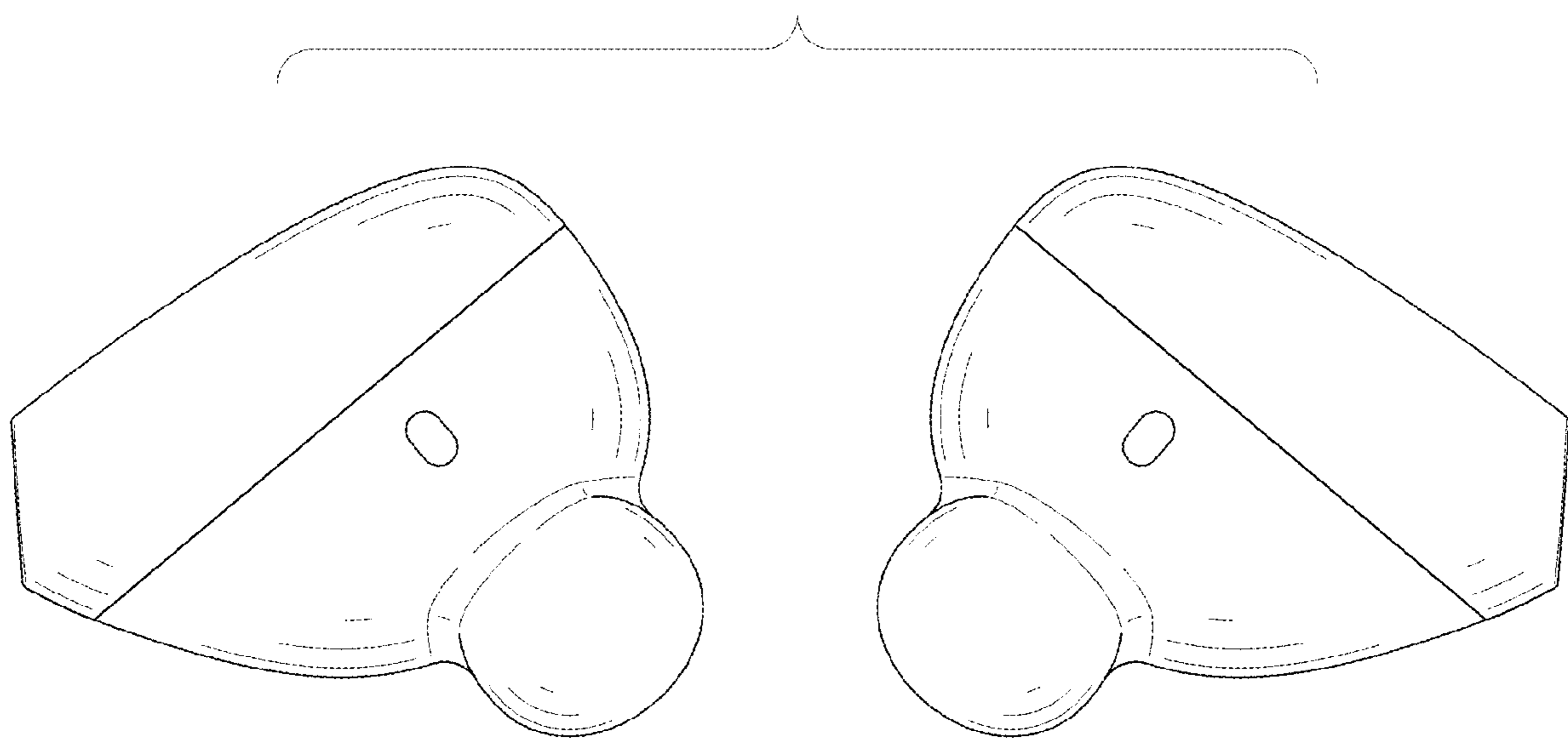


FIG. 7

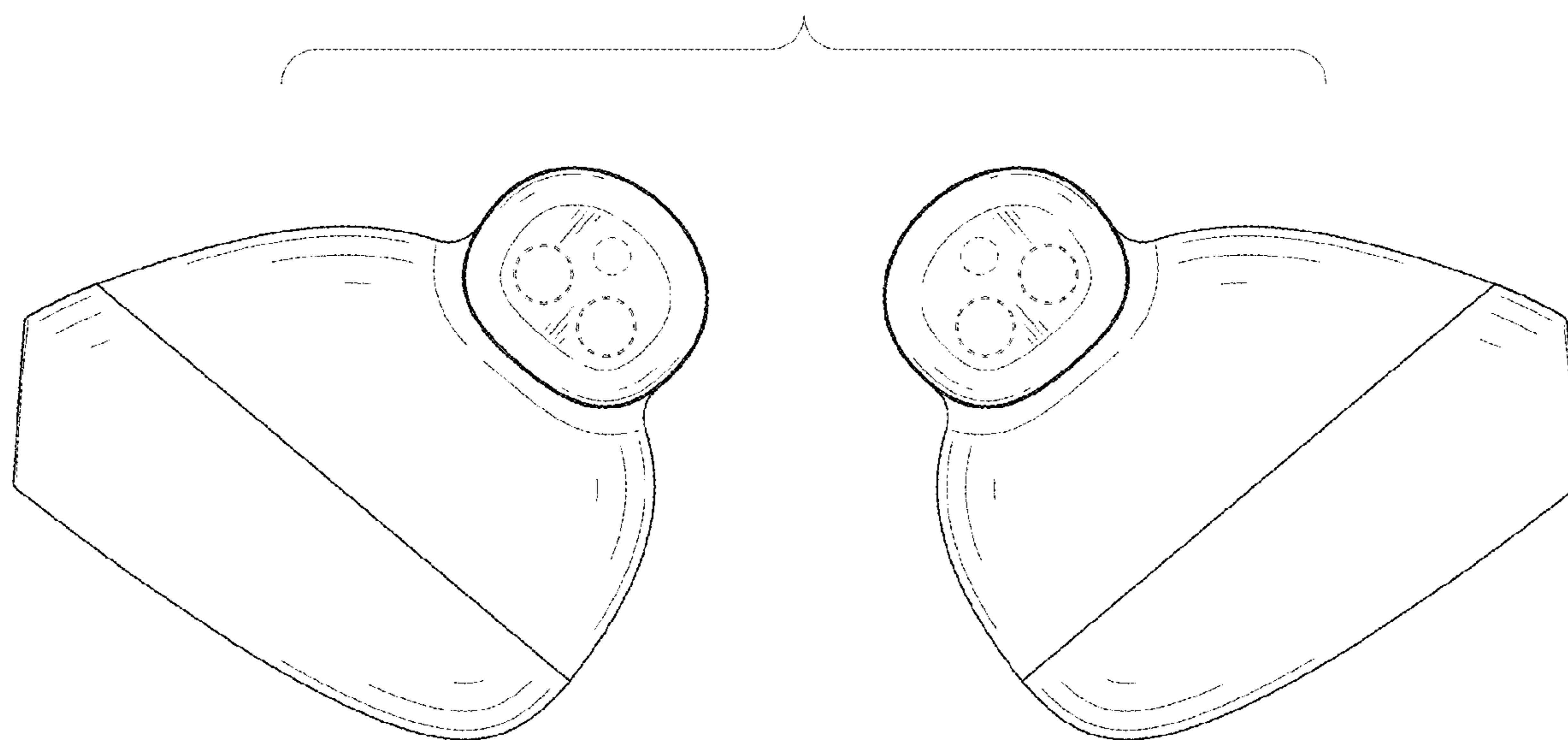


FIG. 8

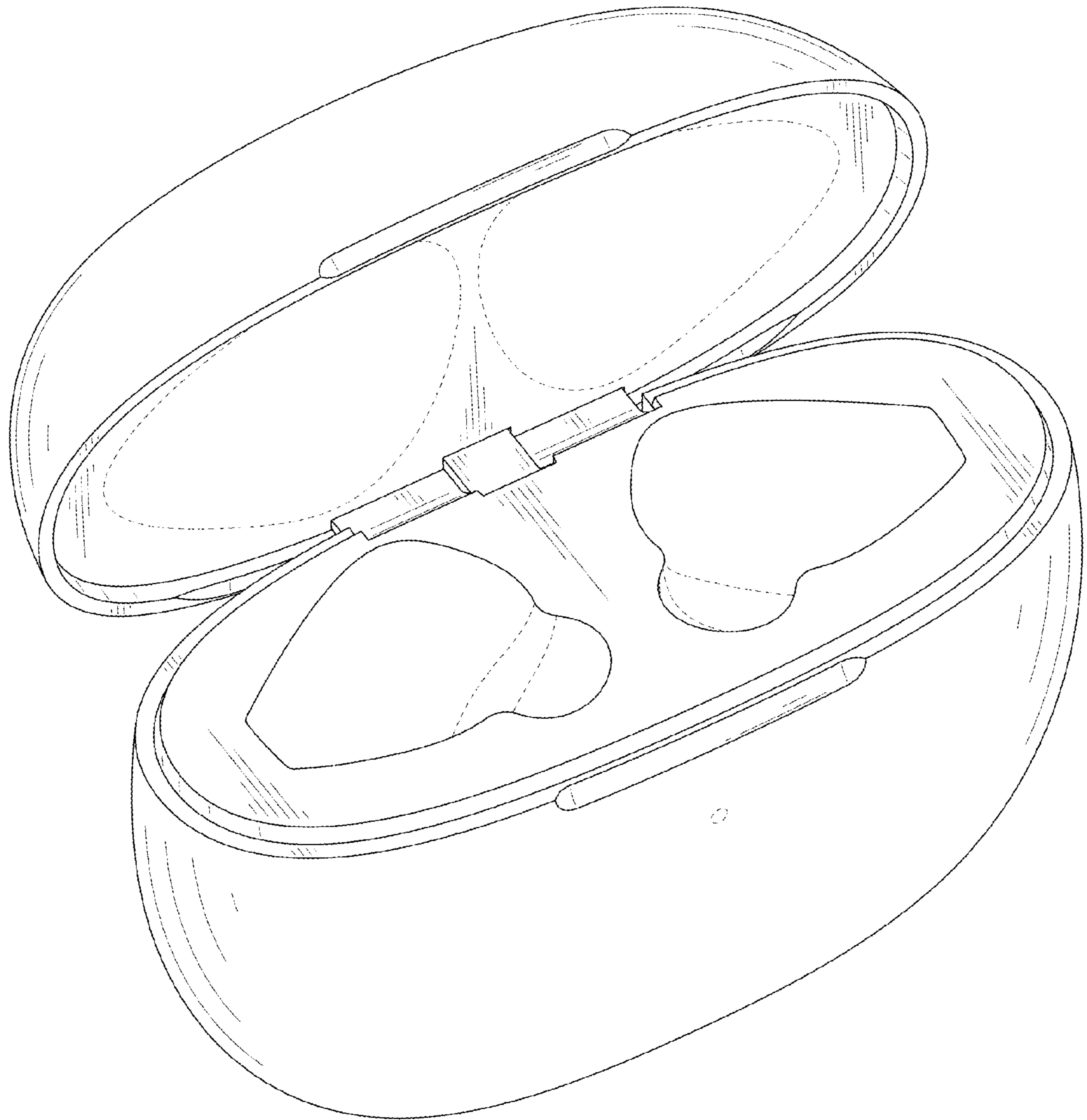


FIG. 9

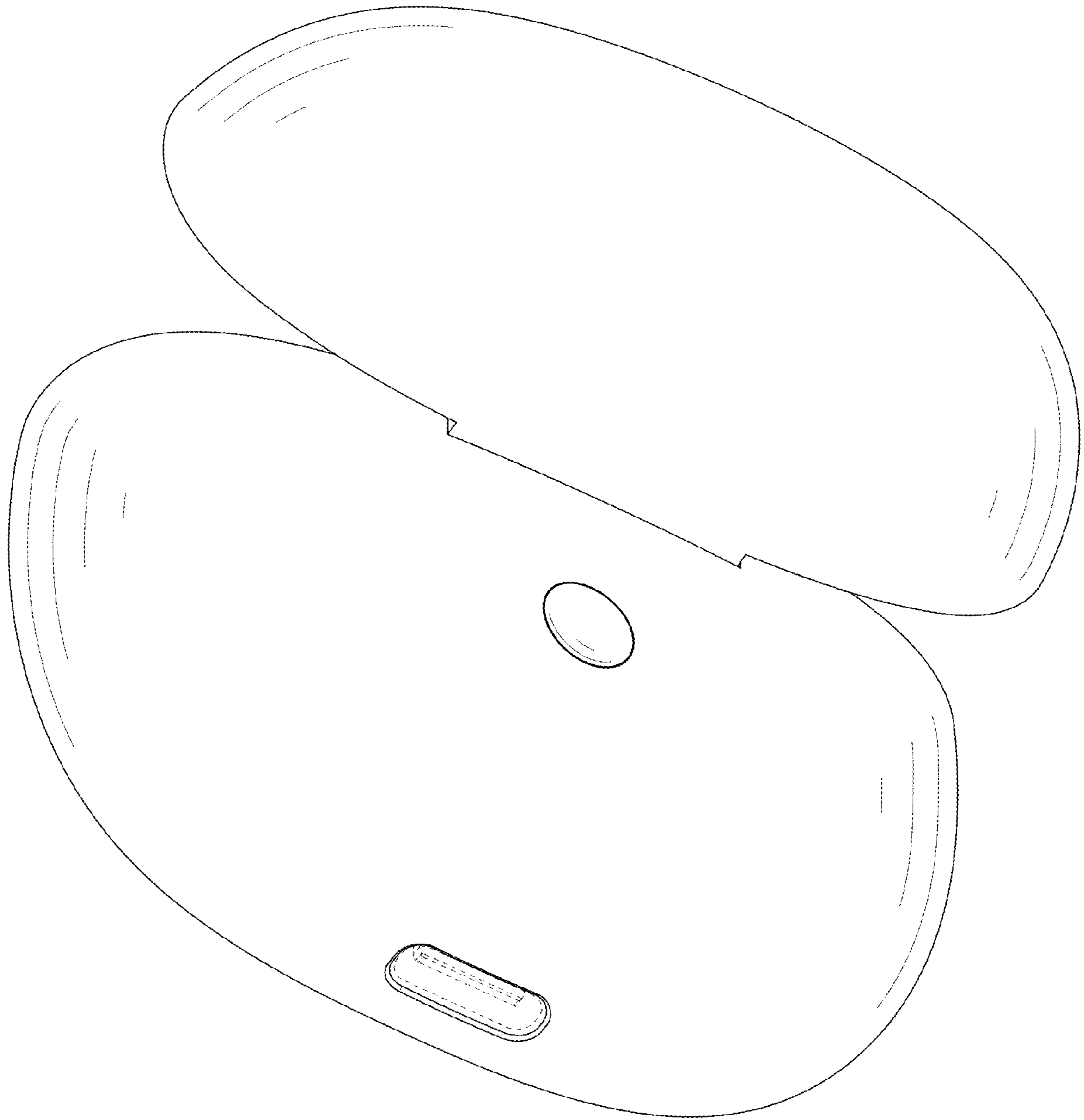


FIG. 10

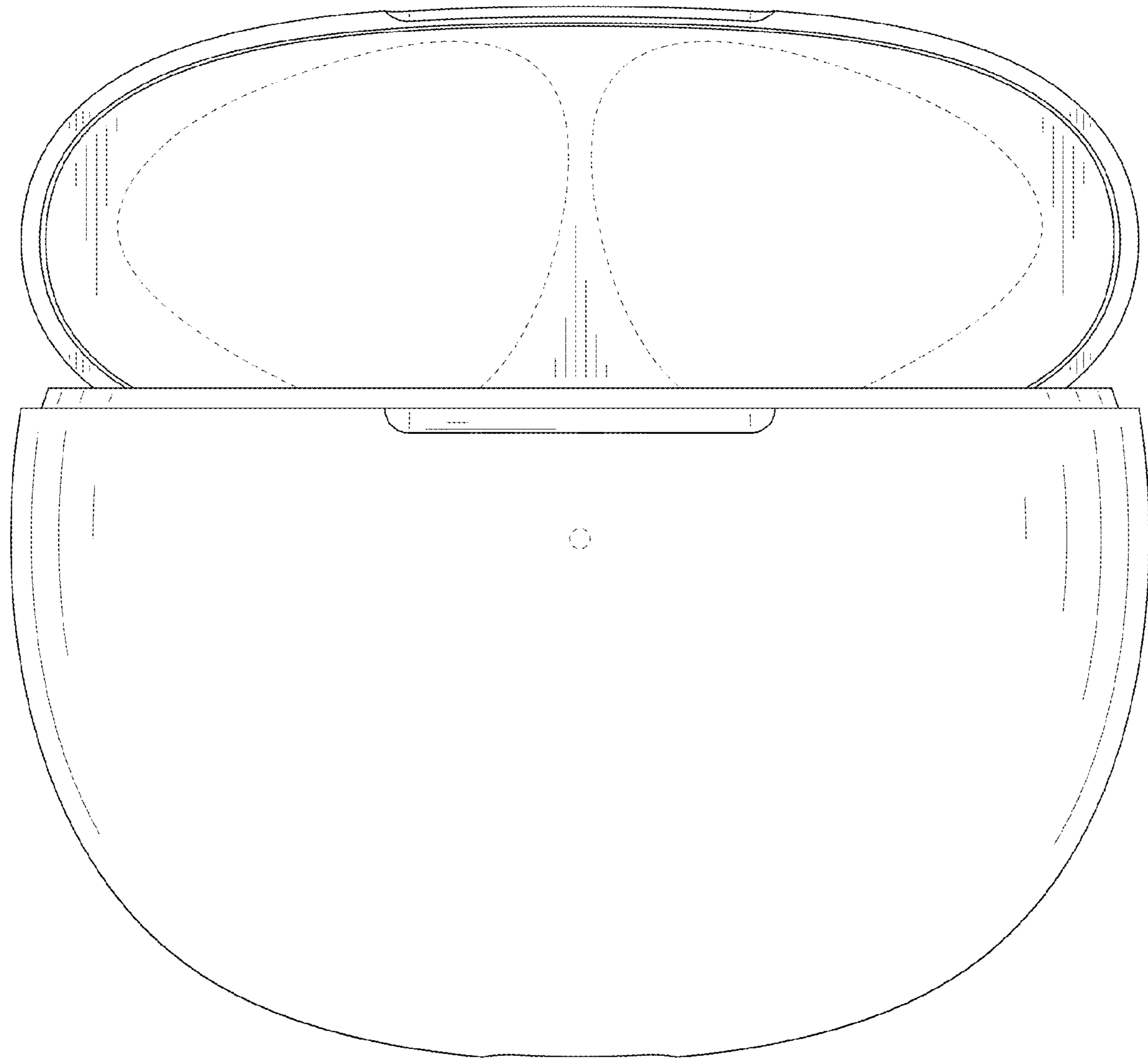


FIG. 11

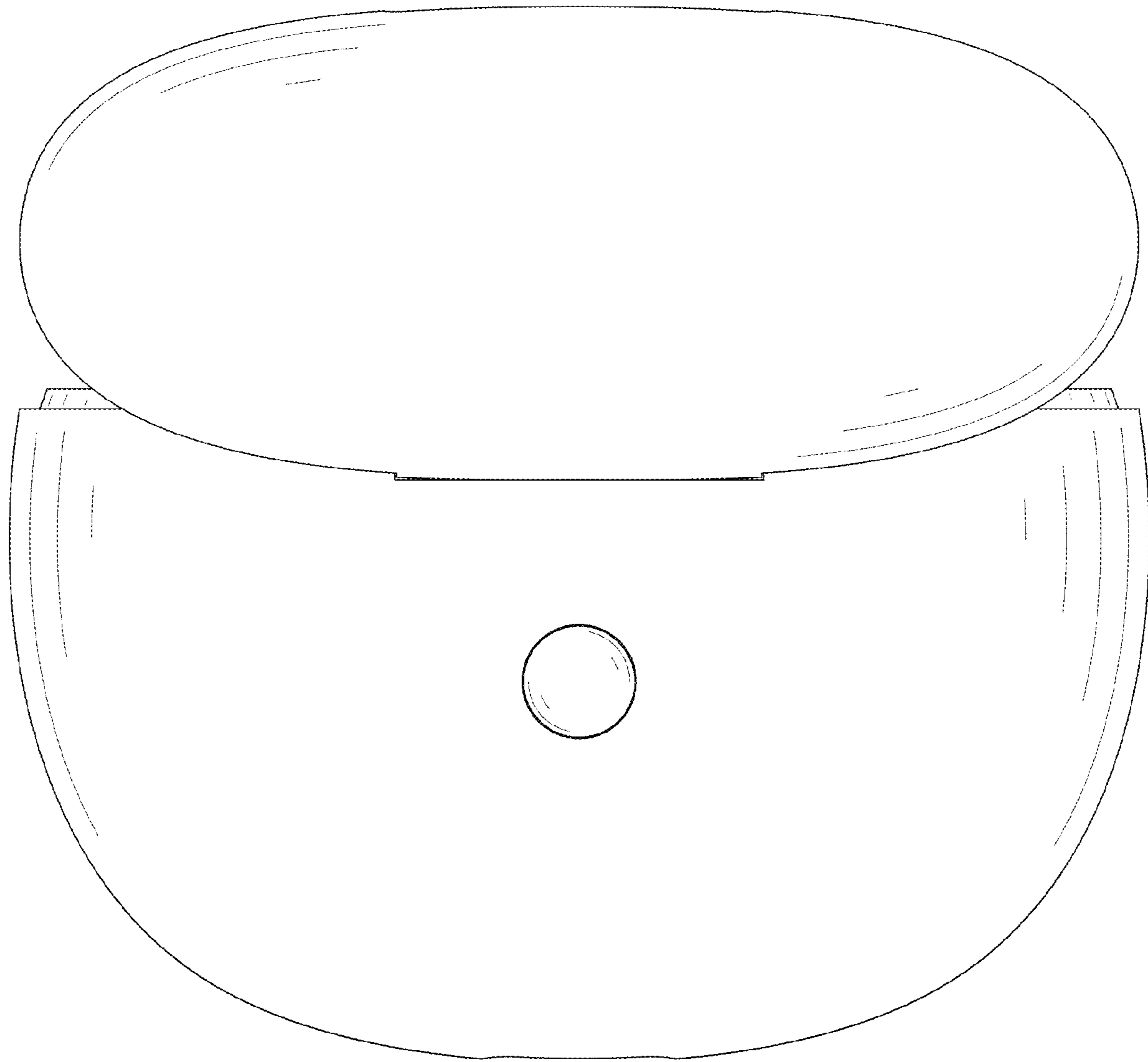


FIG. 12

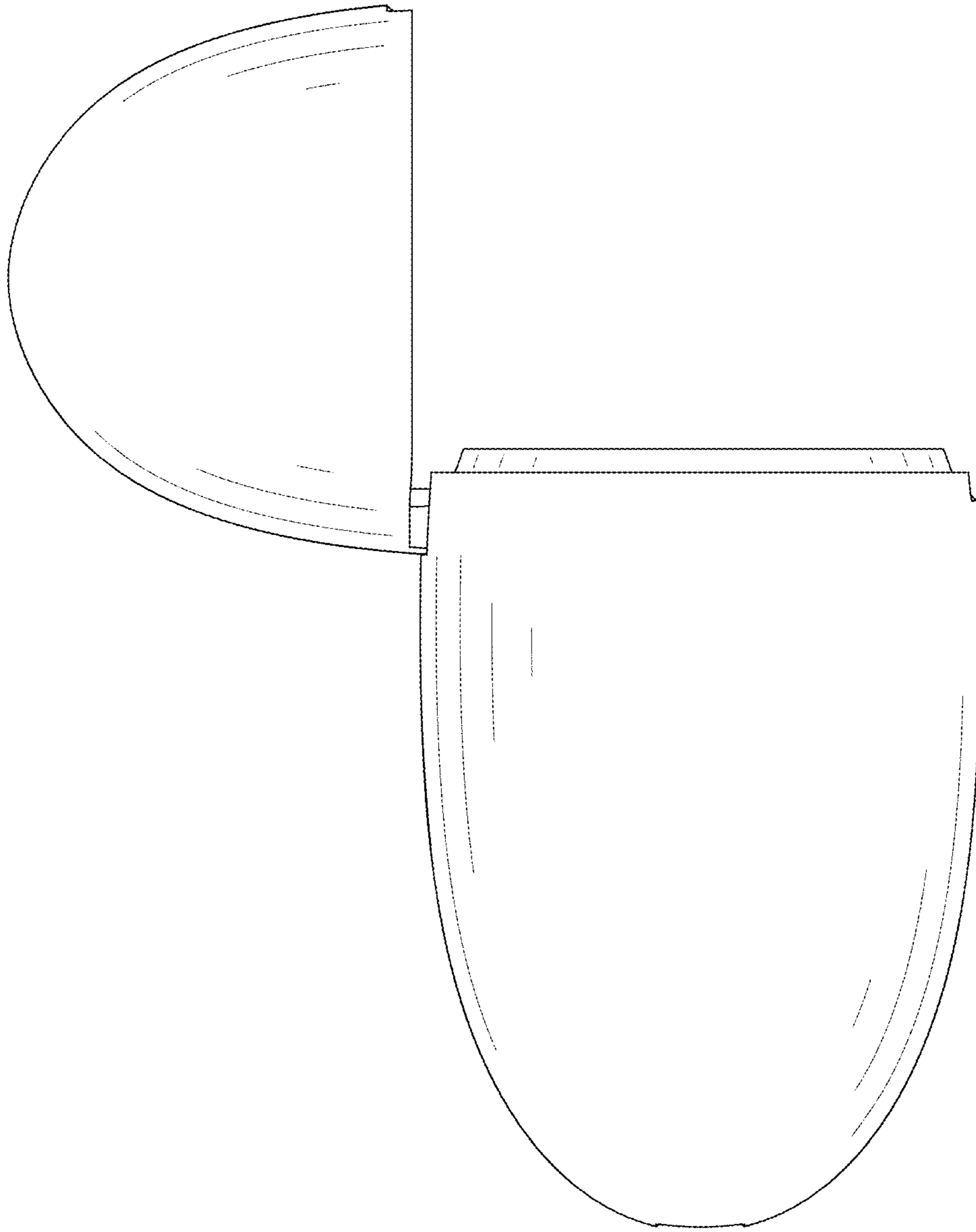


FIG. 13

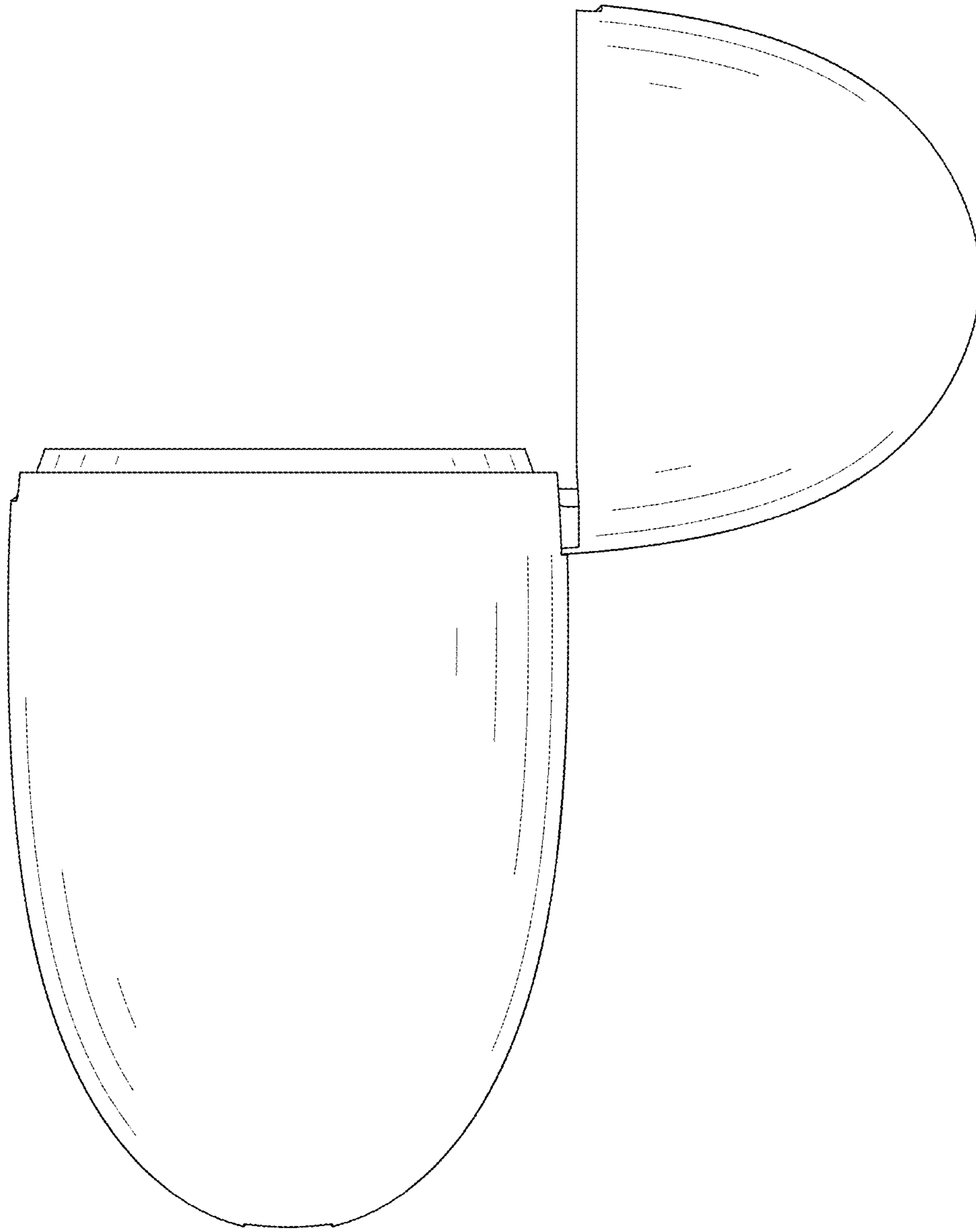


FIG. 14



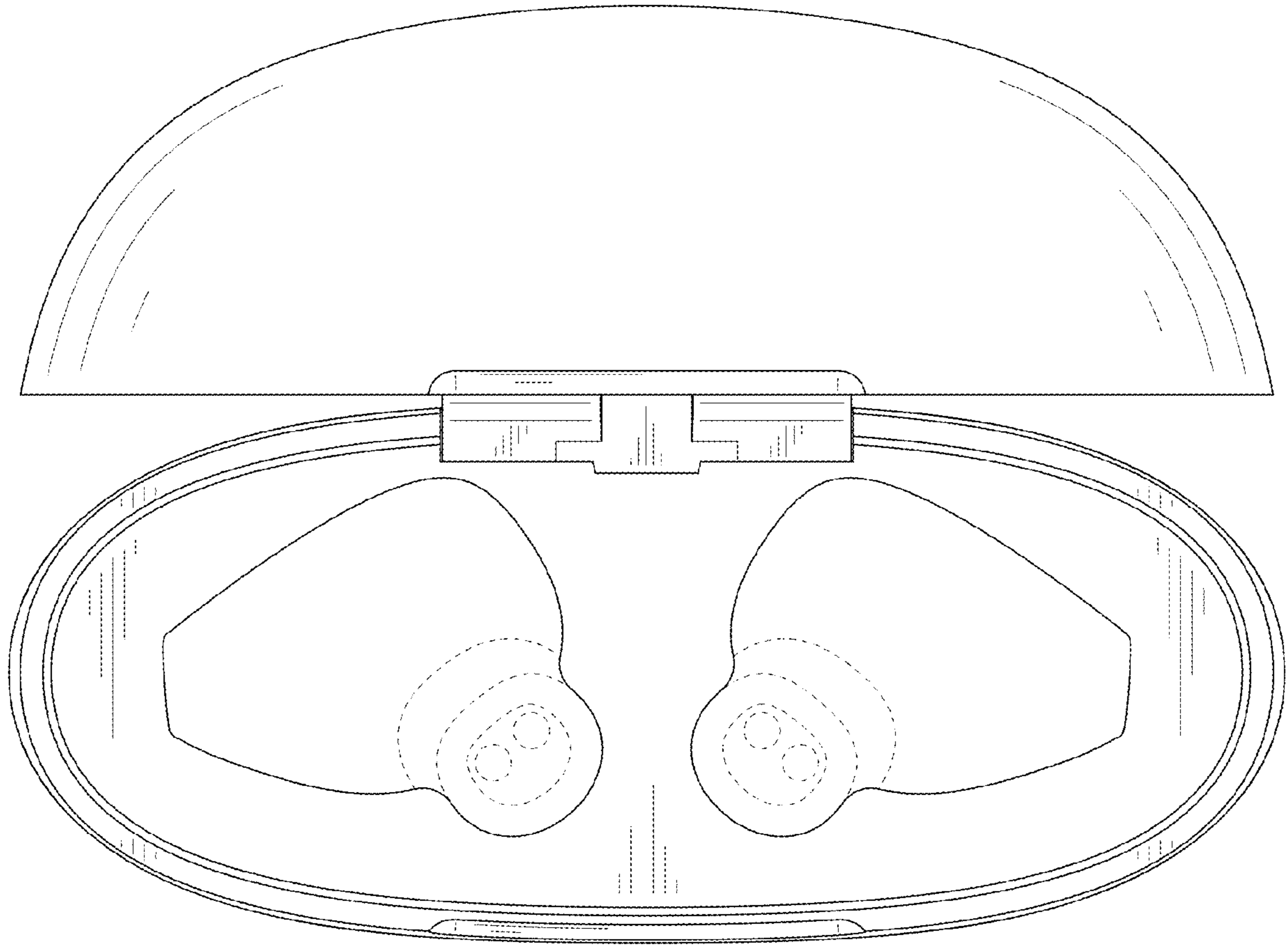


FIG. 15

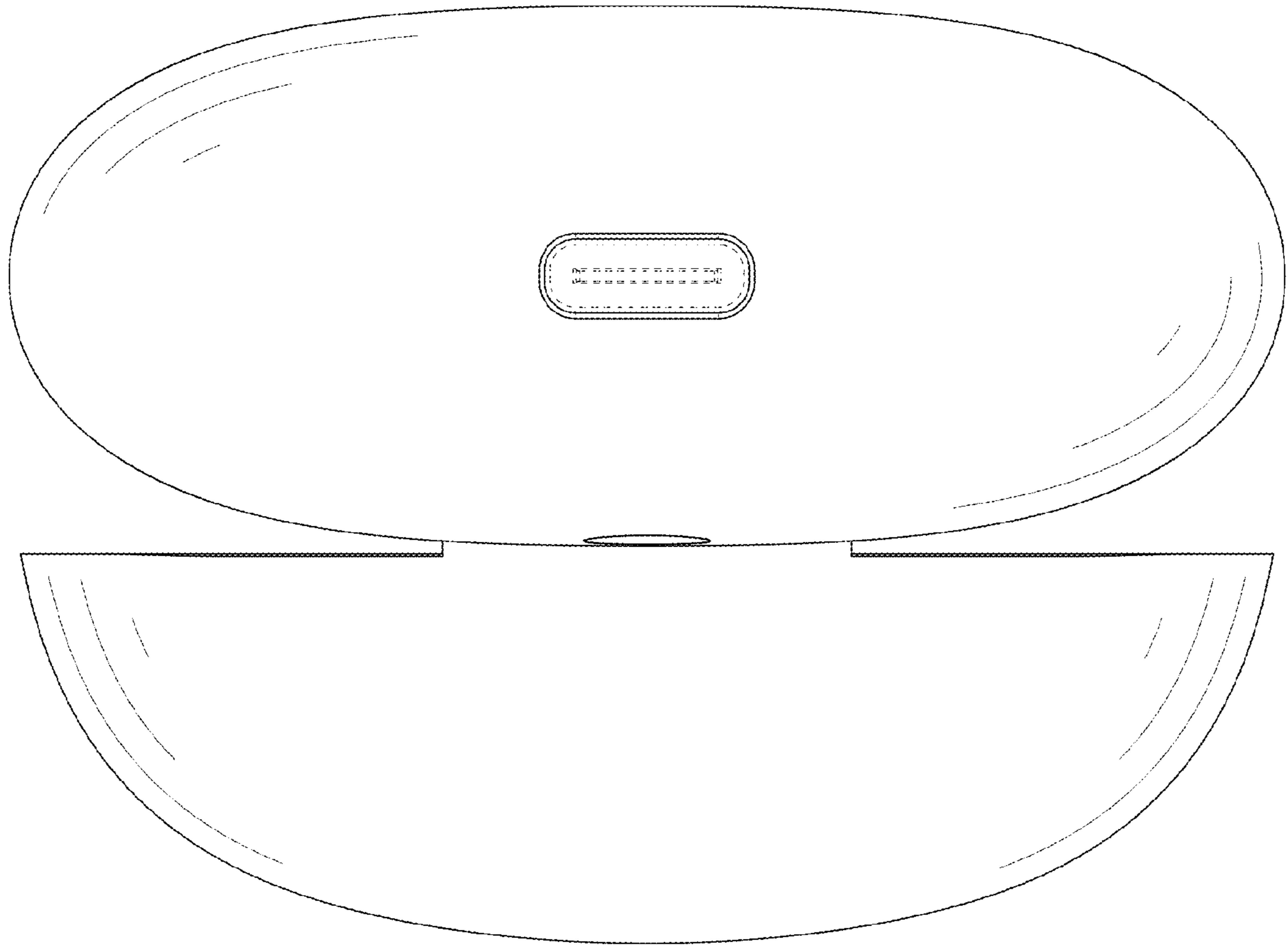


FIG. 16

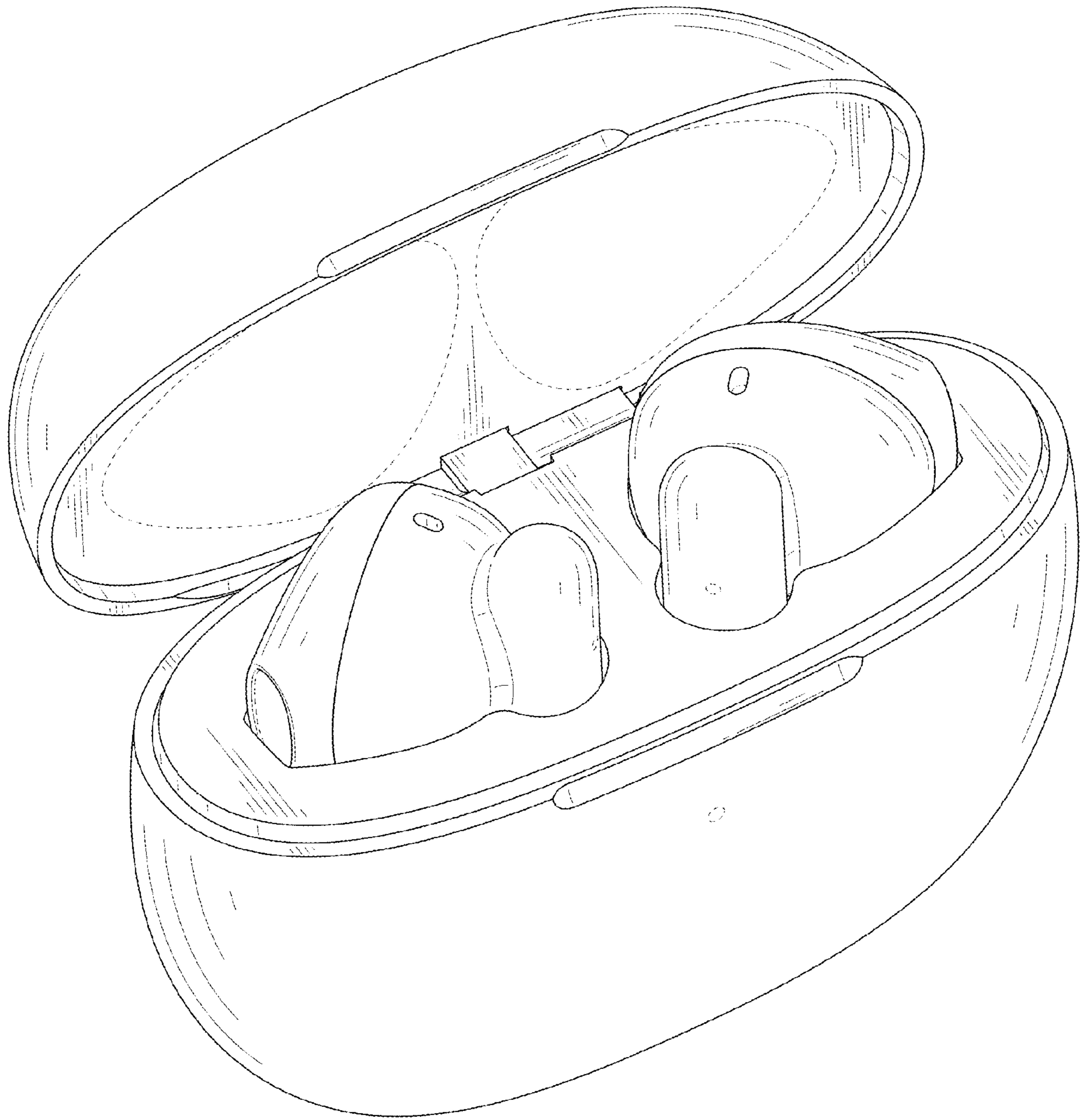


FIG. 17

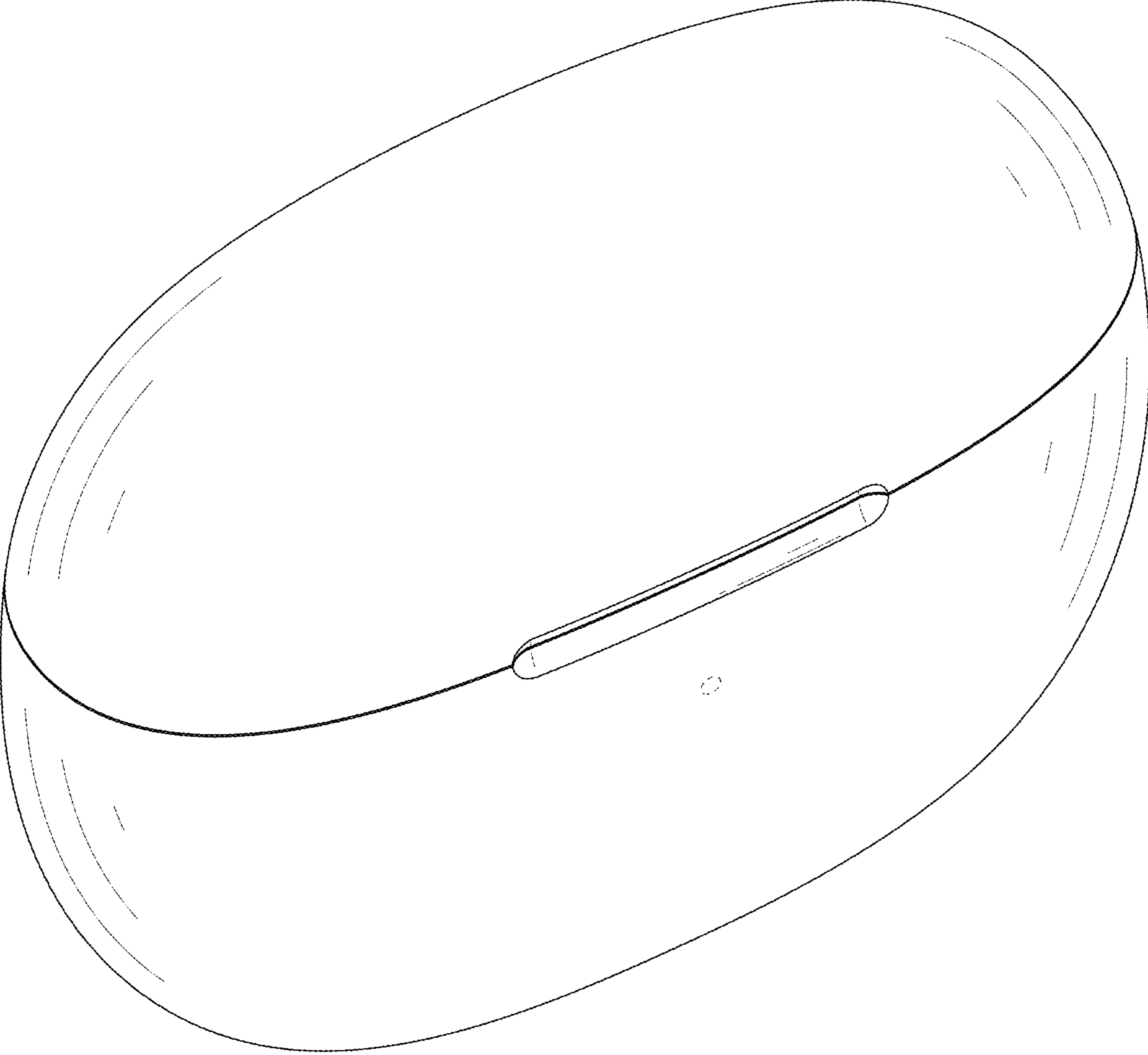


FIG. 18