



US00D956720S

(12) **United States Design Patent**
Huang

(10) **Patent No.:** **US D956,720 S**
(45) **Date of Patent:** **** Jul. 5, 2022**

- (54) **EARPHONE**
- (71) Applicant: **Hongping Huang**, Guangdong (CN)
- (72) Inventor: **Hongping Huang**, Guangdong (CN)
- (73) Assignee: **Shenzhen Zio Communication Technology Co., Ltd.**, Shenzhen (CN)
- (**) Term: **15 Years**
- (21) Appl. No.: **29/753,142**
- (22) Filed: **Sep. 30, 2020**
- (51) **LOC (13) Cl.** **14-01**
- (52) **U.S. Cl.**
USPC **D14/223**
- (58) **Field of Classification Search**
USPC D14/223, 205, 174; 128/864-866;
D13/108; 455/90.3, 575.1, 569.1
CPC H04R 1/10; H04R 25/00; H04R 25/02;
H04R 1/1066; H04R 1/1016; H04R
5/033; H04R 5/0335; H04R 1/1083;
H04R 1/1091; H02J 7/02
See application file for complete search history.

D803,184 S *	11/2017	Loh Jun Kern	D14/223
D820,809 S *	6/2018	Akana	D14/219
D821,362 S *	6/2018	Vaclavik	D14/223
D822,009 S *	7/2018	Matoba	D14/223
D830,336 S *	10/2018	Cai	D14/205
D832,824 S *	11/2018	Kim	D14/223
D847,125 S *	4/2019	Akana	D14/206
D847,794 S *	5/2019	Guo	D14/223
D848,979 S *	5/2019	Kim	D14/223
D848,982 S *	5/2019	Kim	D14/223
D848,983 S *	5/2019	Kim	D14/223
D861,647 S *	10/2019	Chen	D14/223
D864,165 S *	10/2019	Roberts	D14/223
D864,169 S *	10/2019	Min	D14/223
D869,445 S *	12/2019	Hu	D14/223

(Continued)

FOREIGN PATENT DOCUMENTS

CN	306071458	*	9/2020
CN	306839712	*	9/2021

(Continued)

Primary Examiner — Paula Allen Greene

(57) **CLAIM**

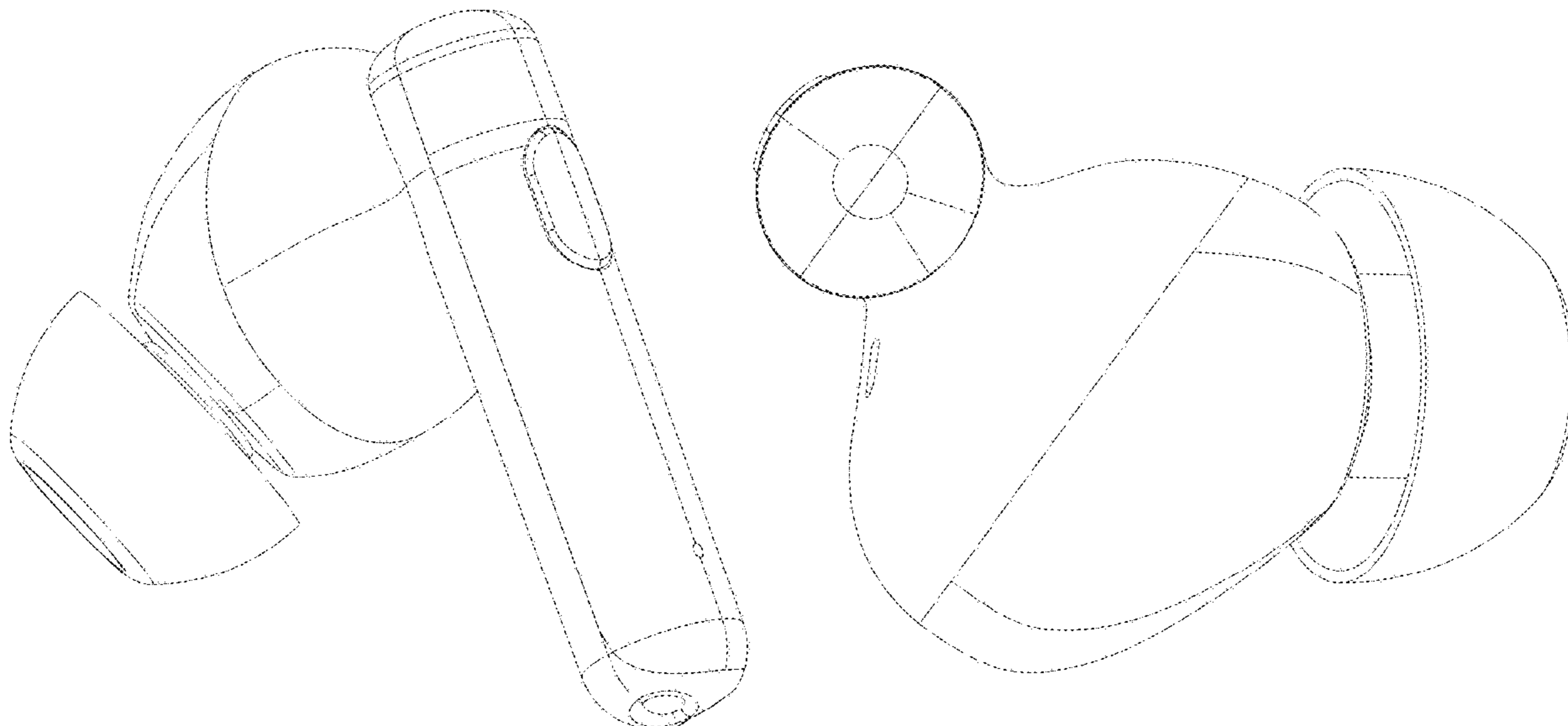
The ornamental design for an earphone, as shown and described.

DESCRIPTION

FIG. 1 is a right perspective view of an earphone showing my new design;
 FIG. 2 is a left perspective view thereof;
 FIG. 3 is a front elevational view thereof;
 FIG. 4 is a rear elevational view thereof;
 FIG. 5 is a left side elevational view thereof;
 FIG. 6 is a right side elevational view thereof;
 FIG. 7 is a top plan view thereof; and,
 FIG. 8 is a bottom plan view thereof.
 The broken lines in the drawings depict portions of the earphone and form no part of the claimed design.

1 Claim, 8 Drawing Sheets

- (56) **References Cited**
- U.S. PATENT DOCUMENTS
- 4,893,344 A * 1/1990 Tragardh H04R 1/1066
381/381
- 6,122,369 A * 9/2000 Hwang H04M 1/6058
379/430
- 8,111,861 B2 * 2/2012 Lowry H04R 1/1016
381/328
- 8,391,536 B2 * 3/2013 Hashimoto H04R 1/1016
381/370
- 8,712,087 B2 * 4/2014 Ozawa H04R 1/345
381/328
- D801,312 S * 10/2017 Birger H04R 1/1025
D14/223
- D801,314 S * 10/2017 Akana D14/223



(56)

References Cited

U.S. PATENT DOCUMENTS

D878,337 S * 3/2020 Yang D14/223
 D888,690 S * 6/2020 Yan D14/223
 D888,691 S * 6/2020 Liu D14/223
 D889,436 S * 7/2020 Zhang D14/206
 D889,440 S * 7/2020 Yan D14/223
 D890,138 S * 7/2020 Peng D14/223
 D893,462 S * 8/2020 Liu D14/223
 D894,875 S * 9/2020 Zhao D14/223
 D895,579 S * 9/2020 Yang D14/223
 D895,582 S * 9/2020 Wu D14/223
 D896,206 S * 9/2020 Xu D14/223
 D897,988 S * 10/2020 Chen D14/206
 D897,997 S * 10/2020 Zhang D14/223
 D902,181 S * 11/2020 Maeda D14/223
 D903,639 S * 12/2020 Yang D14/223
 D904,351 S * 12/2020 Zhang D14/223
 D905,018 S * 12/2020 Zhu D14/223
 D907,008 S * 1/2021 Yao D14/223
 D907,607 S * 1/2021 Deng D14/223
 D910,600 S * 2/2021 Zhang D14/223
 D912,011 S * 3/2021 Zhao H04R 1/1041
 D915,355 S * 4/2021 Xiang D14/223
 D916,683 S * 4/2021 Yao D14/223
 D918,178 S * 5/2021 Chen D14/223
 D918,179 S * 5/2021 Zhao D14/223

D918,182 S * 5/2021 Chen D14/223
 D920,291 S * 5/2021 Hou D14/223
 D920,293 S * 5/2021 Chen D14/223
 D921,615 S * 6/2021 Wu D14/223
 D925,500 S * 7/2021 Chen D14/223
 D929,379 S * 8/2021 Woo D14/223
 D929,969 S * 9/2021 Ding D3/274
 D931,838 S * 9/2021 Deng D14/223
 D937,246 S * 11/2021 Li D14/223
 D940,690 S * 1/2022 Zhang D14/223
 D942,424 S * 2/2022 Ye D14/223
 D944,232 S * 2/2022 Yi D14/223
 2008/0013774 A1 * 1/2008 Hosaka H04R 1/2842
 381/380
 2016/0014498 A1 * 1/2016 Paschel H04R 1/1016
 381/380
 2018/0167713 A1 * 6/2018 Chou H04R 25/652
 2019/0373354 A1 * 12/2019 Sondergaard H04R 1/1016
 2020/0382856 A1 * 12/2020 Liu H04R 1/1091
 2021/0266653 A1 * 8/2021 Cao H04R 1/1075

FOREIGN PATENT DOCUMENTS

CN 306892861 * 10/2021
 CN 307107579 * 2/2022
 CN 307118796 * 2/2022
 IN 355021-001-0001 * 12/2021

* cited by examiner

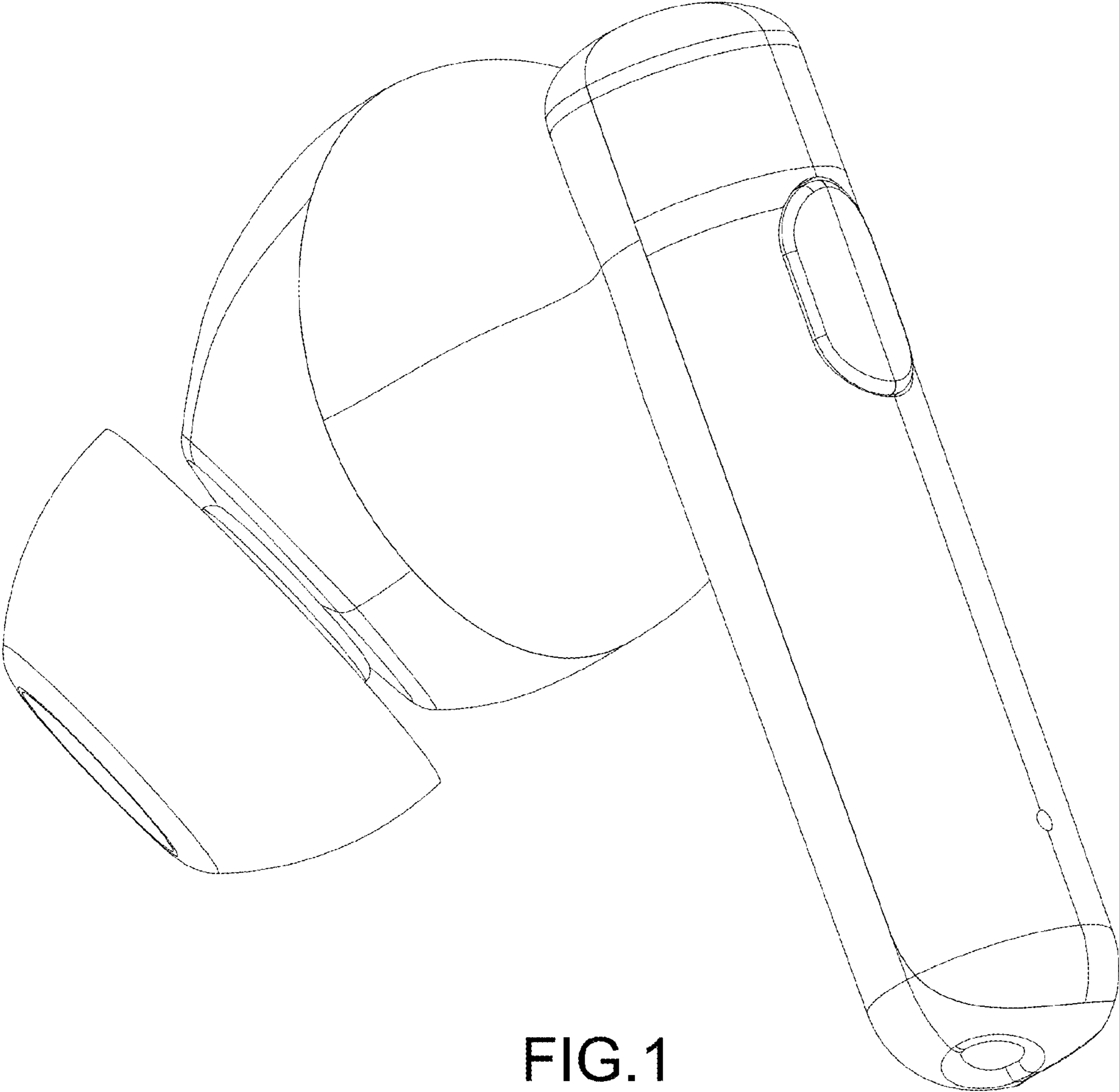


FIG. 1

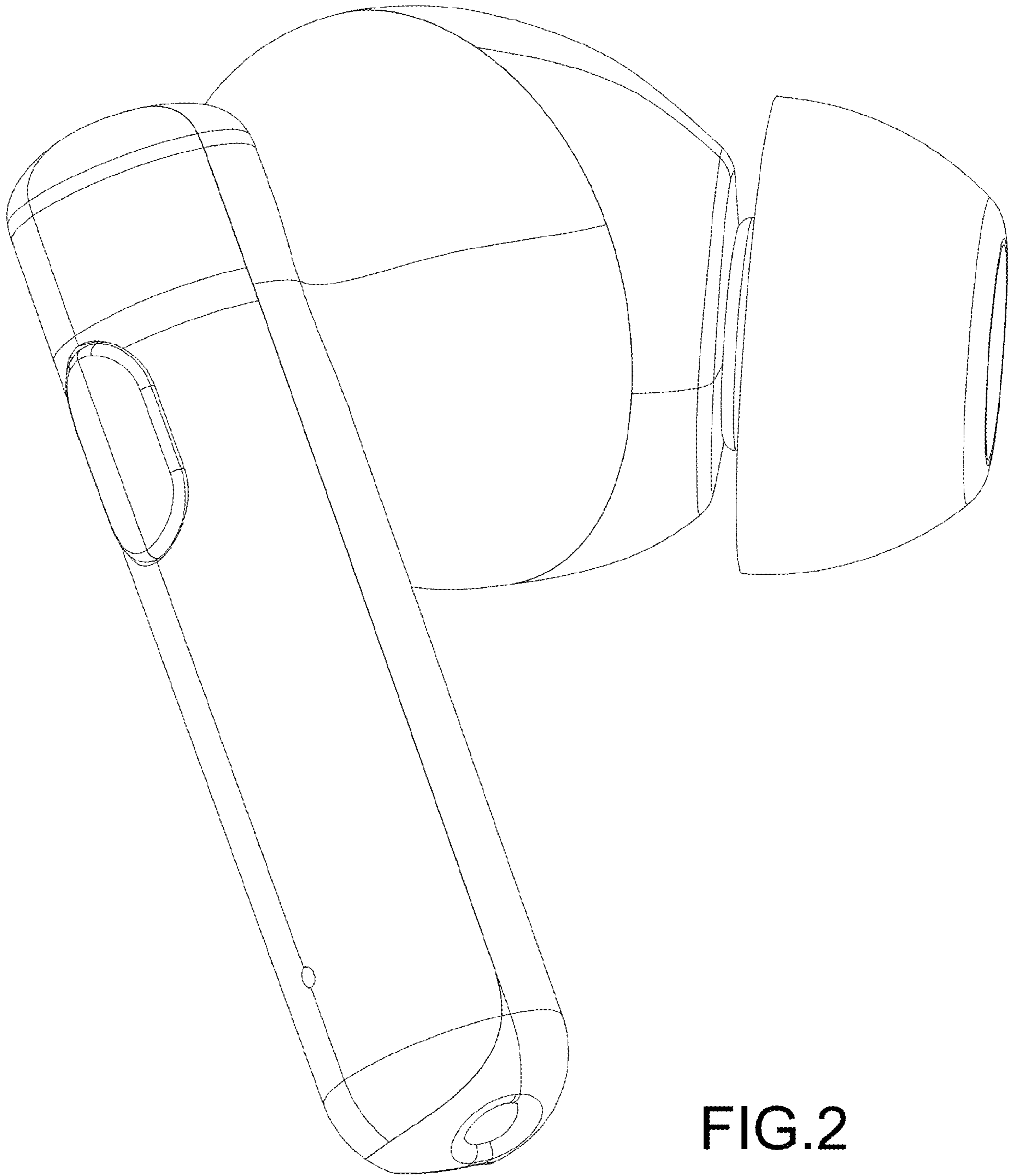


FIG.2

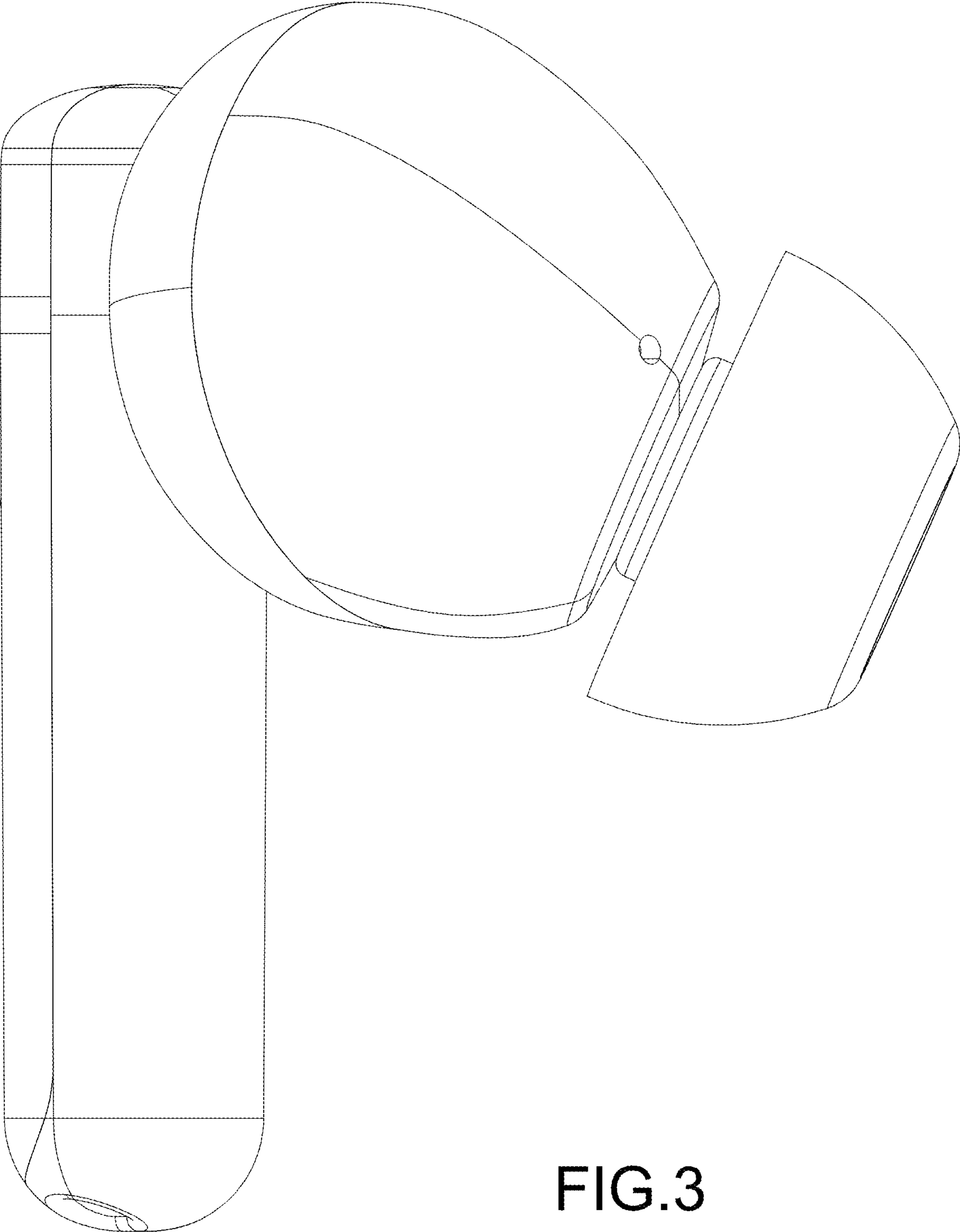


FIG. 3

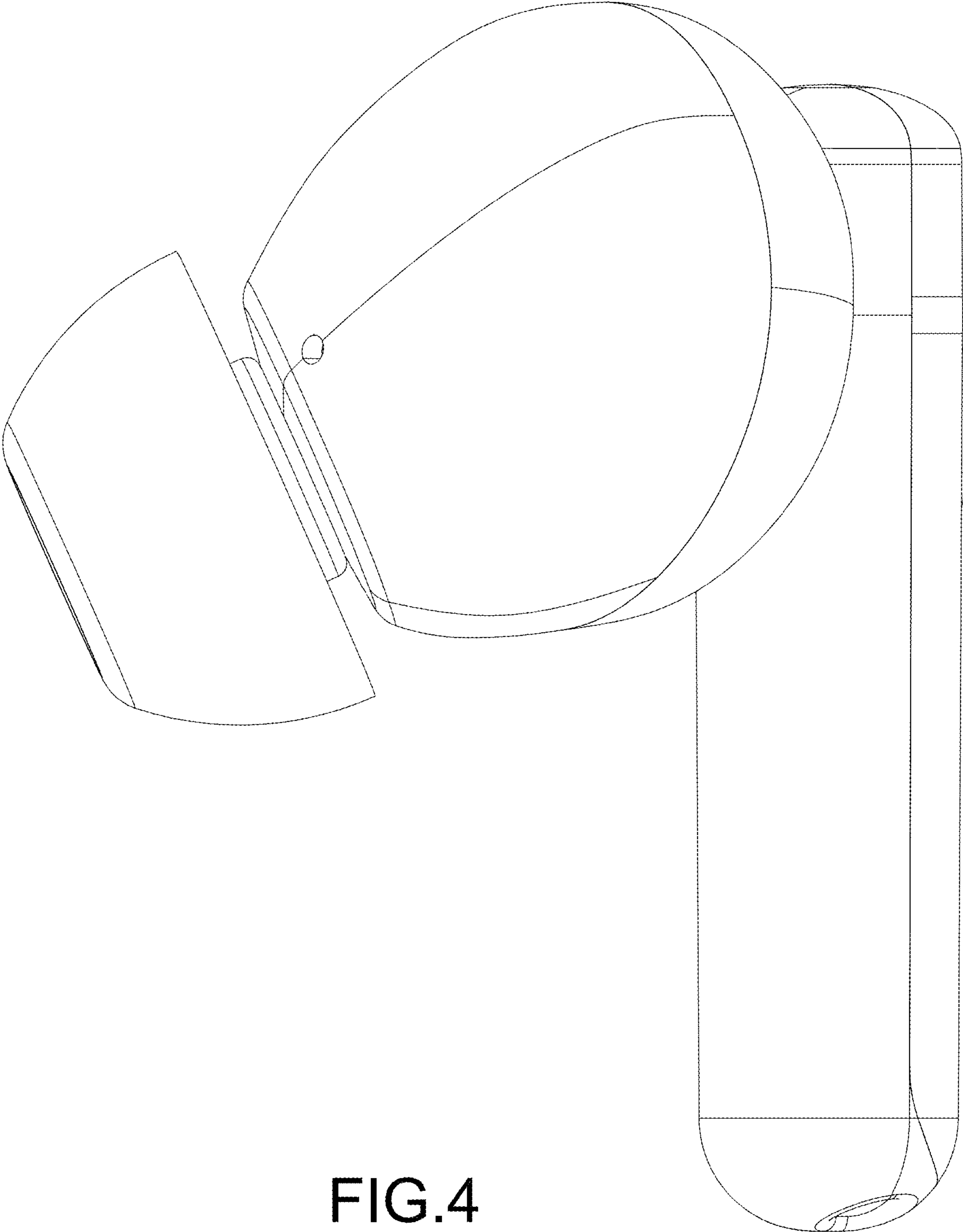


FIG.4

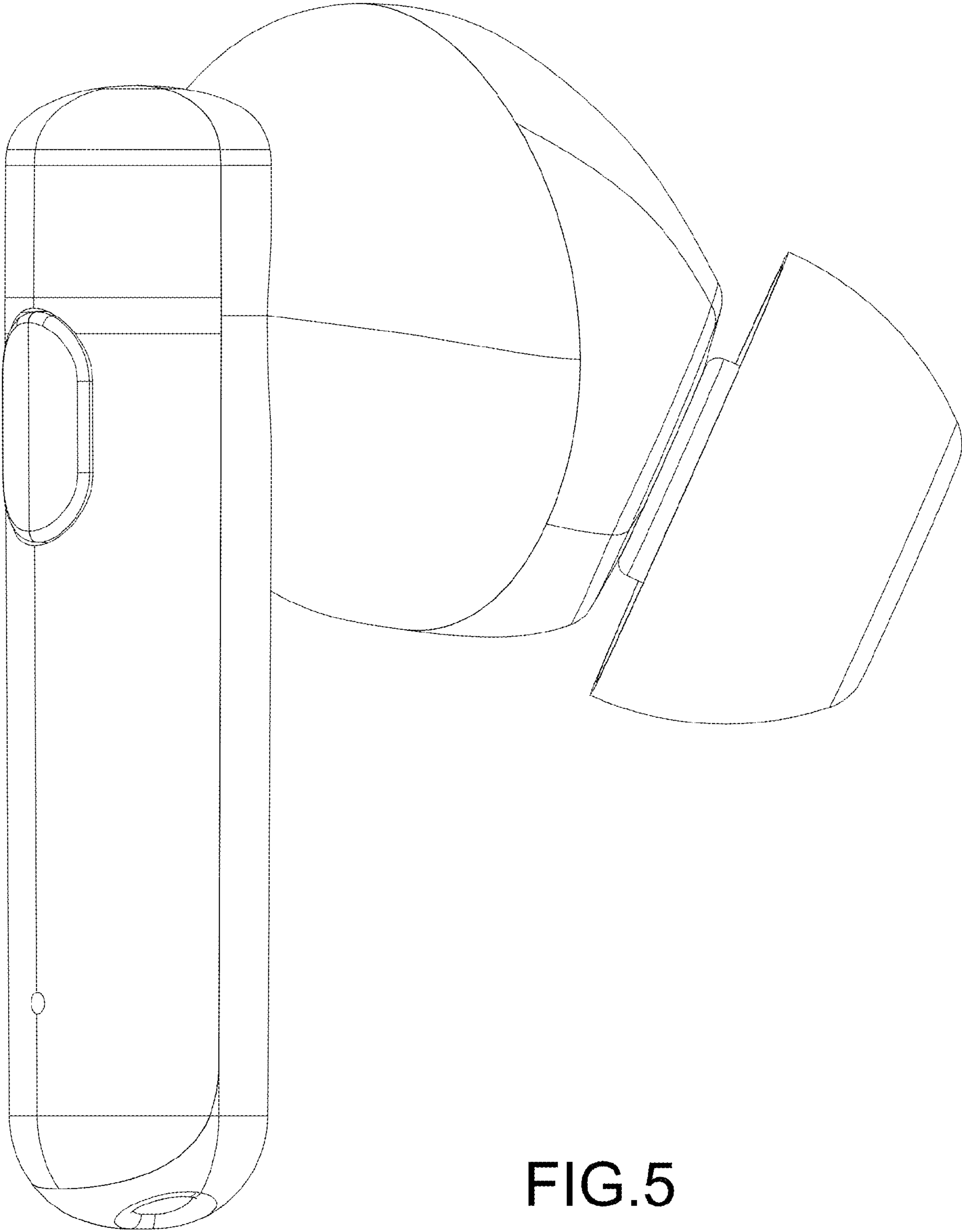


FIG.5

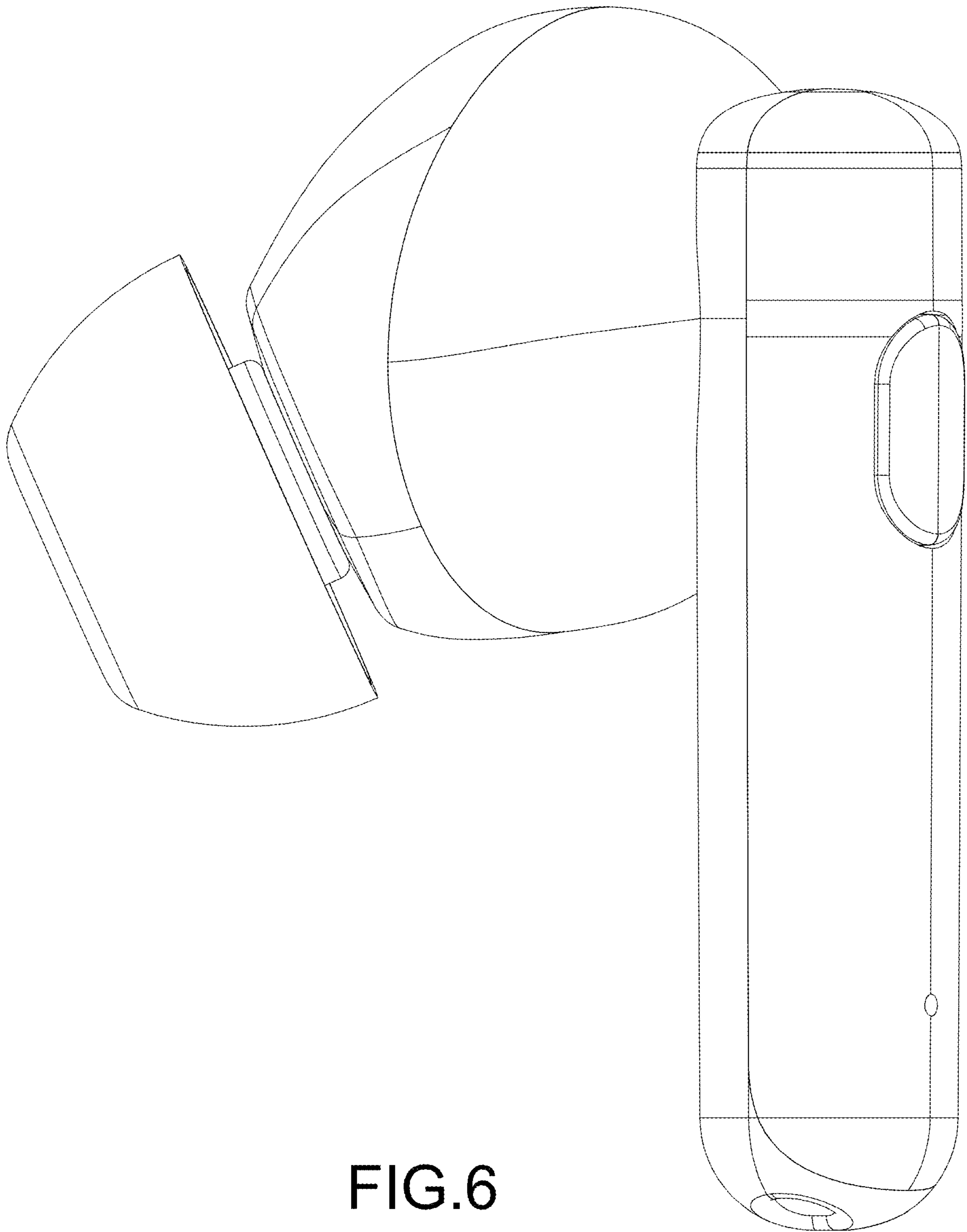


FIG.6

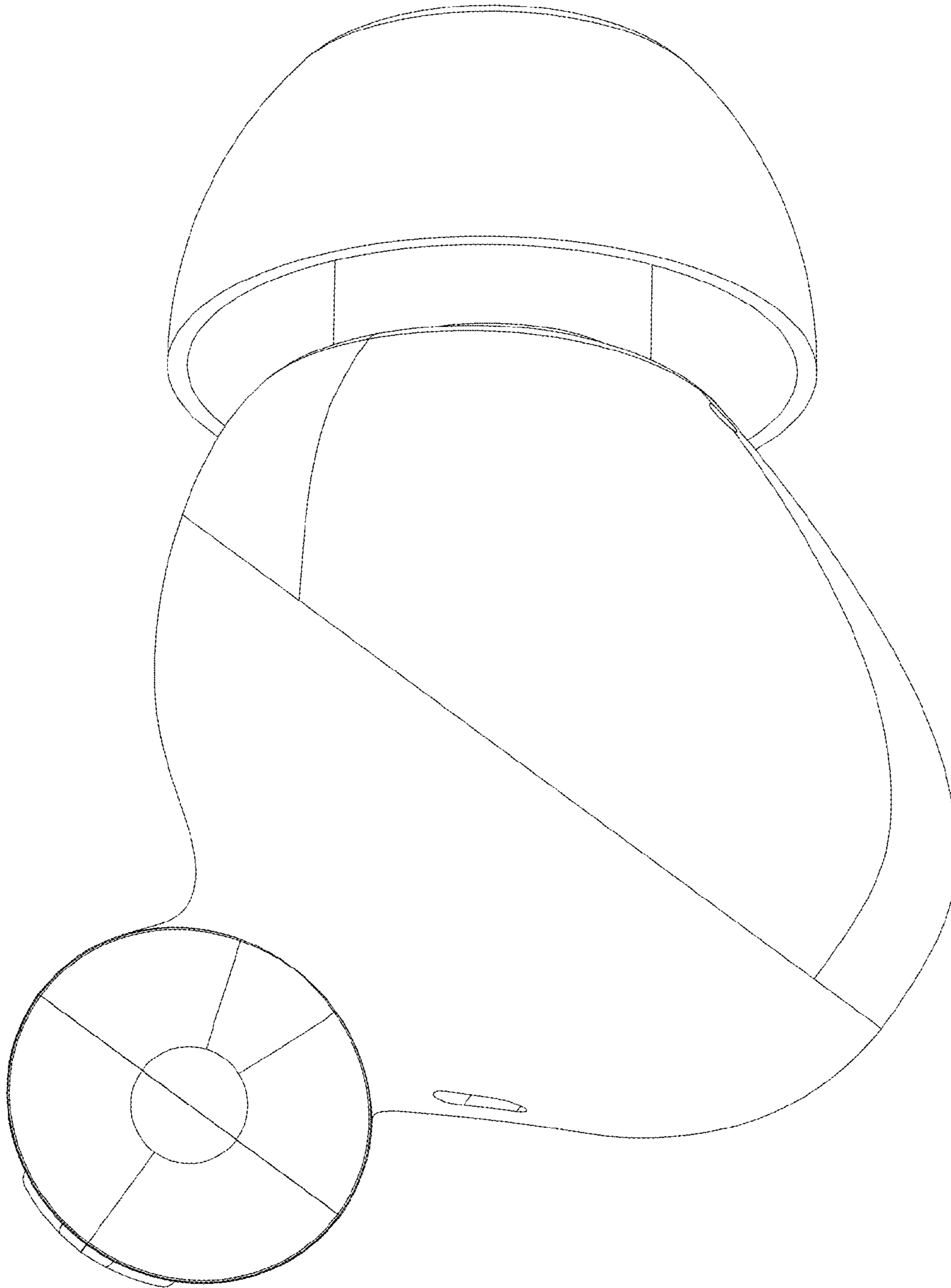


FIG. 7

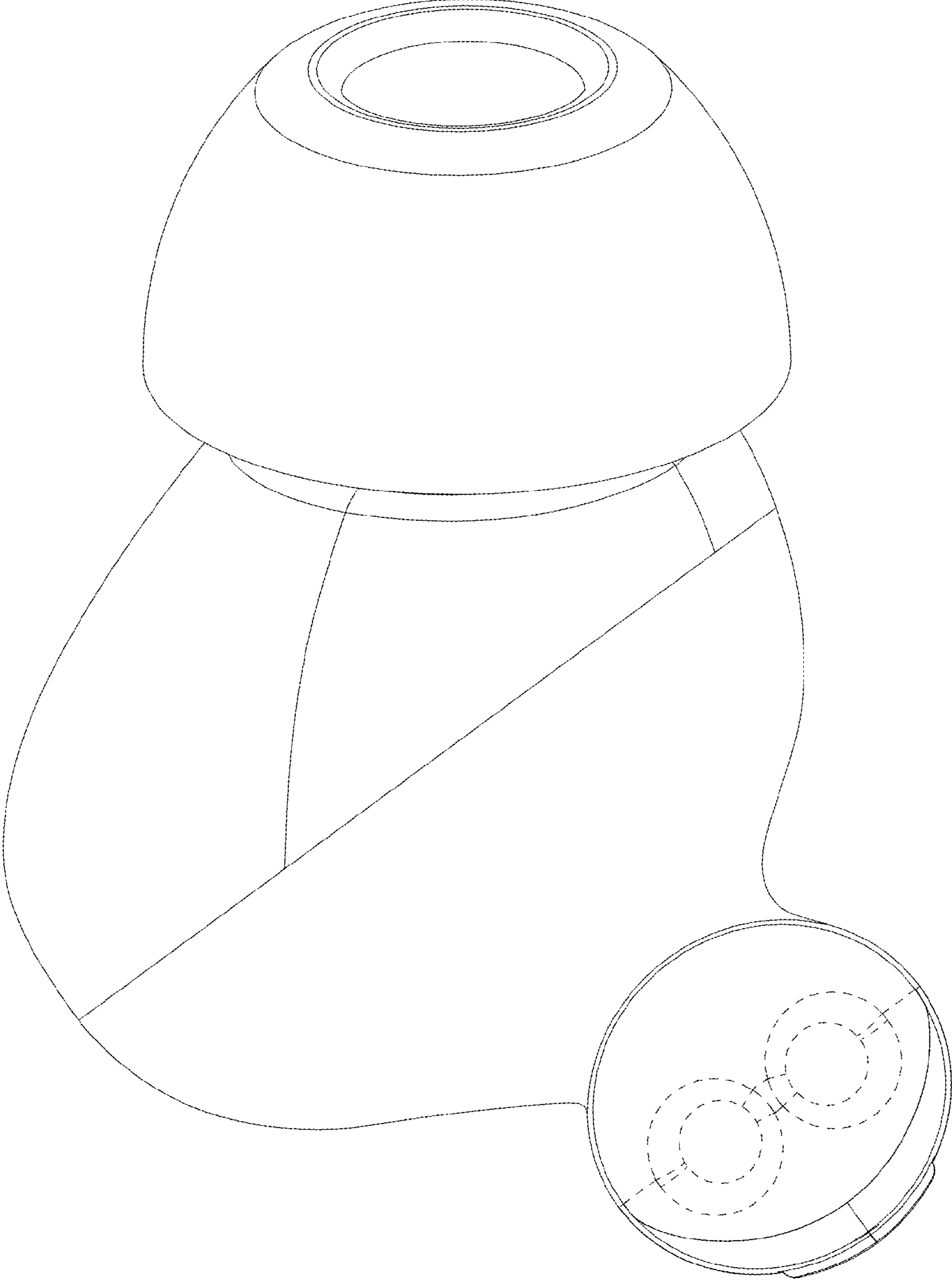


FIG.8