



US00D956719S

(12) **United States Design Patent**
Huang

(10) **Patent No.:** **US D956,719 S**
(45) **Date of Patent:** **** Jul. 5, 2022**

- (54) **EARPHONE**
- (71) Applicant: **Hongping Huang**, Guangdong (CN)
- (72) Inventor: **Hongping Huang**, Guangdong (CN)
- (73) Assignee: **Shenzhen Zio Communication Technology Co., Ltd.**, Shenzhen (CN)
- (**) Term: **15 Years**
- (21) Appl. No.: **29/753,133**
- (22) Filed: **Sep. 30, 2020**
- (51) **LOC (13) Cl.** **14-01**
- (52) **U.S. Cl.**
USPC **D14/223**
- (58) **Field of Classification Search**
USPC D14/223, 205; D24/174; 128/864-866;
D13/108; 381/380, 381, 322, 328;
455/90.3, 575.1, 569.1
CPC H04R 1/10; H04R 25/00; H04R 25/02;
H04R 1/1066; H04R 1/1016; H04R
5/033; H04R 5/0335; H04R 1/1083;
H04R 1/1091; H02J 7/02
See application file for complete search history.

(56) **References Cited**

U.S. PATENT DOCUMENTS

D707,206 S *	6/2014	Akana	H04R 1/10
			D14/223
D711,857 S *	8/2014	Burgett	D14/223
D718,284 S *	11/2014	Shibusawa	D14/223
D730,876 S *	6/2015	Dahlberg	D14/223
D732,008 S *	6/2015	Akana	H04R 1/1016
			D14/223
D733,101 S *	6/2015	Pi	D14/223
D733,689 S *	7/2015	Narita	D14/223
D738,864 S *	9/2015	Lee	D14/223
D741,287 S *	10/2015	Harata	D14/223
D757,682 S *	5/2016	Perez	D14/205

D760,202 S *	6/2016	Hsieh	D14/223
D770,412 S *	11/2016	Son	D14/223
D784,962 S *	4/2017	Yang	D14/223
D801,314 S *	10/2017	Akana	D14/223
D820,809 S *	6/2018	Akana	D14/219
D822,009 S *	7/2018	Matoba	D14/223
D830,336 S *	10/2018	Cai	D14/205
D832,824 S *	11/2018	Kim	D14/223
D847,125 S *	4/2019	Akana	D14/206
D861,647 S *	10/2019	Chen	D14/223
D869,445 S *	12/2019	Hu	D14/223
D878,337 S *	3/2020	Yang	D14/223
D889,436 S *	7/2020	Zhang	D14/206
D890,138 S *	7/2020	Peng	D14/223
D893,462 S *	8/2020	Liu	D14/223
D895,582 S *	9/2020	Wu	D14/223
D896,207 S *	9/2020	He	D14/223
D903,639 S *	12/2020	Yang	D14/223

(Continued)

FOREIGN PATENT DOCUMENTS

CN	306018819	*	8/2020
CN	307034599	*	12/2021

(Continued)

Primary Examiner — Paula Allen Greene

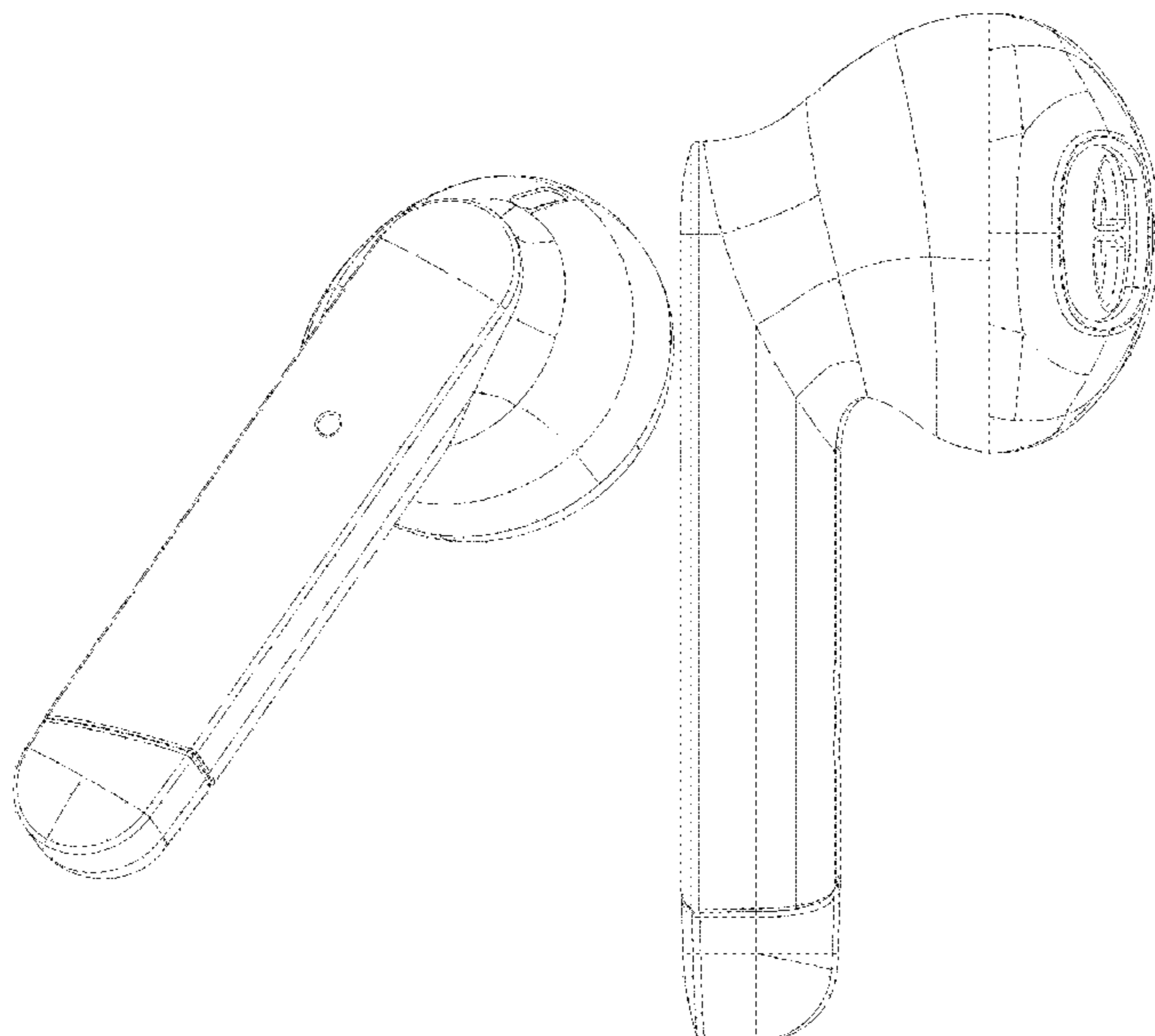
(57) **CLAIM**

The ornamental design for an earphone, as shown and described.

DESCRIPTION

FIG. 1 is a perspective view of an earphone showing my new design;
 FIG. 2 is a front elevational view thereof;
 FIG. 3 is a rear elevational view thereof;
 FIG. 4 is a left side elevational view thereof;
 FIG. 5 is a right side elevational view thereof;
 FIG. 6 is a top plan view thereof; and,
 FIG. 7 is a bottom plan view thereof.

1 Claim, 7 Drawing Sheets



(56)

References Cited

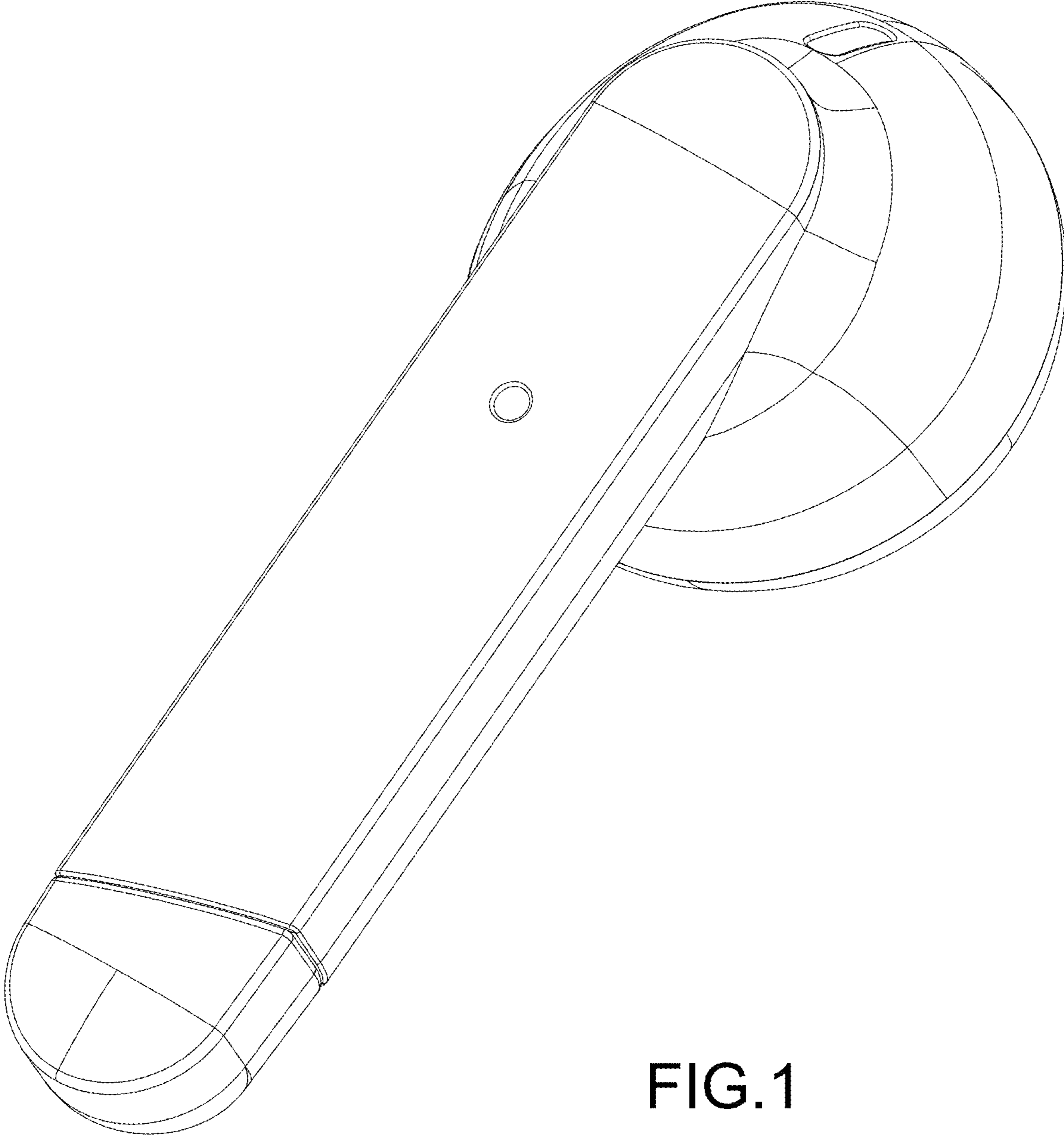
U.S. PATENT DOCUMENTS

D907,011	S	*	1/2021	Liu	D14/223
D914,652	S	*	3/2021	Chen	D14/223
D916,684	S	*	4/2021	Fang	D14/223
D920,291	S	*	5/2021	Hou	D14/223
D924,851	S	*	7/2021	Li	D14/223
D925,500	S	*	7/2021	Chen	D14/223
D929,379	S	*	8/2021	Woo	D14/223
D930,621	S	*	9/2021	Rong	D14/223
D932,472	S	*	10/2021	Wang	D14/223
D941,276	S	*	1/2022	Levy	D14/223
D944,197	S	*	2/2022	Li	D14/223
2012/0237074	A1	*	9/2012	Aase	H04R 1/1058 29/858
2012/0275635	A1	*	11/2012	Chen	H04R 1/1075 381/380
2013/0004011	A1	*	1/2013	Hayashida	H04R 1/345 381/380
2013/0343585	A1	*	12/2013	Bennett	H04W 4/80 381/317
2013/0343595	A1	*	12/2013	Zorkendorfer	H04R 1/10 381/380
2015/0382100	A1	*	12/2015	Azmi	H04R 1/2849 381/380
2017/0164087	A1	*	6/2017	Kurtz	H04R 1/1016
2020/0252715	A1	*	8/2020	Zhou	H04R 1/1041

FOREIGN PATENT DOCUMENTS

CN	307076996	*	1/2022
CN	307118789	*	2/2022
GB	6191627	*	2/2022

* cited by examiner



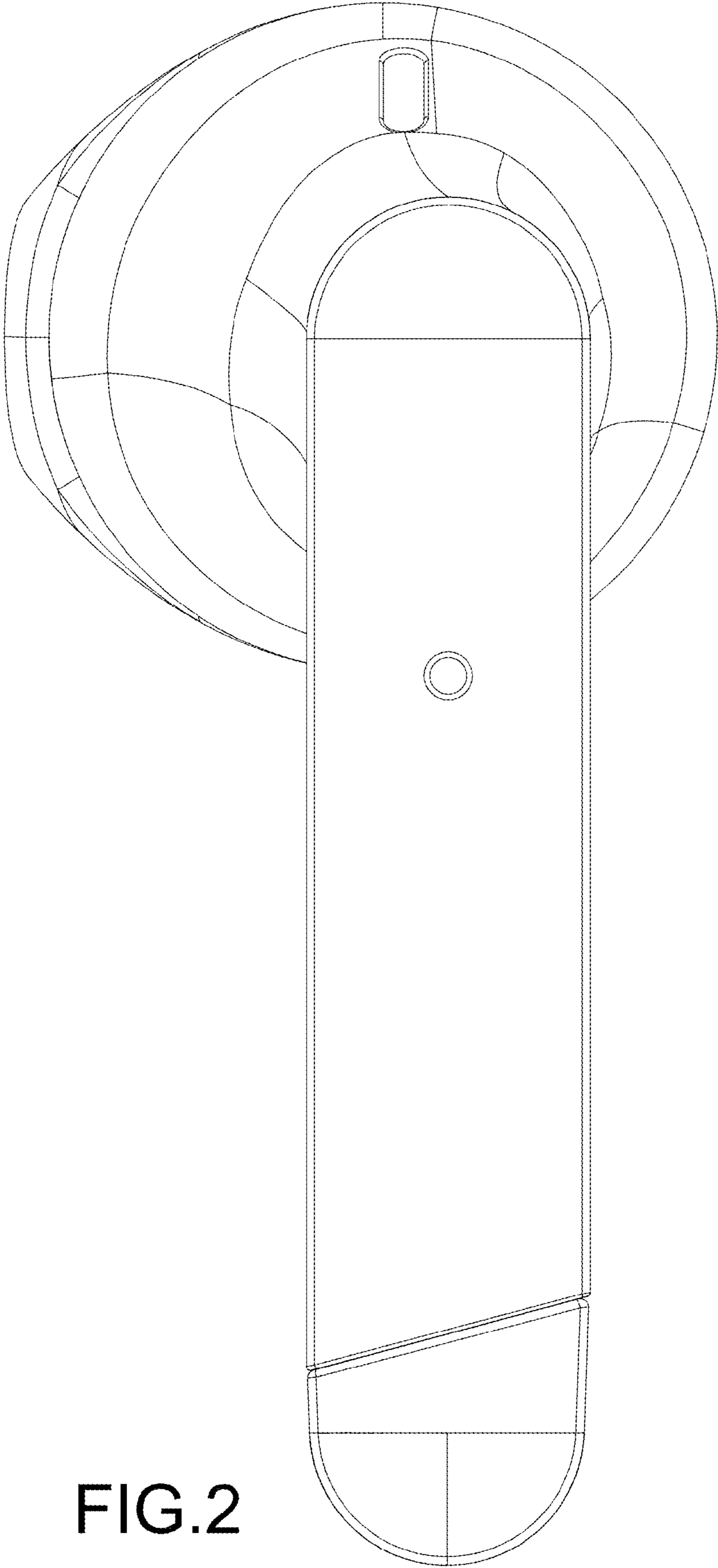


FIG.2

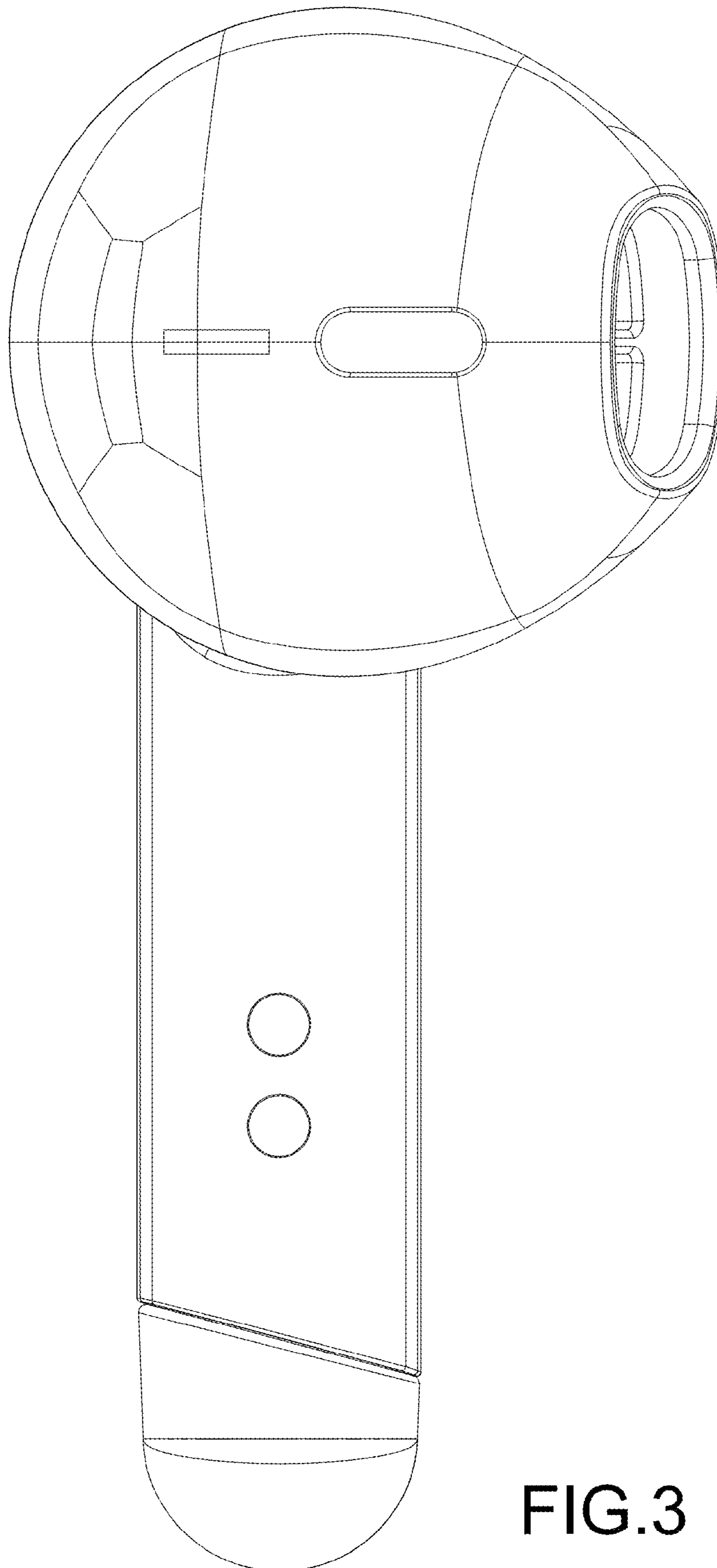


FIG.3

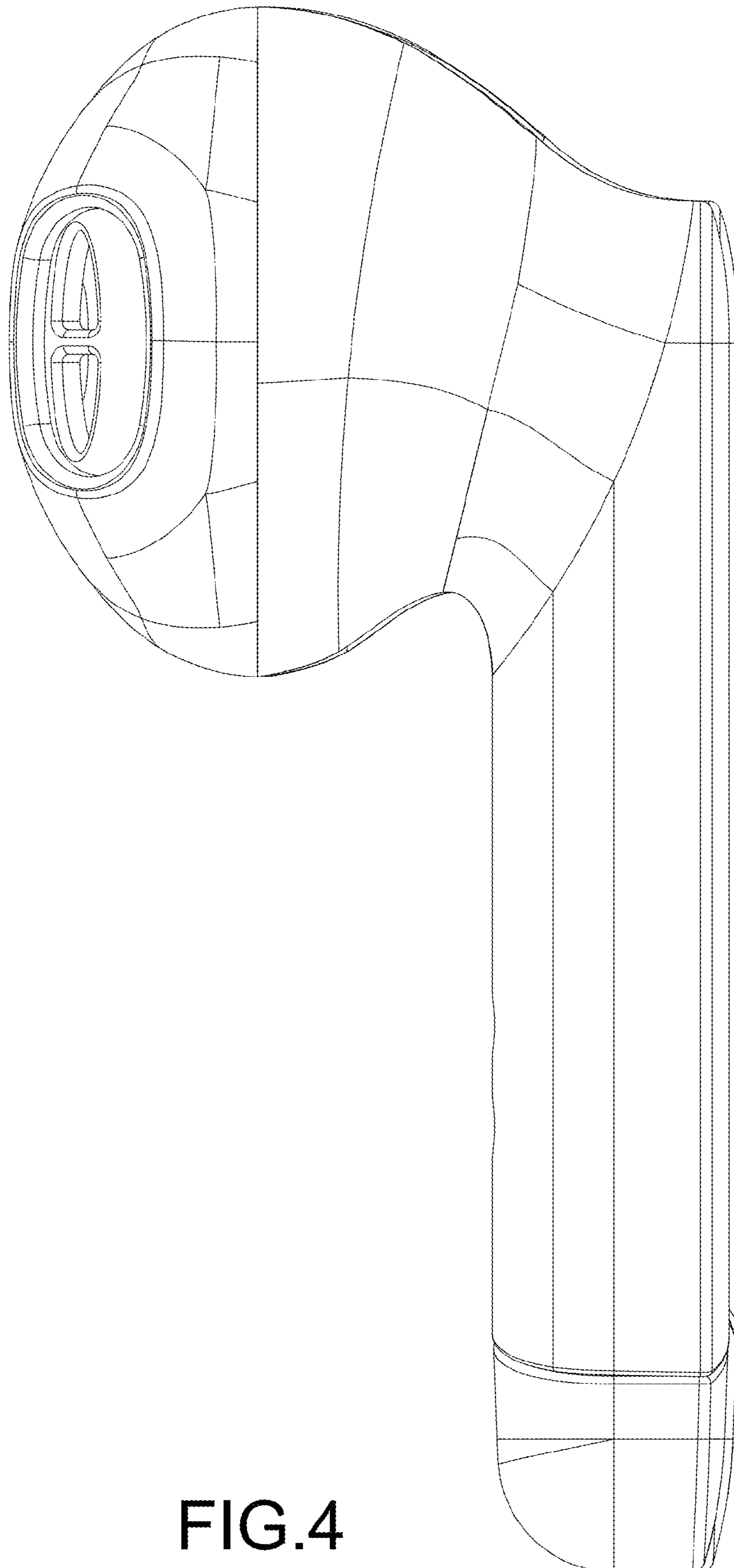


FIG.4

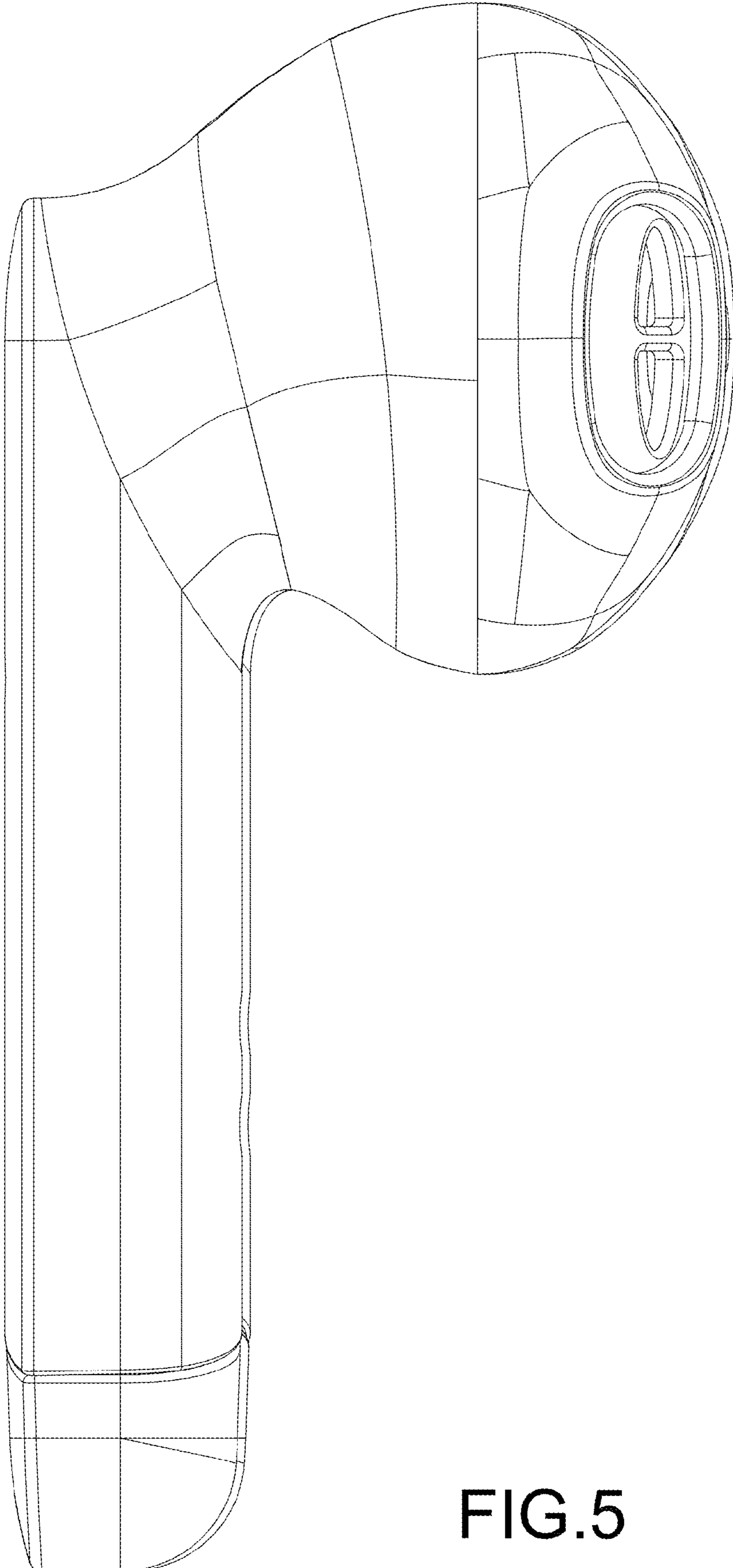


FIG.5

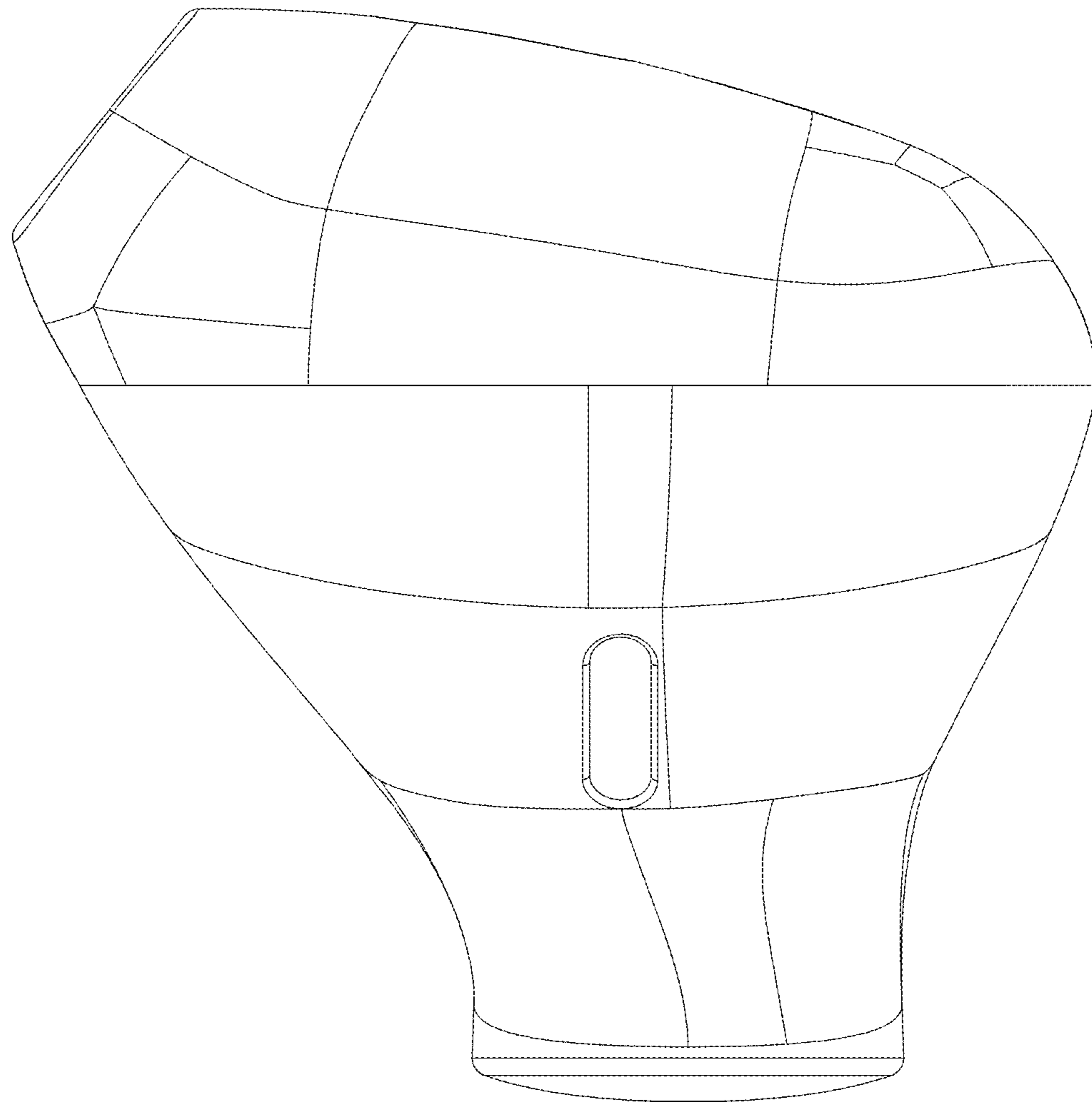


FIG.6

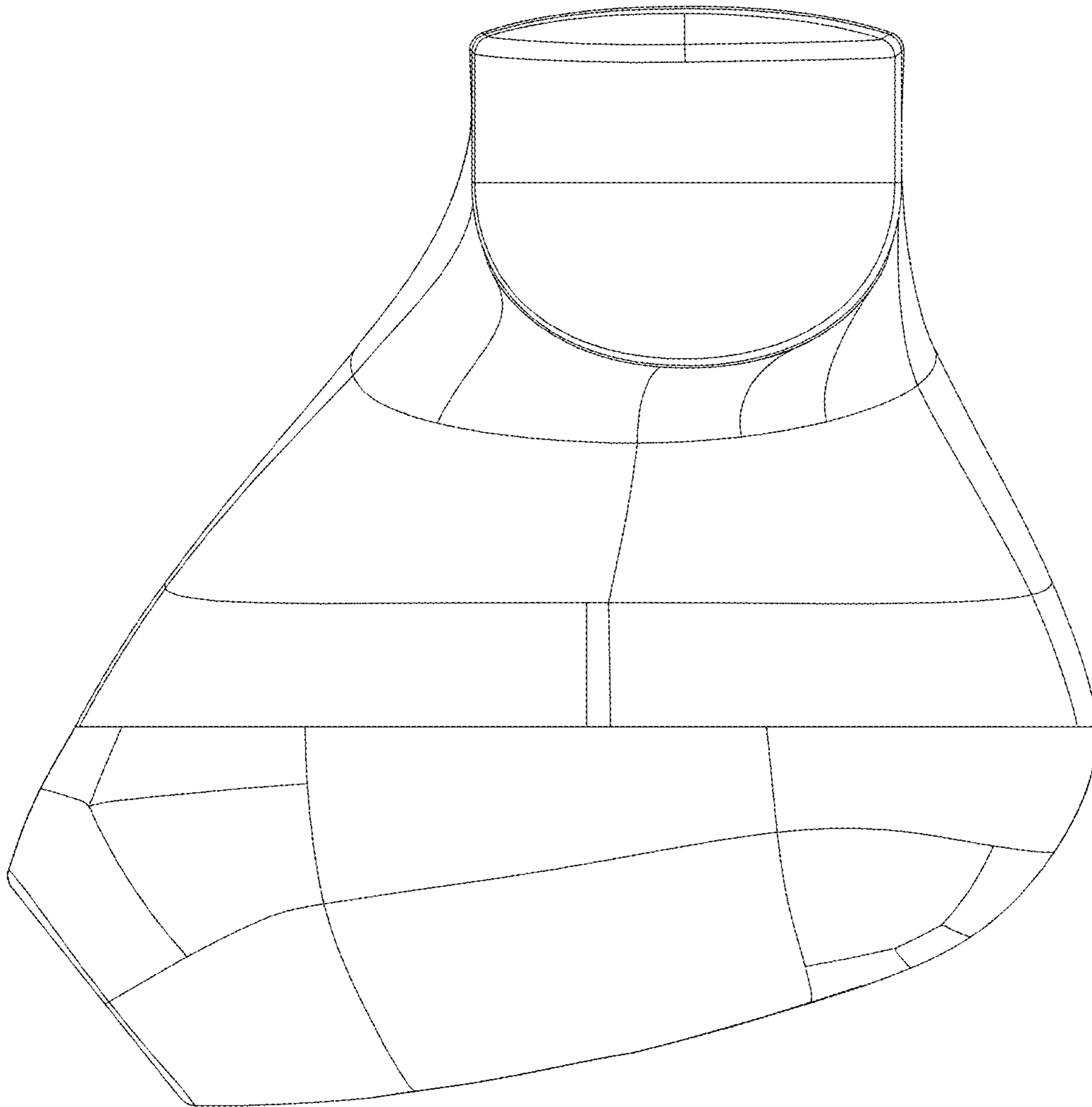


FIG. 7