



US00D956718S

(12) **United States Design Patent**
Kudo et al.

(10) **Patent No.:** **US D956,718 S**
(45) **Date of Patent:** **** Jul. 5, 2022**

(54) **EQUALIZER**

(71) Applicant: **Audio-Technica Corporation**, Tokyo (JP)

(72) Inventors: **Mai Kudo**, Tokyo (JP); **Shinobusa Yura**, Tokyo (JP); **Kazuyuki Ishihara**, Tokyo (JP); **Yutaro Kumagai**, Kanagawa (JP)

(73) Assignee: **AUDIO-TECHNICA CORPORATION**, Tokyo (JP)

(**) Term: **15 Years**

(21) Appl. No.: **29/738,468**

(22) Filed: **Jun. 17, 2020**

(30) **Foreign Application Priority Data**

Dec. 18, 2019 (JP) 2019-028065

(51) **LOC (13) Cl.** **14-01**

(52) **U.S. Cl.**
USPC **D14/217**

(58) **Field of Classification Search**
USPC D14/155, 157, 164, 188, 257; D24/119
CPC H01R 13/627; H04B 1/082
See application file for complete search history.

(56) **References Cited**

U.S. PATENT DOCUMENTS

D375,955 S * 11/1996 Rankins D14/257
D701,198 S * 3/2014 Kanou D14/258
D704,696 S * 5/2014 Kimura D14/258
D744,975 S * 12/2015 Kimura D14/258

D768,108 S * 10/2016 Ravat D14/257
D775,119 S * 12/2016 Kimura D14/258
D776,633 S * 1/2017 Williamson D14/188
D876,426 S * 2/2020 Gohto D14/257

OTHER PUBLICATIONS

[Audio-Technica AT-PEQ30 Phono Equalizer], available in Amazon.com, date first available Oct. 6, 2020 [online], [site visited Feb. 18, 2022], Available from the internet URL: <https://www.amazon.com/Audio-Technica-ATPEQ30-AT-PEQ30-Phono-Equalizer/dp/B087Q8G4LX> (Year: 2020).*

* cited by examiner

Primary Examiner — Khawaja Anwar
Assistant Examiner — Megan Tiana Rakos
(74) *Attorney, Agent, or Firm* — WCF IP

(57) **CLAIM**

The ornamental design for an equalizer, as shown and described.

DESCRIPTION

FIG. 1 is a perspective view of an equalizer, showing our design;
FIG. 2 is a front view thereof;
FIG. 3 is a rear view thereof;
FIG. 4 is a top plan view thereof;
FIG. 5 is a bottom plan view thereof;
FIG. 6 is a left side view thereof; and,
FIG. 7 is a right side view thereof.
The broken lines are directed to environmental structure and are for illustrative purpose only; the broken lines form no part of the claimed design.

1 Claim, 5 Drawing Sheets

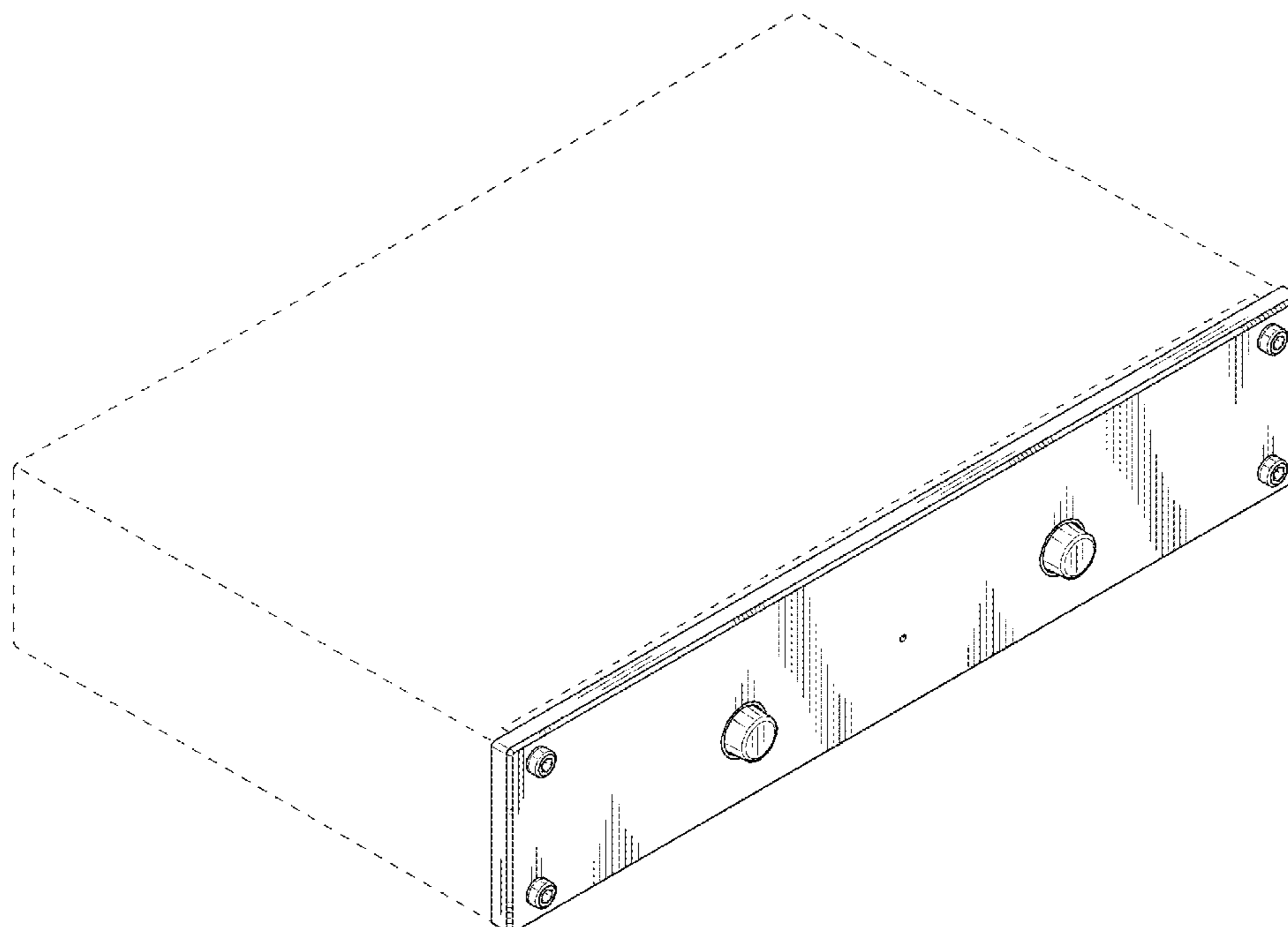


FIG. 1

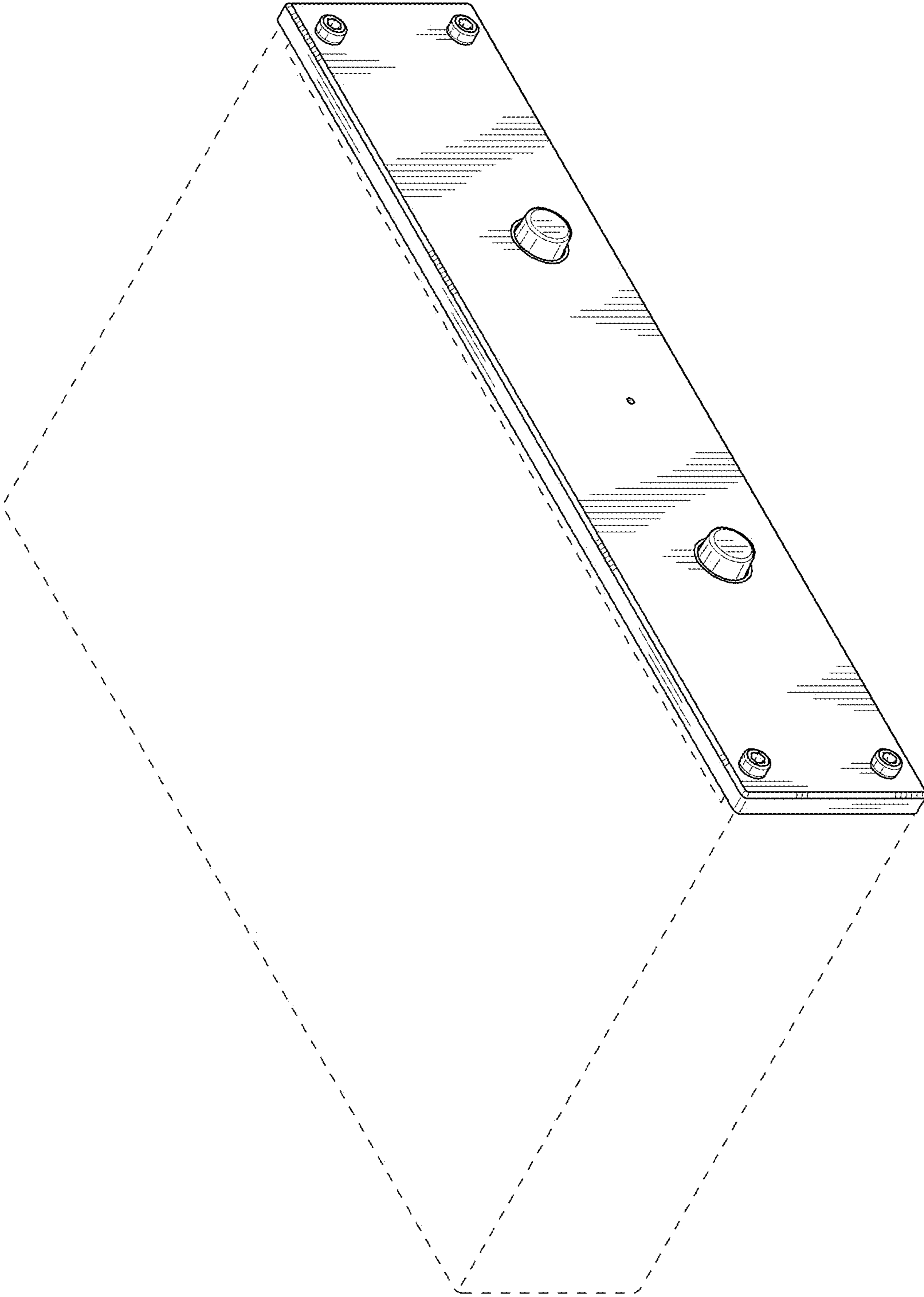


FIG. 2

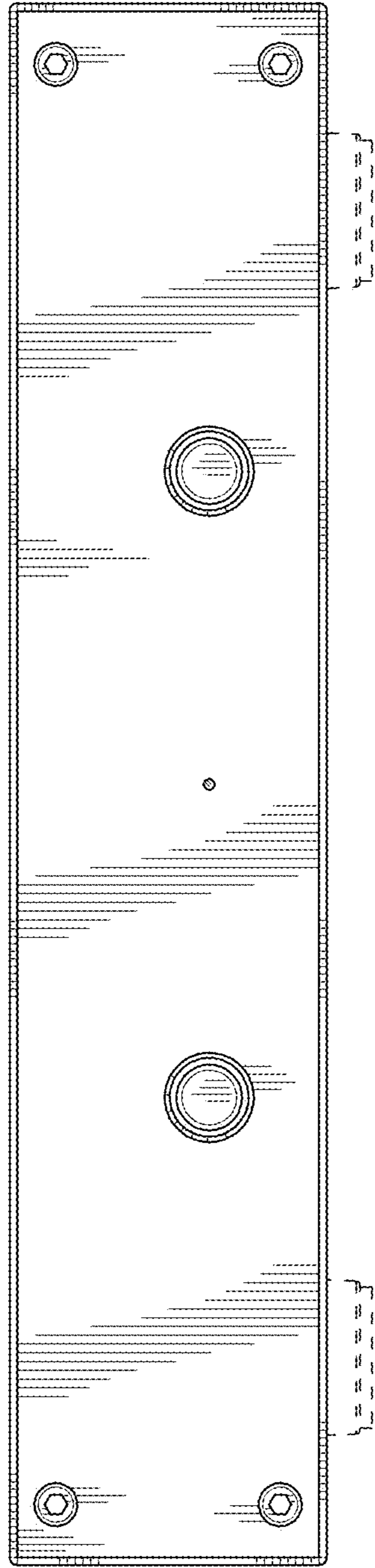


FIG. 3

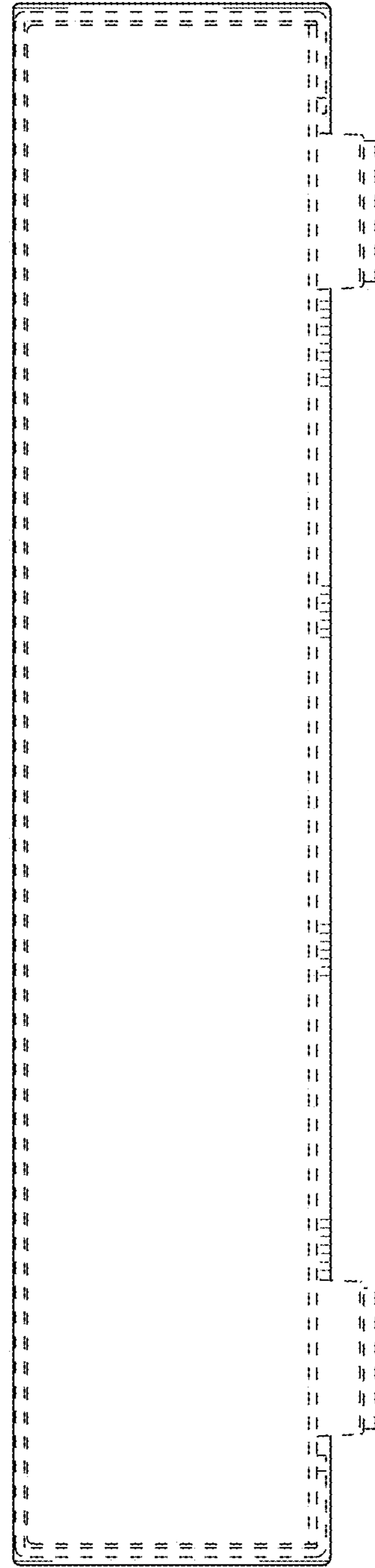


FIG. 4

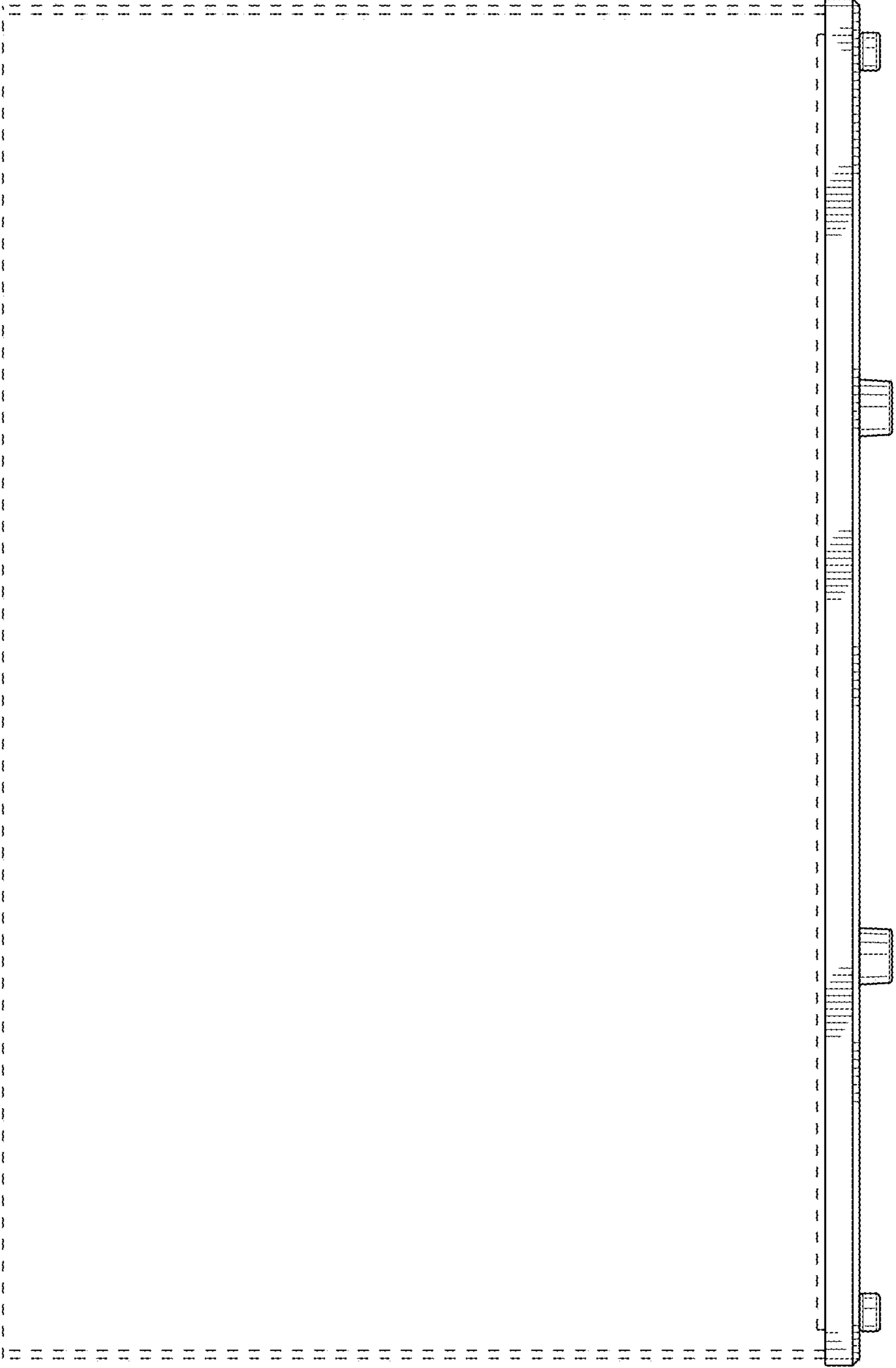


FIG. 5

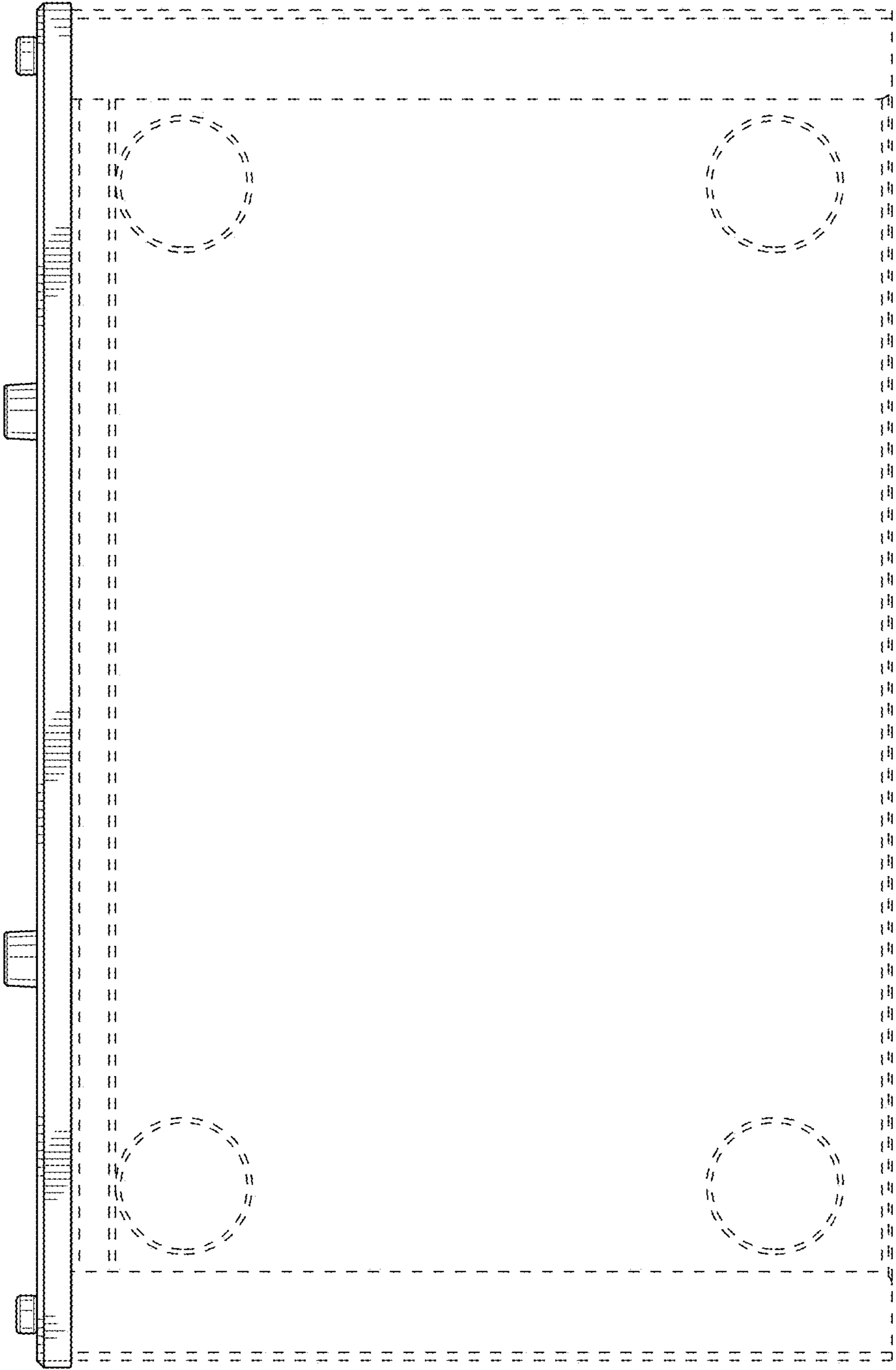


FIG. 6

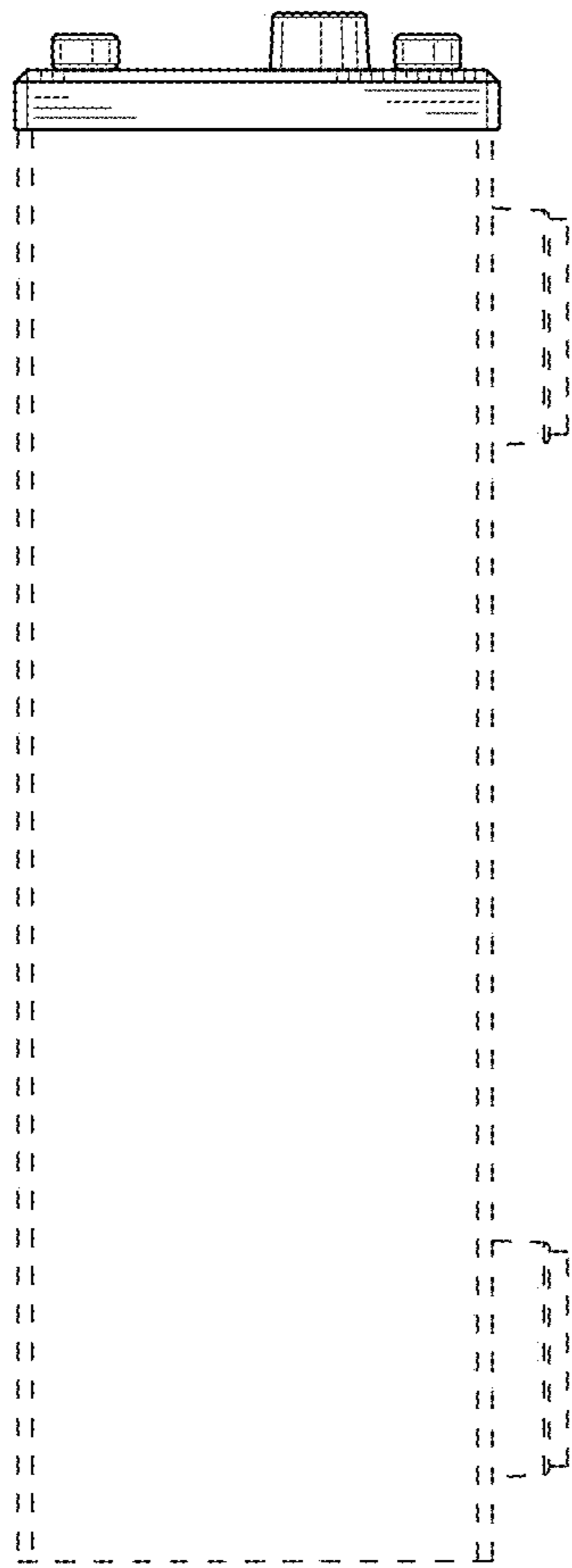


FIG. 7

