



US00D956717S

(12) **United States Design Patent**  
**Su et al.**

(10) **Patent No.:** **US D956,717 S**  
(45) **Date of Patent:** **\*\* \*Jul. 5, 2022**

- (54) **CASSETTE ADAPTER**
- (71) Applicant: **Guangdong XIAOSHU DIAN Technology Co., Ltd**, Foshan (CN)
- (72) Inventors: **Kaizan Su**, Guangzhou (CN); **Bin Miao**, Guangdong Province (CN)
- (\* ) Notice: This patent is subject to a terminal disclaimer.
- (\*\* ) Term: **15 Years**
- (21) Appl. No.: **29/715,669**
- (22) Filed: **Dec. 4, 2019**
- (51) **LOC (13) Cl.** ..... **14-03**
- (52) **U.S. Cl.**  
USPC ..... **D14/217**; D14/155; D14/476
- (58) **Field of Classification Search**  
USPC ..... D14/432, 433, 357, 496, 160, 161, 164, D14/166, 217, 238.1, 299, 474, 475, 476, D14/477, 473, 155, 435.1, 188, 189; D13/147, 153, 154, 156  
CPC ..... G03B 21/323; G06F 3/0682; H04N 1/00668; H04N 1/0083; H04N 2201/0049; G11B 7/24097; G11B 23/02; G11B 23/049; G11B 33/005; G11B 33/122; G11B 33/126; G11B 25/066; G11B 31/02; H01R 13/72; H01R 31/06  
See application file for complete search history.

- (56) **References Cited**  
U.S. PATENT DOCUMENTS  
D206,719 S \* 1/1967 Dietrich ..... D14/476  
D222,911 S \* 2/1972 Weiss et al. .... D14/476  
D223,029 S \* 2/1972 Weiss et al. .... D14/476  
D236,502 S \* 8/1975 Saito ..... D14/476  
3,946,156 A \* 3/1976 Budrose ..... G11B 23/049  
369/1  
3,964,099 A \* 6/1976 Sato ..... G11B 25/066  
360/94

- 3,978,524 A \* 8/1976 Gordon ..... G11B 31/00  
369/1
- RE29,058 E \* 11/1976 Bolick, Jr. .... G11B 25/066  
360/94
- D244,868 S \* 6/1977 Hattori ..... D14/433  
(Continued)

**OTHER PUBLICATIONS**

Arsvita Car Audio Bluetooth Cassette Receiver-Cassette Aux Adapter. (online) 8 pgs. Available Apr. 16, 2019. [ Retrieved Oct. 1, 2021] [https://www.amazon.com/Arsvita-Bluetooth-Cassette-Receiver-Adapter/dp/B07QSW6KNY?ref\\_ast\\_sto\\_dp](https://www.amazon.com/Arsvita-Bluetooth-Cassette-Receiver-Adapter/dp/B07QSW6KNY?ref_ast_sto_dp).\*  
(Continued)

*Primary Examiner* — Marie D. Fast Horse  
(74) *Attorney, Agent, or Firm* — Xiaofang Zhong; Law Office of Xiaofang Zhong, PLLC

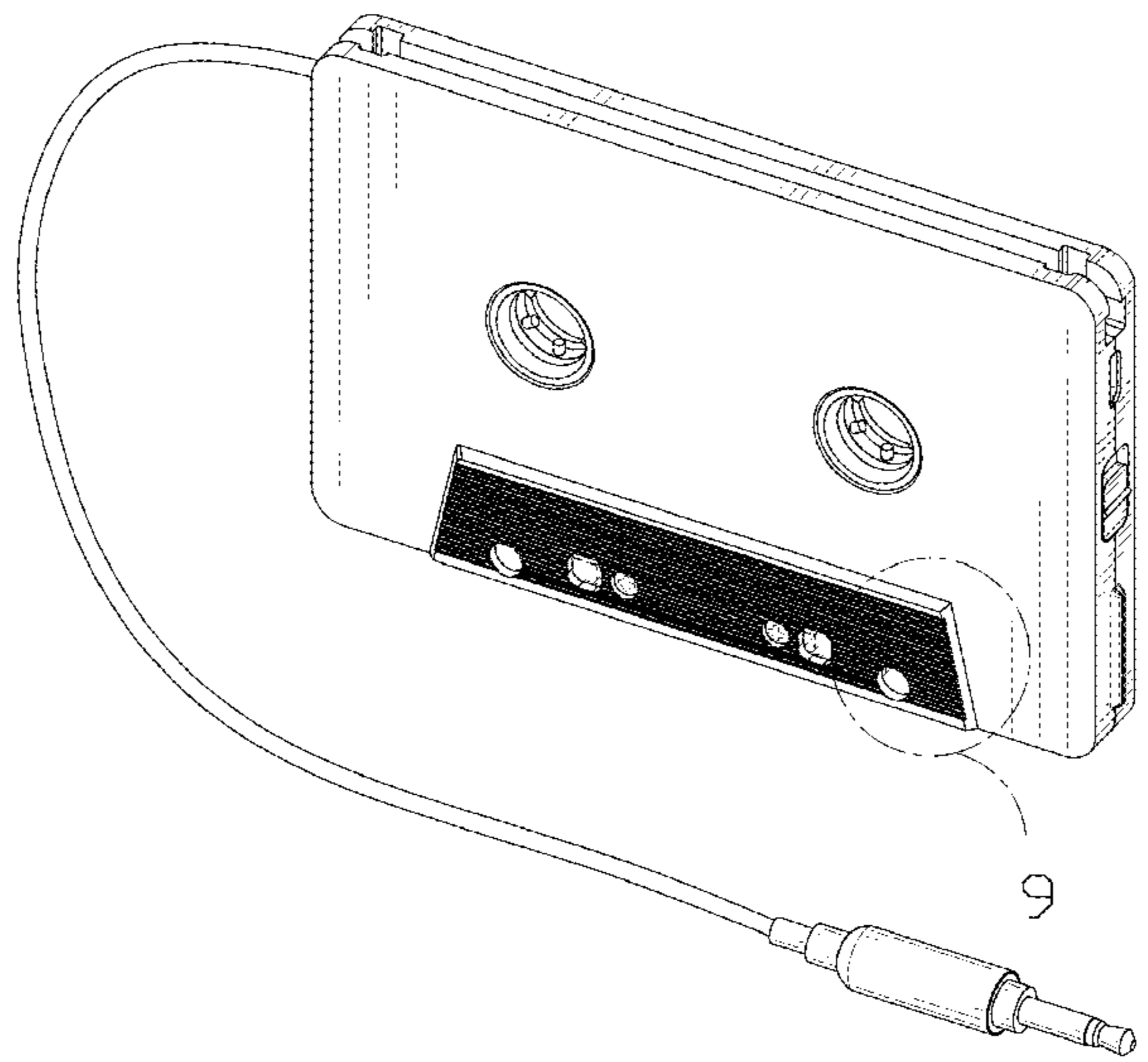
(57) **CLAIM**

The ornamental design for a cassette adapter, as shown and described.

**DESCRIPTION**

FIG. 1 is a front and top perspective view of a cassette adapter, showing our new design;  
FIG. 2 is a rear and bottom perspective view thereof;  
FIG. 3 is a front elevational view thereof;  
FIG. 4 is a rear elevational view thereof;  
FIG. 5 is a left side elevational view thereof;  
FIG. 6 is a right side elevational view thereof;  
FIG. 7 is a top plan view thereof;  
FIG. 8 is a bottom plan view thereof;  
FIG. 9 is an enlarged view of a portion indicated in FIG. 1;  
FIG. 10 is an enlarged view of a portion indicated in FIG. 2;  
and,  
FIG. 11 is an enlarged view of a portion indicated in FIG. 6.  
The broken lines in the figures illustrate portions of the cassette adapter that form no part of the claimed design.

**1 Claim, 11 Drawing Sheets**



(56)

References Cited

U.S. PATENT DOCUMENTS

D258,585 S \* 3/1981 Yoshizawa ..... D14/476  
 D262,369 S \* 12/1981 Hatakeyama ..... D14/476  
 D262,876 S \* 2/1982 Yoshizawa ..... D14/476  
 D262,877 S \* 2/1982 Yoshizawa ..... D14/476  
 D271,198 S \* 11/1983 Shimizu ..... D14/476  
 D274,055 S \* 5/1984 Wester ..... D14/476  
 D275,750 S \* 10/1984 Shimizu ..... D14/476  
 D276,910 S \* 12/1984 Lohrer ..... D14/476  
 D280,815 S \* 10/1985 Gelardi ..... D14/476  
 4,566,653 A \* 1/1986 Bettinger ..... G11B 23/0875  
 220/4.21  
 D284,077 S \* 6/1986 Kikuchi ..... D14/476  
 D286,631 S \* 11/1986 Hashimoto ..... D14/476  
 4,713,712 A \* 12/1987 Chou ..... G11B 23/049  
 360/128  
 4,734,897 A \* 3/1988 Schotz ..... G11B 23/049  
 369/2  
 4,736,903 A \* 4/1988 Landry ..... G11B 23/08721  
 242/338.3  
 D302,603 S \* 8/1989 Whiton ..... D14/476  
 D304,031 S \* 10/1989 Nishiyama ..... D14/477  
 D308,866 S \* 6/1990 Kinoshita ..... D14/476  
 D311,736 S \* 10/1990 Perelli ..... D14/476  
 D313,234 S \* 12/1990 Liao ..... D14/476  
 D316,256 S \* 4/1991 Yonehara ..... D14/476  
 D316,257 S \* 4/1991 Yonehara ..... D14/476  
 D316,258 S \* 4/1991 Yonehara ..... D14/476  
 D316,259 S \* 4/1991 Yonehara ..... D14/476  
 D316,406 S \* 4/1991 Yonehara ..... D14/476  
 D317,155 S \* 5/1991 Hashimoto ..... D14/476  
 D320,201 S \* 9/1991 Isozaki ..... D14/476  
 D320,202 S \* 9/1991 Eng ..... D14/476  
 D329,855 S \* 9/1992 Horikiri ..... D14/476  
 D330,894 S \* 11/1992 Horikiri ..... D14/476  
 D331,234 S \* 11/1992 Horikiri ..... D14/476  
 D331,236 S \* 11/1992 Grasso ..... D14/476  
 D331,237 S \* 11/1992 Grasso ..... D14/476  
 D331,926 S \* 12/1992 Urano ..... D14/476  
 D336,085 S \* 6/1993 Ogawa ..... D14/476  
 D336,086 S \* 6/1993 Ogawa ..... D14/476  
 D337,324 S \* 7/1993 Wolf ..... D14/476  
 D337,325 S \* 7/1993 Nakamaru ..... D14/476  
 5,307,326 A \* 4/1994 Osawa ..... G11B 23/049  
 369/2  
 D348,262 S \* 6/1994 Schoettle ..... D14/476  
 D349,895 S \* 8/1994 Gramuglia ..... D14/476  
 D350,952 S \* 9/1994 Katayama ..... D14/476  
 5,438,189 A \* 8/1995 Von Heck ..... G11B 23/08707  
 242/347  
 5,444,675 A \* 8/1995 De Bie ..... G11B 23/049  
 174/666

D363,929 S \* 11/1995 Tanaka ..... D14/476  
 D364,156 S \* 11/1995 Tanaka ..... D14/476  
 D365,344 S \* 12/1995 Schoettle ..... D14/476  
 D369,794 S \* 5/1996 Matsuki ..... D14/476  
 5,586,090 A \* 12/1996 Otte ..... G11B 23/049  
 369/1  
 D384,055 S \* 9/1997 Luo ..... D14/476  
 5,910,866 A \* 6/1999 Shiomoto ..... G11B 23/049  
 360/241  
 6,011,756 A \* 1/2000 Lee ..... G11B 23/049  
 369/2  
 6,058,319 A \* 5/2000 Sadler ..... H04M 1/6083  
 455/569.2  
 6,091,672 A \* 7/2000 Oh ..... G11B 23/049  
 369/2  
 D438,871 S \* 3/2001 Luo ..... D14/476  
 D478,057 S \* 8/2003 Cohen ..... D14/155  
 D531,991 S \* 11/2006 Chau ..... D14/217  
 D560,649 S \* 1/2008 Hsu ..... D14/155  
 D581,920 S \* 12/2008 O'Brien ..... D14/299  
 D646,667 S \* 10/2011 Donegain ..... D14/217  
 D709,504 S \* 7/2014 Breines ..... D14/433  
 D733,685 S \* 7/2015 Izen ..... D14/217  
 D815,600 S \* 4/2018 Matsuoka ..... D13/147  
 D817,889 S \* 5/2018 Akana ..... D13/147  
 D853,982 S \* 7/2019 Lu ..... D14/155  
 D885,369 S \* 5/2020 Chen ..... D14/433  
 2005/0245191 A1 \* 11/2005 Falcon ..... G11B 23/049  
 455/3.06  
 2005/0266801 A1 \* 12/2005 Mathews ..... H04B 1/38  
 455/66.1  
 2006/0256475 A1 \* 11/2006 Lindsay ..... G11B 31/02  
 360/137  
 2008/0273429 A1 \* 11/2008 Dayan ..... G11B 31/02  
 369/2  
 2008/0291786 A1 \* 11/2008 Bruns ..... G11B 23/049  
 369/2  
 2008/0291787 A1 \* 11/2008 Bruns ..... G11B 23/049  
 369/2

OTHER PUBLICATIONS

Arsvita Car Audio Cassette to Aux Adapter. (online) 10 pgs. Available Jan. 23, 2019. [Retrieved Oct. 5, 2021] [https://www.amazon.com/Arsvita-Audio-Cassette-Adapter-Auxillary/dp/B07N2KPTGW?ref\\_ast\\_sto\\_dp](https://www.amazon.com/Arsvita-Audio-Cassette-Adapter-Auxillary/dp/B07N2KPTGW?ref_ast_sto_dp).  
 Cassette tape MP3 converters. (Design—© Questel) orbit.com. [online PDF of Foreign references] 13 pgs. Print Dates range May 12, 2020-Nov. 20, 2020. [Retrieved Oct. 6, 2021] <https://www.orbit.com/export/QPTUJ214/pdf2/2205ba44-ef20-46bc-a423-e9c35594f2da-184046.pdf>.

\* cited by examiner

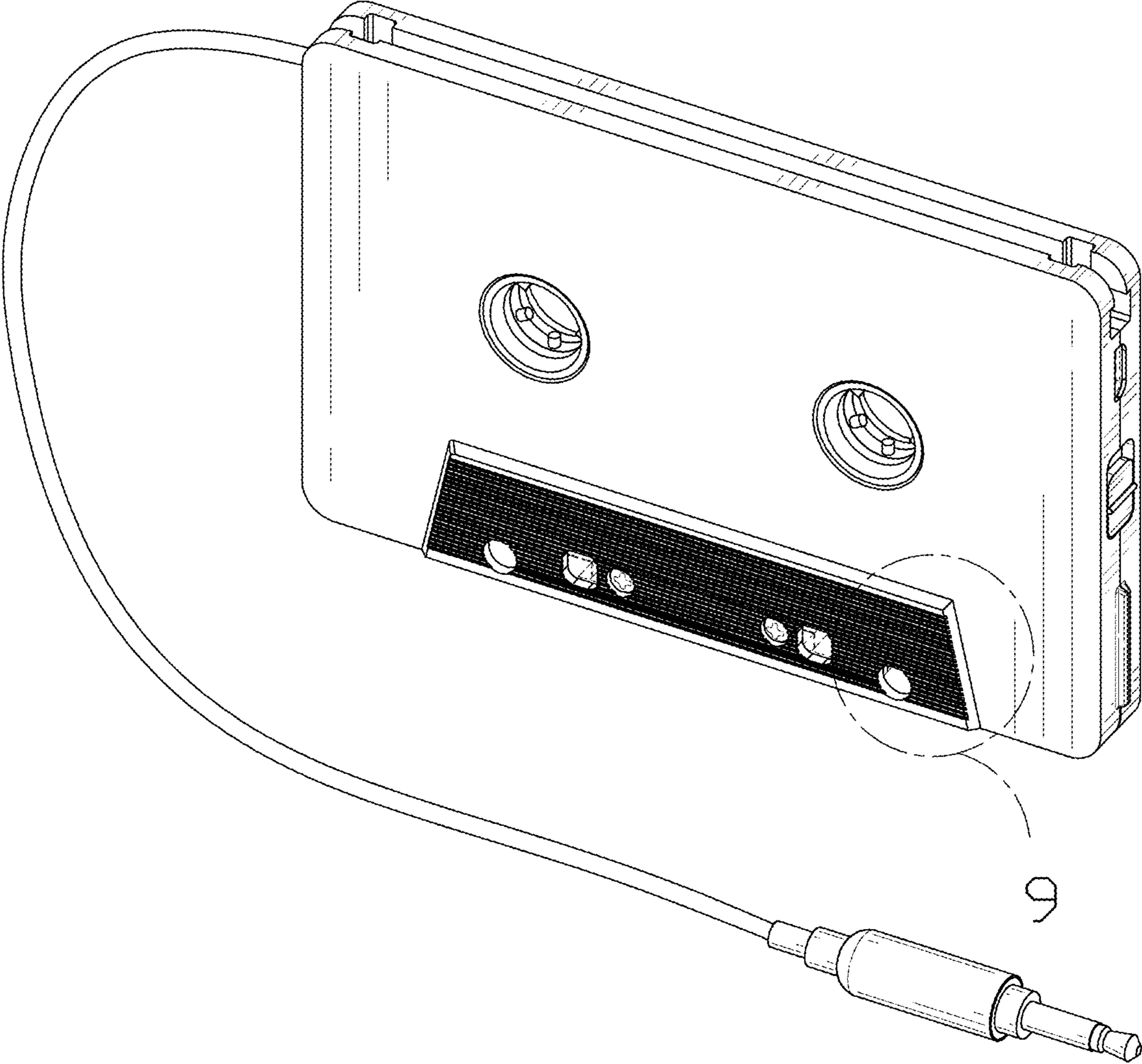


FIG. 1

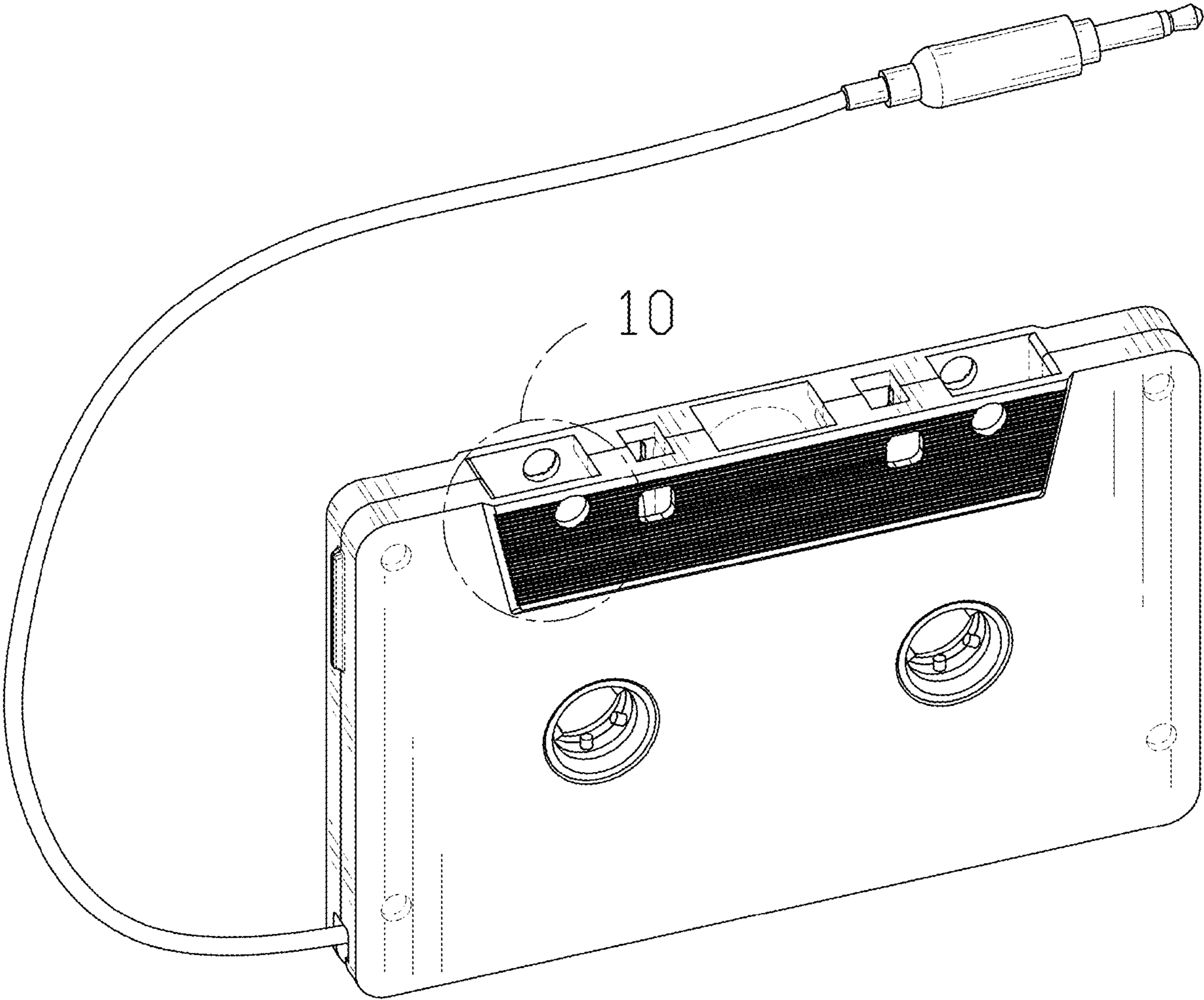


FIG. 2

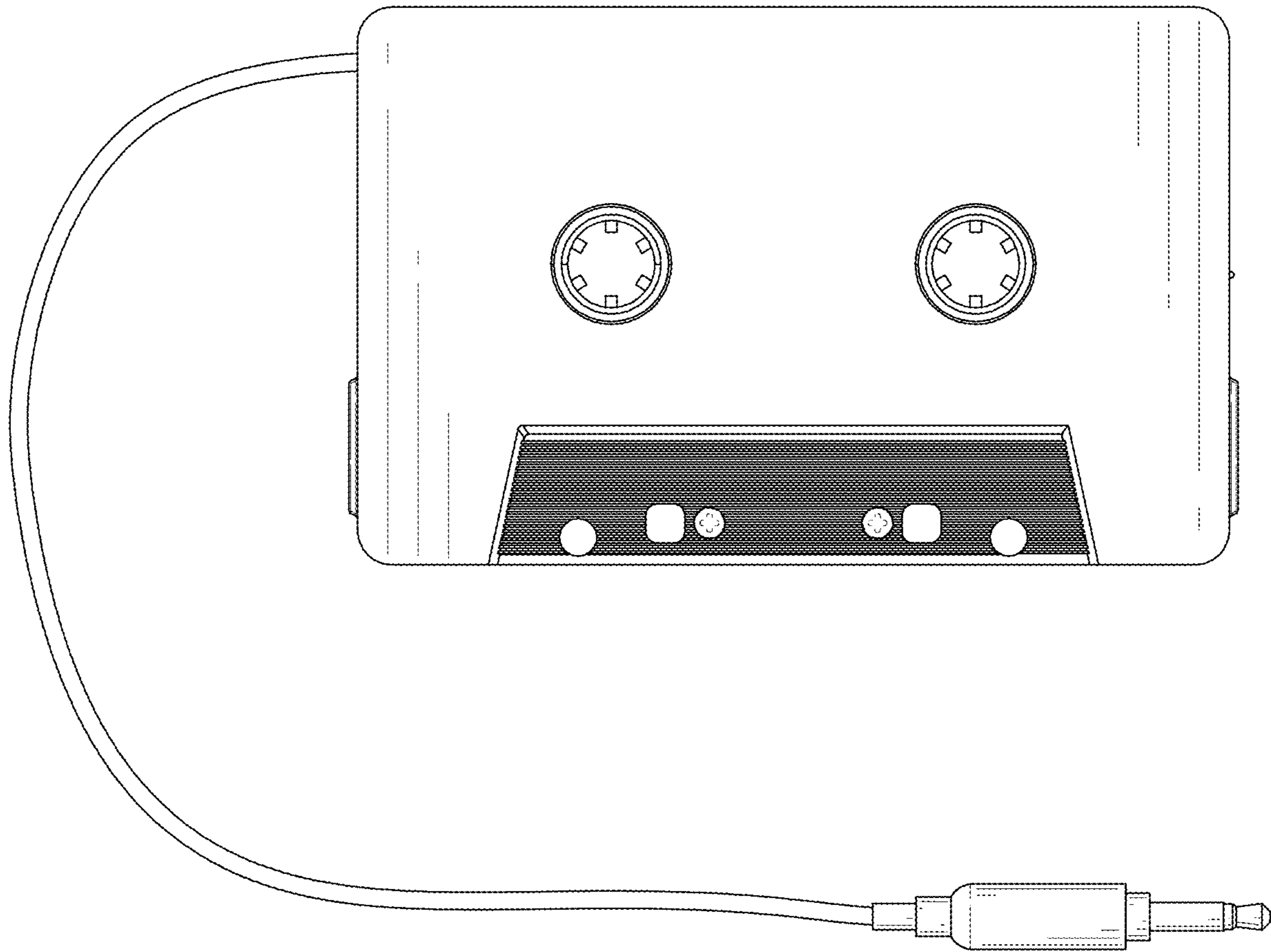


FIG. 3

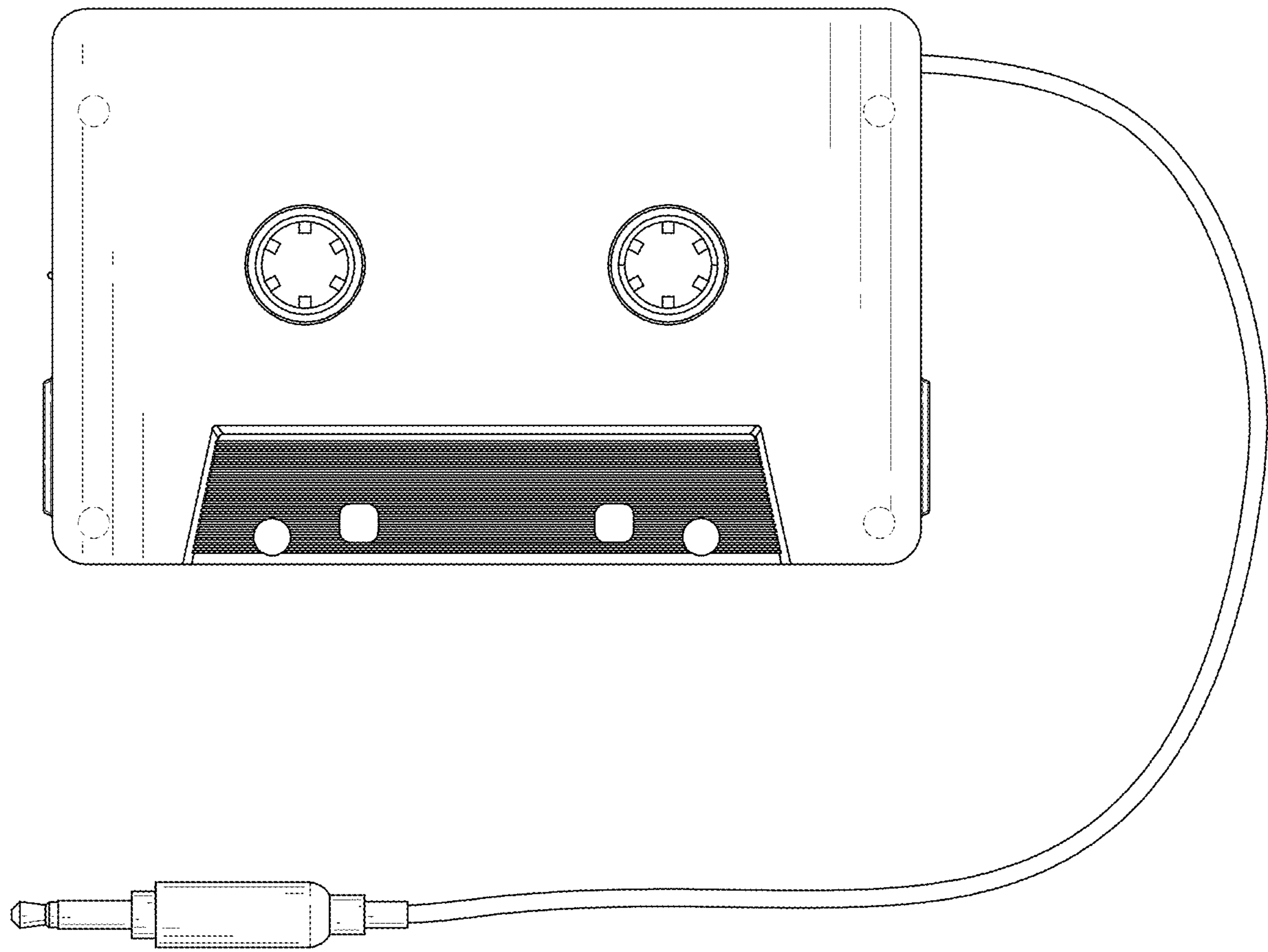


FIG. 4

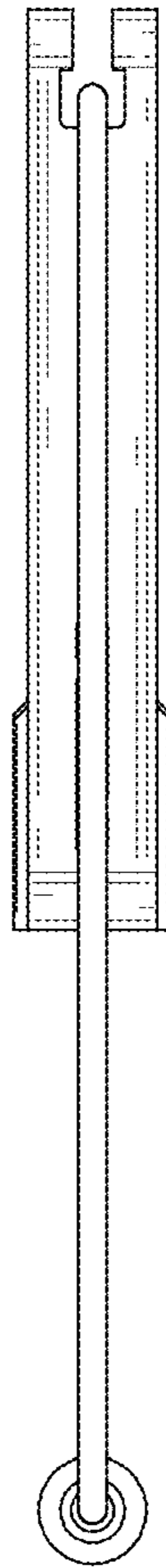


FIG. 5

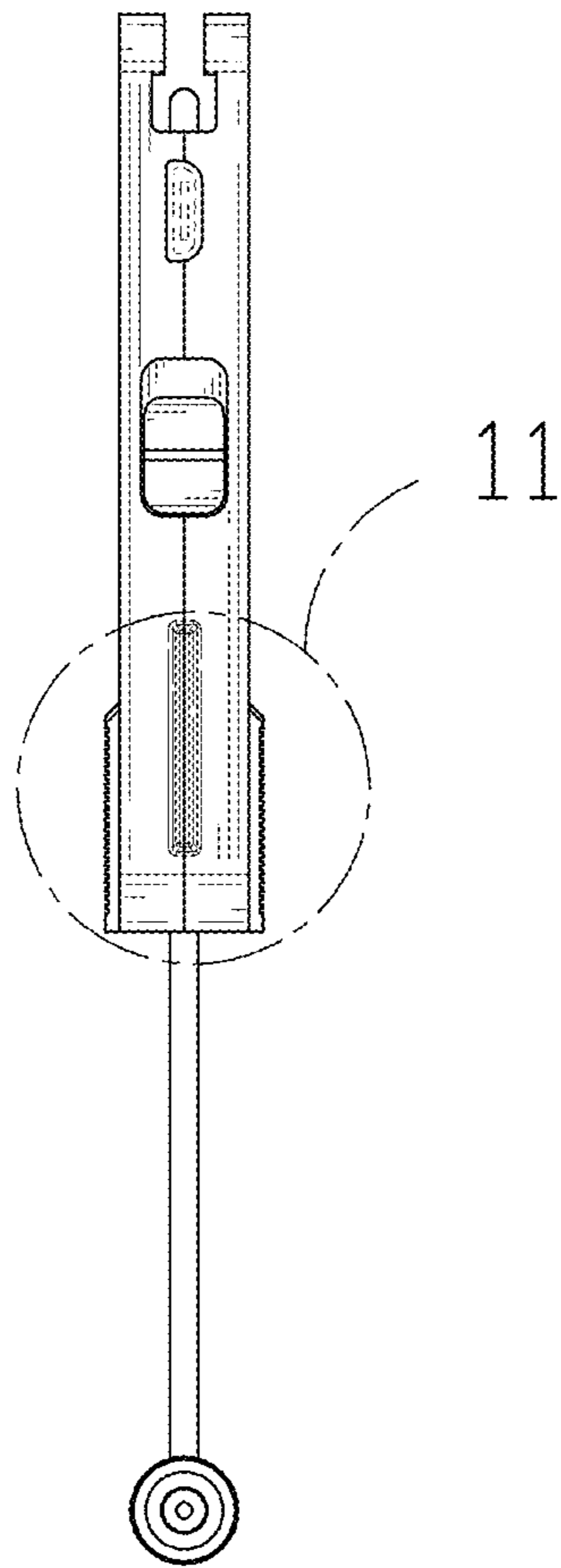


FIG. 6



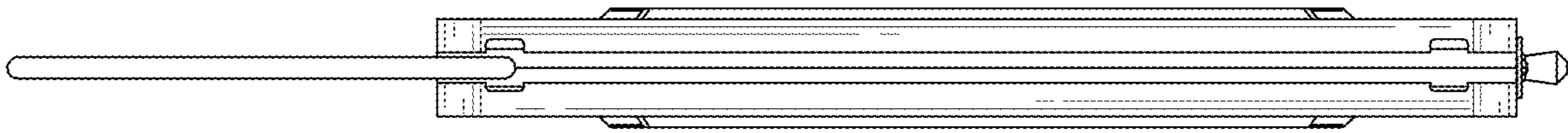


FIG. 7

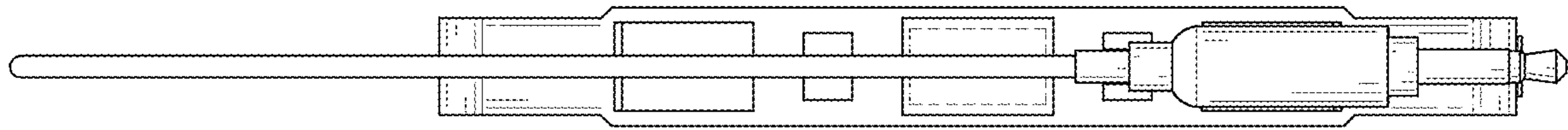


FIG. 8

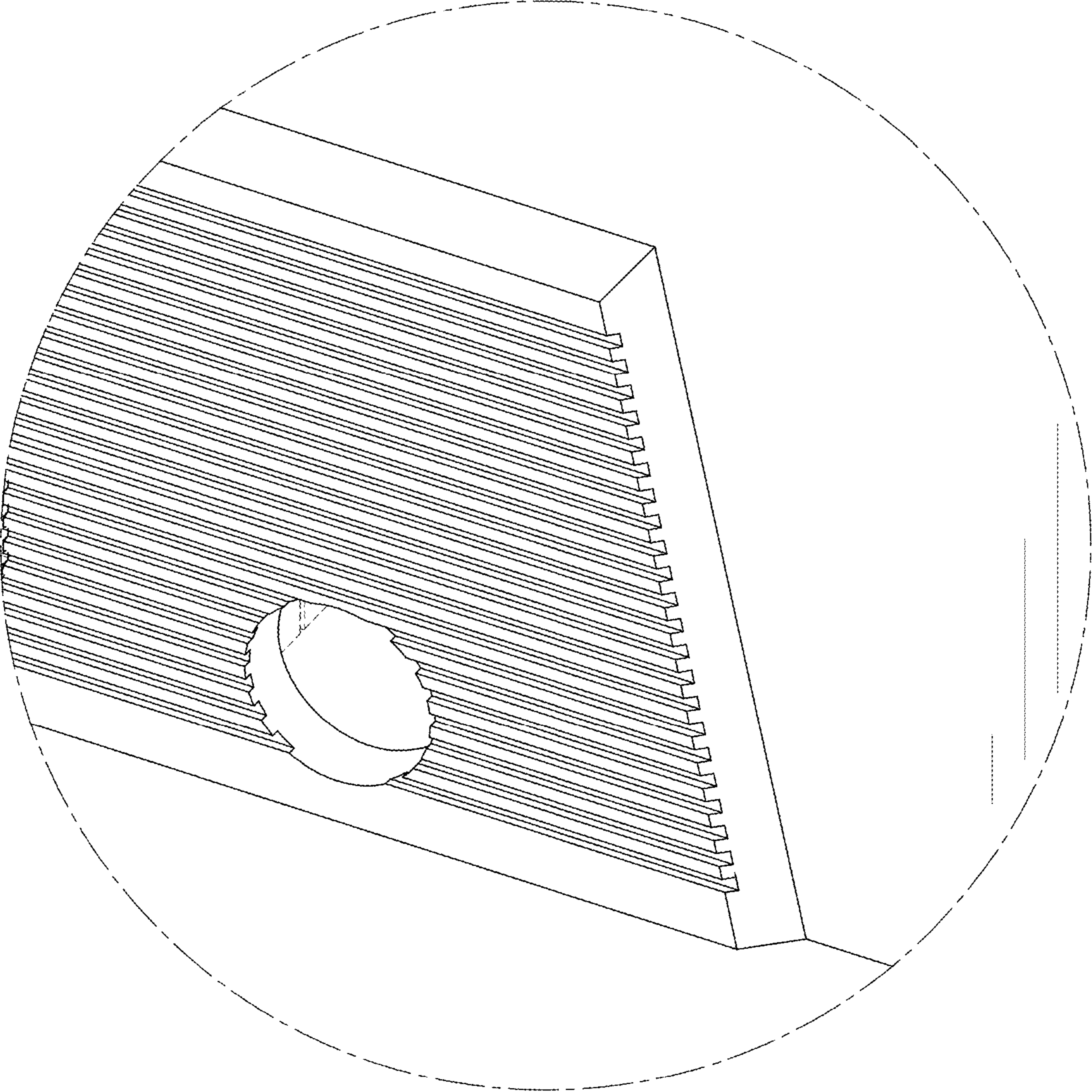


FIG. 9

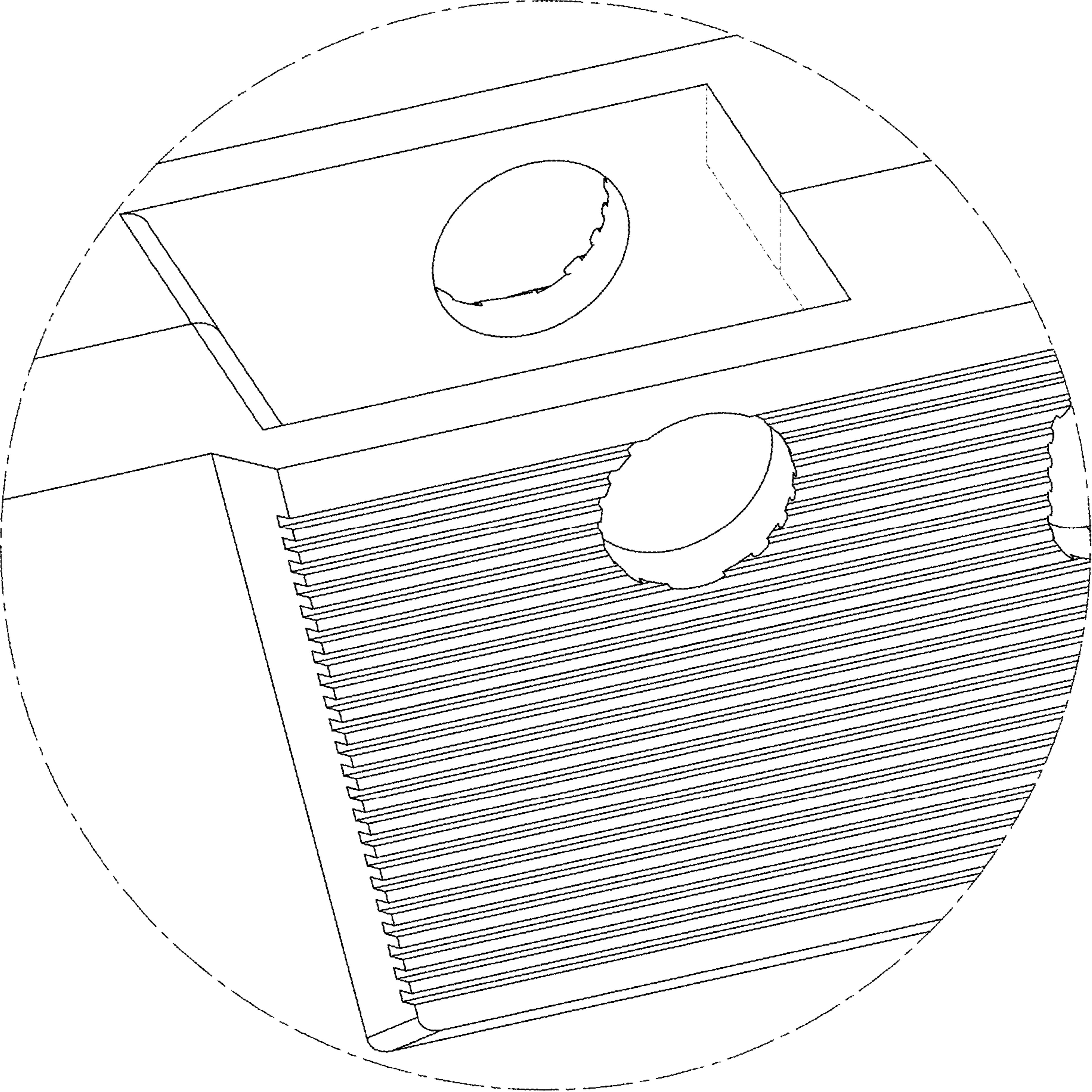


FIG. 10

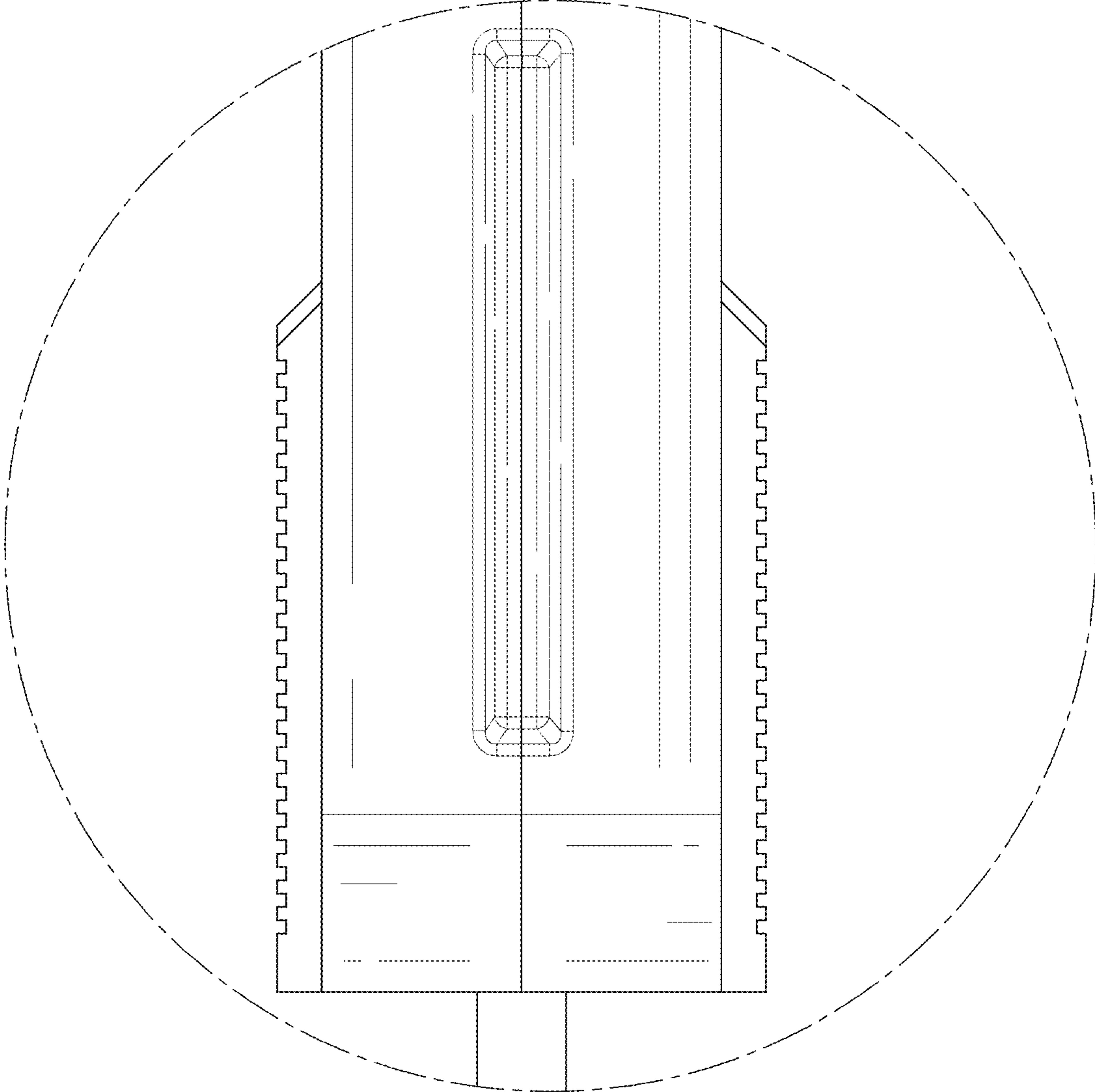


FIG. 11