



US00D956716S

(12) **United States Design Patent**
Huang

(10) **Patent No.:** **US D956,716 S**

(45) **Date of Patent:** **** Jul. 5, 2022**

- (54) **SPEAKER**
- (71) Applicant: **Kaisheng Huang**, Shenzhen (CN)
- (72) Inventor: **Kaisheng Huang**, Shenzhen (CN)
- (**) Term: **15 Years**
- (21) Appl. No.: **29/771,744**
- (22) Filed: **Feb. 25, 2021**
- (51) **LOC (13) Cl.** **14-01**
- (52) **U.S. Cl.**
USPC **D14/216**
- (58) **Field of Classification Search**
USPC D23/223, 229, 390, 411; D27/1, 26, 67,
D27/172, 183; D14/171, 888, 204, 211,
D14/214, 215, 358, 496, 509; D7/629;
D10/15, 40, 22, 104.1, 106.1
CPC . H04R 1/00; H04R 1/02; H02J 7/0042; G06F
1/1688
See application file for complete search history.

D752,199 S *	3/2016	Berkman	D23/370
D840,376 S *	2/2019	Sakata	D14/219
D849,683 S *	5/2019	Lee	D13/108
D850,370 S *	6/2019	Lee	D13/108
D866,518 S *	11/2019	Ding	D14/216
D883,256 S *	5/2020	Zeng	D14/219
D897,954 S *	10/2020	Wei	D13/108
D900,735 S *	11/2020	He	D13/108
D911,276 S *	2/2021	Li	D13/108
D924,196 S *	7/2021	Wang	D14/149
D934,194 S *	10/2021	Simonelli	D14/204
D947,119 S *	3/2022	Canham	D13/108

* cited by examiner

Primary Examiner — Khawaja Anwar
Assistant Examiner — Megan Tiana Rakos

(57) **CLAIM**

The ornamental design for a speaker, as shown and described.

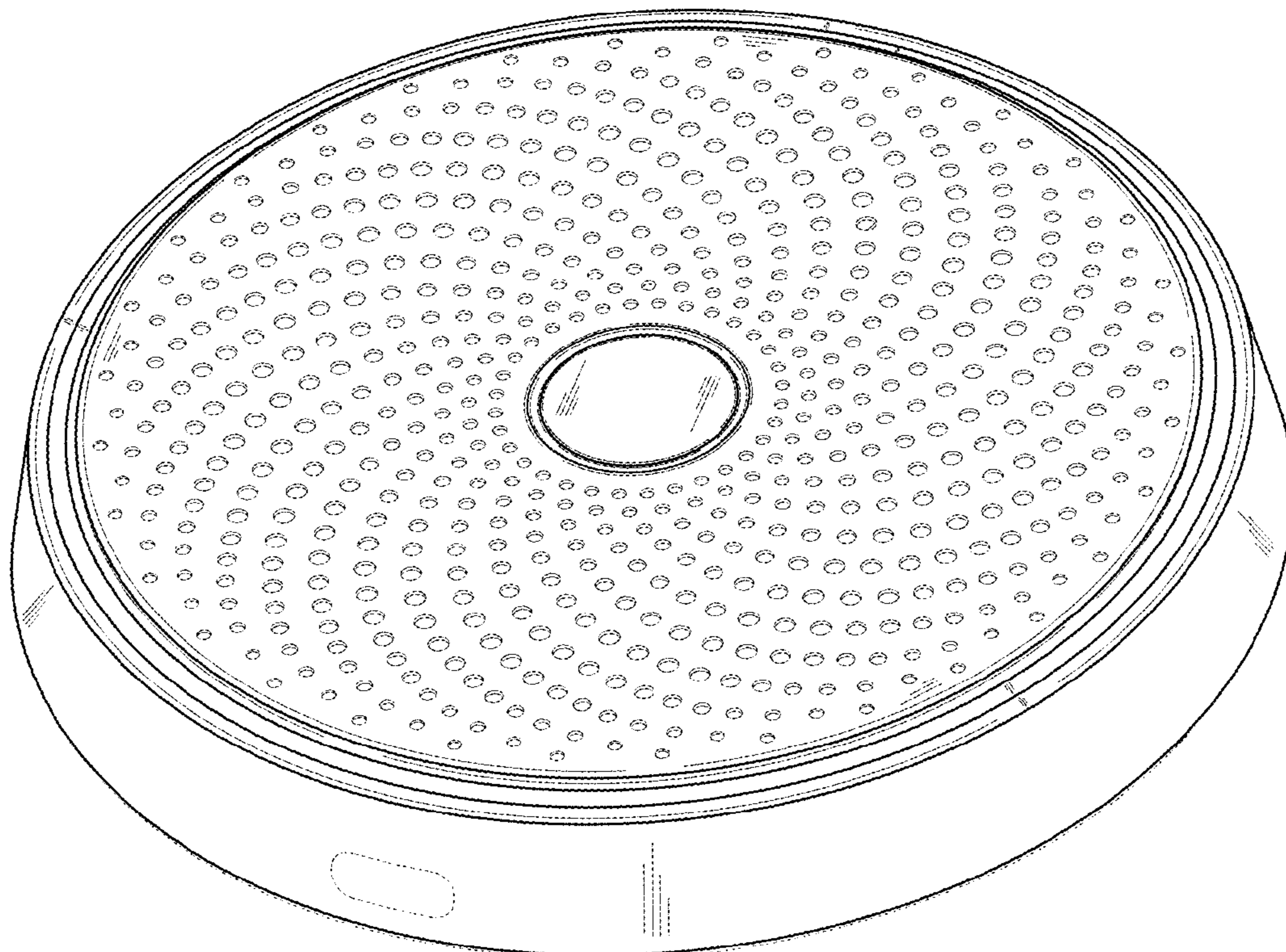
DESCRIPTION

FIG. 1 is a perspective view of a speaker showing my new design;
FIG. 2 is another perspective view thereof;
FIG. 3 is a front elevational view thereof;
FIG. 4 is a rear elevational view thereof;
FIG. 5 is a left side elevational view thereof;
FIG. 6 is a right side elevational view thereof;
FIG. 7 is a top plan view thereof; and,
FIG. 8 is a bottom plan view thereof.
The broken lines in the drawings depict portions of the speaker that form no part of the claimed design.

1 Claim, 8 Drawing Sheets

(56) **References Cited**
U.S. PATENT DOCUMENTS

D323,327 S *	1/1992	Davidson	D14/219
D537,072 S *	2/2007	Kim	D14/215
D560,209 S *	1/2008	Kim	D14/215
D615,068 S *	5/2010	Yuasa	D14/216
D691,589 S *	10/2013	Ishinabe	D14/219
D694,182 S *	11/2013	Lee	D13/108
D718,234 S *	11/2014	Rautiainen	D13/108
D718,236 S *	11/2014	Murray	D13/108



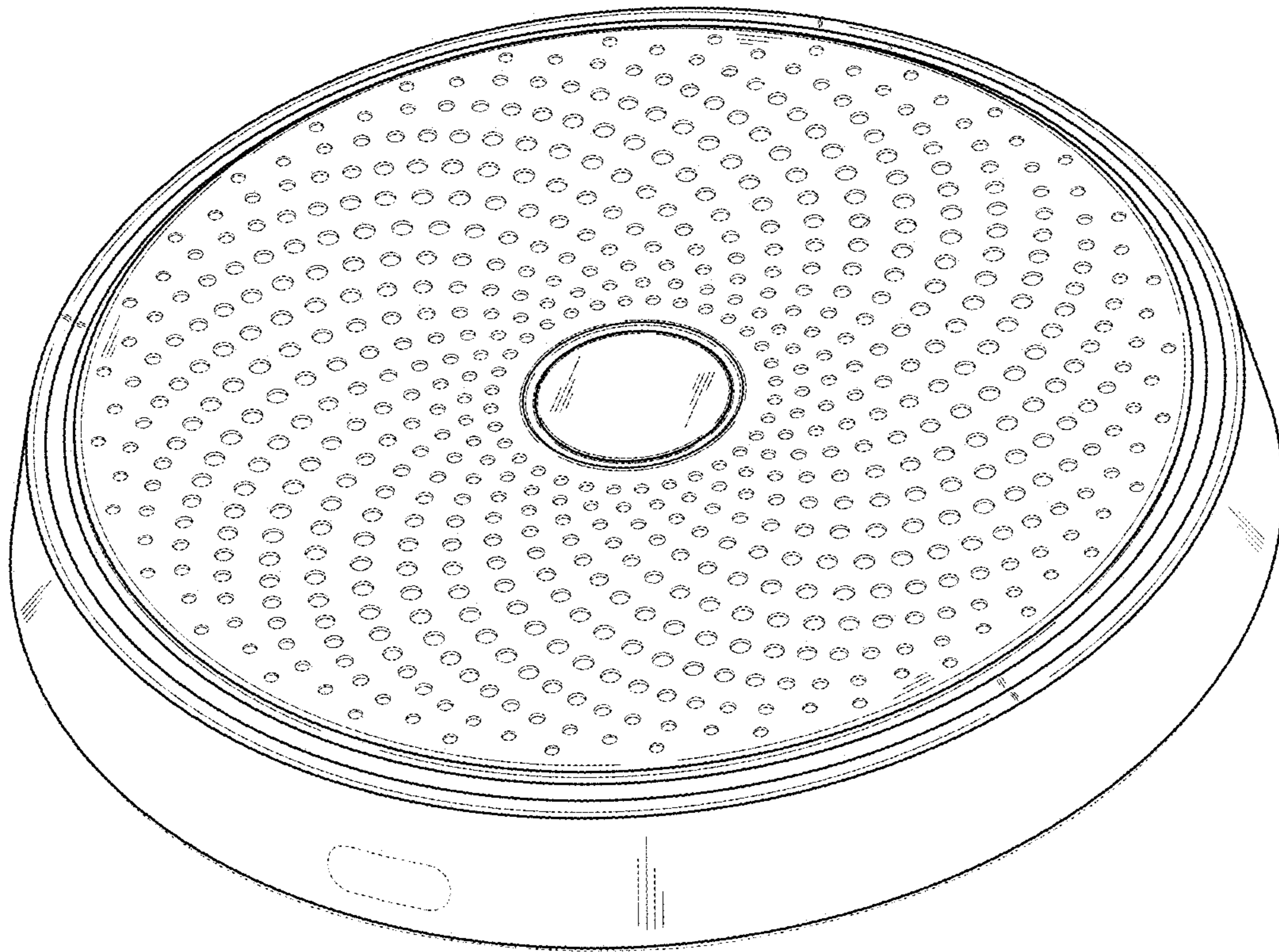


FIG. 1

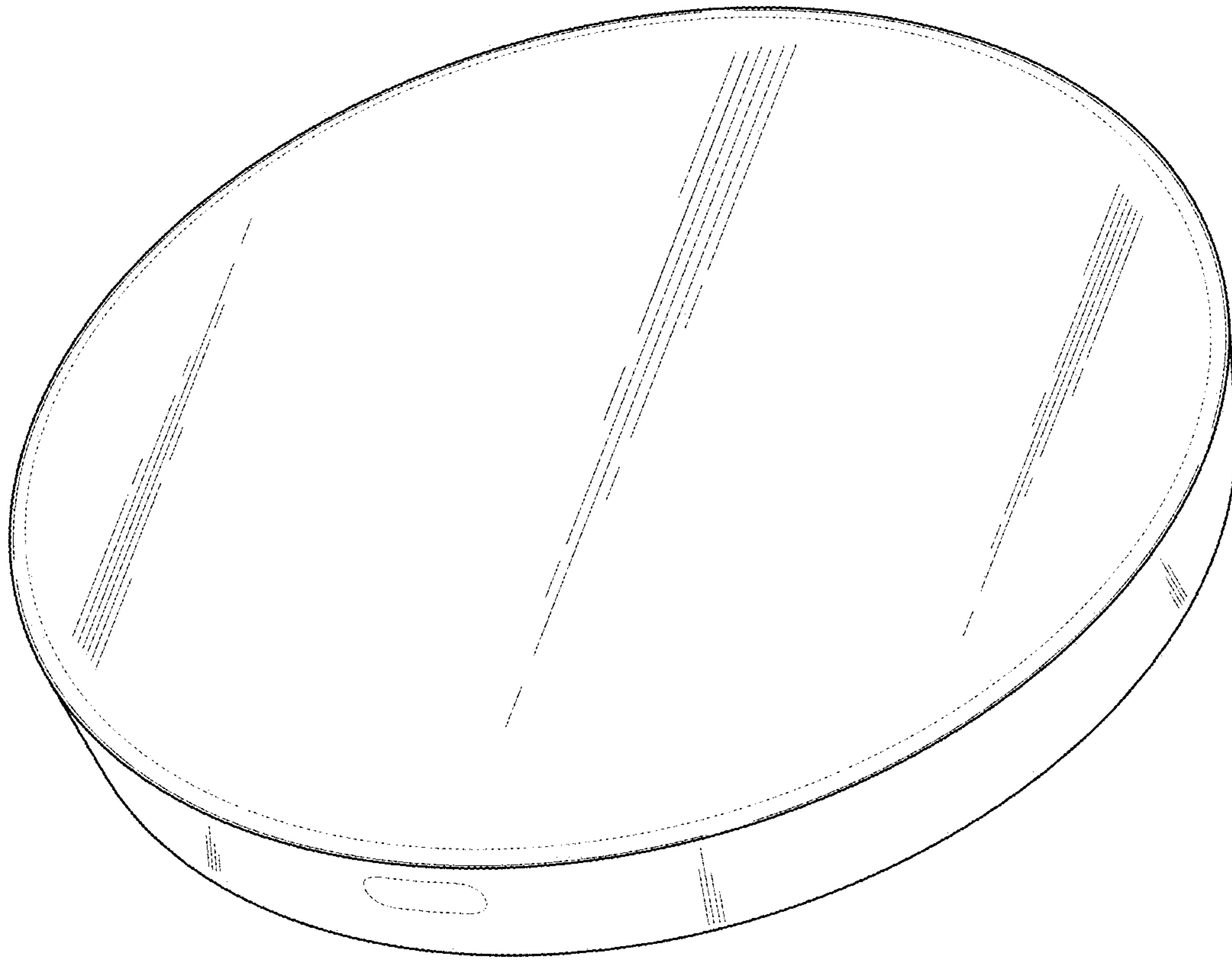


FIG. 2

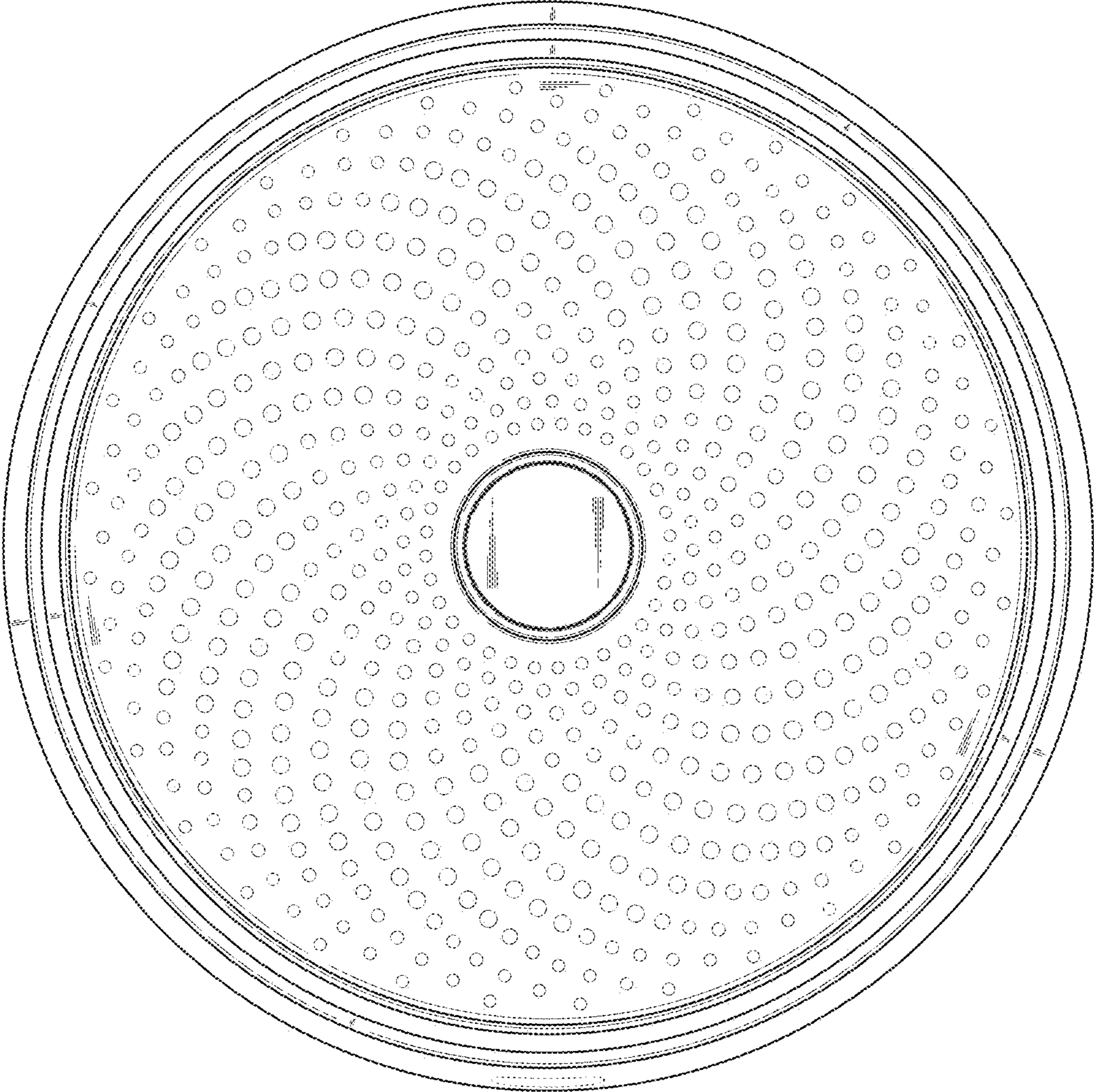


FIG. 3

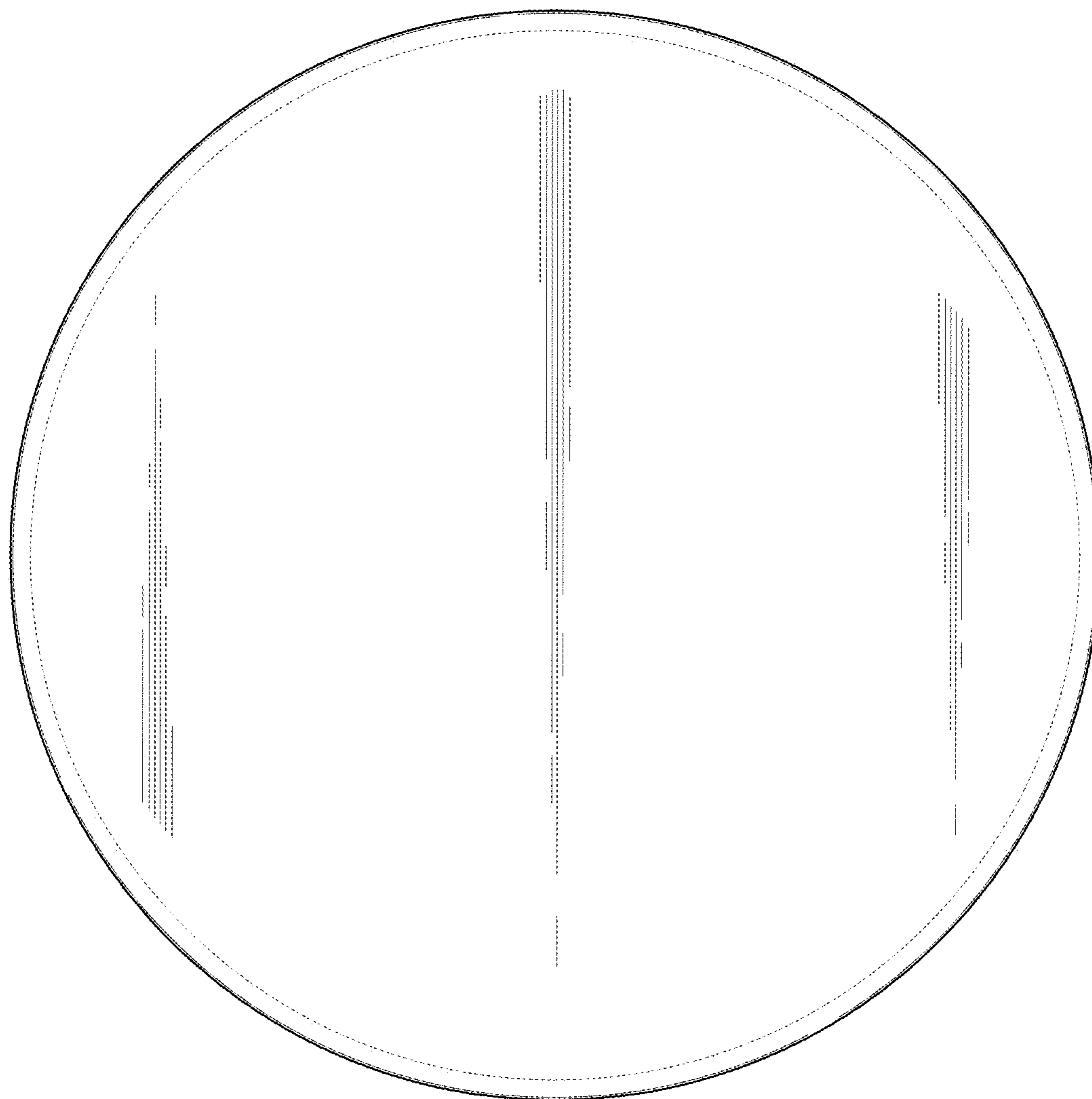


FIG. 4

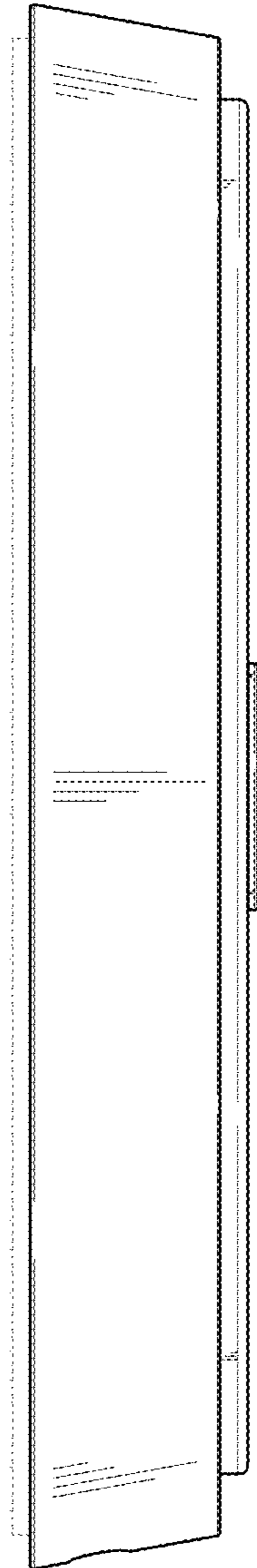


FIG. 5

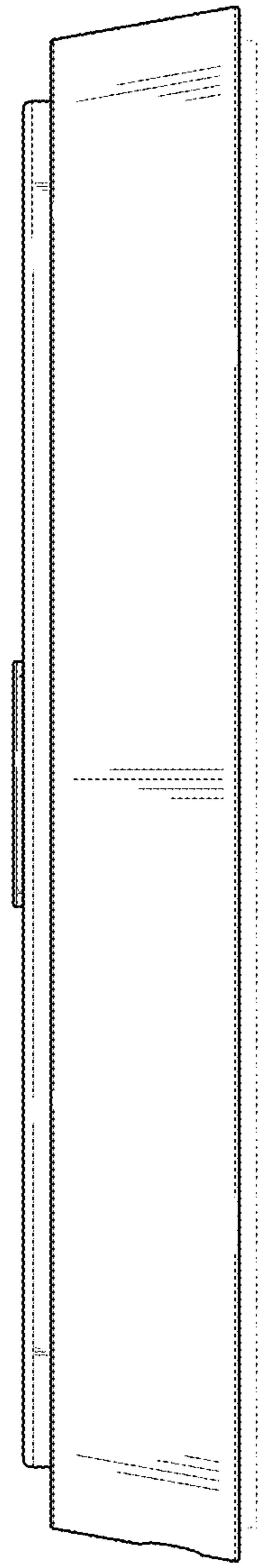


FIG. 6

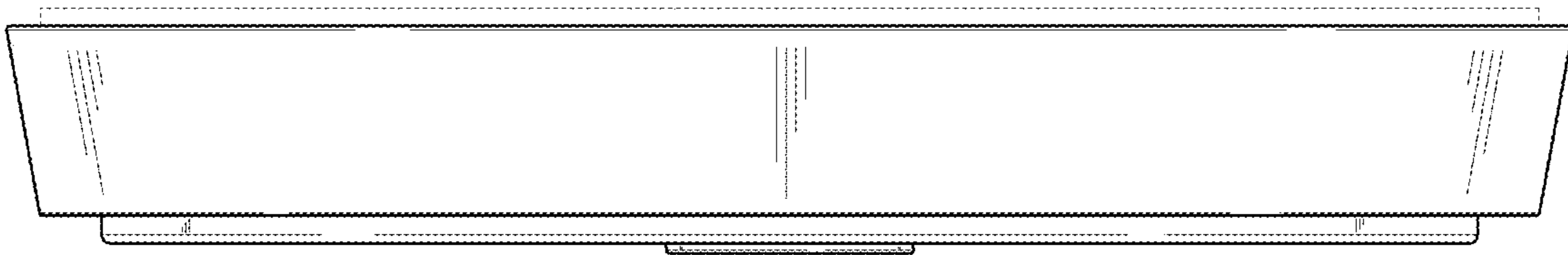


FIG. 7

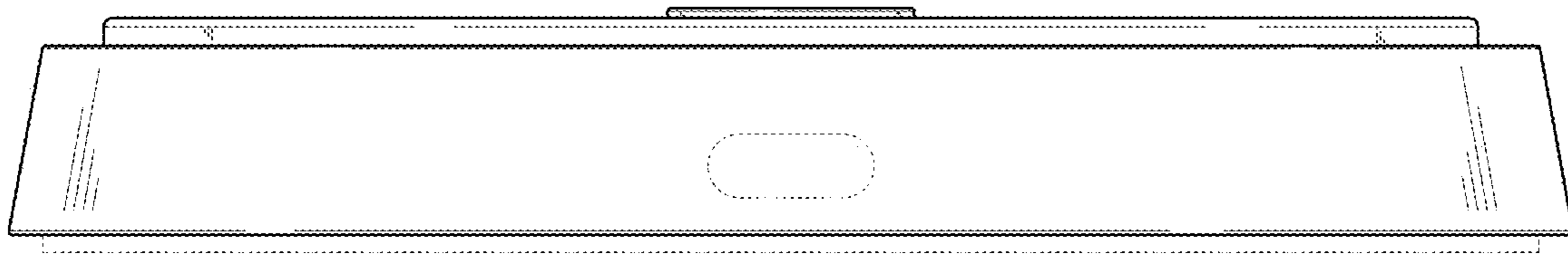


FIG. 8