



US00D956711S

(12) **United States Design Patent** (10) **Patent No.:** **US D956,711 S**  
**Hong** (45) **Date of Patent:** **\*\* Jul. 5, 2022**

(54) **WALKIE TALKIE**

OTHER PUBLICATIONS

(71) Applicant: **Jianmin Hong**, Nan'an (CN)

Retevis RT29 2 Way Radios, Date First Available: May 30, 2018, [online], [retrieved on Mar. 15, 2022]. Retrieved from Internet, <URL: [https://www.amazon.com/Retevis-Radios-3200mAh-Encryption-Talkies/dp/B07DFM8GLC/ref=sr\\_1\\_19?crd=1XUKGFLR9O5J3&keywords=walkie%2Btalkies&qid=1647358019&prefix=walkie%2Btalkies%2Caps%2C171&sr=8-19&th=1](https://www.amazon.com/Retevis-Radios-3200mAh-Encryption-Talkies/dp/B07DFM8GLC/ref=sr_1_19?crd=1XUKGFLR9O5J3&keywords=walkie%2Btalkies&qid=1647358019&prefix=walkie%2Btalkies%2Caps%2C171&sr=8-19&th=1)>.

(72) Inventor: **Jianmin Hong**, Nan'an (CN)

Long Distance Walkie Talkie, Date First Available: Sep. 1, 2021, [online], [retrieved on Mar. 15, 2022]. Retrieved from Internet, <URL: [https://www.amazon.com/Distance-Talkies-Rechargeable-Batteries-Charger%EF%BC%886PACK%EF%BC%89/dp/B09F69MMRC/ref=sr\\_1\\_43\\_sspa?crd=1XUKGFLR9O5J3&keywords=walkie%2Btalkies&qid=1647](https://www.amazon.com/Distance-Talkies-Rechargeable-Batteries-Charger%EF%BC%886PACK%EF%BC%89/dp/B09F69MMRC/ref=sr_1_43_sspa?crd=1XUKGFLR9O5J3&keywords=walkie%2Btalkies&qid=1647)>.

(\*\*) Term: **15 Years**

(21) Appl. No.: **29/769,037**

(22) Filed: **Feb. 3, 2021**

(51) **LOC (13) Cl.** ..... **14-03**

(52) **U.S. Cl.**  
USPC ..... **D14/137**

(58) **Field of Classification Search**  
USPC ..... D14/137, 138 R, 138 AA, 138 AD;  
D10/104.1  
CPC .. H04B 1/3833; H04B 1/3827; H04B 1/3855;  
H04B 2001/3861; H04M 1/0202; H04M  
1/03; H04M 1/035

See application file for complete search history.

\* cited by examiner

*Primary Examiner* — Bridget L Eland

(57) **CLAIM**

The ornamental design for a walkie talkie, as shown and described.

**DESCRIPTION**

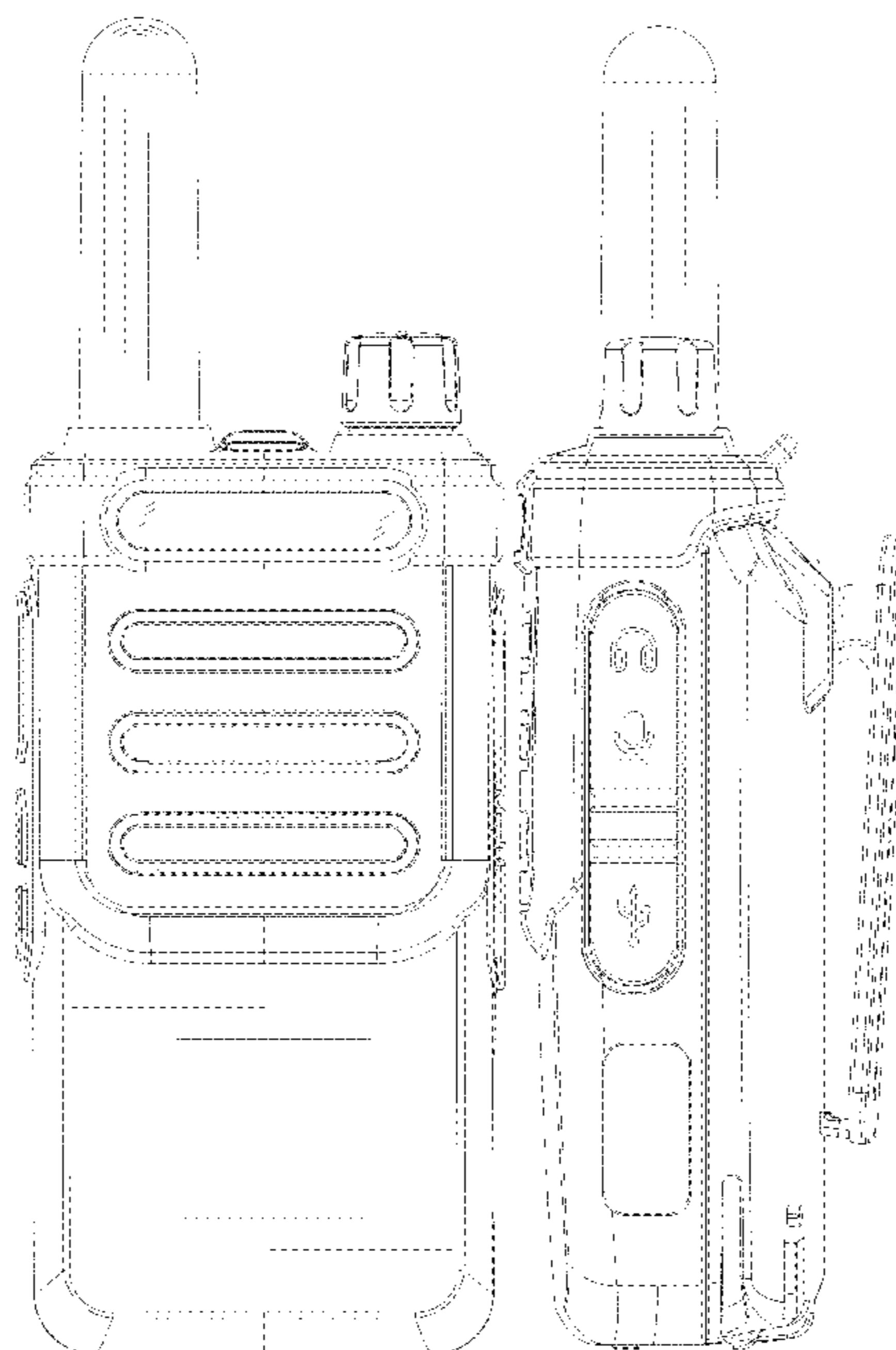
(56) **References Cited**

U.S. PATENT DOCUMENTS

|              |    |   |         |         |       |                        |
|--------------|----|---|---------|---------|-------|------------------------|
| D616,845     | S  | * | 6/2010  | Xia     | ..... | D14/137                |
| D653,637     | S  | * | 2/2012  | Ismail  | ..... | D14/137                |
| D711,346     | S  | * | 8/2014  | Ismail  | ..... | D14/137                |
| D717,258     | S  | * | 11/2014 | Garra   | ..... | D14/137                |
| D717,259     | S  | * | 11/2014 | Ooi     | ..... | D14/137                |
| D721,050     | S  | * | 1/2015  | Kaner   | ..... | D14/137                |
| D752,536     | S  | * | 3/2016  | Ooi     | ..... | D14/137                |
| D752,537     | S  | * | 3/2016  | Oikawa  | ..... | D14/137                |
| D754,088     | S  | * | 4/2016  | Ooi     | ..... | D14/137                |
| D796,466     | S  | * | 9/2017  | Sakata  | ..... | D14/137                |
| D878,316     | S  | * | 3/2020  | Duman   | ..... | D14/137                |
| D927,442     | S  | * | 8/2021  | Hong    | ..... | D14/137                |
| 2010/0330935 | A1 | * | 12/2010 | Maggert | ..... | H01R 43/24<br>455/90.3 |

FIG. 1 is a front elevational view of a walkie talkie showing my new design;  
FIG. 2 is a rear elevational view thereof;  
FIG. 3 is a left side view thereof;  
FIG. 4 is a right side view thereof;  
FIG. 5 is a top plan view thereof;  
FIG. 6 is a bottom plan view thereof;  
FIG. 7 is a top, front, left side perspective view thereof;  
FIG. 8 is a bottom, rear, left side perspective view thereof;  
and,  
FIG. 9 is a top, front, right side perspective view thereof.  
The broken lines illustrate portions of the walkie talkie that form no part of the claimed design.

**1 Claim, 8 Drawing Sheets**



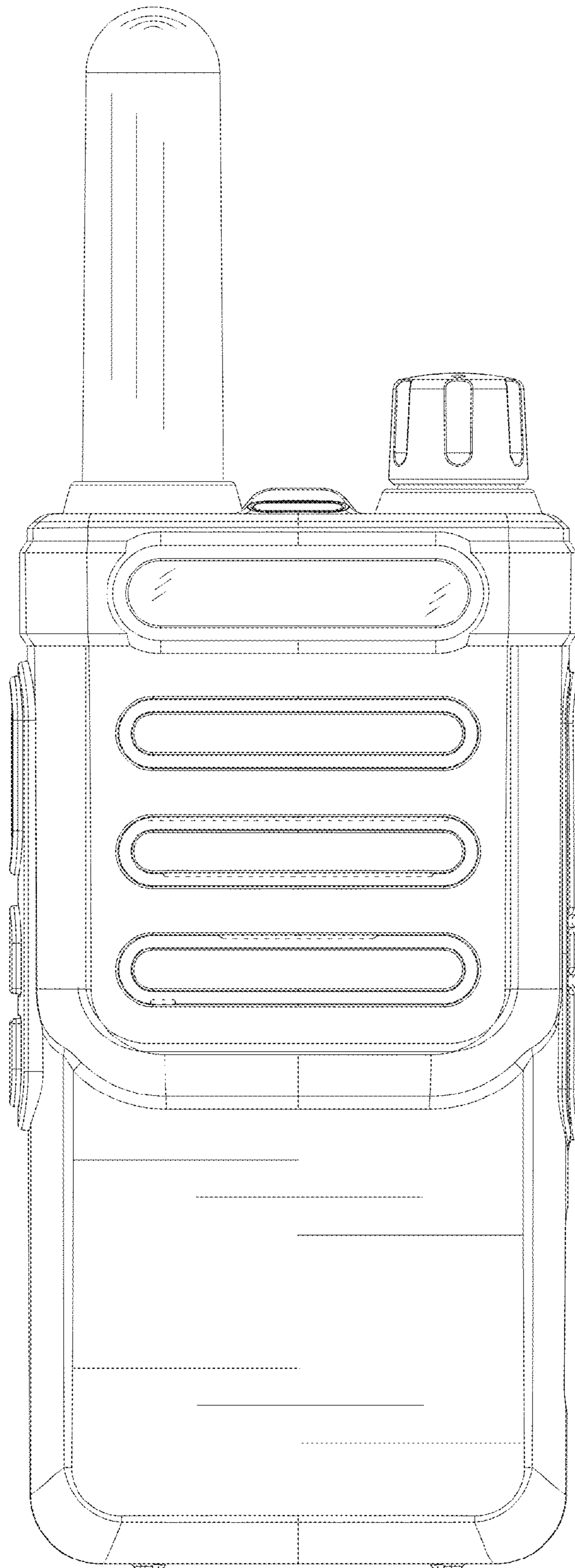


FIG. 1

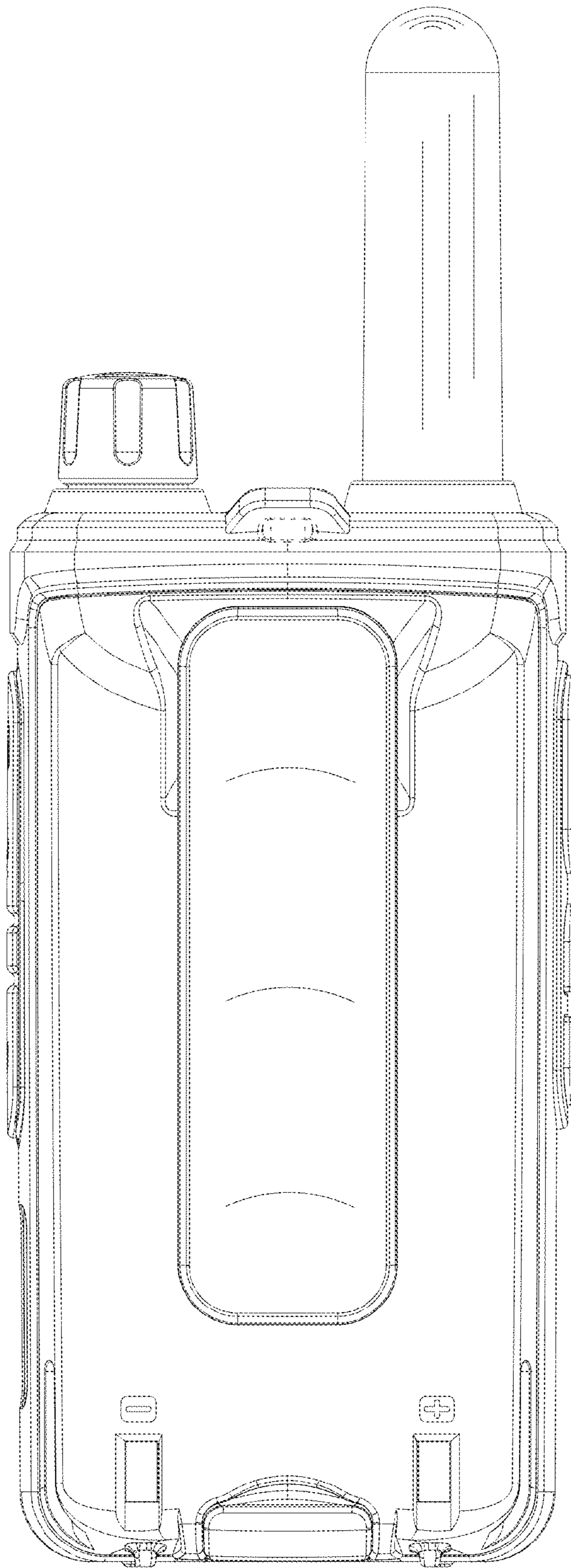


FIG. 2

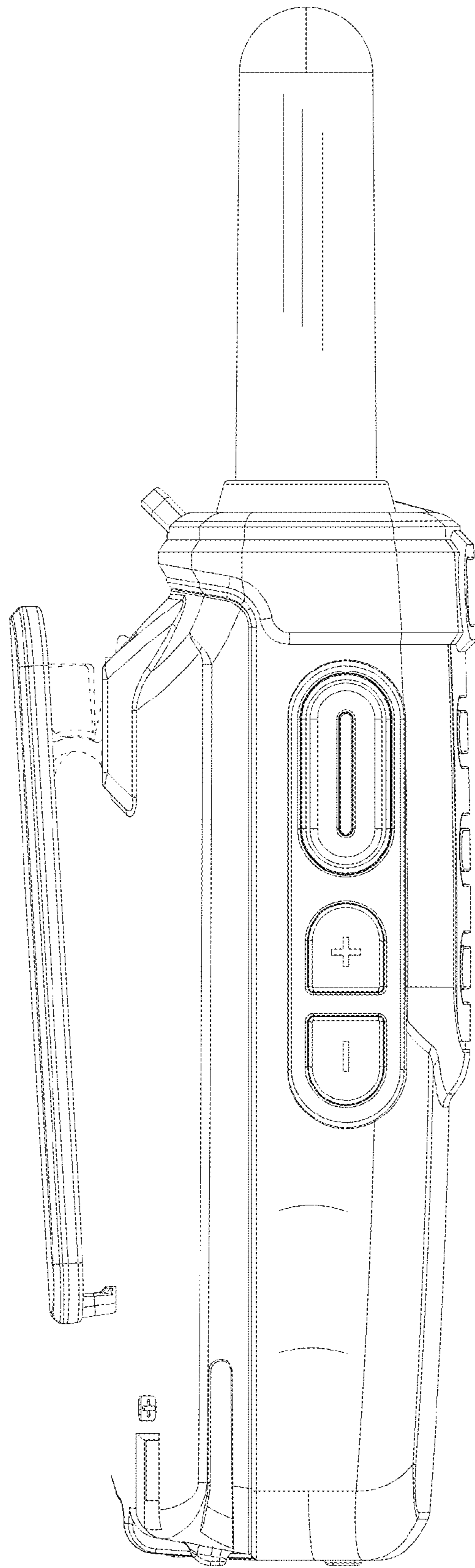


FIG. 3



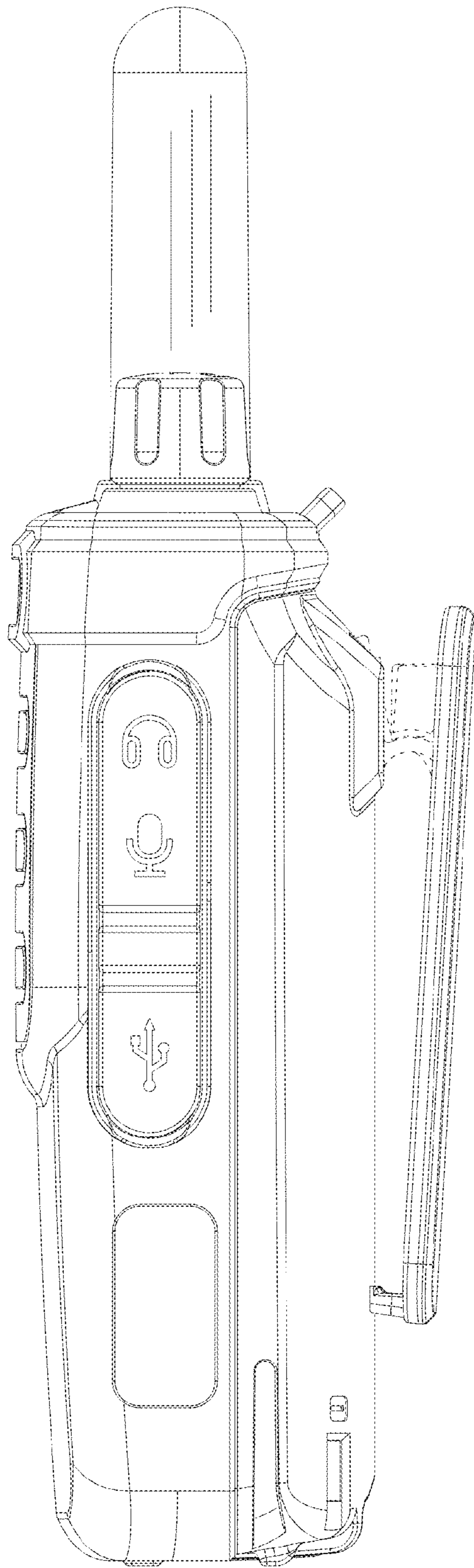


FIG. 4

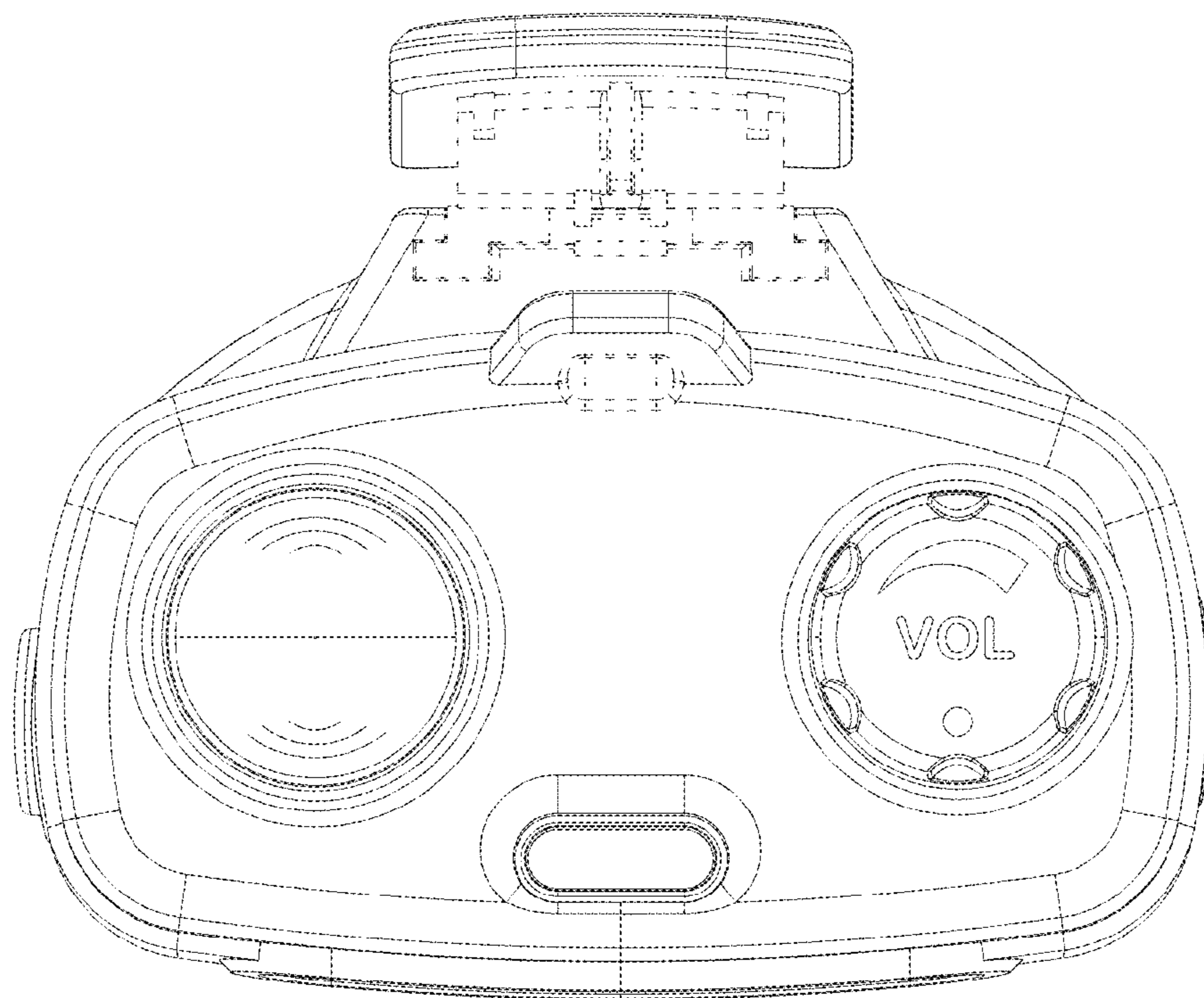


FIG. 5

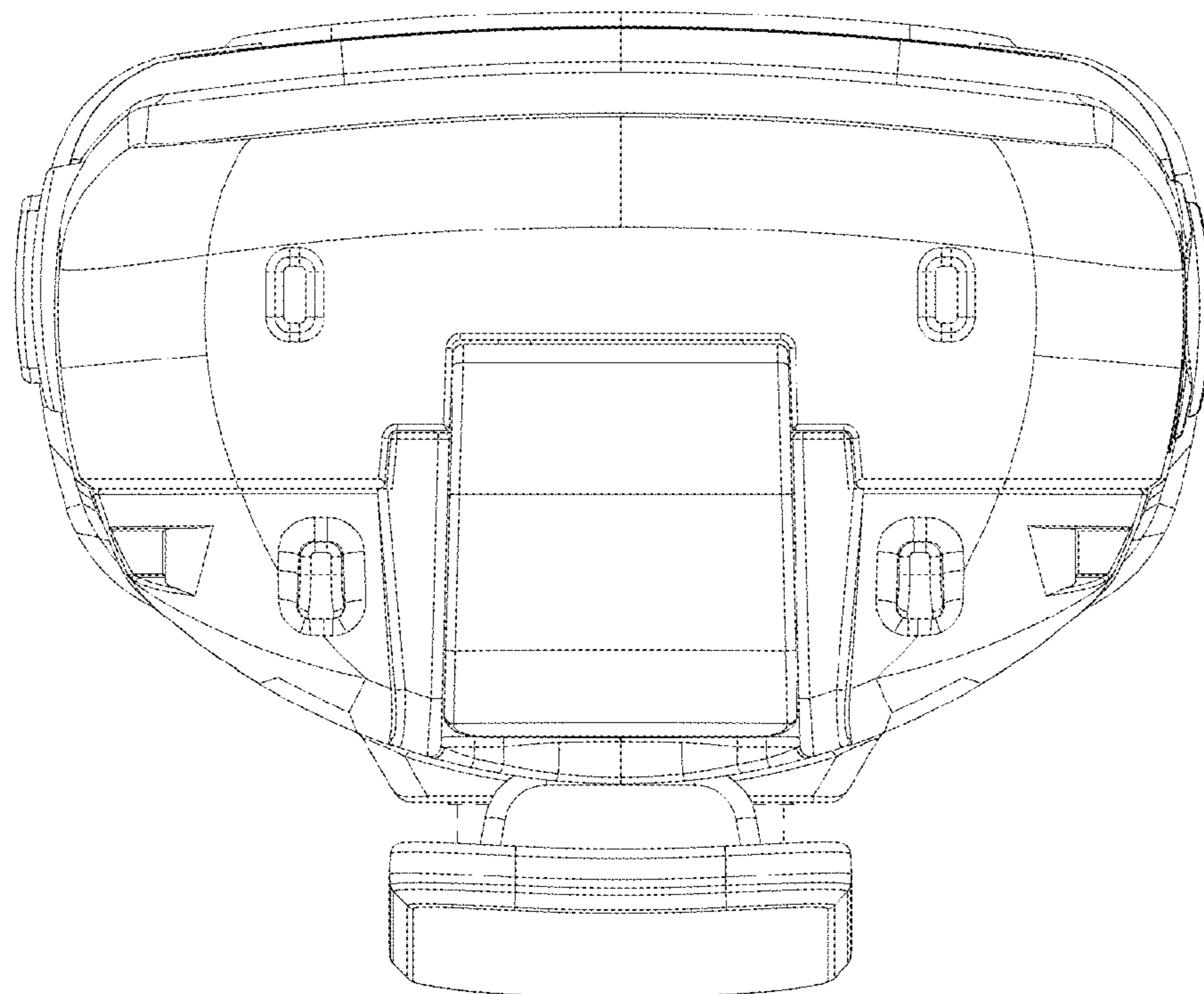


FIG. 6

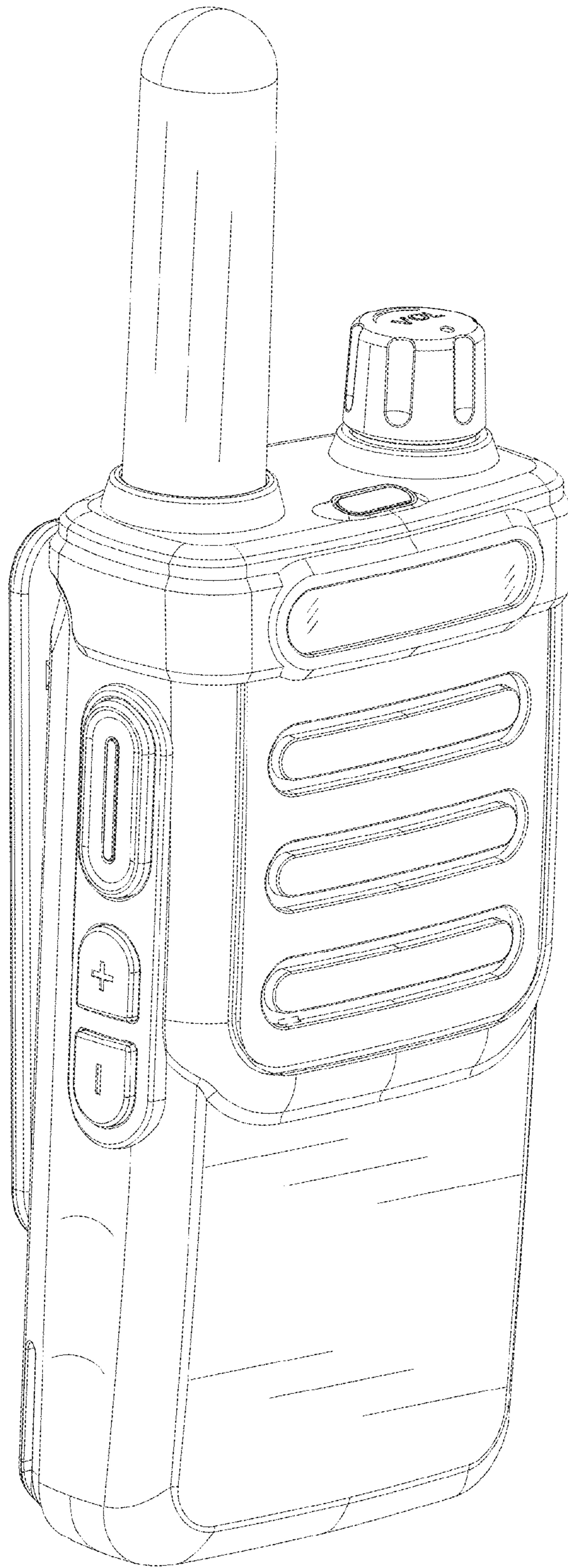


FIG. 7

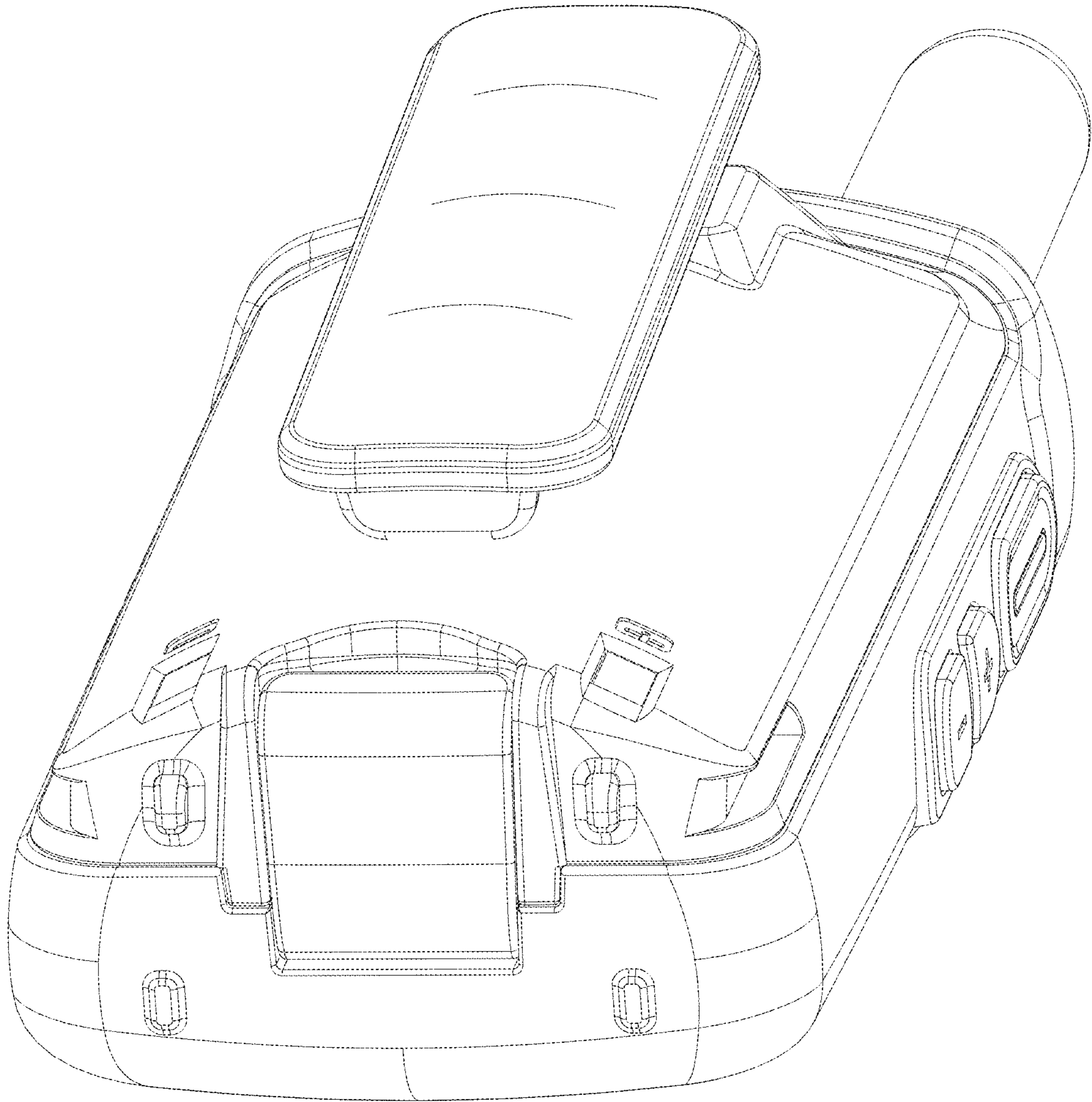


FIG. 8





FIG. 9