



US00D956709S

(12) **United States Design Patent**
Lin et al.

(10) **Patent No.:** **US D956,709 S**
(45) **Date of Patent:** **** Jul. 5, 2022**

(54) **MAGNETIC PART FOR MAGNETIC CONNECTOR**

(71) Applicant: **Cheng Uei Precision Industry Co., Ltd.**, New Taipei (TW)
(72) Inventors: **Chuan-Hung Lin**, New Taipei (TW); **Sheng-Nan Yu**, New Taipei (TW)
(73) Assignee: **CHENG UEI PRECISION INDUSTRY CO., LTD.**, New Taipei (TW)

(**) Term: **15 Years**

(21) Appl. No.: **29/711,030**

(22) Filed: **Oct. 28, 2019**

(51) **LOC (13) Cl.** **13-99**

(52) **U.S. Cl.**
USPC **D13/183; D13/117**

(58) **Field of Classification Search**
USPC D13/101, 110, 117, 118, 122, 133, 179, D13/183, 199; D21/386, 484, 491, 497, D21/500, 503
CPC H01F 27/02; H01F 27/04; H01F 27/24; H01F 27/26; H01F 27/28; H01F 27/29; H01F 27/292; H01F 27/325; H01F 41/06; H01F 41/0246; H02K 5/16; H02M 3/28
See application file for complete search history.

(56) **References Cited**

U.S. PATENT DOCUMENTS

2,659,163 A * 11/1953 Albee A63F 9/0666 273/273
D330,189 S * 10/1992 Burrow D13/118
D330,541 S * 10/1992 Burrow D13/118
8,242,870 B1 * 8/2012 Folker H01F 27/255 336/83
D796,438 S * 9/2017 Kakuda D13/117
D830,972 S * 10/2018 Numajiri D13/117
2017/0309390 A1 * 10/2017 Yao H01F 41/0206
* cited by examiner

Primary Examiner — Derrick E Holland
(74) *Attorney, Agent, or Firm* — Cheng-Ju Chiang

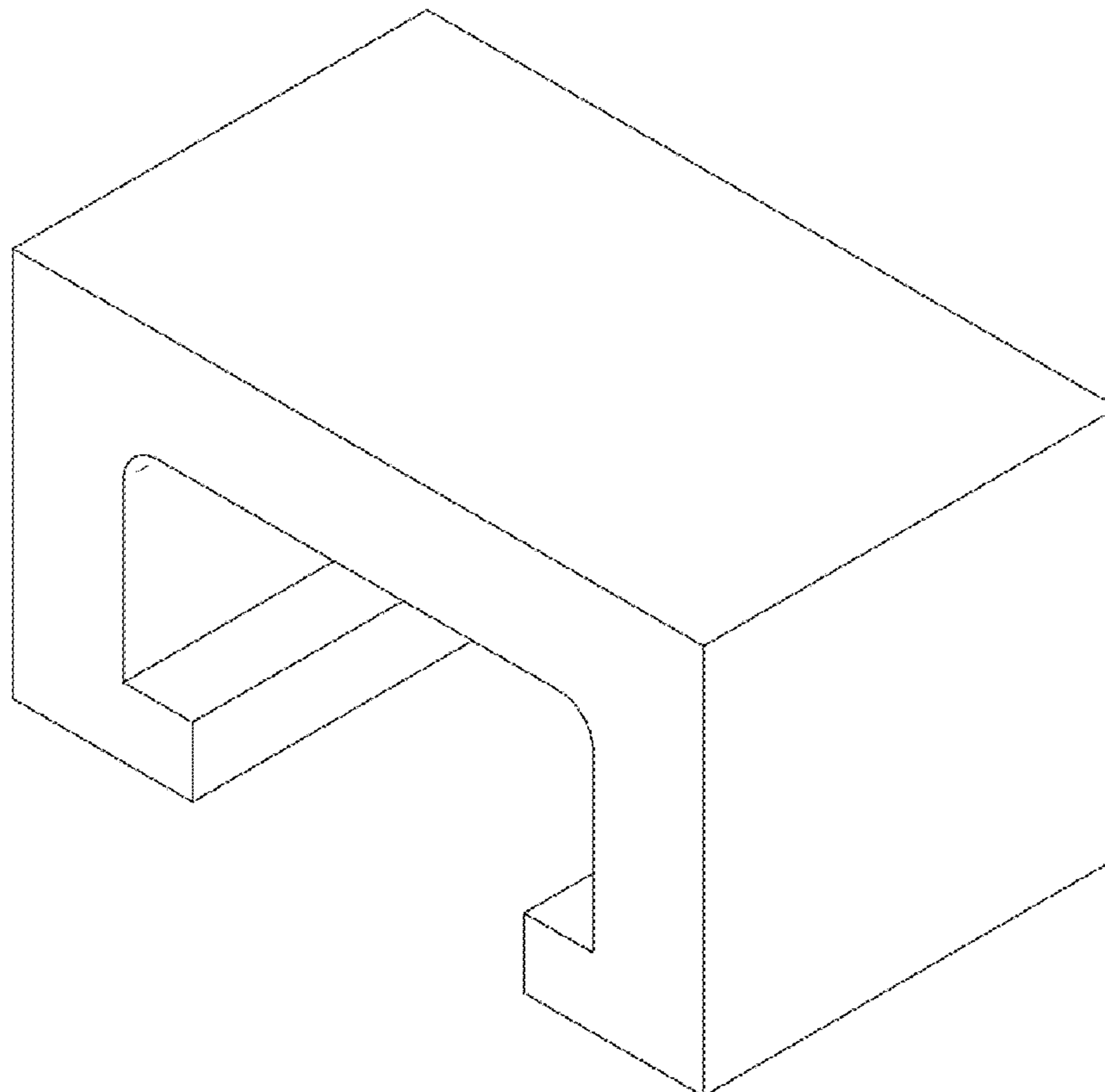
(57) **CLAIM**

The ornamental design for a magnetic part for magnetic connector, as shown and described.

DESCRIPTION

FIG. 1 is a perspective view of a magnetic part for magnetic connector showing our new design;
FIG. 2 is a front elevational view thereof;
FIG. 3 is a rear elevational view thereof;
FIG. 4 is a left side elevational view thereof;
FIG. 5 is a right side elevational view thereof;
FIG. 6 is a top plan view thereof; and,
FIG. 7 is a bottom plan view thereof.

1 Claim, 7 Drawing Sheets



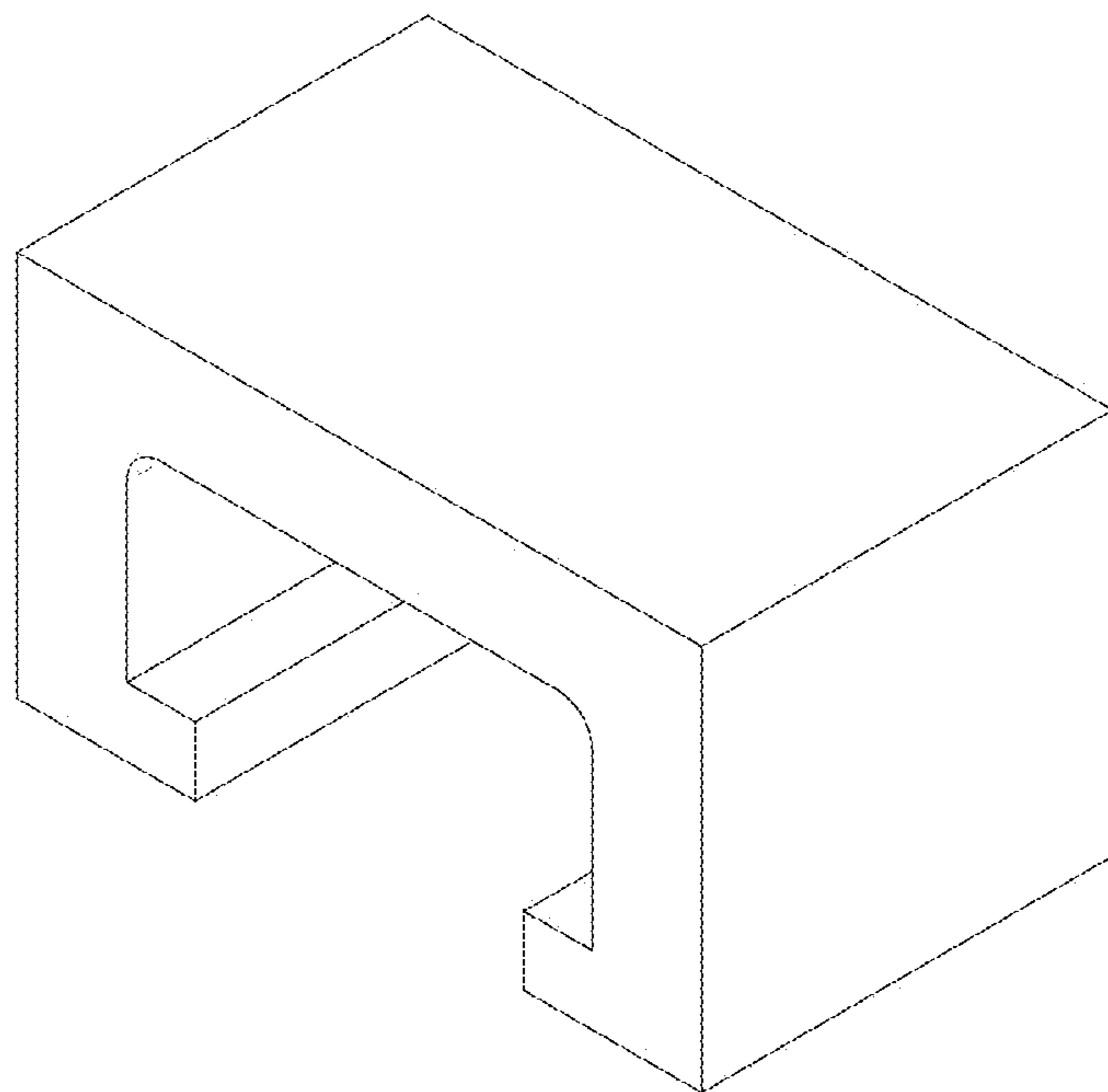


Fig. 1

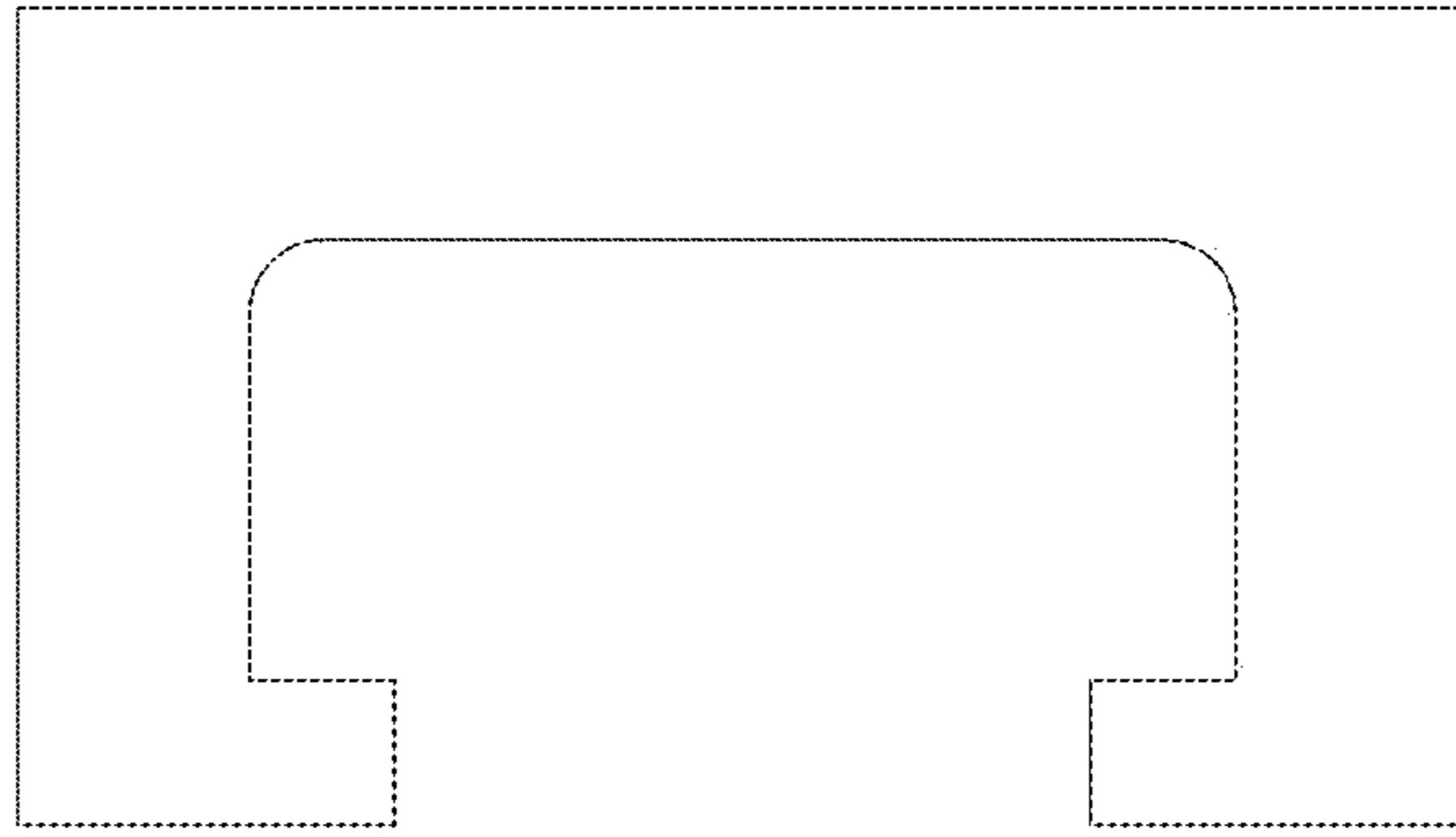


Fig. 2

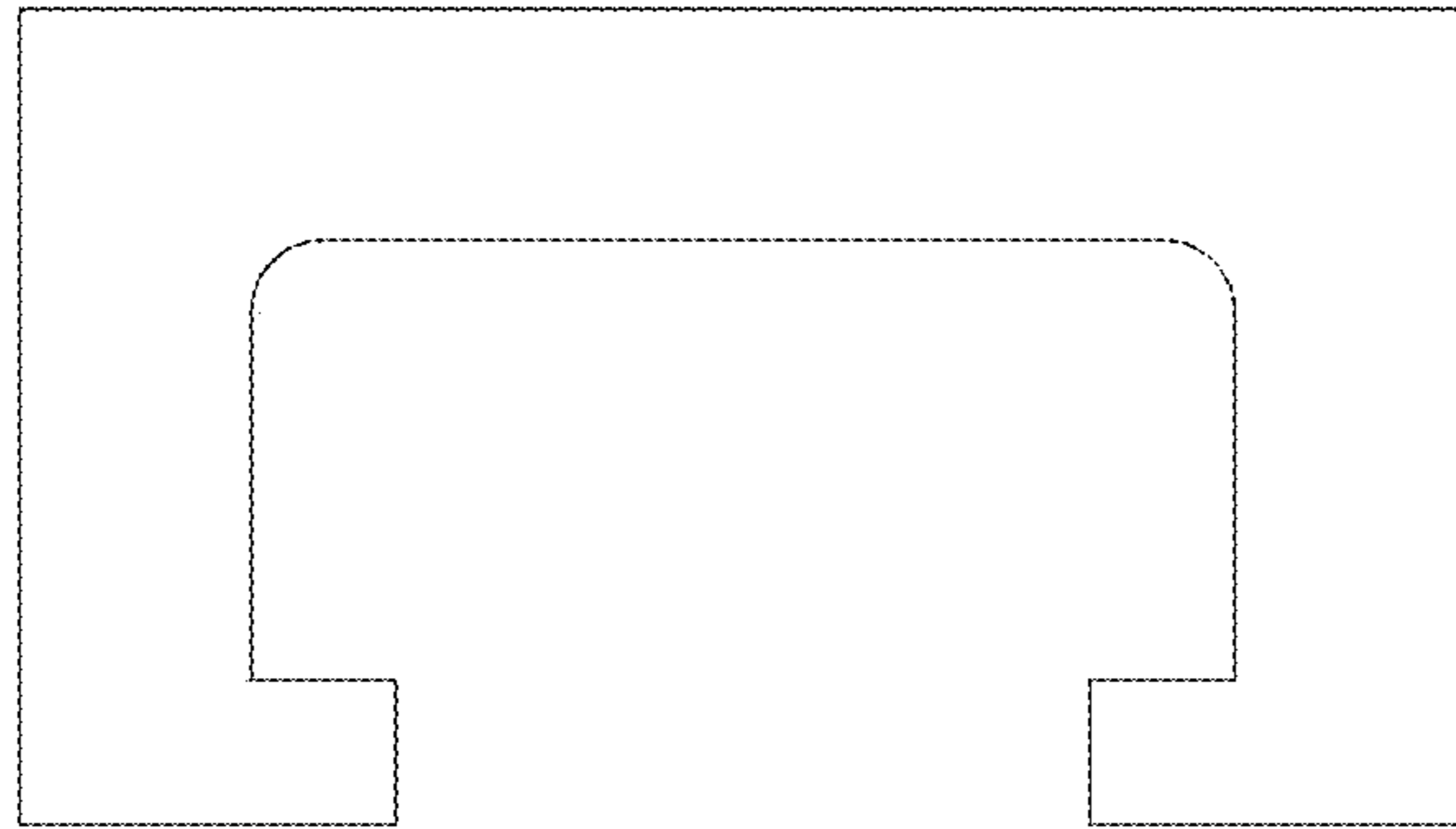


Fig. 3



Fig. 4

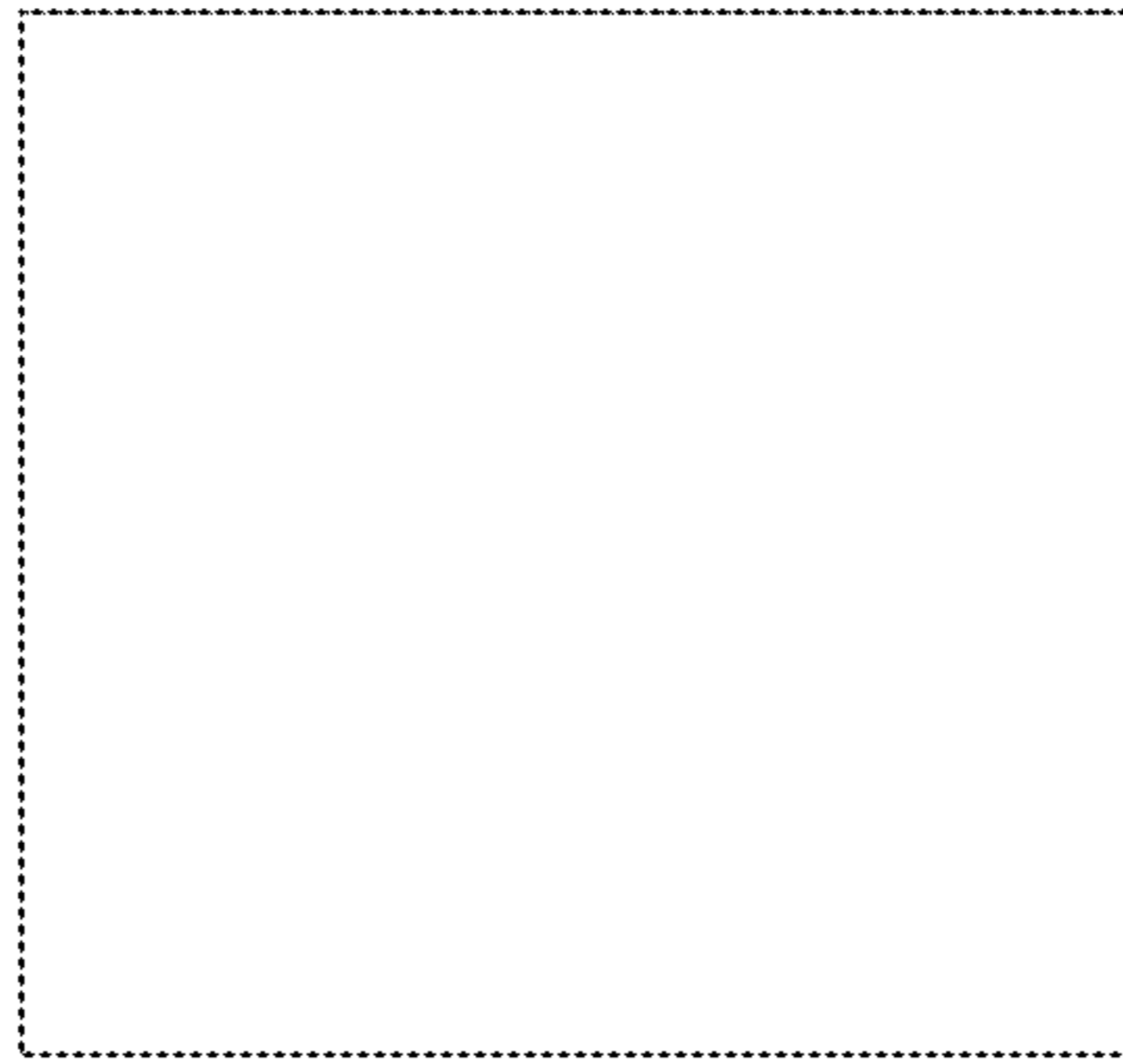


Fig. 5



Fig. 6

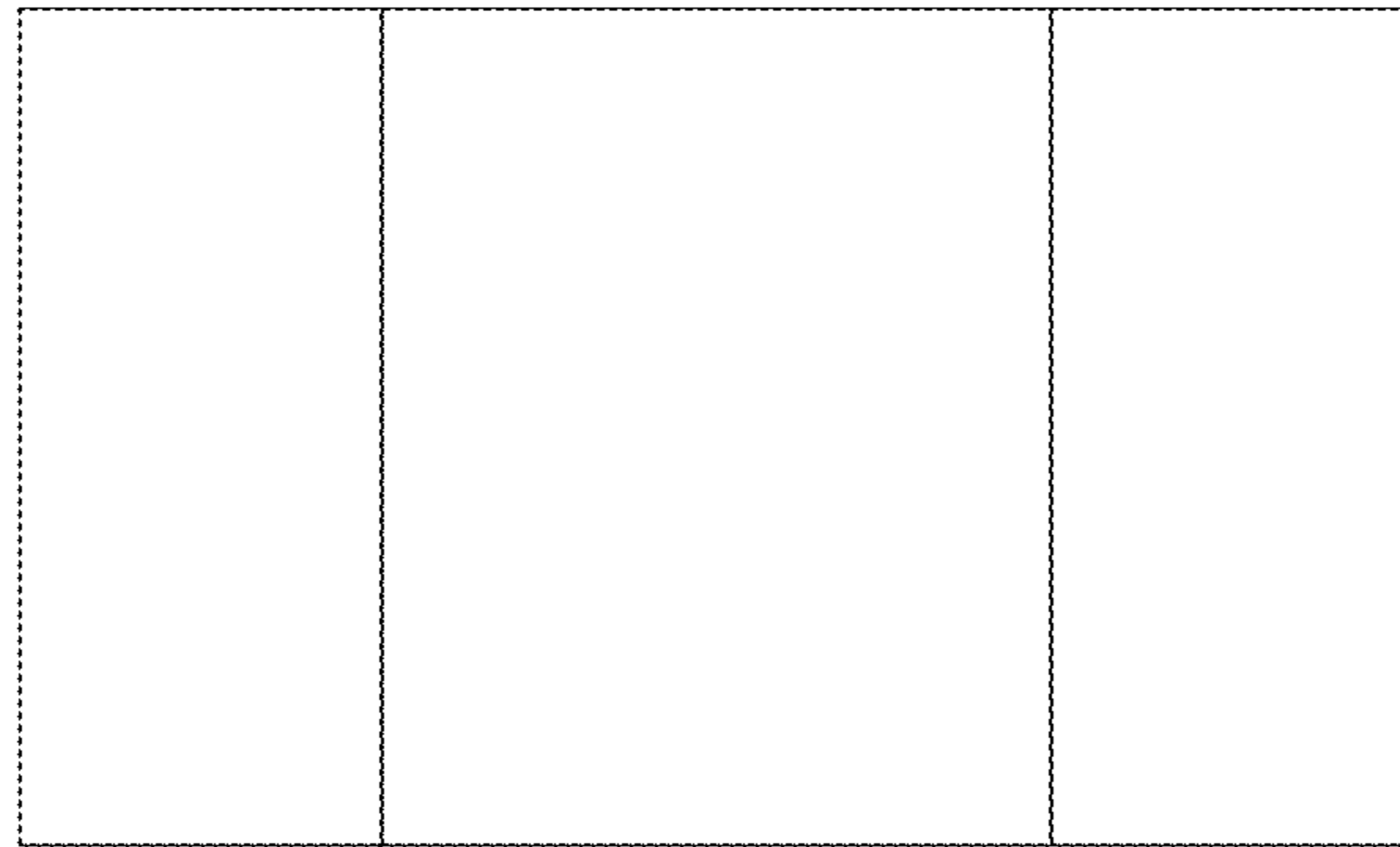


Fig. 7