



US00D956708S

(12) **United States Design Patent**
Lin et al.

(10) **Patent No.:** **US D956,708 S**

(45) **Date of Patent:** **** Jul. 5, 2022**

(54) **MAGNETIC PART FOR MAGNETIC CONNECTOR**

D330,541 S * 10/1992 Burrow D13/118
8,242,870 B1 * 8/2012 Folker H01F 27/255
336/198

(71) Applicant: **Cheng Uei Precision Industry Co., Ltd.**, New Taipei (TW)

D796,438 S * 9/2017 Kakuda D13/117
D830,972 S * 10/2018 Numajiri D13/117
2017/0309390 A1 * 10/2017 Yao H01F 27/2852

(72) Inventors: **Chuan-Hung Lin**, New Taipei (TW);
Sheng-Nan Yu, New Taipei (TW)

OTHER PUBLICATIONS

(73) Assignee: **CHENG UEI PRECISION INDUSTRY CO., LTD.**, New Taipei (TW)

YouTube:3D Wooden Brain Teaser Puzzle by Sharp Brain Zone.
Oct. 8, 2017 (Year: 2017).*

(**) Term: **15 Years**

* cited by examiner

(21) Appl. No.: **29/711,020**

Primary Examiner — Derrick E Holland

(22) Filed: **Oct. 28, 2019**

(74) *Attorney, Agent, or Firm* — Cheng-Ju Chiang

(51) **LOC (13) Cl.** **13-99**

(52) **U.S. Cl.**

USPC **D13/183**; D13/117

(58) **Field of Classification Search**

USPC D13/101, 110, 117, 118, 122, 133, 179,
D13/183, 199; D21/386, 484, 491, 497,
D21/500, 503

CPC H01F 27/02; H01F 27/04; H01F 27/24;
H01F 27/26; H01F 27/28; H01F 27/29;
H01F 27/292; H01F 27/325; H01F 41/06;
H01F 41/0246; H02K 5/16; H02M 3/28

See application file for complete search history.

(57) **CLAIM**

The ornamental design for a magnetic part for magnetic connector, as shown and described.

DESCRIPTION

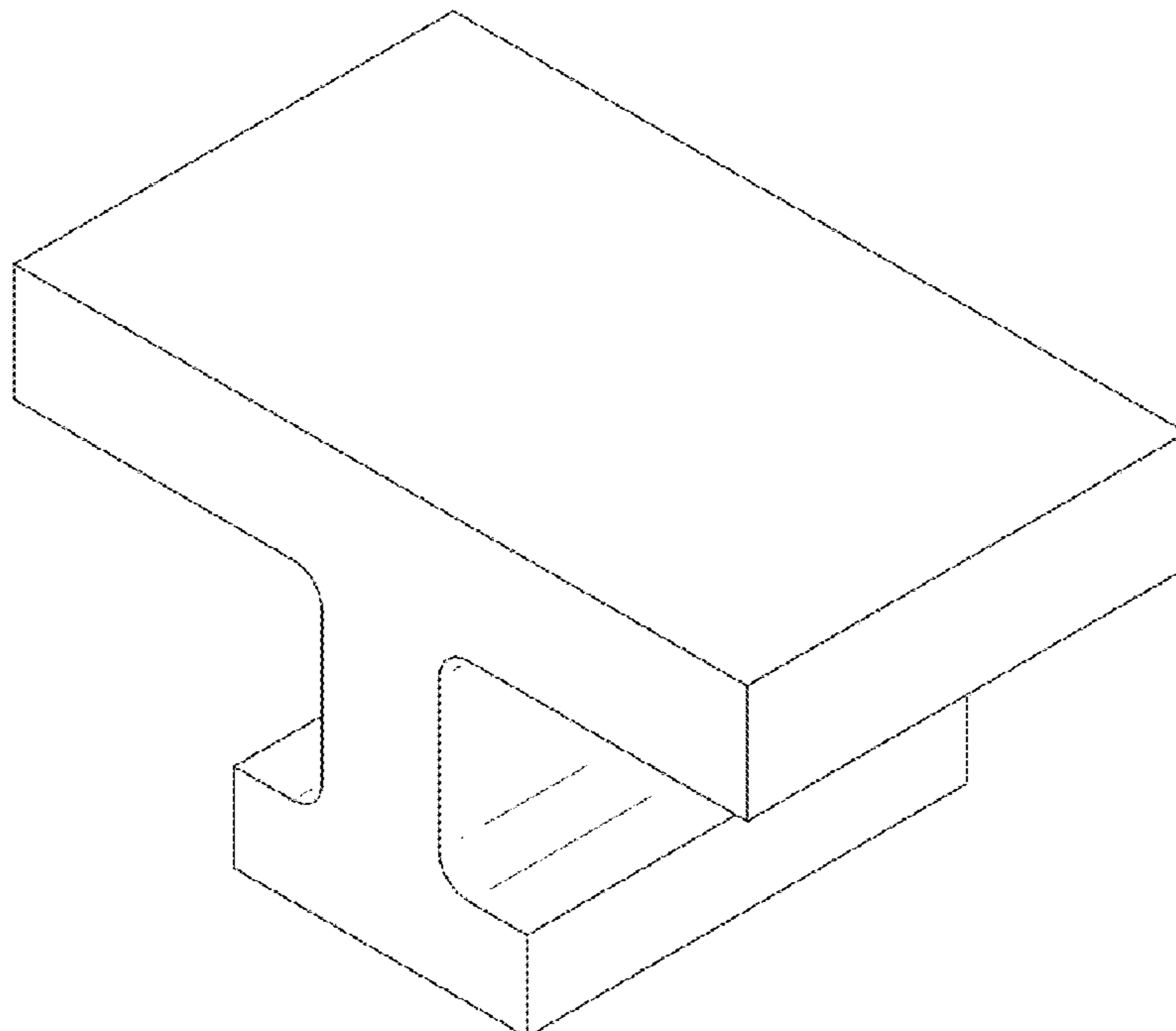
FIG. 1 is a perspective view of a magnetic part for magnetic connector showing our new design;
FIG. 2 is a front elevational view thereof;
FIG. 3 is a rear elevational view thereof;
FIG. 4 is a left side elevational view thereof;
FIG. 5 is a right side elevational view thereof;
FIG. 6 is a top plan view thereof; and,
FIG. 7 is a bottom plan view thereof.

(56) **References Cited**

U.S. PATENT DOCUMENTS

2,659,163 A * 11/1953 Wilder A63F 9/0666
273/273
D330,189 S * 10/1992 Burrow D13/118

1 Claim, 7 Drawing Sheets



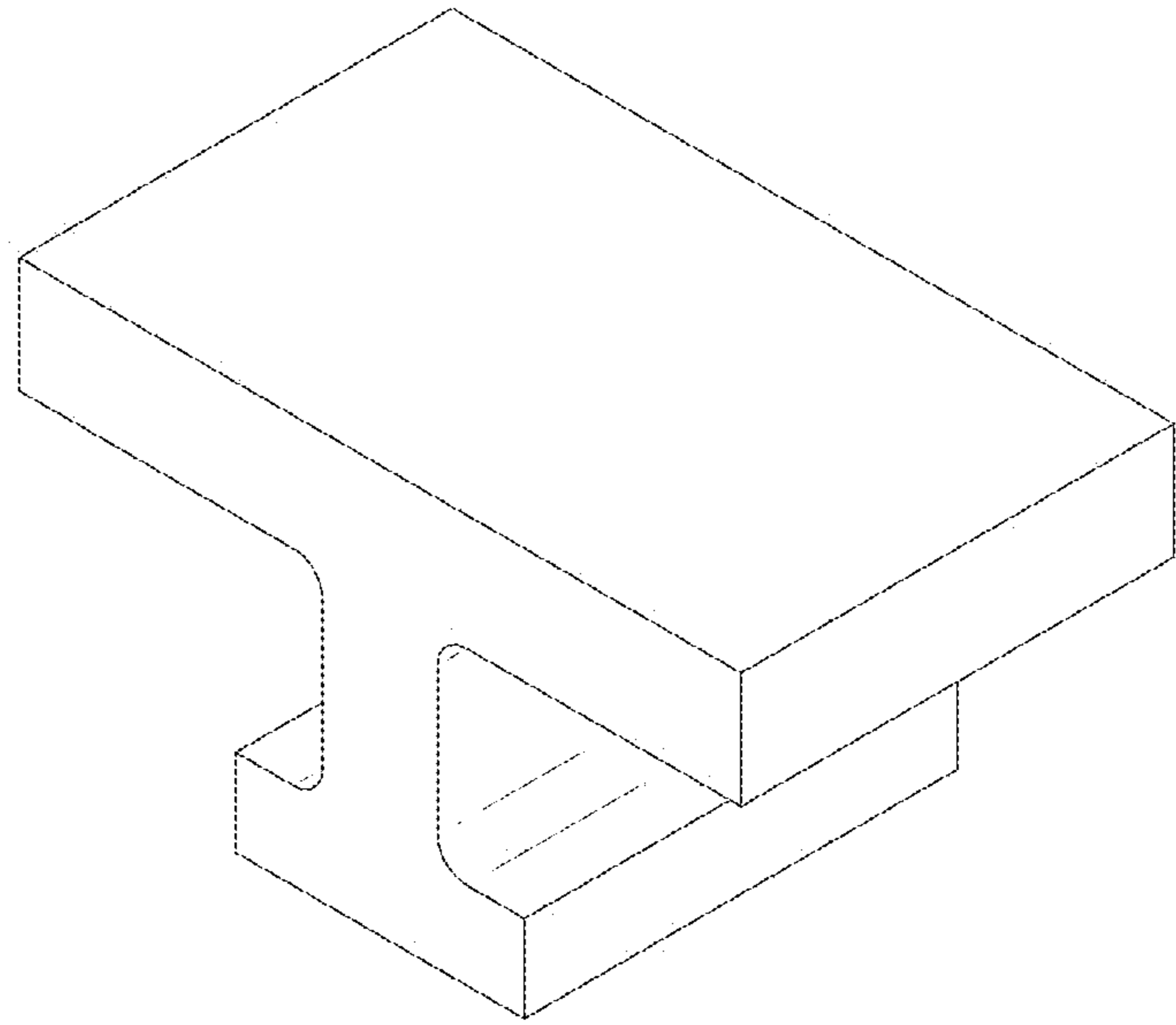


Fig. 1

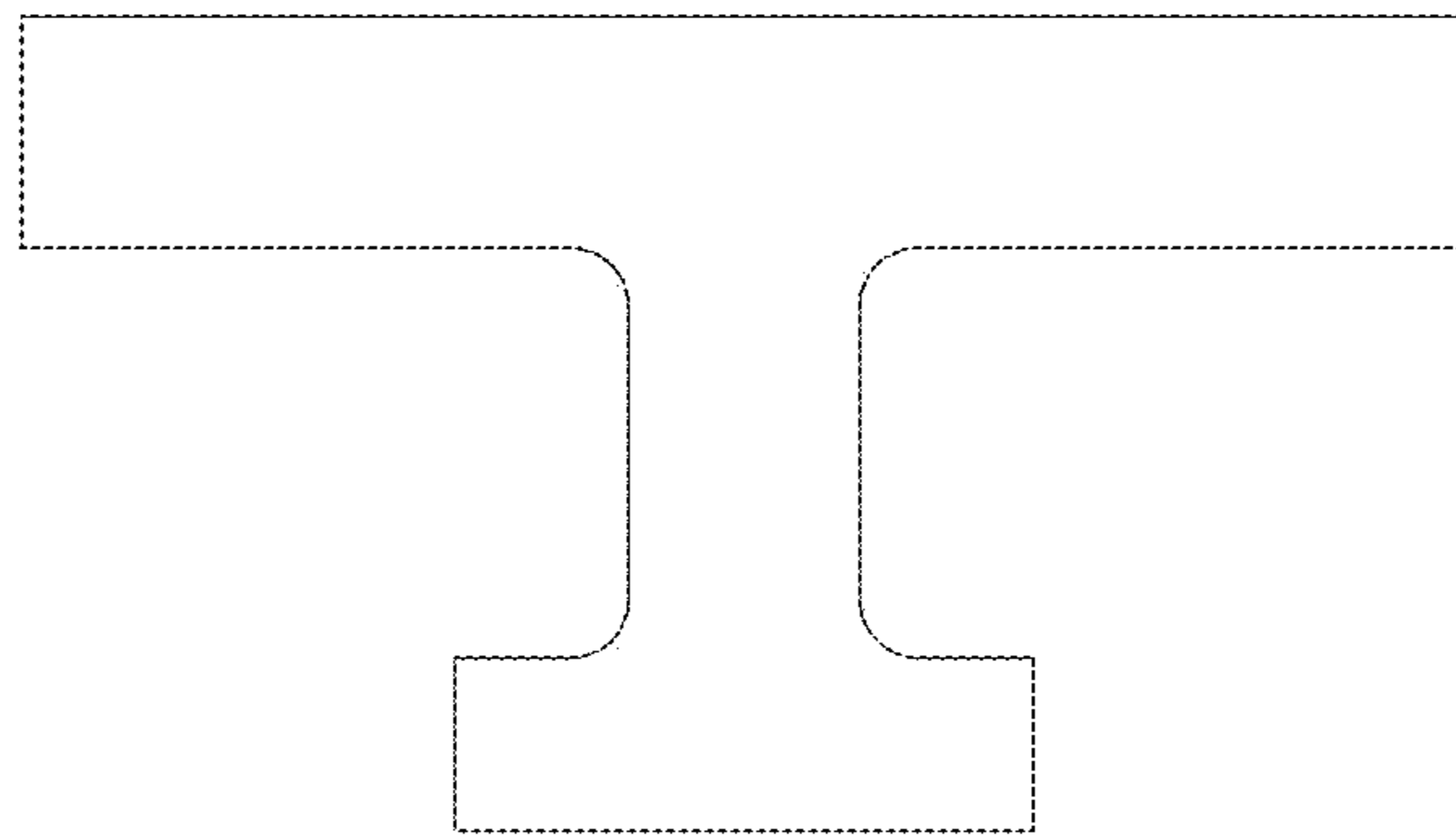


Fig. 2

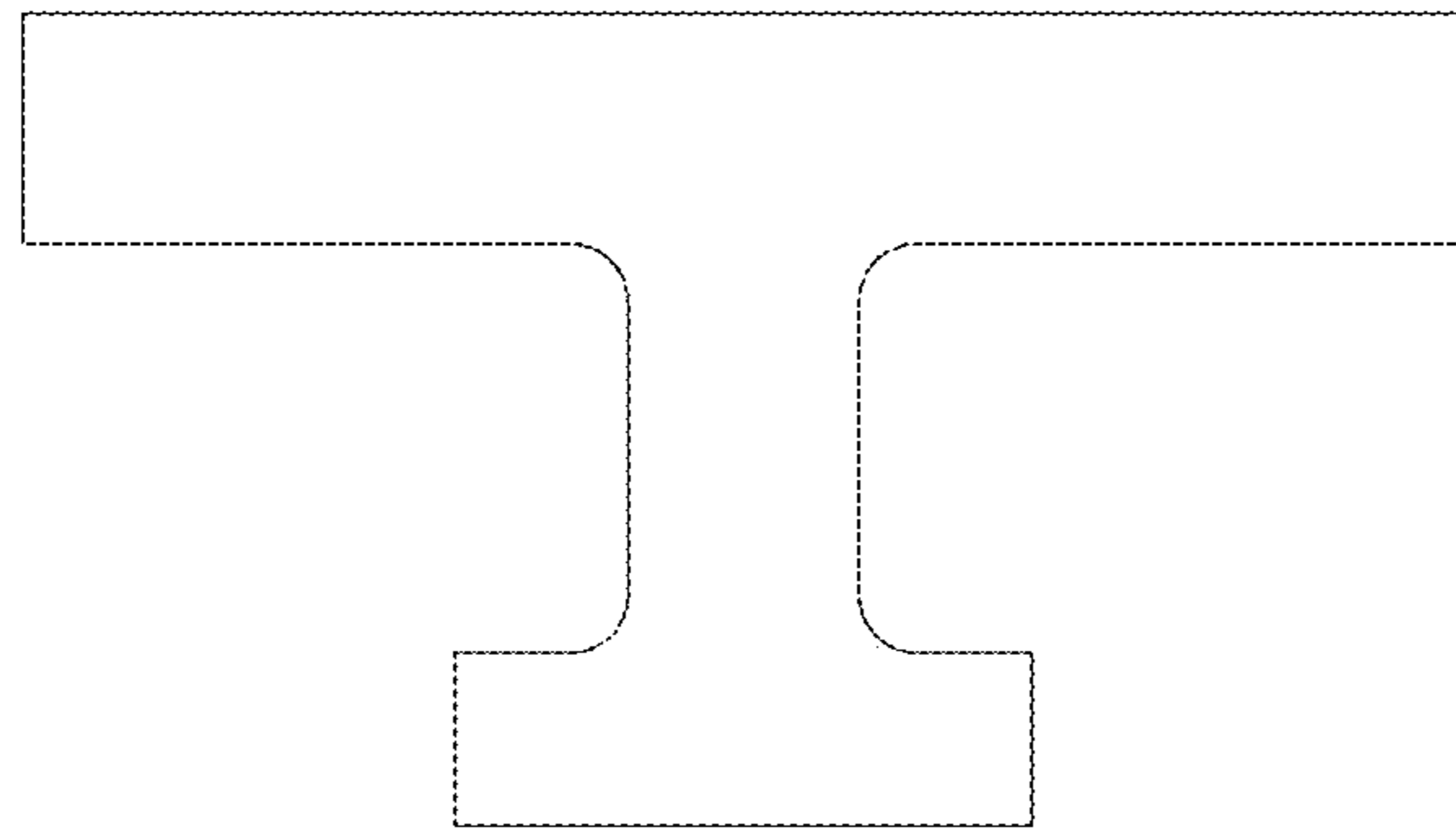


Fig. 3

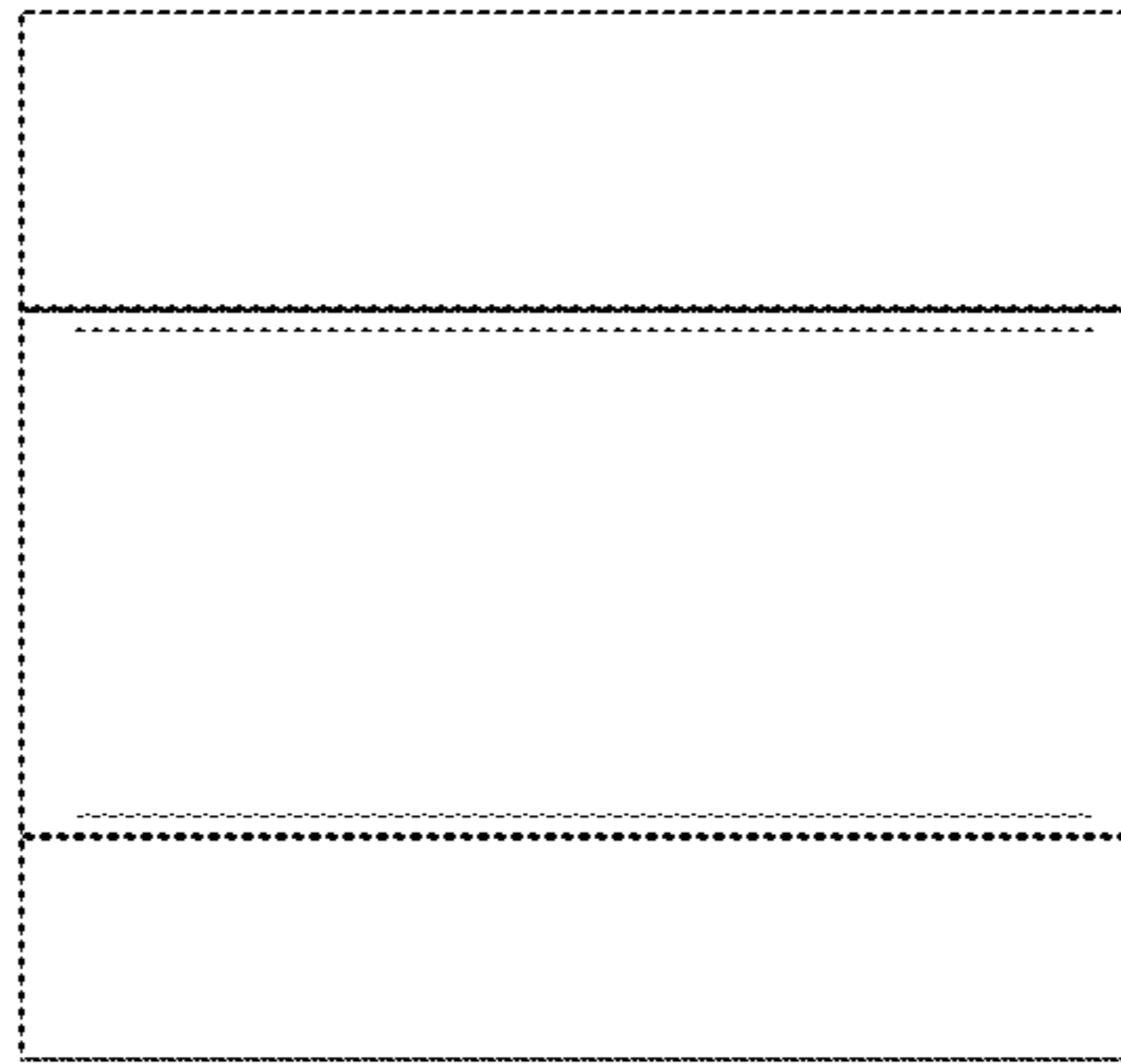


Fig. 4

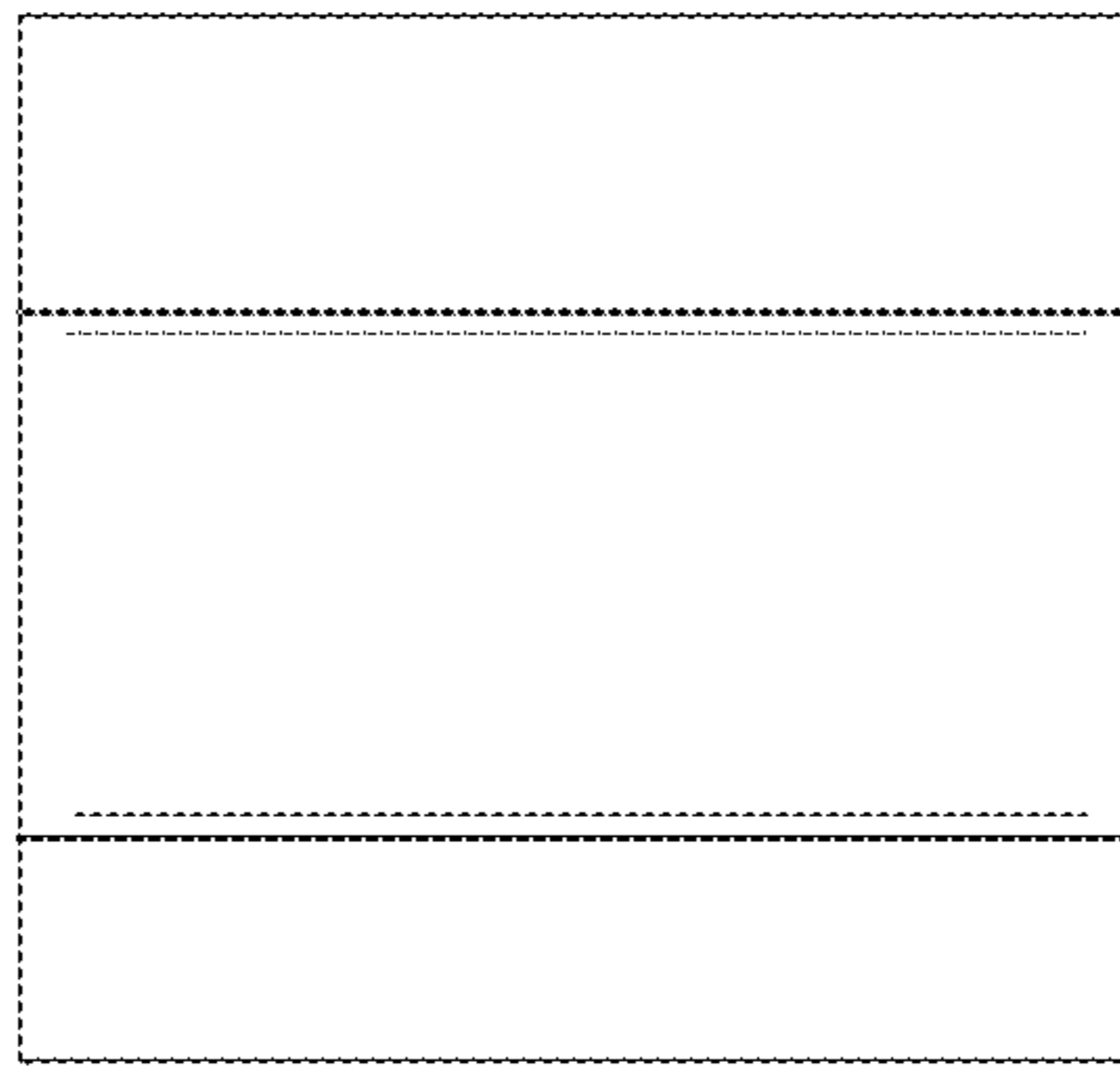


Fig. 5



Fig. 6

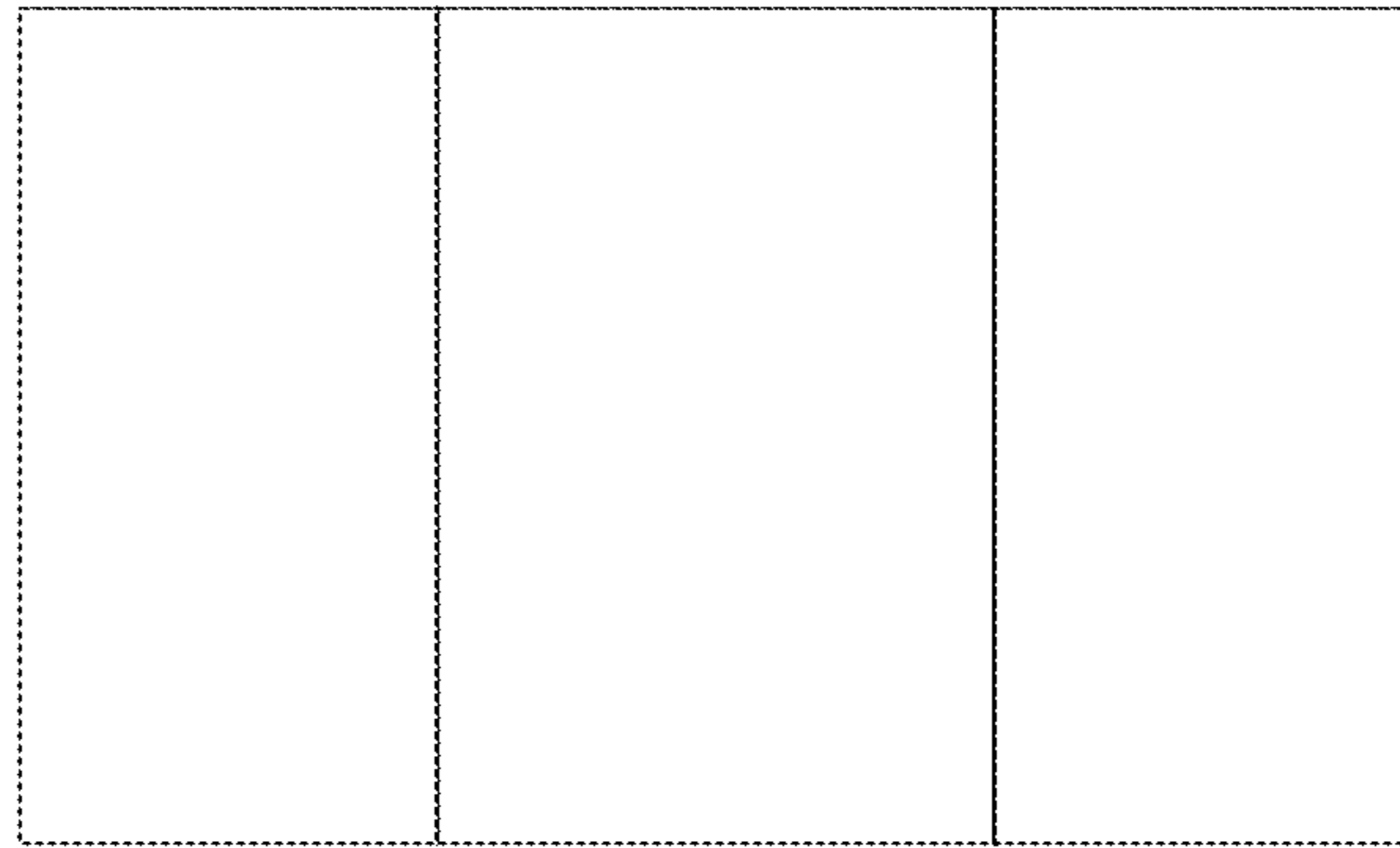


Fig. 7