



US00D956704S

(12) **United States Design Patent**  
**Wakuda**

(10) **Patent No.:** **US D956,704 S**  
(45) **Date of Patent:** **\*\* Jul. 5, 2022**

(54) **PUSH SWITCH**

(71) Applicants: **CITIZEN ELECTRONICS CO., LTD.**, Yamanashi-ken (JP); **CITIZEN WATCH CO., LTD.**, Tokyo (JP)

(72) Inventor: **Ryo Wakuda**, Yamanashi-ken (JP)

(73) Assignees: **Citizen Electronics Co., Ltd.**, Yamanashi-ken (JP); **Citizen Watch Co., Ltd.**, Tokyo (JP)

(\*\*) Term: **15 Years**

(21) Appl. No.: **29/760,875**

(22) Filed: **Dec. 4, 2020**

(51) **LOC (13) Cl.** ..... **13-03**

(52) **U.S. Cl.**  
USPC ..... **D13/171**; D13/158

(58) **Field of Classification Search**  
USPC ..... D13/158, 171, 180  
CPC ..... H01H 3/02; H01H 3/022; H01H 3/12;  
H01H 3/122; H01H 9/02; H01H 9/0235;  
H01H 13/04; H01H 13/06; H01H 13/063;  
H01H 13/10; H01H 13/12; H01H 13/14;  
H01H 13/36; H01H 13/44; H01H 13/48;  
H01H 13/64; H01H 13/70; H01H 13/705;  
H01H 13/85; H01H 13/86

See application file for complete search history.

(56) **References Cited**

**U.S. PATENT DOCUMENTS**

D467,880 S \* 12/2002 Kawashima ..... D13/158  
6,646,217 B2 \* 11/2003 Omata ..... H01H 5/30  
200/409  
7,557,320 B1 \* 7/2009 Crooijmans ..... H01H 13/85  
200/406  
8,759,704 B2 \* 6/2014 Inamoto ..... H01H 13/85  
200/406

D741,819 S \* 10/2015 Ueno ..... D13/171  
D789,307 S 6/2017 Amano  
D809,467 S 2/2018 Amano  
D812,573 S 3/2018 Amano  
D812,574 S 3/2018 Amano  
D831,580 S 10/2018 Amano  
10,256,055 B2 \* 4/2019 Amano ..... H01H 13/80  
D852,145 S \* 6/2019 Amano ..... D13/158  
10,483,056 B2 \* 11/2019 Wakuda ..... H01H 13/83  
11,270,855 B2 \* 3/2022 Isoda ..... H01H 13/04  
2006/0073341 A1 \* 4/2006 Lee ..... H01H 13/48  
428/413  
2008/0047808 A1 \* 2/2008 Tan ..... H01H 13/14  
200/1 R  
2008/0251369 A1 \* 10/2008 Villain ..... H01H 13/06  
200/534  
2008/0277251 A1 \* 11/2008 Tatman ..... H01H 13/64  
200/17 B

(Continued)

*Primary Examiner* — Selina Sikder

(74) *Attorney, Agent, or Firm* — Wenderoth, Lind & Ponack, L.L.P.

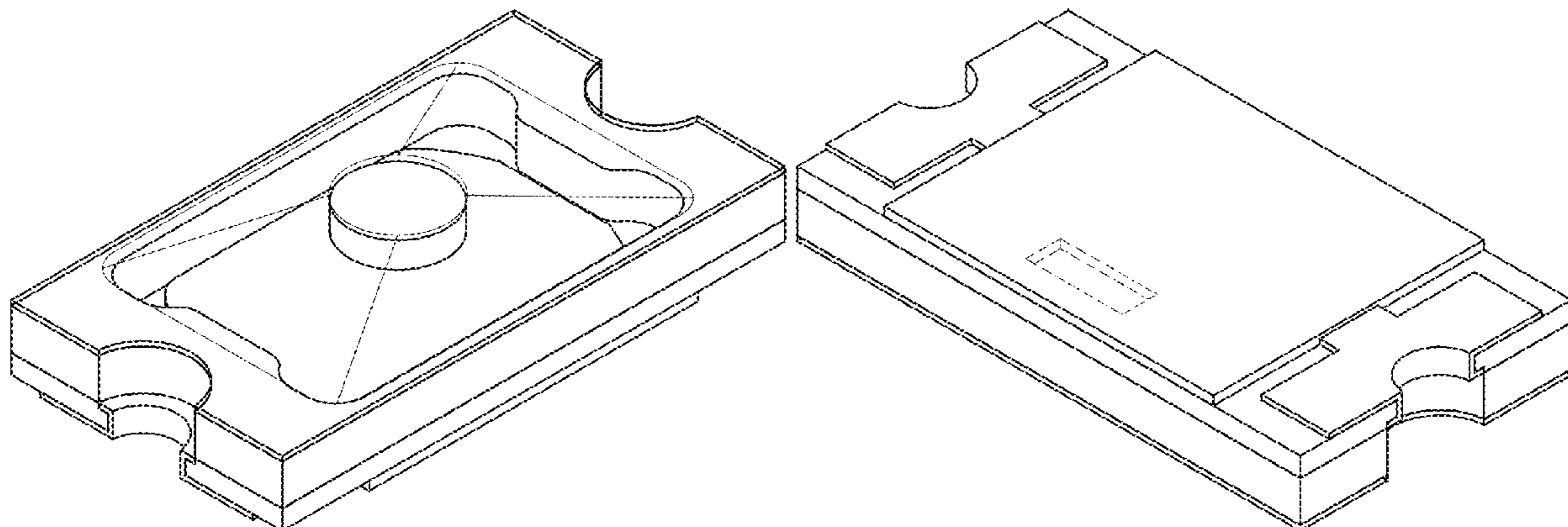
(57) **CLAIM**

The ornamental design for a push switch, as shown and described.

**DESCRIPTION**

FIG. 1 is a front, top, and left side perspective view of a push switch showing my new design;  
FIG. 2 is a rear, bottom, and right side perspective view thereof;  
FIG. 3 is a front view thereof, the rear view being identical to the front view;  
FIG. 4 is a left side view thereof, the right side view being identical to the left side view;  
FIG. 5 is a top plan view thereof; and,  
FIG. 6 is a bottom plan view thereof.  
In the drawings, the broken lines depict portion of the push switch that form no part of the claimed design.

**1 Claim, 6 Drawing Sheets**



(56)

**References Cited**

U.S. PATENT DOCUMENTS

2010/0140065	A1 *	6/2010	Lee .....	H01H 13/48 200/17 R
2011/0303520	A1 *	12/2011	Burnel .....	H01H 13/44 200/512
2012/0055773	A1 *	3/2012	Nakaoka .....	H01H 13/88 200/512
2012/0111712	A1 *	5/2012	Cour .....	H01H 13/48 200/511
2012/0118720	A1 *	5/2012	Kikuchi .....	H01H 13/52 200/512
2013/0068599	A1 *	3/2013	Kikuchi .....	H01H 13/50 200/341
2013/0087443	A1 *	4/2013	Kikuchi .....	H01H 13/48 200/520
2014/0151213	A1 *	6/2014	Watanabe .....	H01H 13/04 200/535
2016/0064158	A1 *	3/2016	Nakase .....	H01H 13/14 200/275
2017/0069444	A1 *	3/2017	Wang .....	G06F 1/1662
2018/0012712	A1 *	1/2018	Amano .....	H01H 13/80
2019/0326079	A1 *	10/2019	Doro .....	H01H 13/803
2020/0185166	A1 *	6/2020	Doro .....	H01H 13/20
2020/0194192	A1 *	6/2020	Doro .....	H01H 13/48
2020/0328041	A1 *	10/2020	Isoda .....	H01H 13/85
2021/0125800	A1 *	4/2021	Otaka .....	H01H 13/06
2021/0156753	A1 *	5/2021	Kawamura .....	H03K 17/9625
2021/0335558	A1 *	10/2021	Kaneko .....	H01H 13/04
2021/0383987	A1 *	12/2021	Doro .....	H01H 13/10

\* cited by examiner

FIG. 1

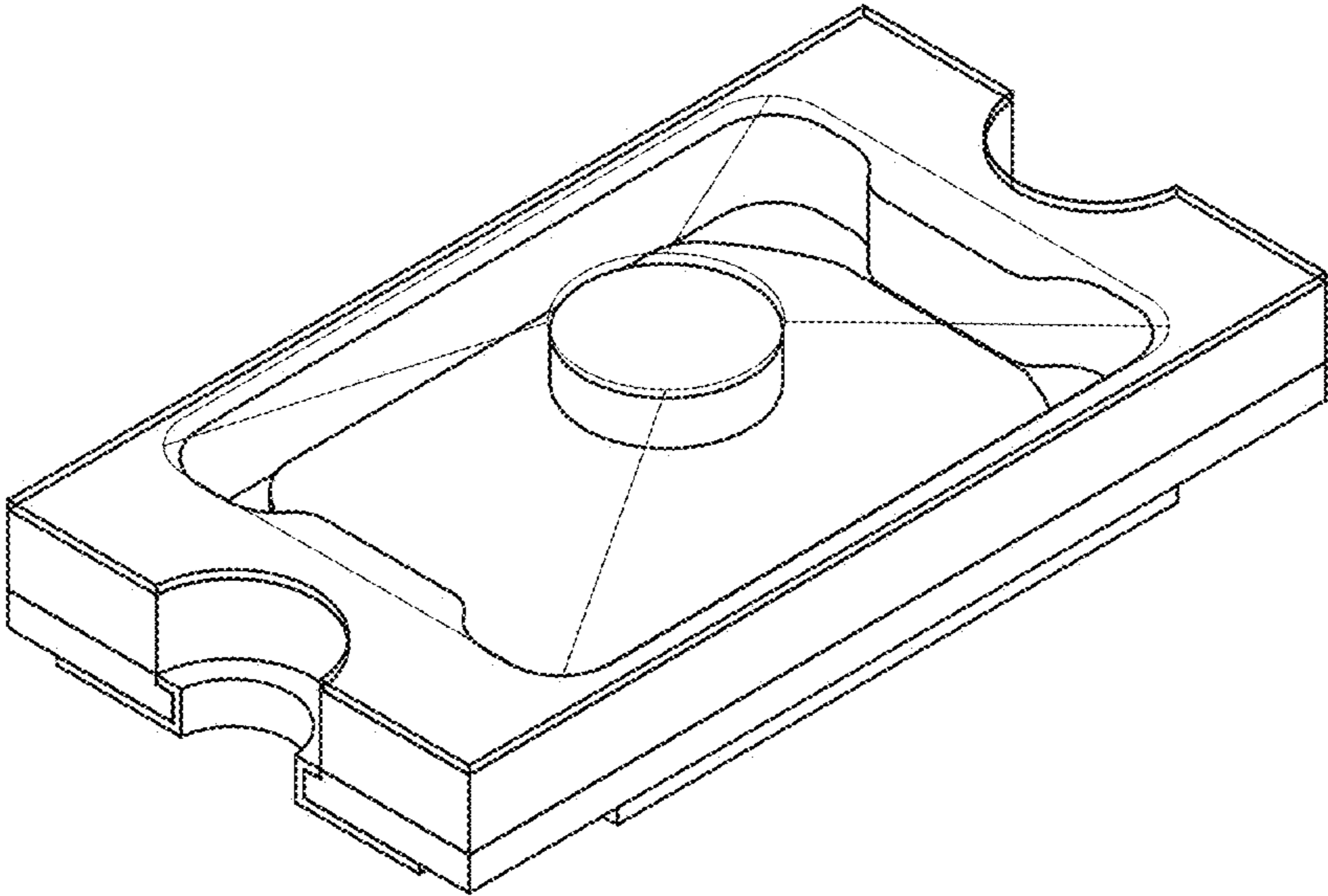


FIG. 2

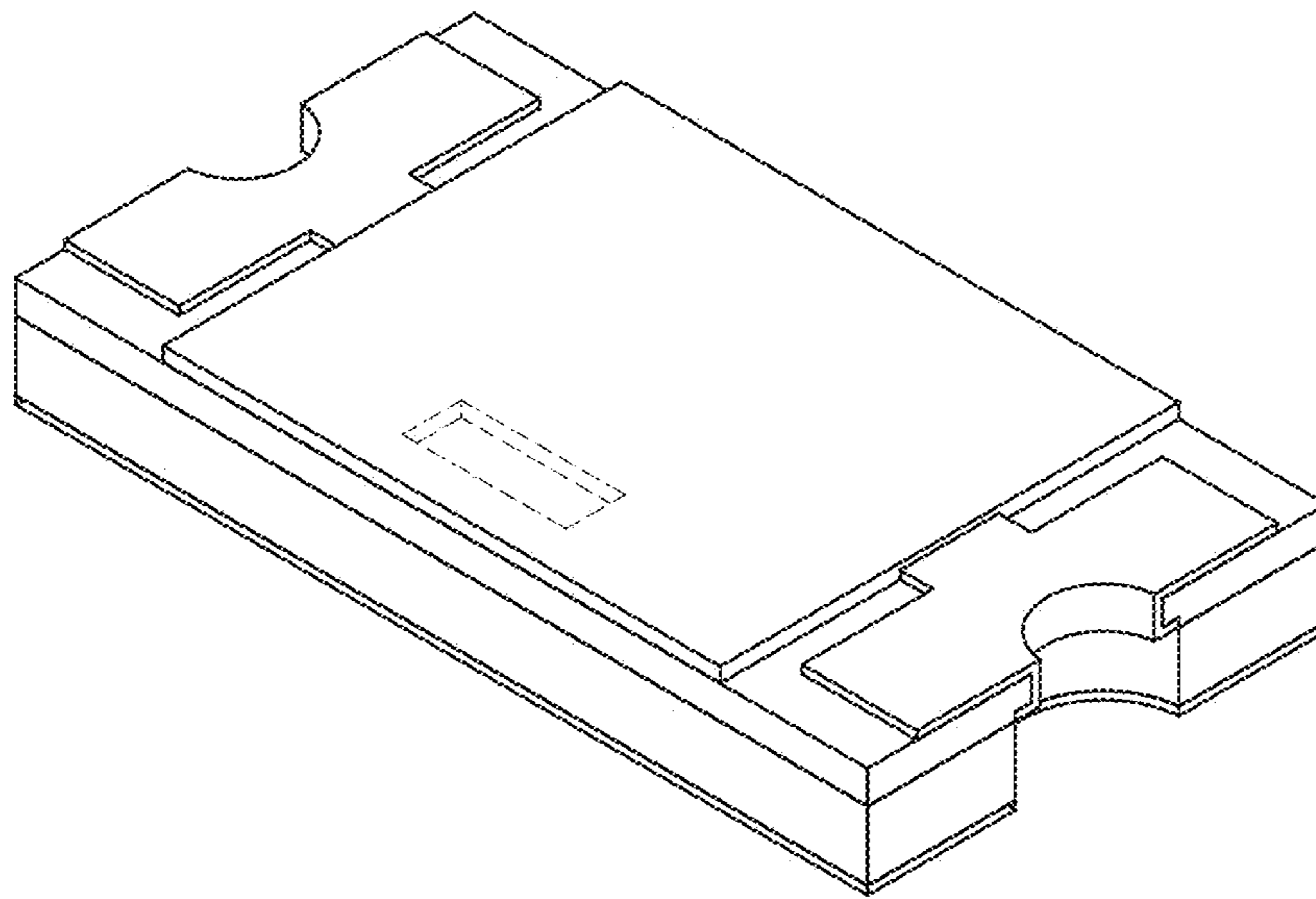


FIG. 3

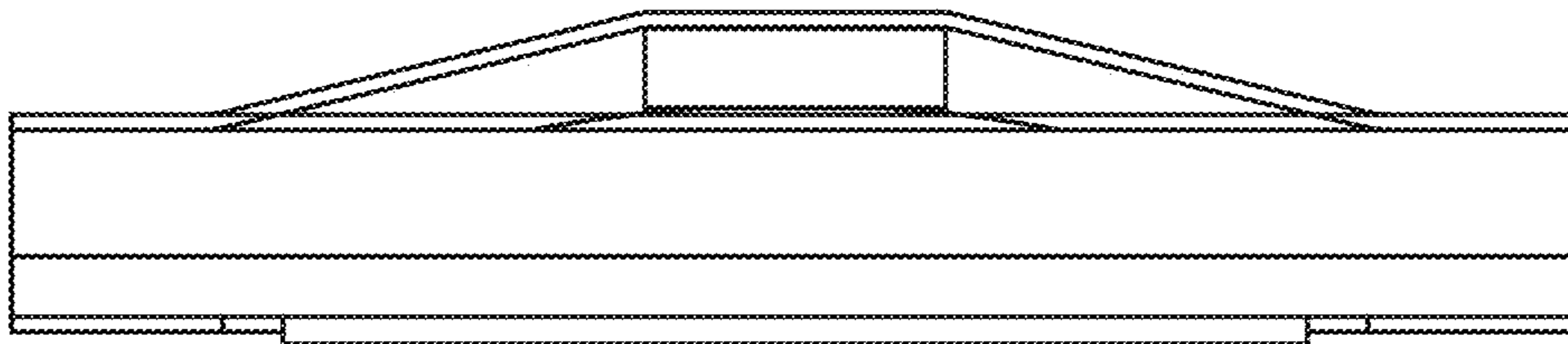


FIG. 4

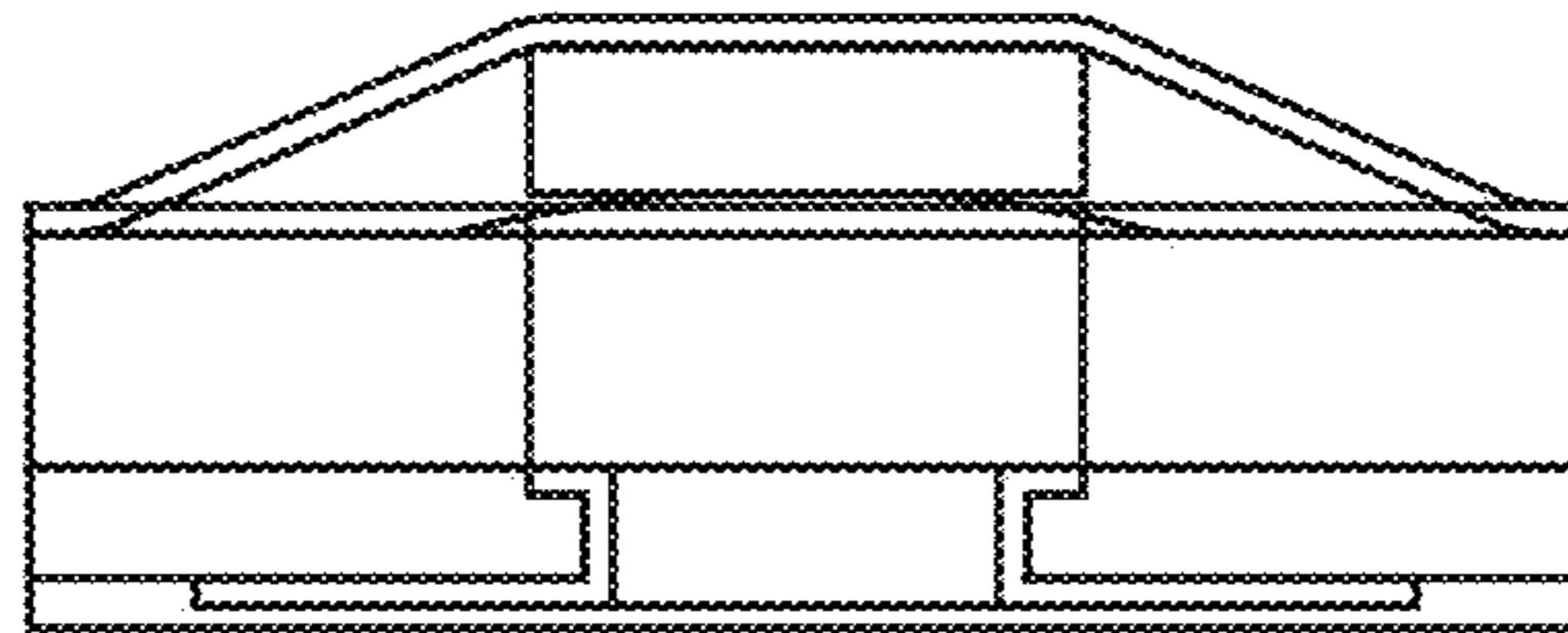


FIG. 5

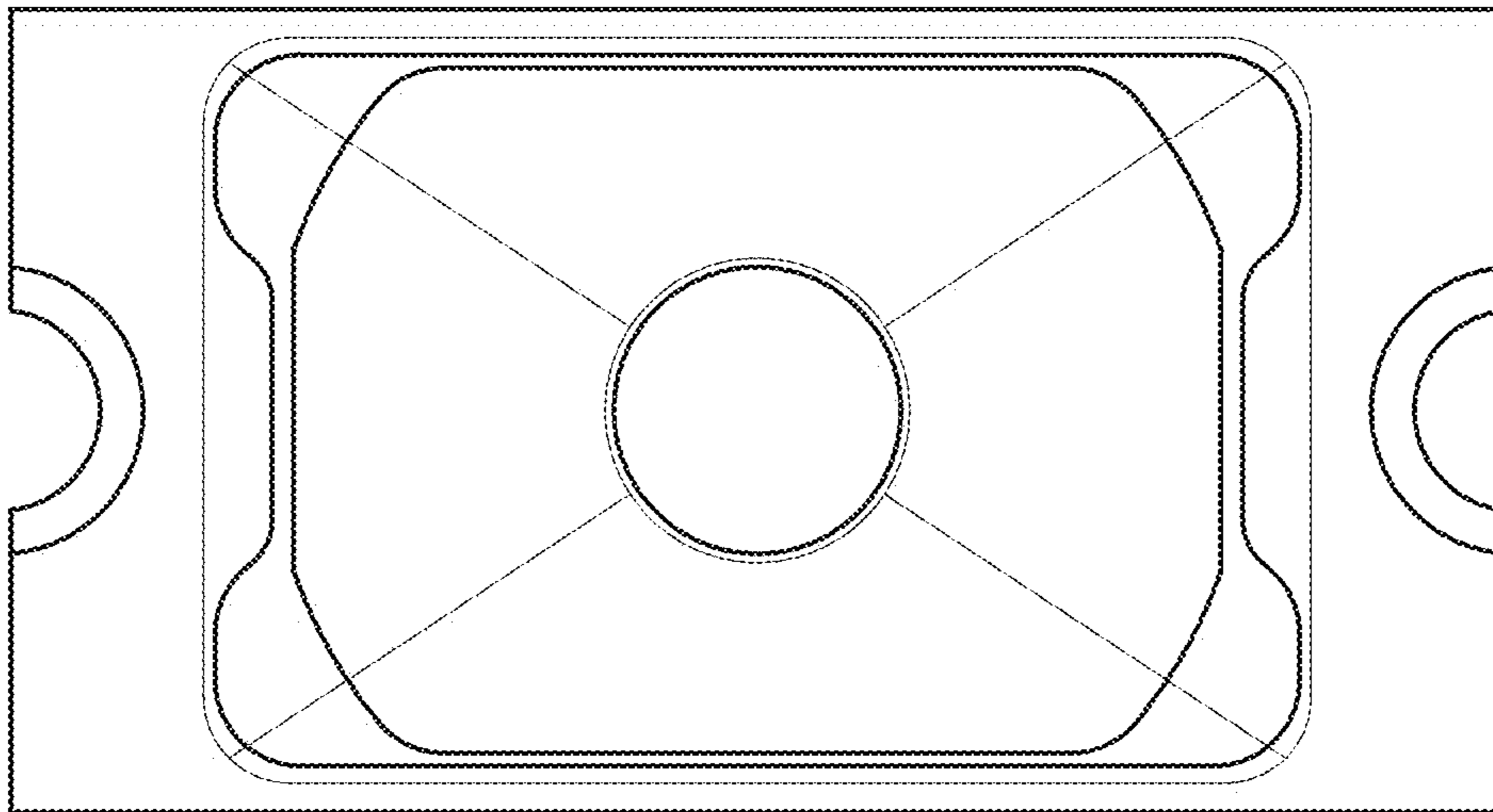


FIG. 6

