



US00D956700S

(12) **United States Design Patent**
Wamser et al.

(10) **Patent No.:** **US D956,700 S**
(45) **Date of Patent:** **** Jul. 5, 2022**

(54) **FOOT PEDAL**

(71) Applicant: **Carl Zeiss Meditec AG**, Jena (DE)

(72) Inventors: **Michael Wamser**, Aalen (DE); **Walter Matuschek**, Aalen (DE); **Steffen Dambacher**, Gauting (DE)

(73) Assignee: **Carl Zeiss Meditec AG**, Jena (DE)

(**) Term: **15 Years**

(21) Appl. No.: **29/755,974**

(22) Filed: **Oct. 23, 2020**

(51) **LOC (13) Cl.** **13-03**

(52) **U.S. Cl.**
USPC **D13/167**

(58) **Field of Classification Search**
USPC D13/167, 173, 199; D15/72; D17/20,
D17/99; D24/179; D14/179
CPC G10H 1/0008; G10H 1/0056; G10H 1/32;
G10H 1/34; G10H 1/344; G10H 1/46;
G10H 1/146; G10H 1/348; G10H 3/146;
H01H 13/14; H01H 13/16; A61B
2017/00973

See application file for complete search history.

(56) **References Cited**

U.S. PATENT DOCUMENTS

D478,323	S *	8/2003	Peterson	D13/167
6,937,390	B2	8/2005	Akiyama et al.		
7,232,722	B2	6/2007	Kogawa et al.		
D623,209	S	9/2010	Matuschek et al.		
D669,441	S	10/2012	Naef et al.		
D685,021	S *	6/2013	Ridinger	D17/20
8,635,042	B2 *	1/2014	Ma	A61F 9/00745 702/94
D708,593	S *	7/2014	Lynn	D13/179
D727,498	S *	4/2015	Creed	D24/144
D743,036	S	11/2015	Boukhny et al.		

D873,416	S *	1/2020	Koppel	D24/172
10,925,680	B2 *	2/2021	Jawidzik	A61B 34/25
D911,982	S *	3/2021	Colter	D13/167
2004/0036386	A1 *	2/2004	Olivera	A61B 50/13 312/209
2008/0067046	A1 *	3/2008	Dacquay	H01H 3/14 200/86.5
2013/0169412	A1 *	7/2013	Roth	G08B 6/00 340/6.1
2015/0051607	A1 *	2/2015	Hajishah	A61B 90/98 606/107

(Continued)

OTHER PUBLICATIONS

U.S. Appl. No. 29/755,967, filed Oct. 23, 2020, Carl Zeiss Meditec AG, Michael Wamser Walter Matuschek Steffen Dambacher.

(Continued)

Primary Examiner — Selina Sikder

(74) *Attorney, Agent, or Firm* — Walter Ottesen, P.A.

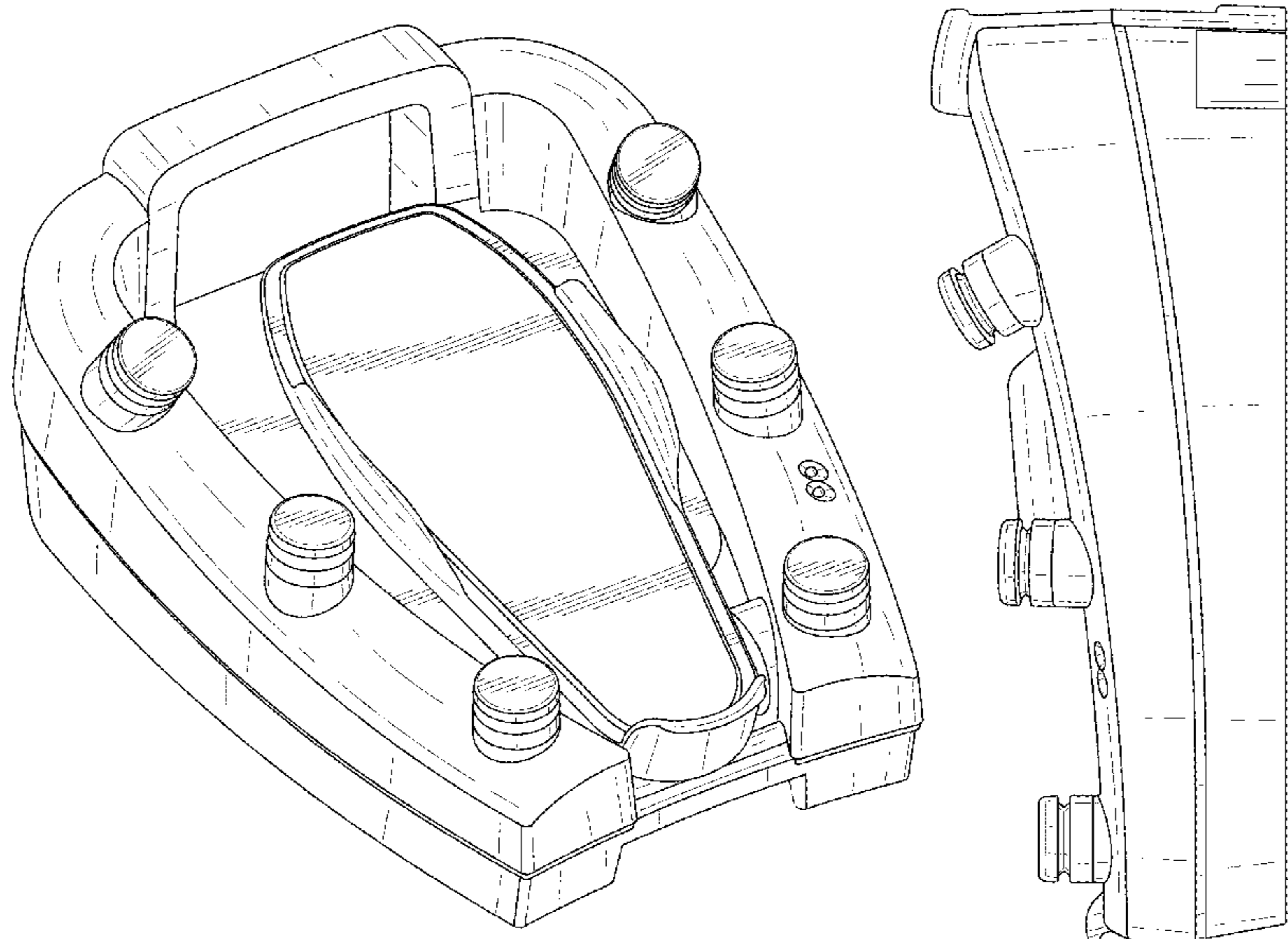
(57) **CLAIM**

The ornamental design for a foot pedal, as shown and described.

DESCRIPTION

FIG. 1 is a perspective view of a foot pedal of our new design;
FIG. 2 is a top plan view of the foot pedal of FIG. 1;
FIG. 3 is a left side elevation view of the foot pedal of FIG. 1;
FIG. 4 is a right side elevation view of the foot pedal of FIG. 1;
FIG. 5 is a rear elevation view of the foot pedal of FIG. 1;
FIG. 6 is a front elevation view of the foot pedal of FIG. 1;
and,
FIG. 7 is a bottom plan view of the foot pedal of FIG. 1.
The broken lines form no part of the claimed design.

1 Claim, 7 Drawing Sheets



(56)

References Cited

U.S. PATENT DOCUMENTS

2021/0035747 A1* 2/2021 Jawidzik A61F 9/00736

OTHER PUBLICATIONS

U.S. Appl. No. 29/755,090, filed Oct. 10, 2020, Carl Zeiss Meditec AG, Michael Wamser Walter Matuschek Steffen Dambacher.

U.S. Appl. No. 29/755,095, filed Oct. 16, 2020, Carl Zeiss Meditec AG, Michael Wamser Walter Matuschek Steffen Dambacher.

“Zeiss Opmi Lumera 700”, Carl Zeiss Meditec AG Brochure, 2014, pp. 3 to 12.

“Opmi Pentero 800 from Zeiss”, Carl Zeiss Meditec AG Brochure, 2015, pp. 1 to 17.

“Opmi Vario from Zeiss”, Carl Zeiss Meditec AG Brochure, 2014, pp. 1 to 12.

* cited by examiner

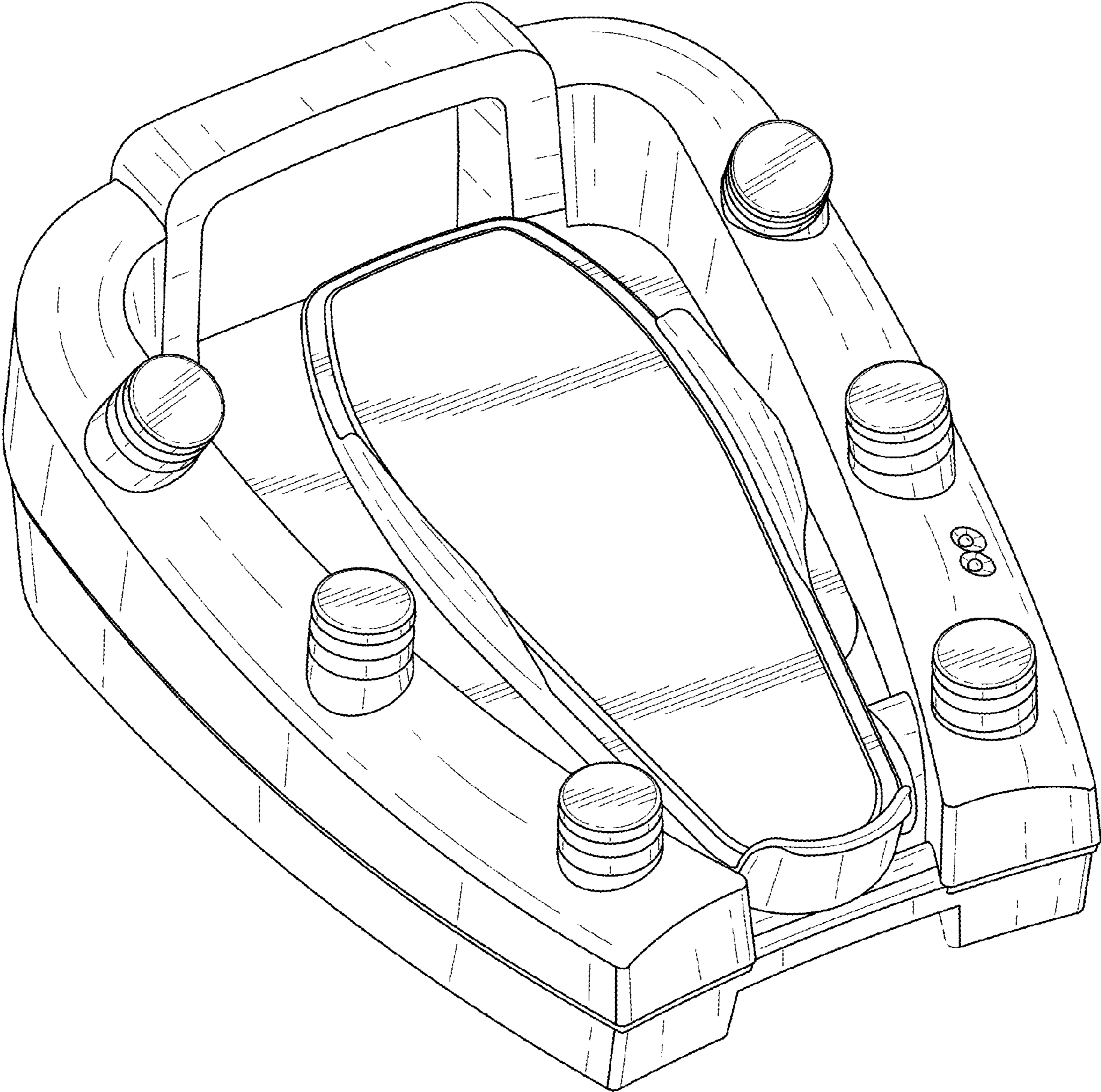


FIG. 1

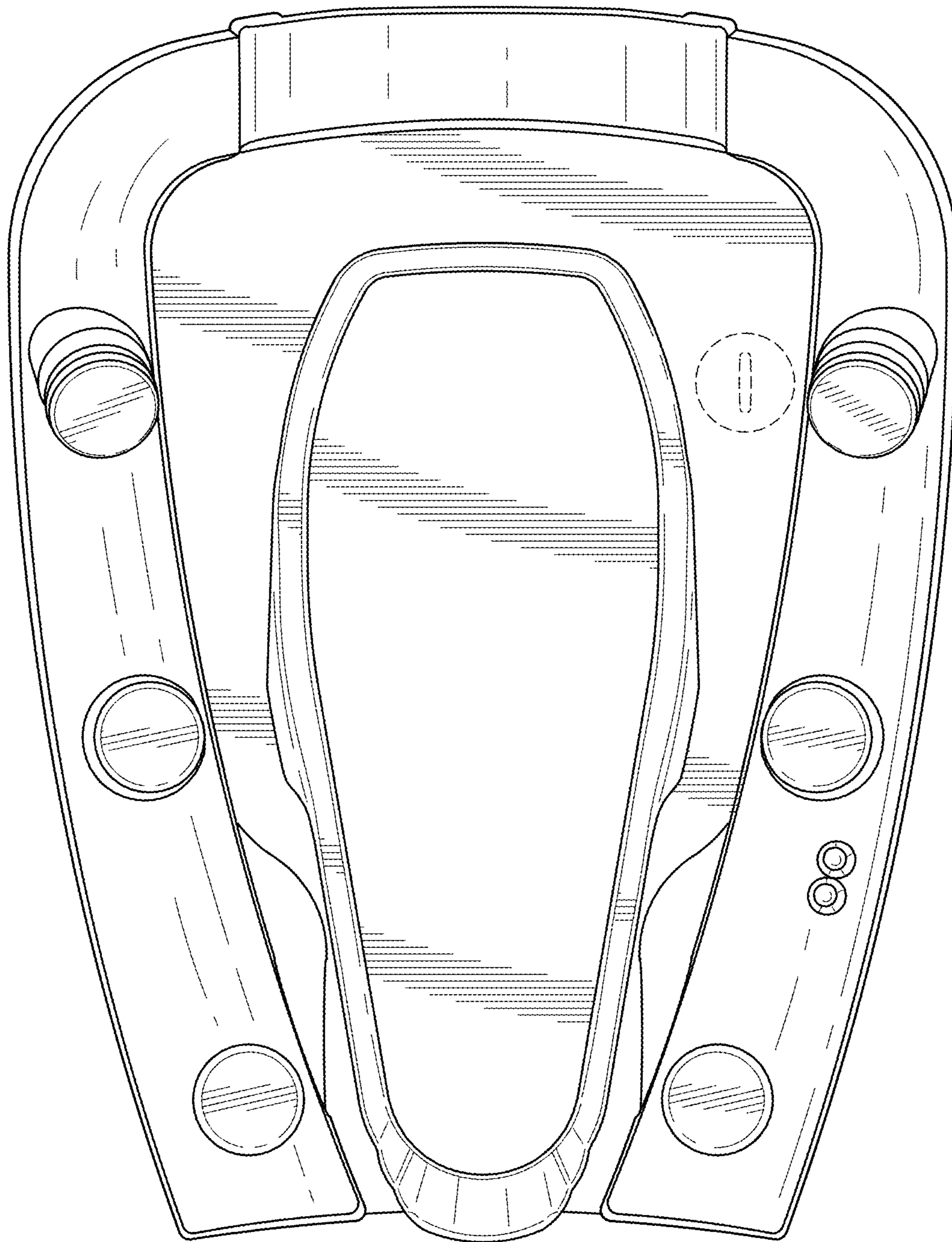


FIG. 2

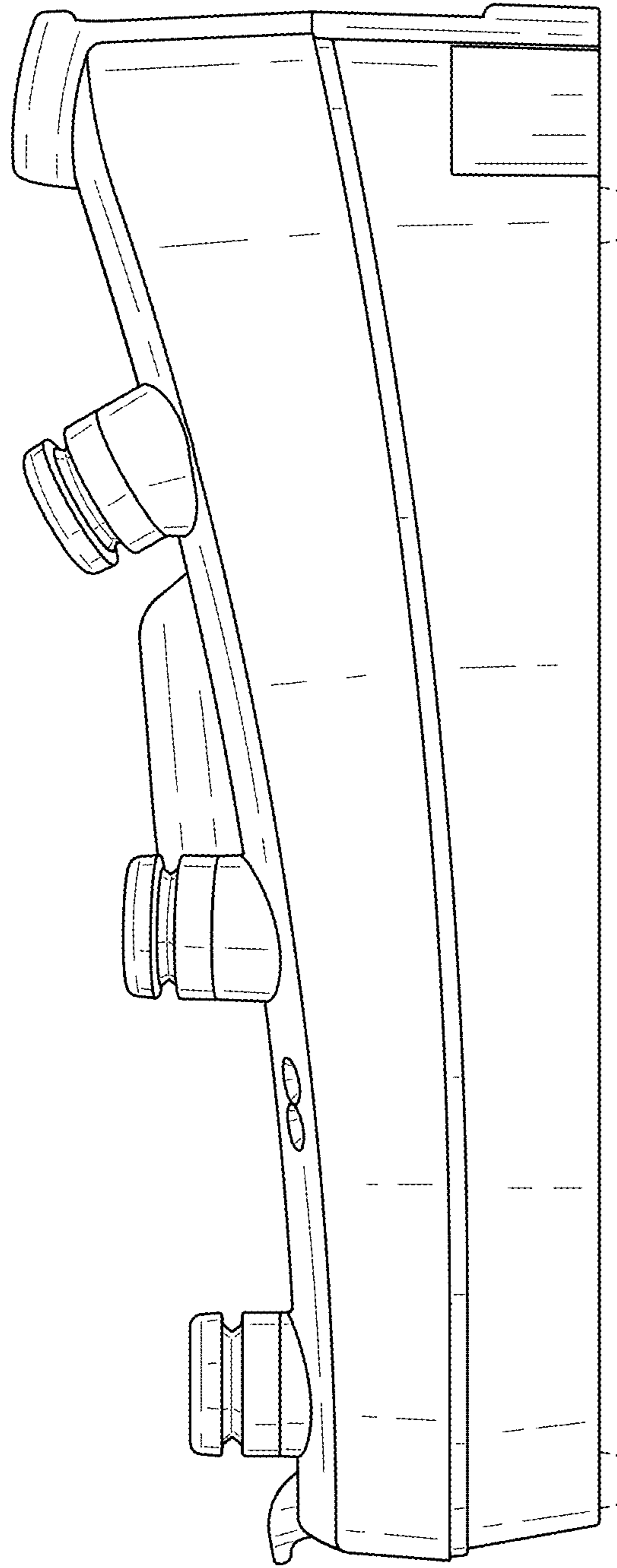


FIG. 3

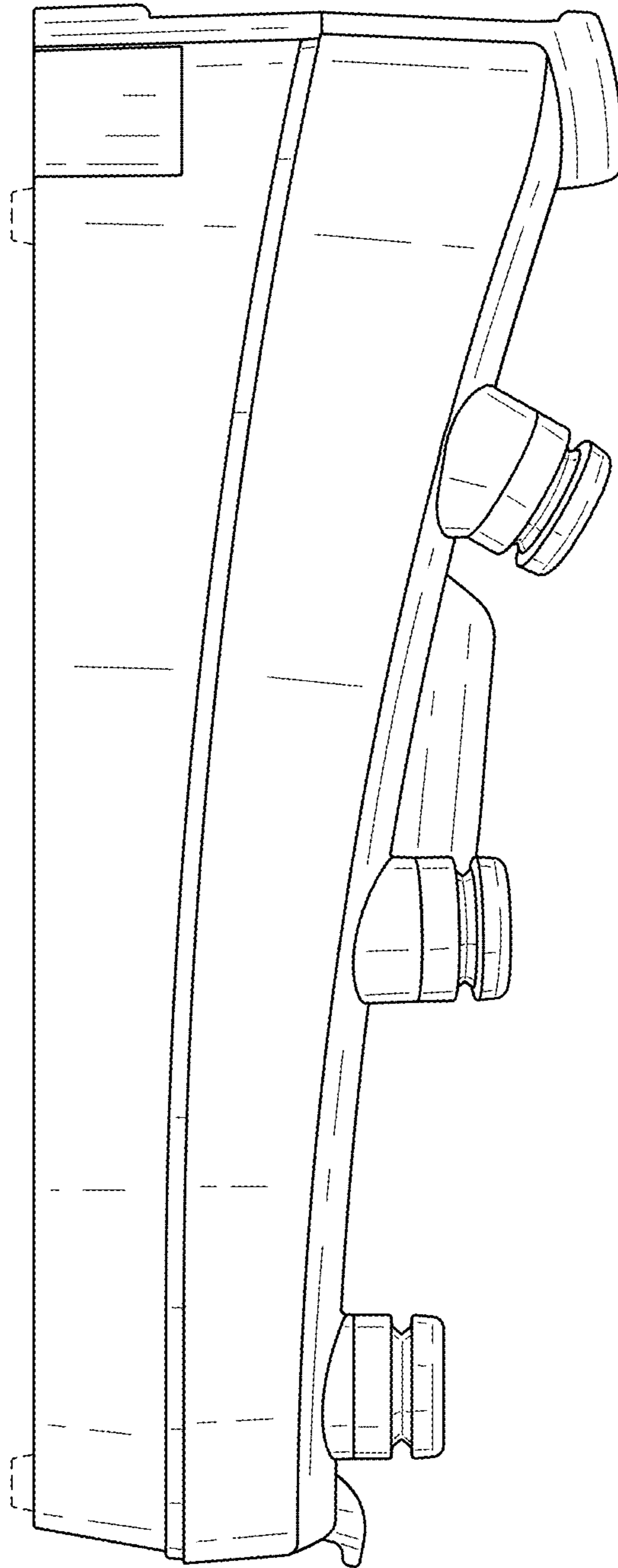


FIG. 4

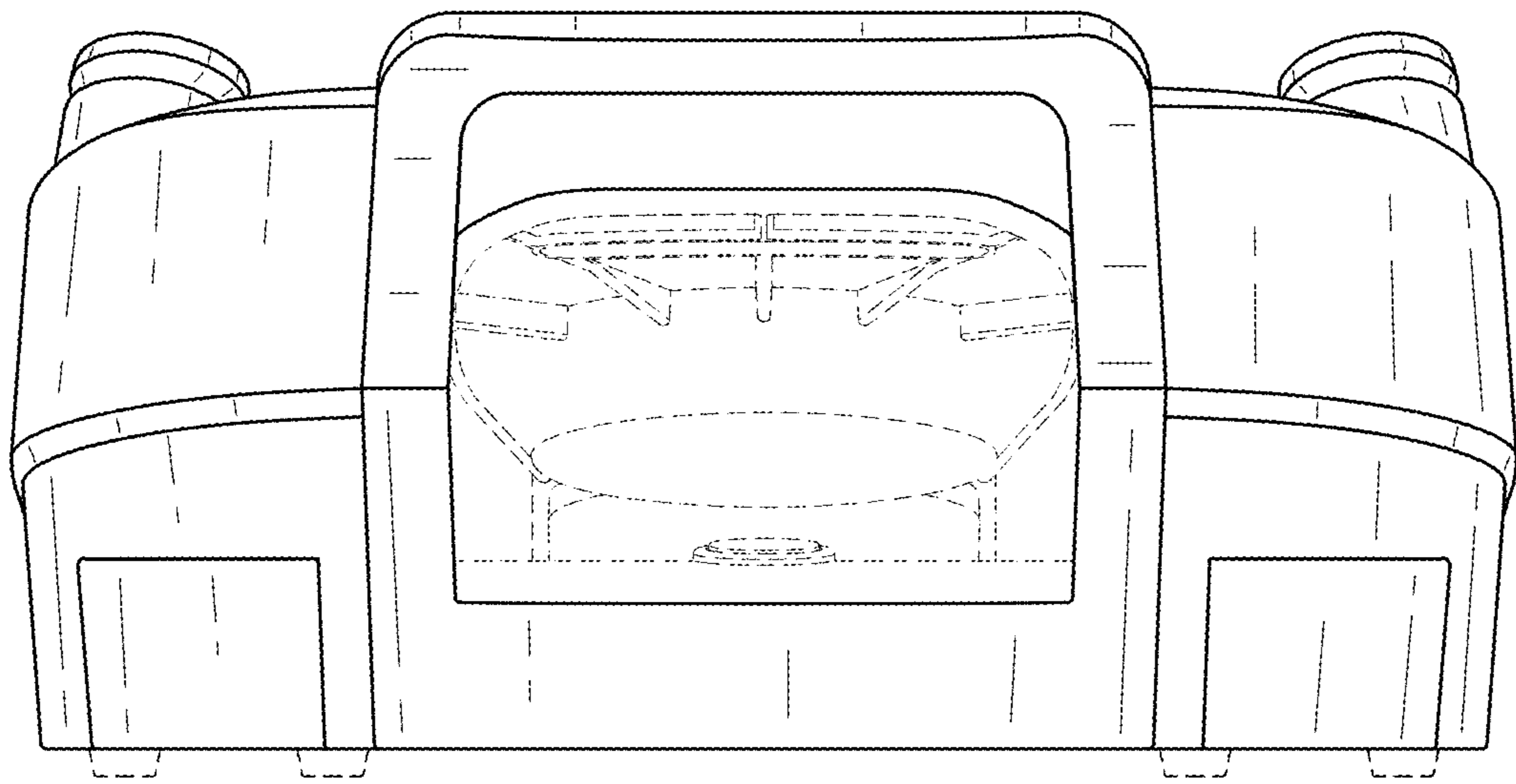


FIG. 5

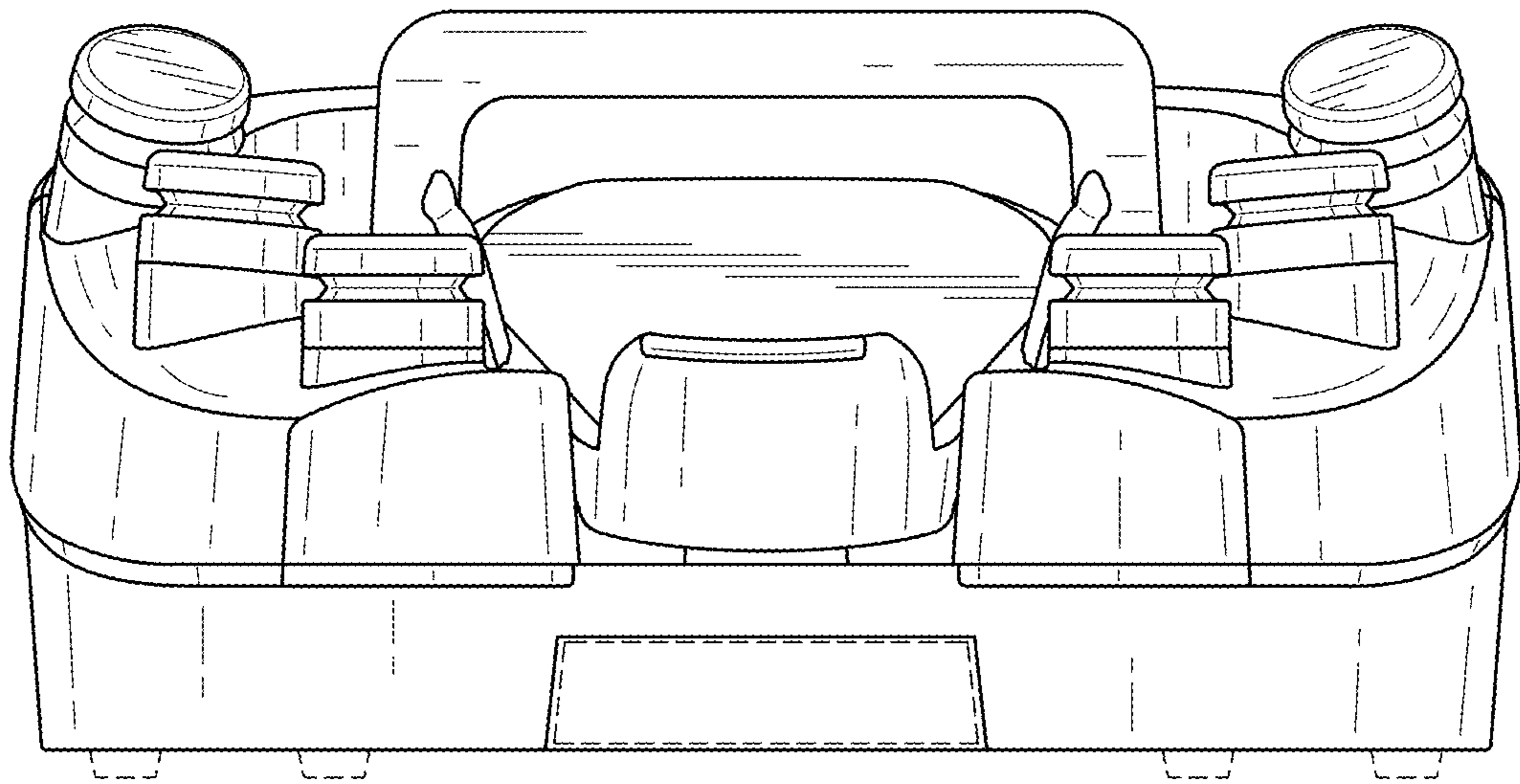


FIG. 6

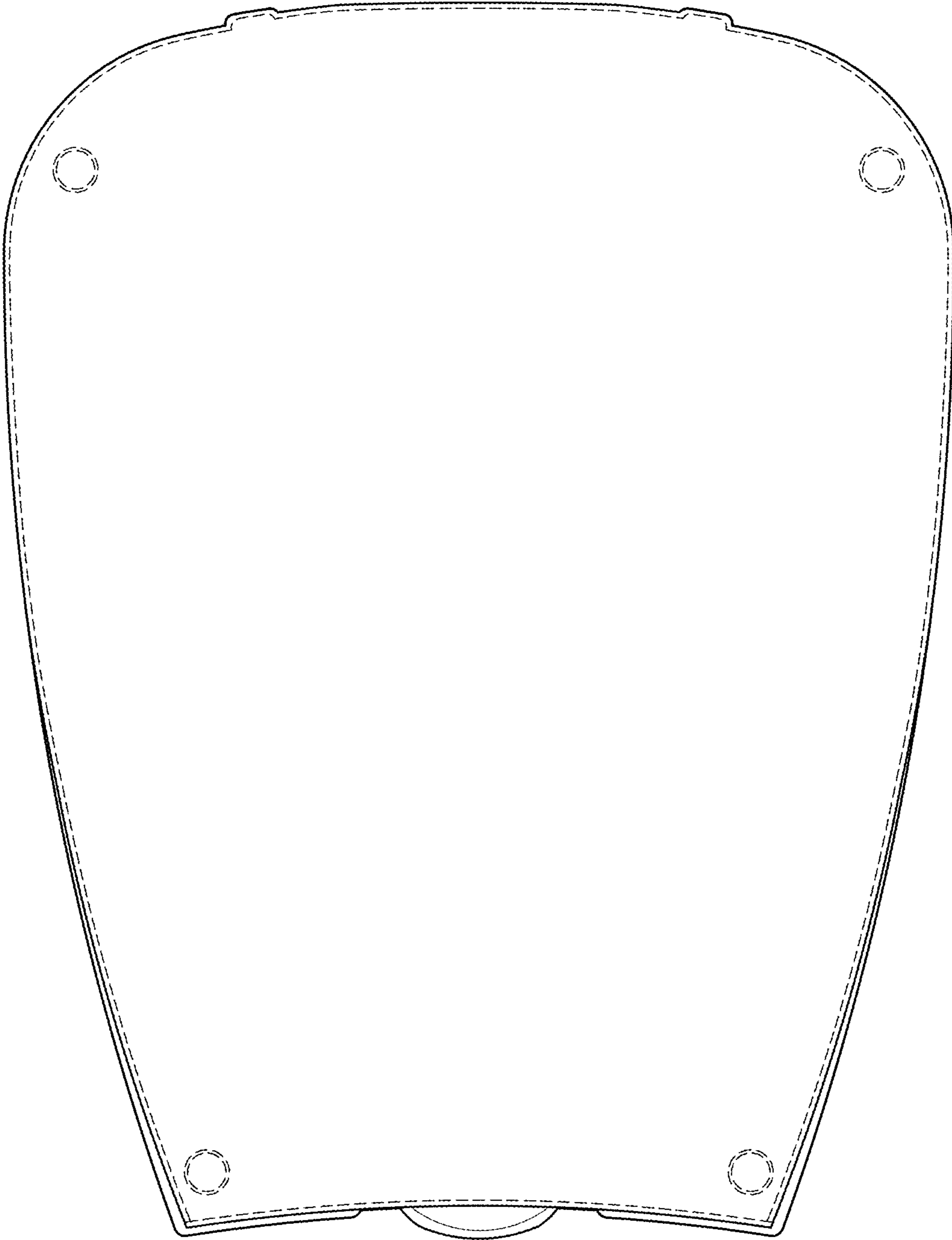


FIG. 7

UNITED STATES PATENT AND TRADEMARK OFFICE
CERTIFICATE OF CORRECTION

PATENT NO. : D956,700 S
APPLICATION NO. : 29/755974
DATED : July 5, 2022
INVENTOR(S) : M. Wamser et al.

Page 1 of 1

It is certified that error appears in the above-identified patent and that said Letters Patent is hereby corrected as shown below:

On the Title Page

Item (30), insert:

-- (30) **Foreign Application Priority Data**

May 12, 2020 (EM) 007887674-0002 --

Signed and Sealed this
Ninth Day of August, 2022



Katherine Kelly Vidal
Director of the United States Patent and Trademark Office

UNITED STATES PATENT AND TRADEMARK OFFICE
CERTIFICATE OF CORRECTION

PATENT NO. : D956,700 S
APPLICATION NO. : 29/755974
DATED : July 5, 2022
INVENTOR(S) : M. Wamser et al.

Page 1 of 1

It is certified that error appears in the above-identified patent and that said Letters Patent is hereby corrected as shown below:

On the Title Page

On Page 2:

Under OTHER PUBLICATIONS, Line 1: delete "Oct. 10, 2020" and insert -- Oct. 16, 2020 -- therefor.

Signed and Sealed this
Thirtieth Day of May, 2023
Katherine Kelly Vidal

Katherine Kelly Vidal
Director of the United States Patent and Trademark Office