

US00D956699S

(12) **United States Design Patent**  
**Wamser et al.**

(10) **Patent No.:** **US D956,699 S**

(45) **Date of Patent:** **\*\* Jul. 5, 2022**

(54) **FOOT PEDAL**

(71) Applicant: **Carl Zeiss Meditec AG**, Jena (DE)

(72) Inventors: **Michael Wamser**, Aalen (DE); **Walter Matuschek**, Aalen (DE); **Steffen Dambacher**, Gauting (DE)

(73) Assignee: **Carl Zeiss Meditec AG**, Jena (DE)

(\*\*) Term: **15 Years**

(21) Appl. No.: **29/755,967**

(22) Filed: **Oct. 23, 2020**

(51) **LOC (13) Cl.** ..... **13-03**

(52) **U.S. Cl.**  
USPC ..... **D13/167**

(58) **Field of Classification Search**  
USPC ..... D13/167, 173, 199; D15/72; D17/20,  
D17/99; D24/179; D14/179  
CPC ..... G10H 1/0008; G10H 1/0056; G10H 1/32;  
G10H 1/34; G10H 1/344; G10H 1/46;  
G10H 1/146; G10H 1/348; G10H 3/146;  
H01H 13/14; H01H 13/16; A61B  
2017/00973

See application file for complete search history.

(56) **References Cited**

**U.S. PATENT DOCUMENTS**

D478,323	S *	8/2003	Peterson	.....	D13/167
6,937,390	B2	8/2005	Akiyama et al.		
7,232,722	B2	6/2007	Kogawa et al.		
D623,209	S	9/2010	Matuschek et al.		
D669,441	S	10/2012	Naef et al.		
D685,021	S *	6/2013	Ridinger	.....	D17/20
8,635,042	B2 *	1/2014	Ma	.....	A61F 9/00745 702/94
D708,593	S *	7/2014	Lynn	.....	D13/179
D727,498	S *	4/2015	Creed	.....	D24/144
D743,036	S	11/2015	Boukhny et al.		

D873,416	S *	1/2020	Koppel	.....	D24/172
10,925,680	B2 *	2/2021	Jawidzik	.....	A61B 34/25
D911,982	S *	3/2021	Colter	.....	D13/167
2004/0036386	A1 *	2/2004	Olivera	.....	A61B 50/13 312/209
2008/0067046	A1 *	3/2008	Dacquay	.....	H01H 3/14 200/86.5
2013/0169412	A1 *	7/2013	Roth	.....	G08B 6/00 340/6.1
2015/0051607	A1 *	2/2015	Hajishah	.....	A61B 90/98 606/107

(Continued)

**OTHER PUBLICATIONS**

U.S. Appl. No. 29/755,974, filed Oct. 23, 2020, Carl Zeiss Meditec AG, Michael Wamser Walter Matuschek Steffen Dambacher.

(Continued)

*Primary Examiner* — Selina Sikder

(74) *Attorney, Agent, or Firm* — Walter Ottesen, P.A.

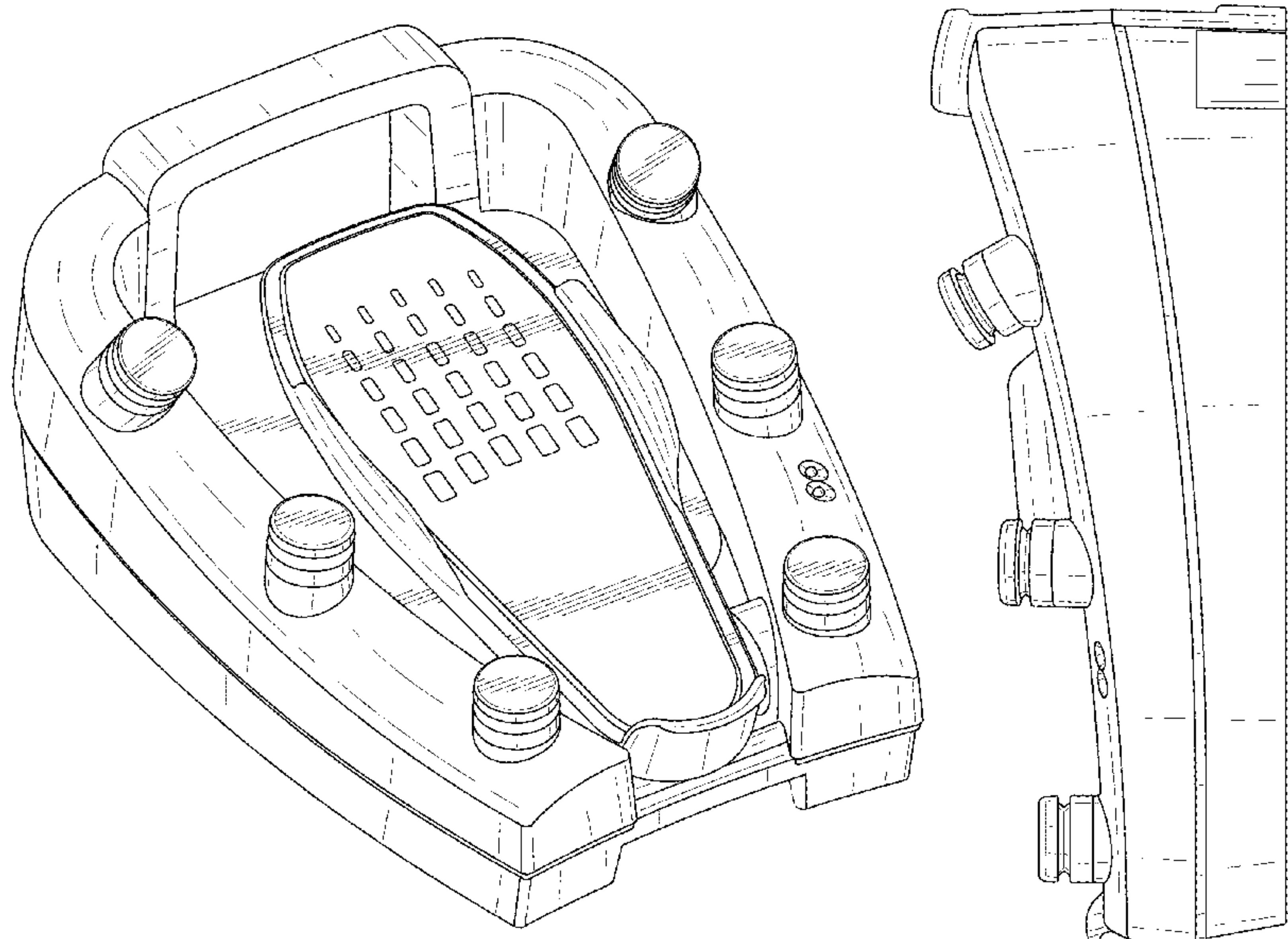
(57) **CLAIM**

The ornamental design for a foot pedal, as shown and described.

**DESCRIPTION**

FIG. 1 is a perspective view of a foot pedal of our new design;  
FIG. 2 is a top plan view of the foot pedal of FIG. 1;  
FIG. 3 is a left side elevation view of the foot pedal of FIG. 1;  
FIG. 4 is a right side elevation view of the foot pedal of FIG. 1;  
FIG. 5 is a rear elevation view of the foot pedal of FIG. 1;  
FIG. 6 is a front elevation view of the foot pedal of FIG. 1; and,  
FIG. 7 is a bottom plan view of the foot pedal of FIG. 1.  
The broken lines form no part of the claimed design.

**1 Claim, 7 Drawing Sheets**



(56)

**References Cited**

U.S. PATENT DOCUMENTS

2021/0035747 A1\* 2/2021 Jawidzik ..... A61F 9/00736

OTHER PUBLICATIONS

U.S. Appl. No. 29/755,090, filed Oct. 16, 2020, Carl Zeiss Meditec AG, Walter Matuschek Steffen Dambacher Dominik Hausen.

U.S. Appl. No. 29/755,095, filed Oct. 16, 2020, Carl Zeiss Meditec AG, Walter Matuschek Steffen Dambacher Dominik Hausen.

“Zeiss Opmi Lumera 700”, Carl Zeiss Meditec AG Brochure, 2014, pp. 3 to 12.

“Opmi Pentero 800 from Zeiss”, Carl Zeiss Meditec AG Brochure, 2015, pp. 1 to 17.

“Opmi Vario from Zeiss”, Carl Zeiss Meditec AG Brochure, 2014, pp. 1 to 12.

\* cited by examiner

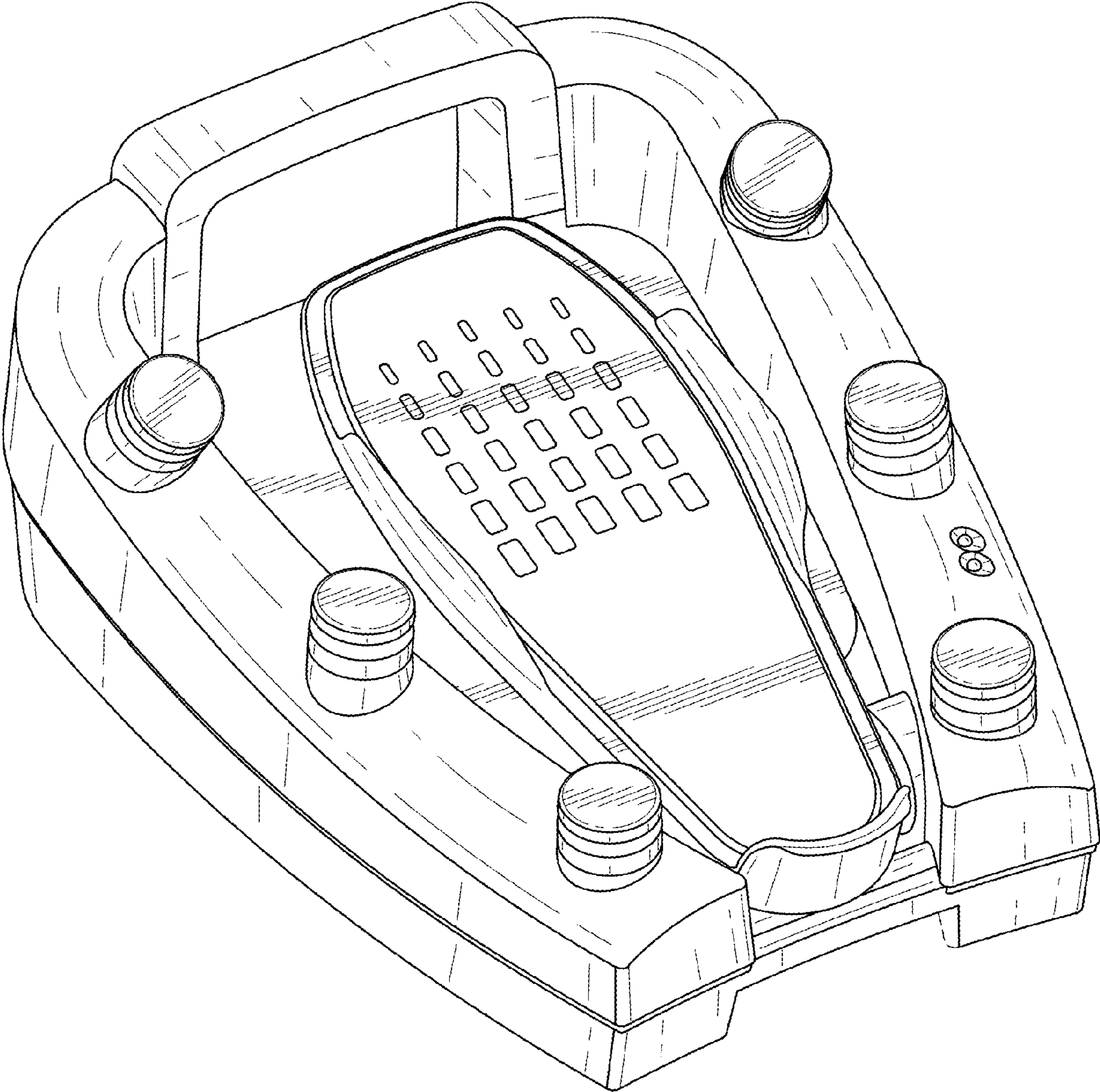


FIG. 1



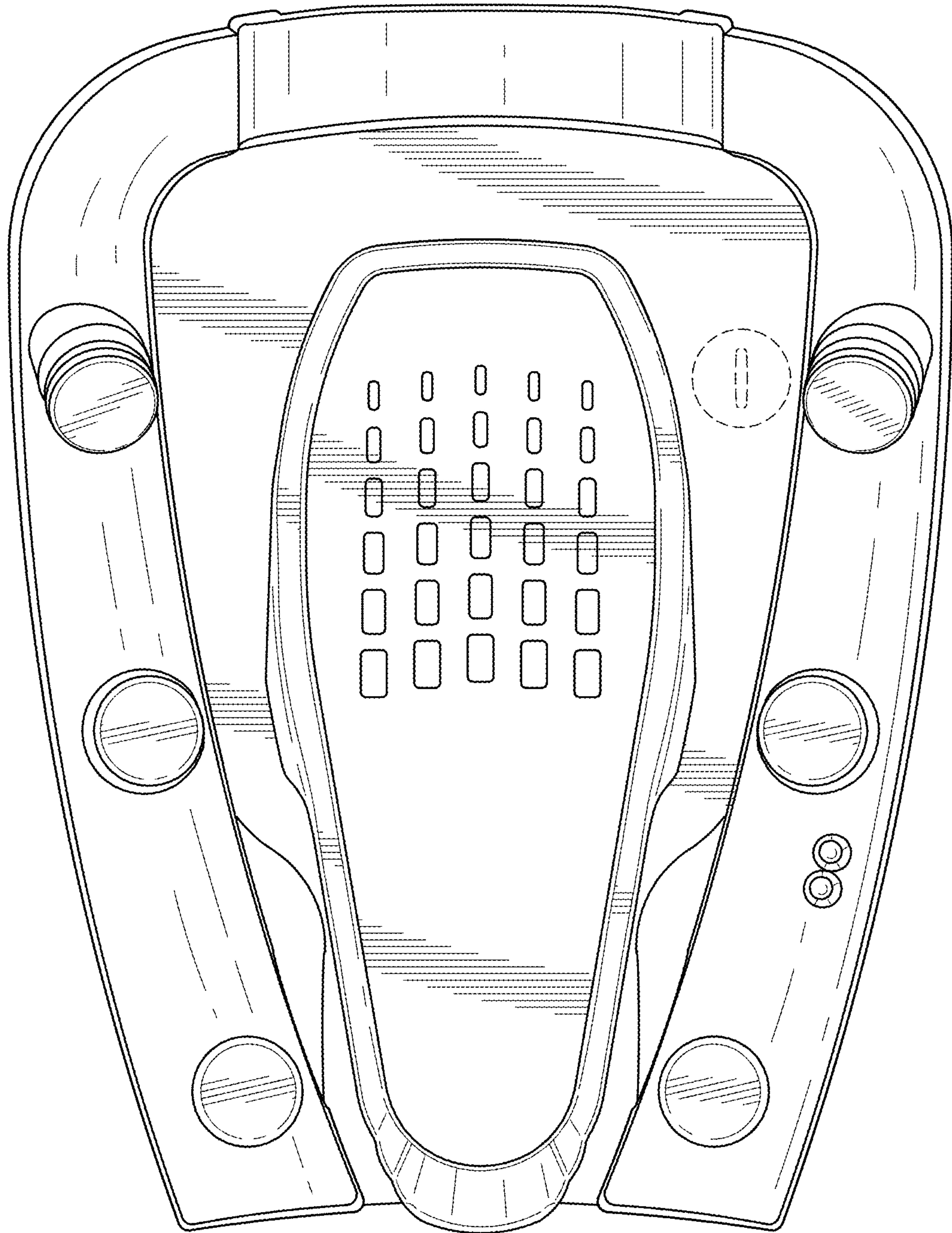


FIG. 2

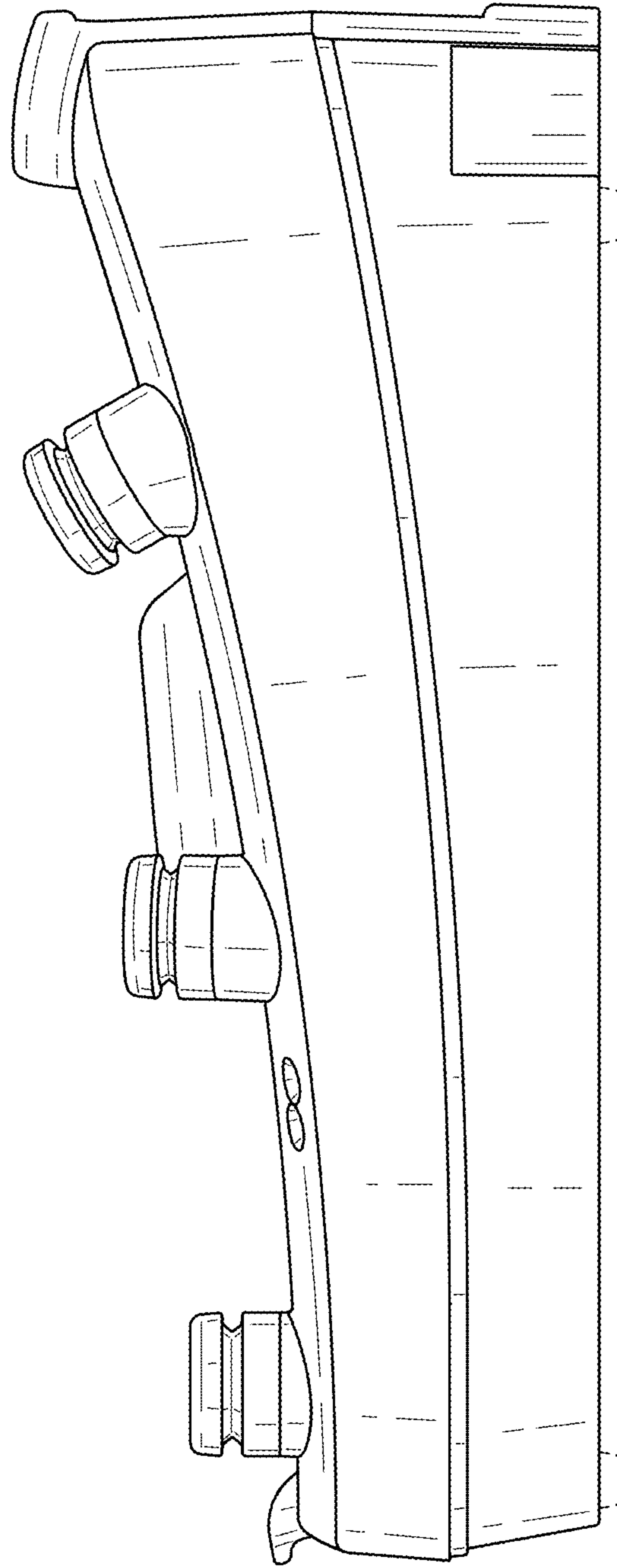


FIG. 3

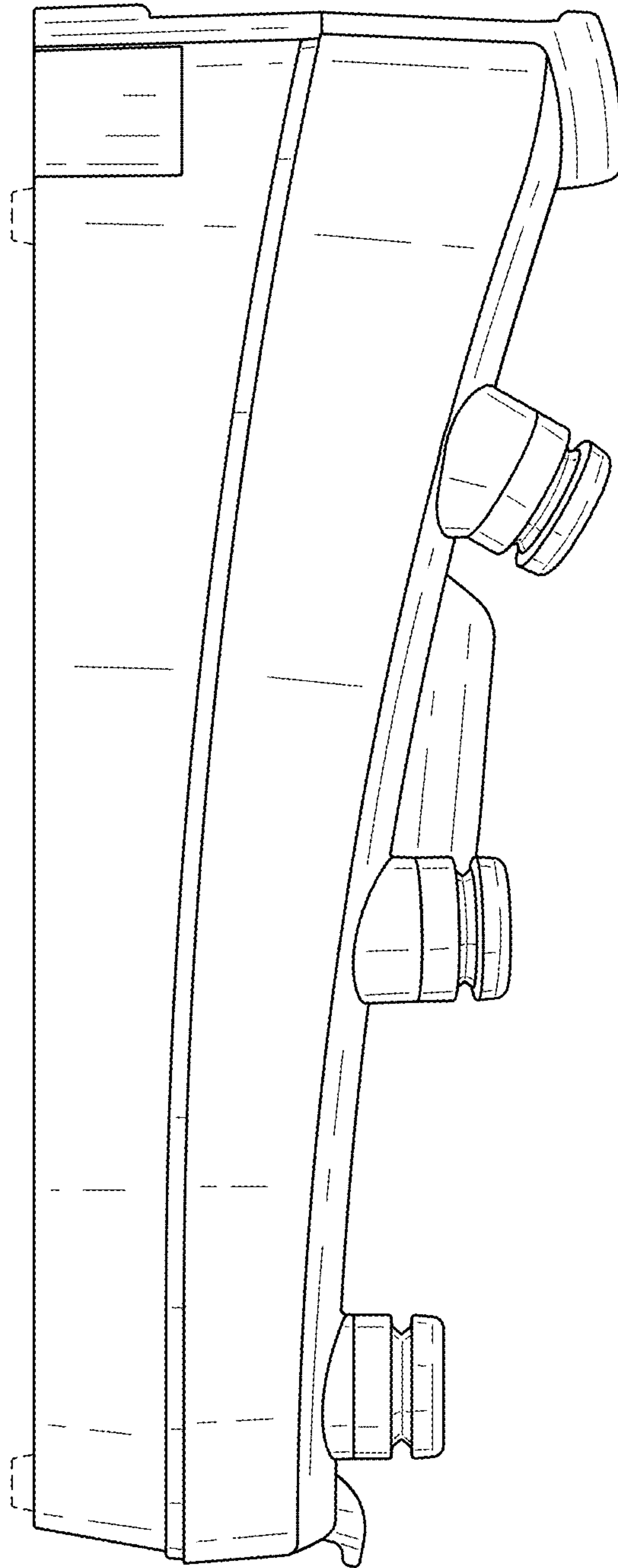


FIG. 4

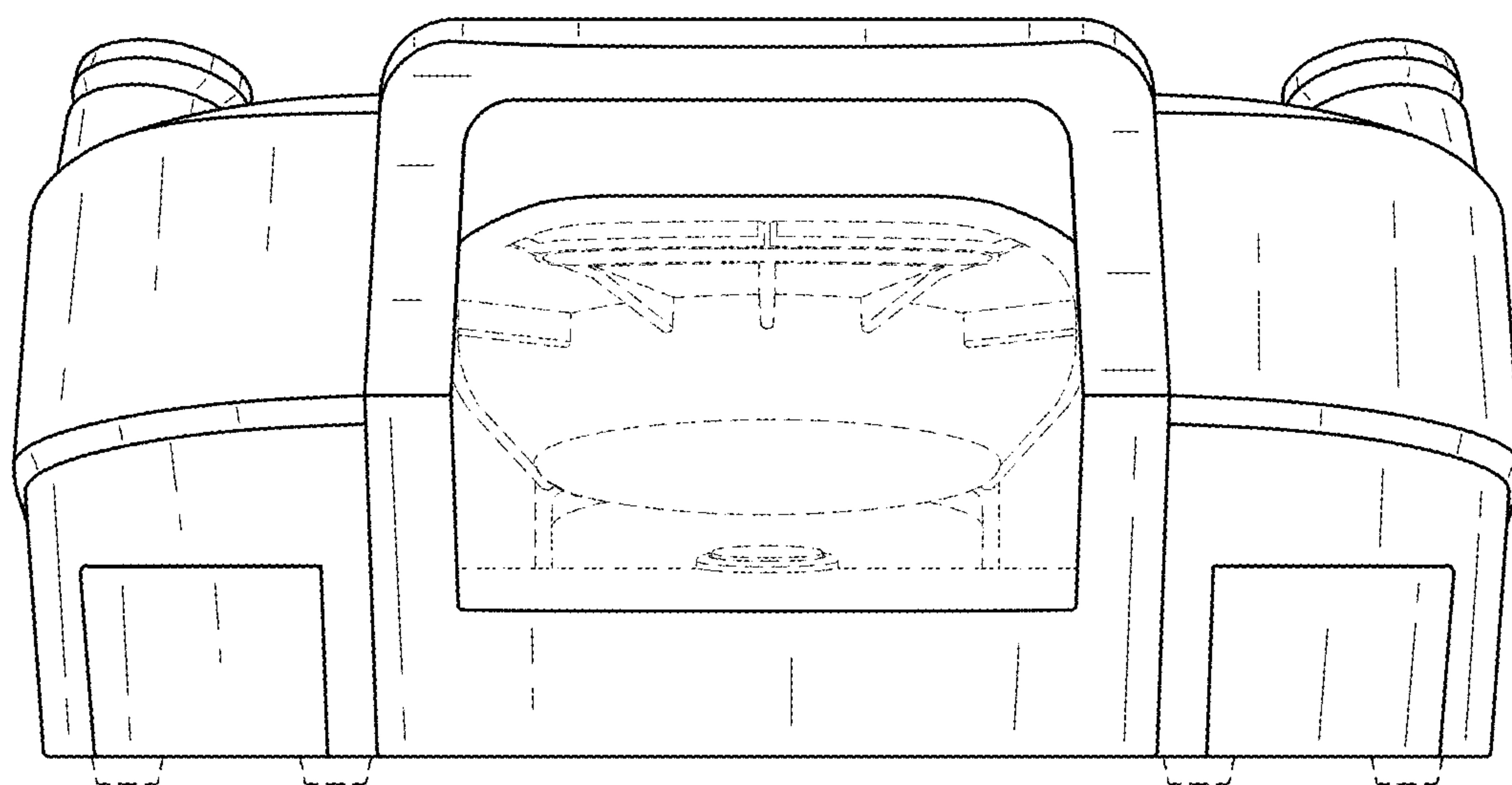


FIG. 5

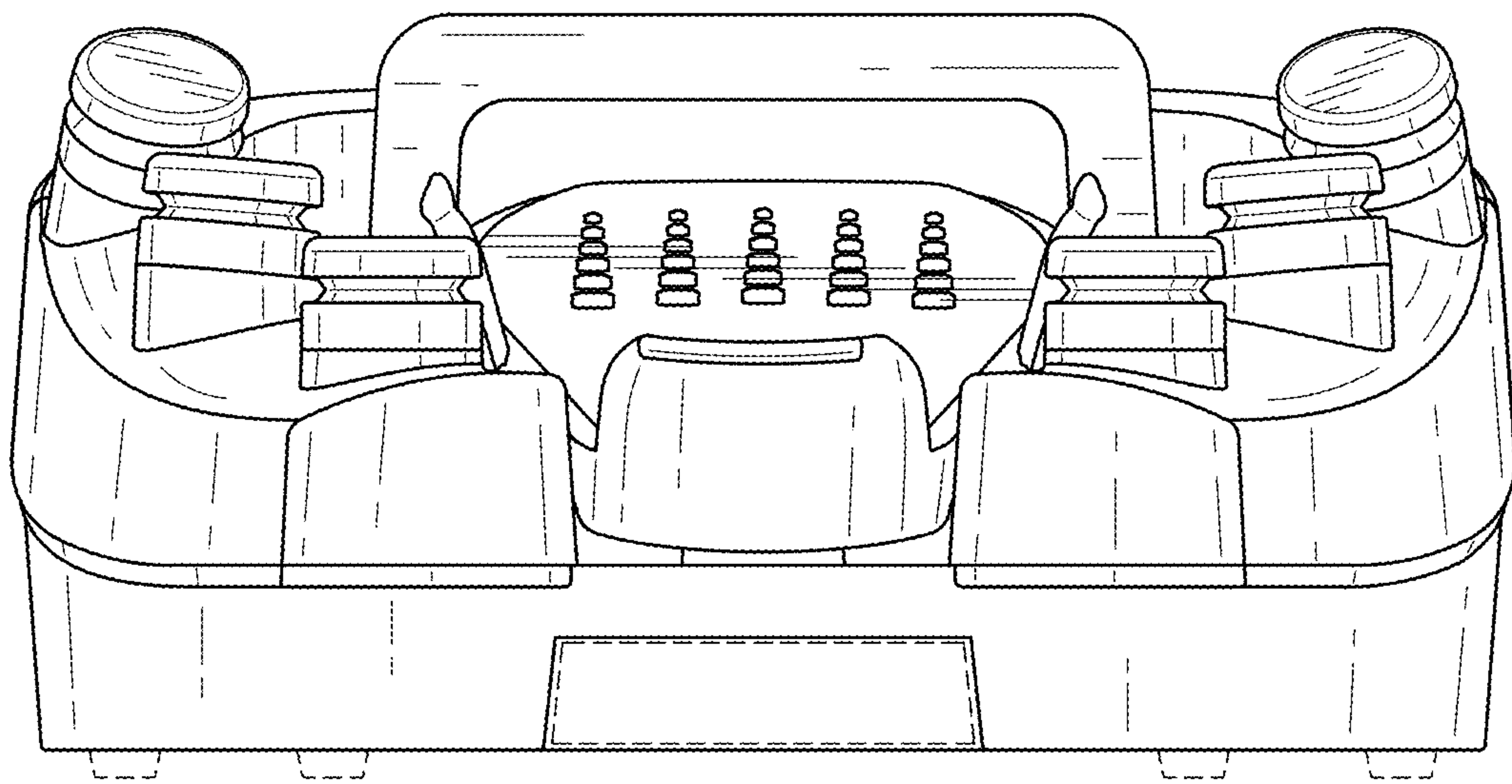


FIG. 6



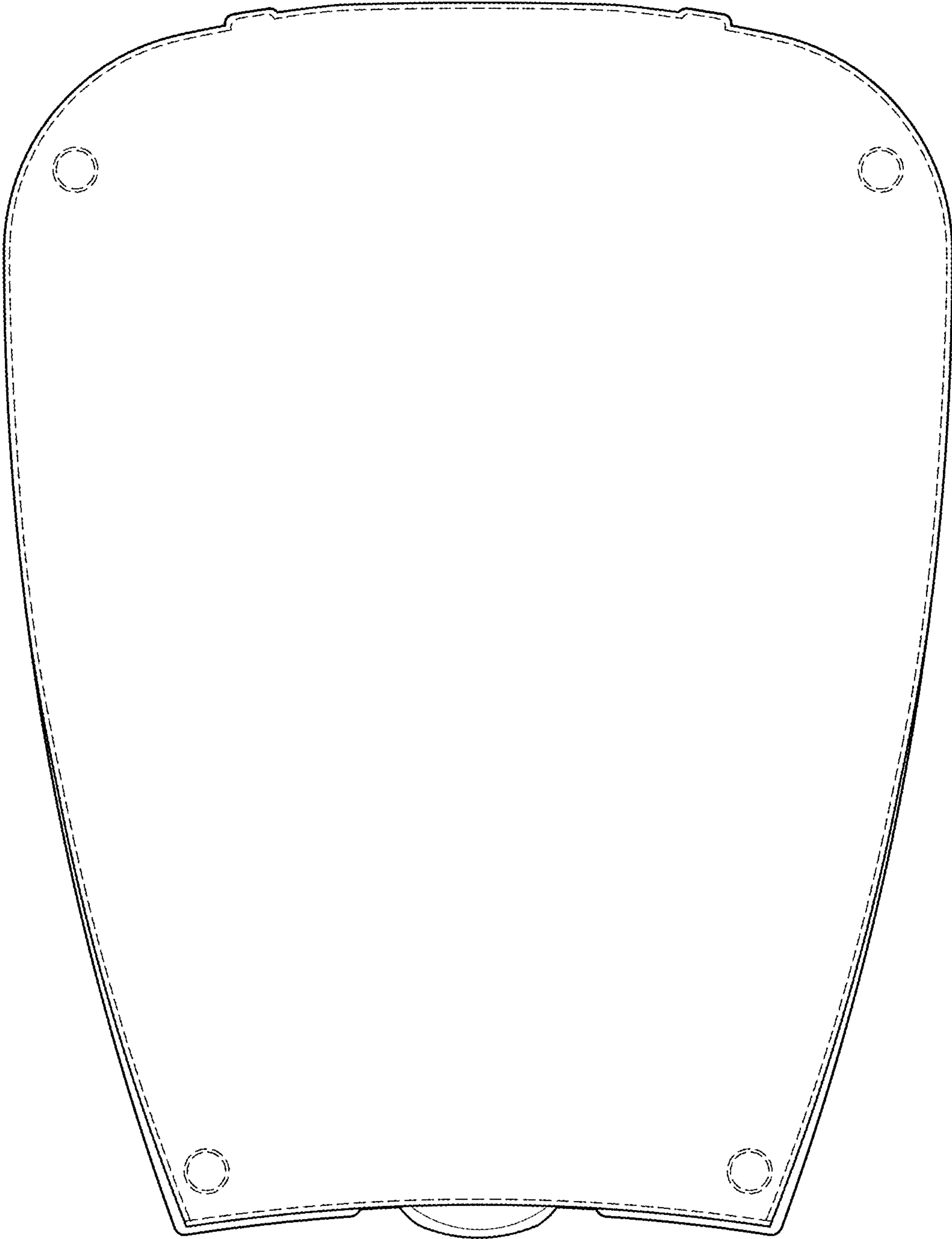


FIG. 7

UNITED STATES PATENT AND TRADEMARK OFFICE  
**CERTIFICATE OF CORRECTION**

PATENT NO. : D956,699 S  
APPLICATION NO. : 29/755967  
DATED : July 5, 2022  
INVENTOR(S) : M. Wamser et al.

Page 1 of 1

It is certified that error appears in the above-identified patent and that said Letters Patent is hereby corrected as shown below:

On the Title Page

Please add:

-- (30) **Foreign Application Priority Data**

May 12, 2020 (EM) . . . . . 007887674-0001 --

Signed and Sealed this  
Ninth Day of August, 2022



Katherine Kelly Vidal  
*Director of the United States Patent and Trademark Office*