



US00D956697S

(12) **United States Design Patent** (10) **Patent No.:** **US D956,697 S**
Zhang (45) **Date of Patent:** **** Jul. 5, 2022**

(54) **USB CABLE**
(71) Applicant: **Xiaolong Zhang**, Shenzhen (CN)
(72) Inventor: **Xiaolong Zhang**, Shenzhen (CN)
(**) Term: **15 Years**

D896,762 S * 9/2020 Hu D13/147
D898,743 S * 10/2020 He D14/433
D904,985 S * 12/2020 Spiegel D13/153
D918,916 S * 5/2021 He D14/433
D925,464 S * 7/2021 Seo D13/153
D931,819 S * 9/2021 Wan D13/147

(Continued)

(21) Appl. No.: **29/740,420**
(22) Filed: **Jul. 3, 2020**

OTHER PUBLICATIONS

USB C Cable, Date First Available: Aug. 6, 2020, [online], [retrieved on Jan. 12, 2022]. Retrieved from Internet ,<URL: https://www.amazon.com/Charging-INIU-Braided-Charger-Samsung/dp/B08F7NRF3K/ref=sr_1_67?crid=1WGOKOPI7WZJ7&keywords=usb+cable&qid=1642034817&srefix=usb+cable%2Caps%2C169&sr=8-67>.*

(Continued)

(30) **Foreign Application Priority Data**

May 15, 2020 (EM) 007949425

(51) **LOC (13) Cl.** **13-03**

(52) **U.S. Cl.**
USPC **D13/147**

(58) **Field of Classification Search**
USPC D13/146, 147, 110, 123, 133, 154, 159,
D13/184, 199, 153; D14/435.1, 358
CPC ... H02J 2007/0062; H01R 4/183; H01R 4/01;
H01R 4/646; H01B 7/04
See application file for complete search history.

Primary Examiner — Bridget L Eland

(57) **CLAIM**

The ornamental design for a USB cable, as shown and described.

DESCRIPTION

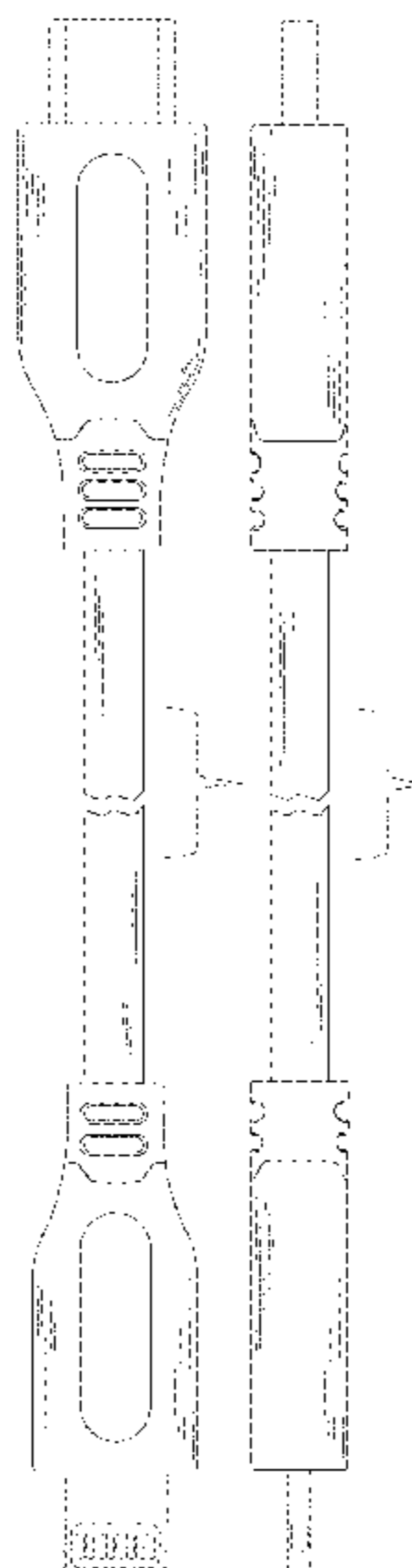
(56) **References Cited**

U.S. PATENT DOCUMENTS

D513,409 S * 1/2006 Suckle D13/156
D516,032 S * 2/2006 Suckle D13/147
D543,156 S * 5/2007 Suckle D13/154
D563,899 S * 3/2008 Goetz D13/154
D586,293 S * 2/2009 Fujino D13/133
D588,547 S * 3/2009 Lee D13/154
D588,995 S * 3/2009 Wu D13/147
D602,871 S * 10/2009 Zhao D13/147
D604,251 S * 11/2009 Hwang D13/154
D637,160 S * 5/2011 Hu D13/147
D644,181 S * 8/2011 Hu D13/147
D675,575 S * 2/2013 Izen D13/147
D716,235 S * 10/2014 Tien D13/147
D754,606 S * 4/2016 Nook D13/133
D820,217 S * 6/2018 Li D13/147
D882,524 S * 4/2020 Rong D13/153

FIG. 1 is a front view of a USB cable showing my new design;
FIG. 2 is a back view thereof;
FIG. 3 is a left side view thereof;
FIG. 4 is a right side view thereof;
FIG. 5 is a top view thereof;
FIG. 6 is a bottom view thereof; and,
FIG. 7 is a perspective view thereof.
The broken lines shown in the drawings depict portions of the USB cable in which the design is embodied that form no part of the claimed design.
The break lines and broken line bracket in the drawings indicate that the appearance of any portion of the article between the break lines forms no part of the claimed design.
The broken line bracket forms no part of the claimed design.

1 Claim, 7 Drawing Sheets



(56)

References Cited

U.S. PATENT DOCUMENTS

D935,418 S * 11/2021 Zhang D13/147

OTHER PUBLICATIONS

Besgoods, Date First Available: Jul. 8, 2018, [online], [retrieved on Jan. 12, 2022]. Retrieved from Internet ,<URL: [6 inch Short USB C, Date First Available: Dec. 8, 2020, \[online\], \[retrieved on Jan. 12, 2022\]. Retrieved from Internet ,<URL: \[* cited by examiner\]\(https://www.amazon.com/Durable-Charging-Station-Compatible-Samsung/dp/B08PYJ1N9L/ref=sr_1_224_sspa?crd=1WGOKOPI7WZJ7&keywords=usb%2Bcable&qid=1642036156&sprefix=usb%2Bcable%2Caps%2C169&sr=8-224-spons&spLa=ZW5jcnlwdGVkUXVhbGlmaWVyPUEwNDc4NDE1MVEzSjA2RDdUMIJSQiZlbnNyeXB0ZWRBZEIkPUEwNDcxMjAzMUJJREdKMjQwSkxHSSZ3aWRnZXROYW1IPXNwX210ZiZhY3Rpb249Y2xpY2tSZWRpcmVjdCZkb05vdExvZ0NsaWNrPXRydWU&th=1>.*</p></div><div data-bbox=\)](https://www.amazon.com/Besgoods-4-Pack-3FT-Male-Cable/dp/B07FCWS5QC/ref=sr_1_70_sspa?crd=1WGOKOPI7WZJ7&keywords=usb%2Bcable&qid=1642034817&sprefix=usb%2Bcable%2Caps%2C169&sr=8-70-spons&spLa=ZW5jcnlwdGVkUXVhbGlmaWVyPUEySEE0UzA5UudWVTBEJmVuY3J5cHRIZEIkPUEwNDc4NDE1MVEzSjA2RDdUMIJSQiZlbnNyeXB0ZWRBZEIkPUEwNDcxMjAzMUJJREdKMjQwSkxHSSZ3aWRnZXROYW1IPXNwX210ZiZhY3Rpb249Y2xpY2tSZWRpcmVjdCZkb05vdExvZ0NsaWNrPXRydWU&th=1>.*</p></div><div data-bbox=)

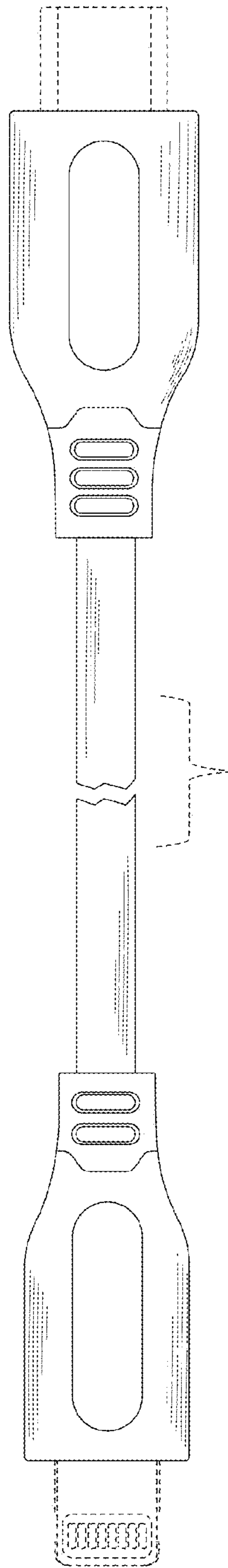


FIG. 1

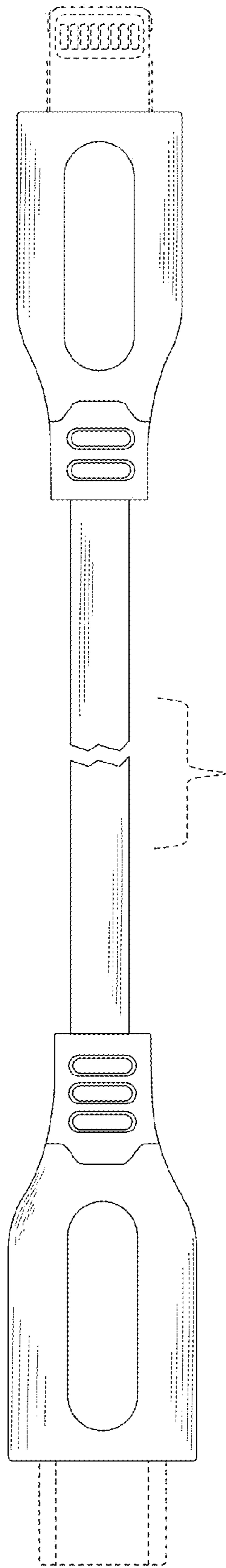


FIG. 2

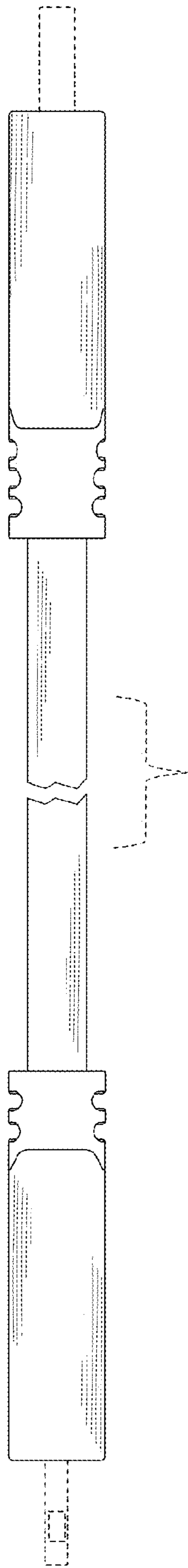


FIG. 3

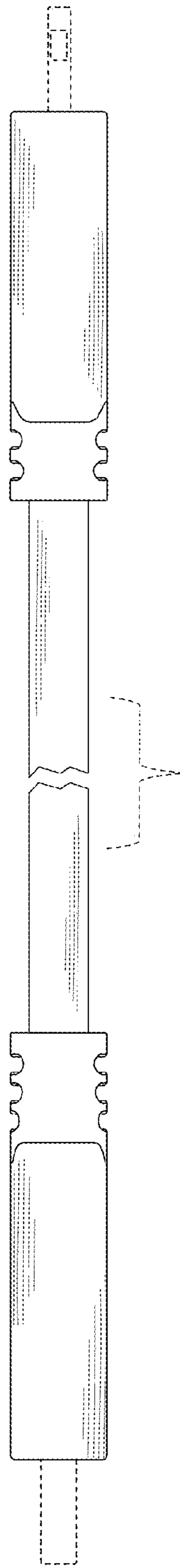


FIG. 4

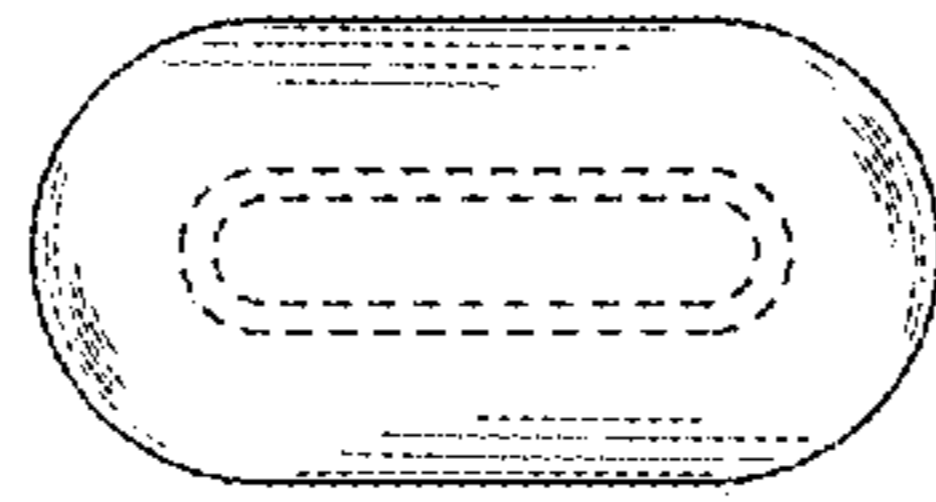


FIG. 5

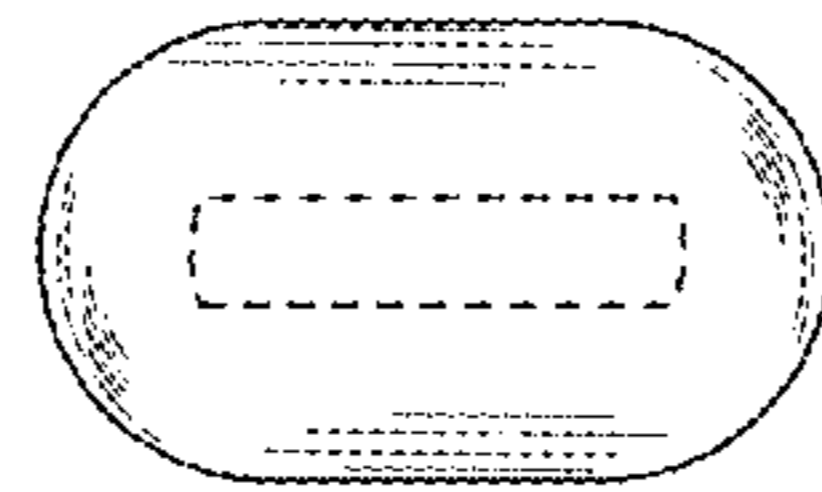


FIG. 6

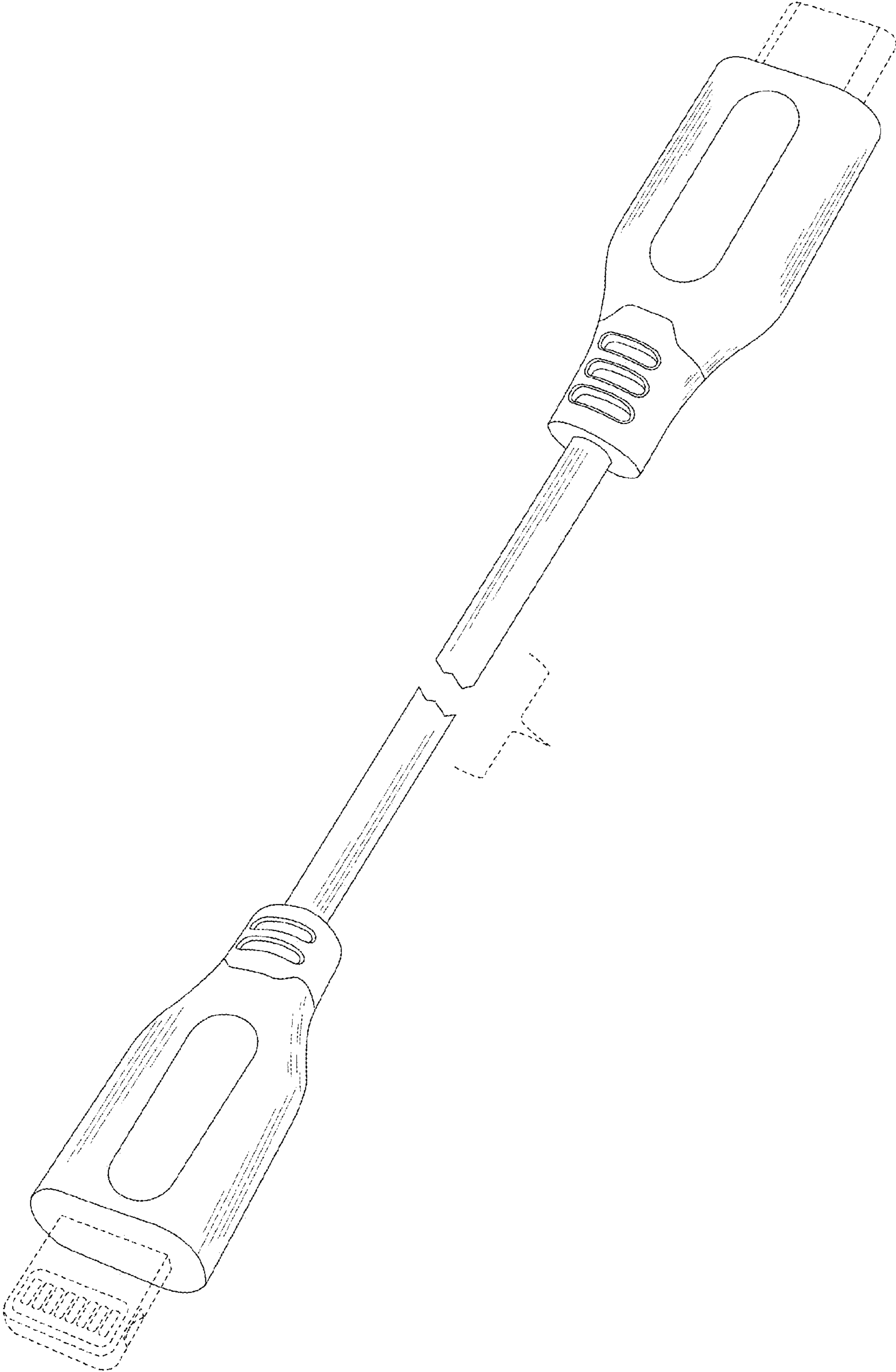


FIG. 7