

US00D956696S

(12) **United States Design Patent**
Torma

(10) **Patent No.:** **US D956,696 S**

(45) **Date of Patent:** **** Jul. 5, 2022**

(54) **CONNECTOR**

(71) Applicant: **STAUBLI ELECTRICAL CONNECTORS AG**, Allschwil (CH)

(72) Inventor: **Andreas Torma**, Lorrach (DE)

(73) Assignee: **STÄUBLI ELECTRICAL CONNECTORS AG**, Allschwil (CH)

(**) Term: **15 Years**

(21) Appl. No.: **29/711,618**

(22) Filed: **Nov. 1, 2019**

(30) **Foreign Application Priority Data**

May 13, 2019 (WO) DM/202743

(51) **LOC (13) Cl.** **13-03**

(52) **U.S. Cl.**
USPC **D13/133**

(58) **Field of Classification Search**

USPC D13/133, 146, 147, 123, 184, 199, 118,
D13/120, 154, 155, 173; D14/433, 434,
D14/438, 242, 356, 435.1, 388, 496, 256
CPC H01R 13/52; H01R 13/74; H01R 13/5213;
H01R 13/5202; H01R 13/5208; H01R
13/62; H01R 2201/00; H01R 9/223;
H01R 4/4818; H01R 4/24; H01R 4/48;
H01R 4/38; H01R 4/2441; H01R 4/2458;
H01R 4/60; H02S 40/34; H02S 40/30
See application file for complete search history.

(56) **References Cited**

U.S. PATENT DOCUMENTS

D589,445 S * 3/2009 Arai D13/133
D618,616 S * 6/2010 Kesler D13/133
D670,647 S * 11/2012 Ebihara D13/133
D670,649 S * 11/2012 Ebihara D13/133
D670,650 S * 11/2012 Ebihara D13/133

(Continued)

OTHER PUBLICATIONS

MC4 compatible T-branch cable connectors. Date: Jun. 10, 2013. [online], [Site visited Apr. 1, 2021], Available from Internet URL: <https://www.amazon.co.uk/dp/B00985T7U2/> (Year: 2013).*

(Continued)

Primary Examiner — Brett Miller

Assistant Examiner — Landon Thomas Cassell

(74) *Attorney, Agent, or Firm* — Sughrue Mion, PLLC

(57) **CLAIM**

The ornamental design for a connector, as shown and described.

DESCRIPTION

FIG. 1 is a left side perspective view from the front of a first embodiment of a connector that is the subject of the invention;

FIG. 2 is a right side elevational view thereof;

FIG. 3 is a rear view thereof;

FIG. 4 is a top view thereof;

FIG. 5 is a left side perspective view from the bottom thereof;

FIG. 6 is a front view thereof;

FIG. 7 is a bottom view thereof;

FIG. 8 is a left side elevational view thereof;

FIG. 9 is a right side elevational view of a second embodiment of a connector that is the subject of the invention;

FIG. 10 is a bottom view thereof;

FIG. 11 is a left side perspective view from the bottom thereof;

FIG. 12 is a rear view thereof;

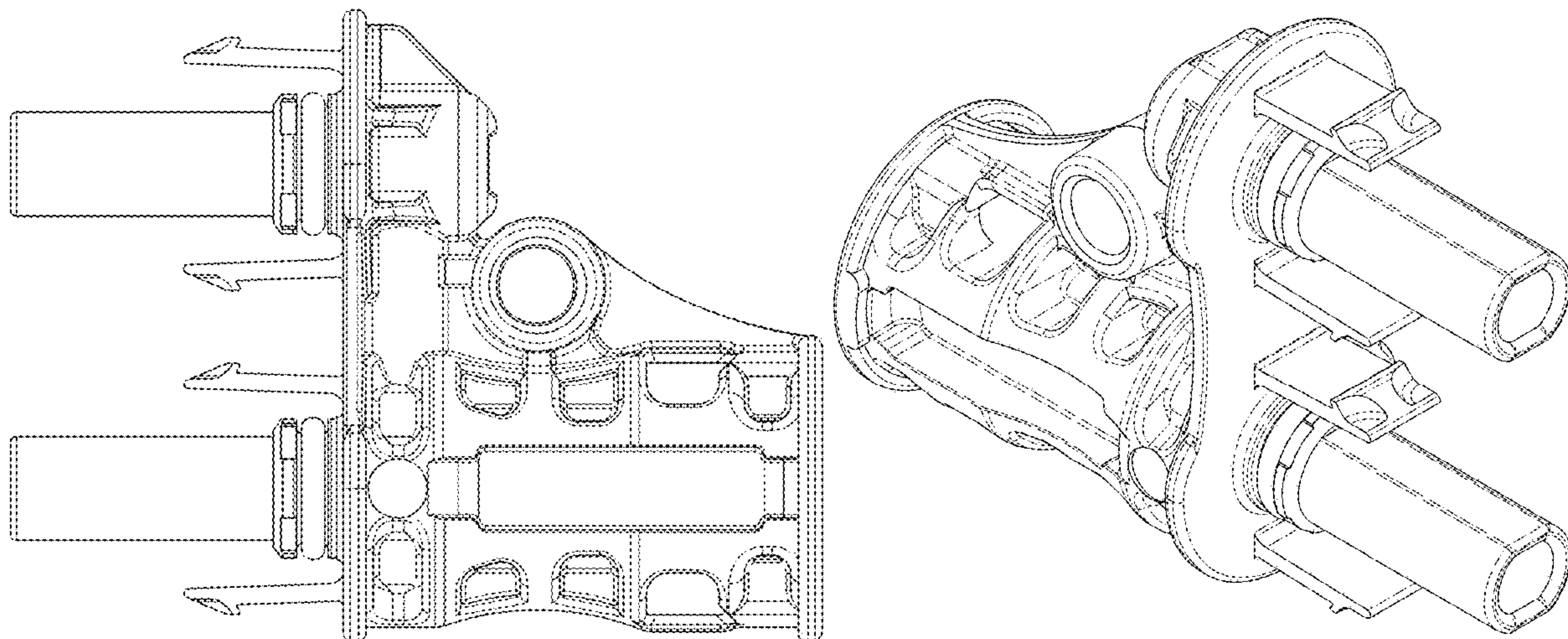
FIG. 13 is a left side elevational view thereof;

FIG. 14 is a front view thereof;

FIG. 15 is a left side perspective view from the front thereof; and,

FIG. 16 is a top view thereof.

1 Claim, 16 Drawing Sheets



(56)

References Cited

U.S. PATENT DOCUMENTS

D673,118	S	*	12/2012	Giefers	D13/133
D682,209	S	*	5/2013	Henrink	D13/133
D691,949	S	*	10/2013	Torma	D13/133
D692,381	S	*	10/2013	Torma	D13/133
D700,576	S	*	3/2014	Torma	D13/133
D714,723	S	*	10/2014	Vogelmann	D13/133
D722,971	S	*	2/2015	Smith	D13/147
D723,467	S	*	3/2015	Smith	D13/146
D735,671	S	*	8/2015	Kuhnert	D13/146
10,355,638	B2	*	7/2019	Lu	H02G 3/14
10,658,833	B2	*	5/2020	Galín	H02S 40/34
D902,861	S	*	11/2020	Hirmke	D13/133

OTHER PUBLICATIONS

Branch Connector MC4-Evo 2. Date: Not listed, [online]. [Site visited Apr. 1, 2021]. Available from Internet URL: <https://www.staubli.com/en-us/file/26786.show> (Year: NA).*

Solar Panel Cable. Date: Jun. 14, 2018. [online]. [Site visited Apr. 1, 2021]. Available from Internet URL: <https://www.amazon.co.uk/dp/B078TNM53T/> (Year: 2018).*

Connectors. (Design © Questel) orbit.com. [Online PDF compilation of references] 16 pgs. Print Dates Range Oct. 12, 2016-Feb. 22, 2019 [Retrieved Apr. 2, 2021] <https://www.orbit.com/export/UCZAH96B/pdf4/3ab579e5-3e59-4748-a9c6-956b642ab6dc-192743.pdf> (Year: 2021).*

* cited by examiner

FIG. 1

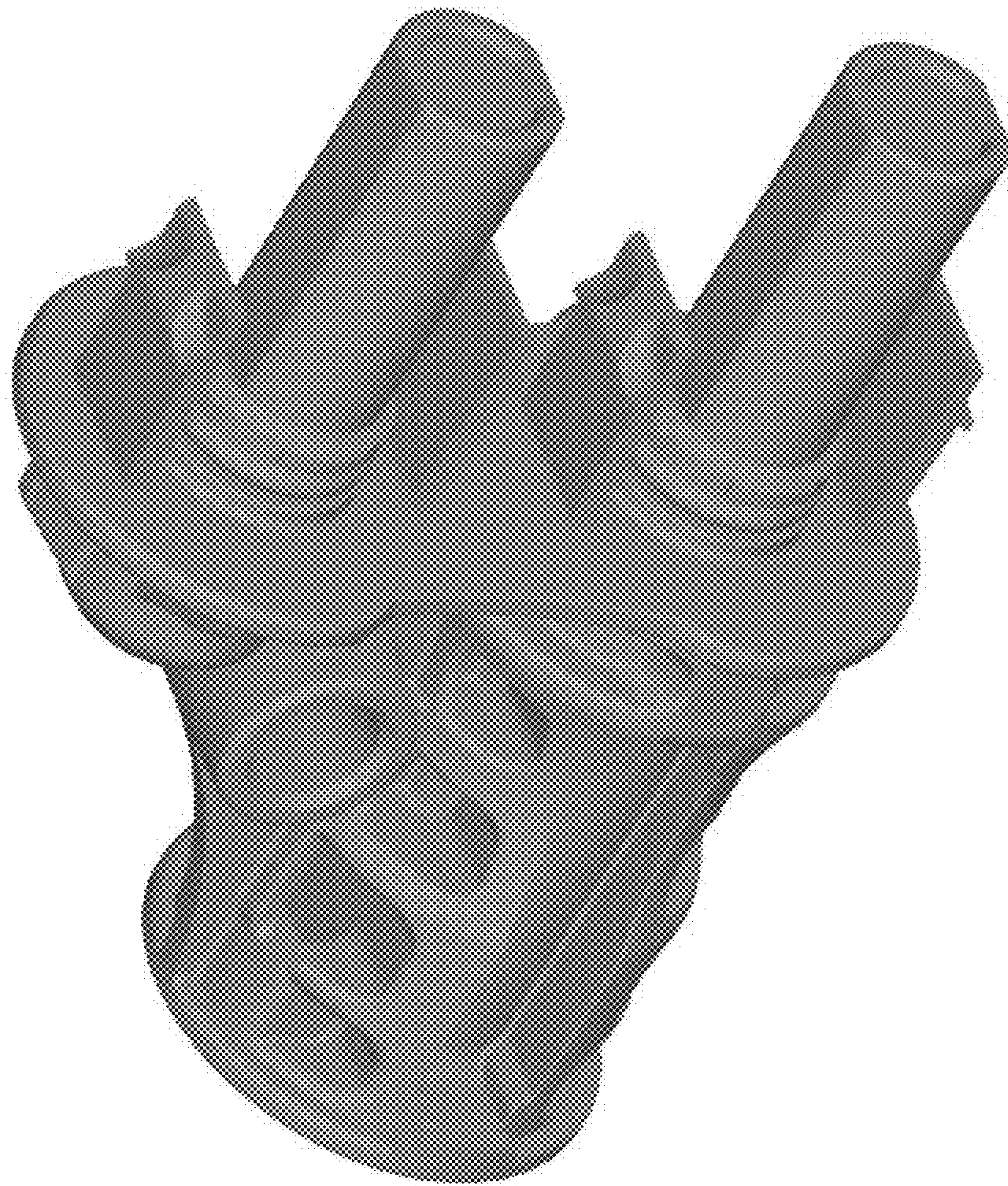


FIG. 2

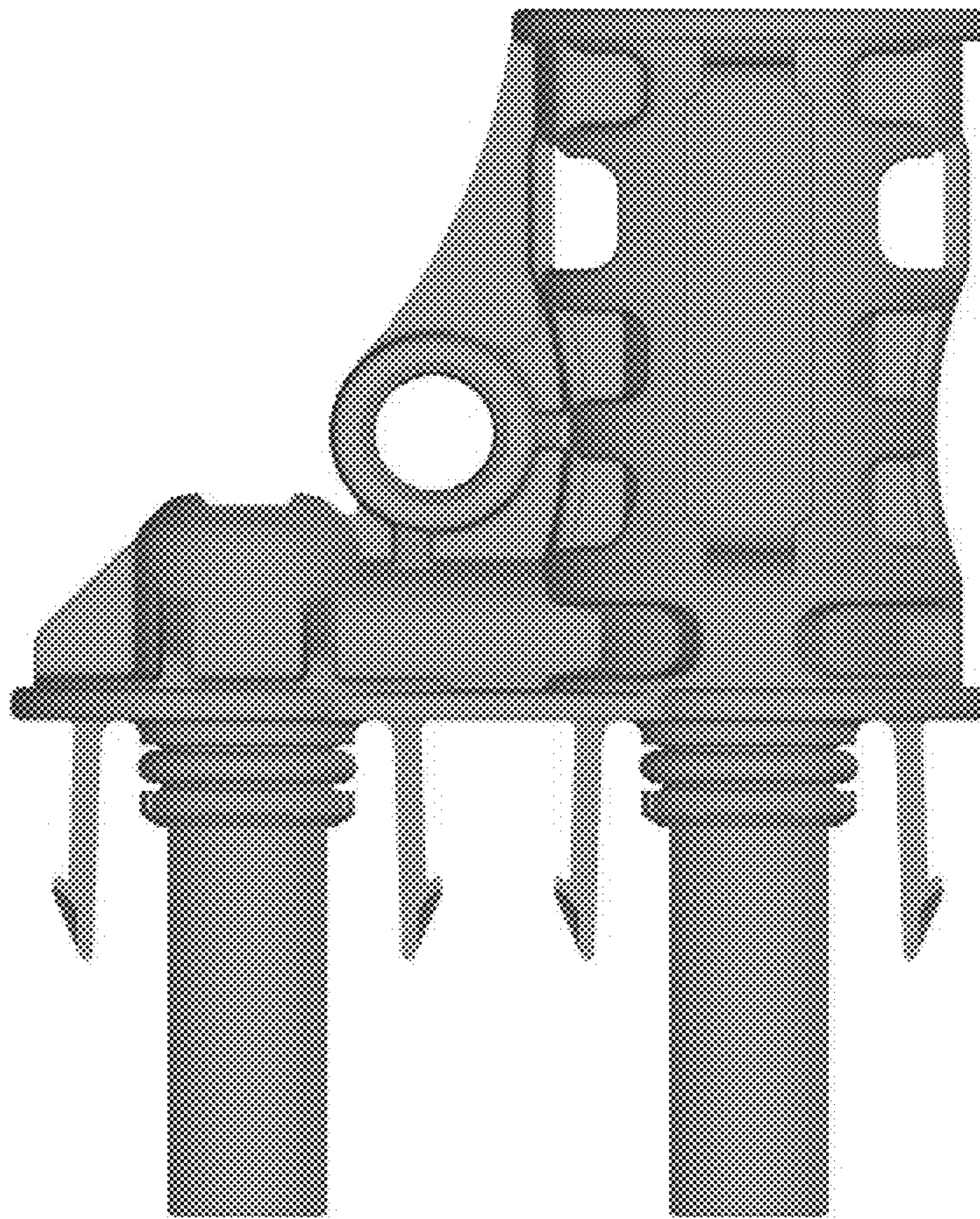


FIG. 3

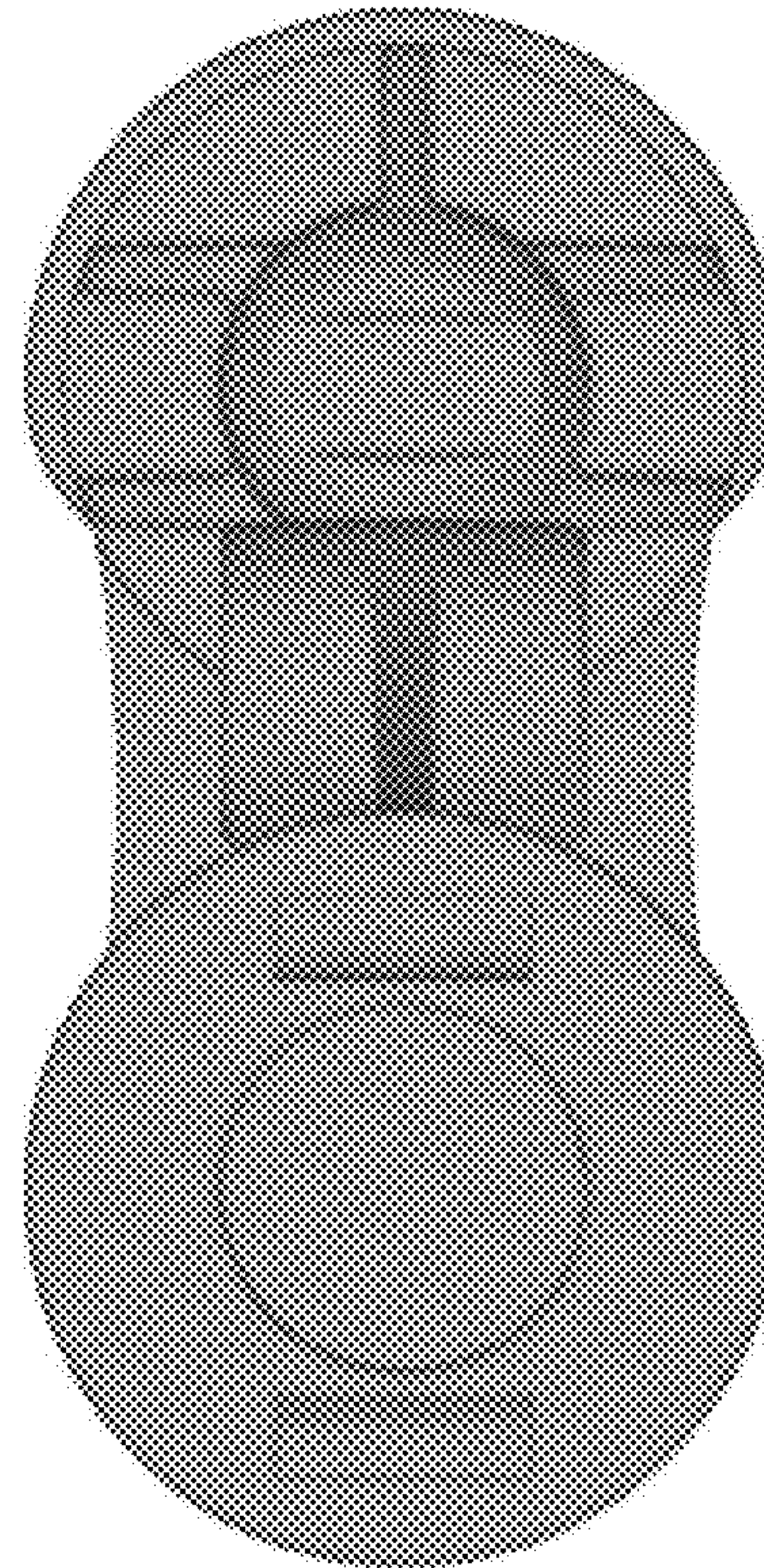


FIG. 4

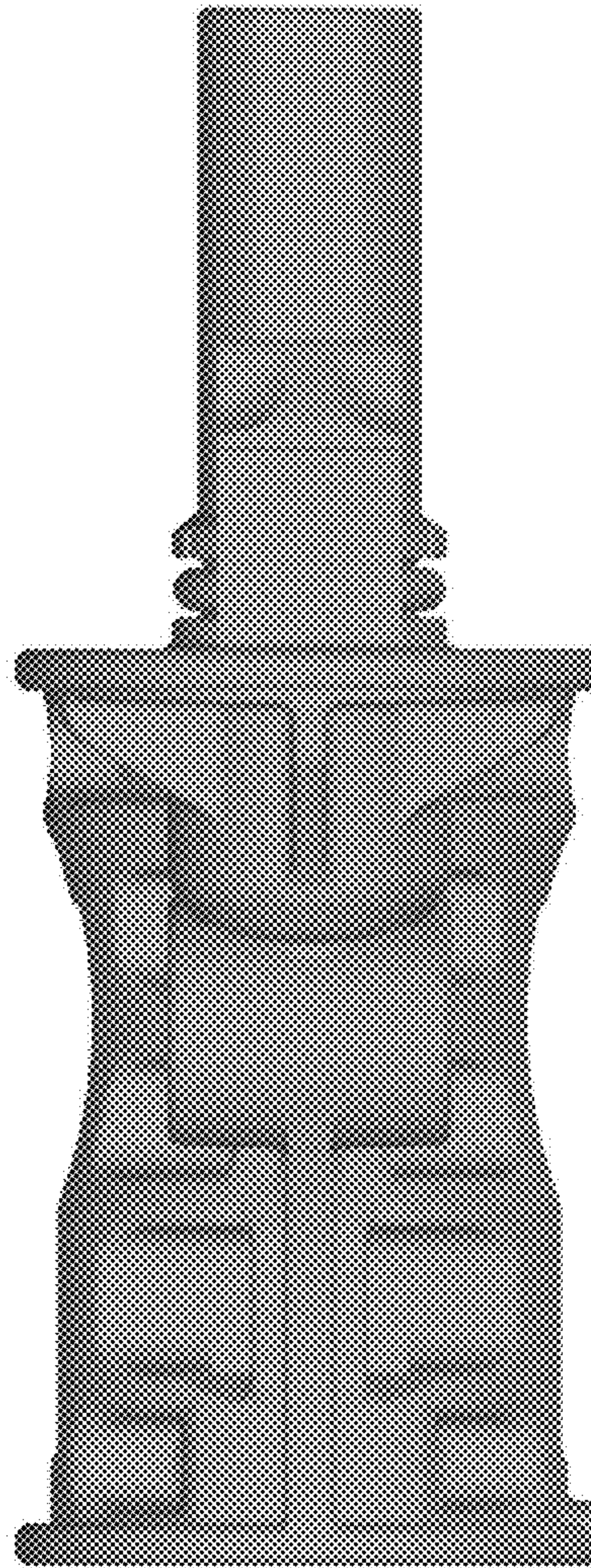


FIG. 5

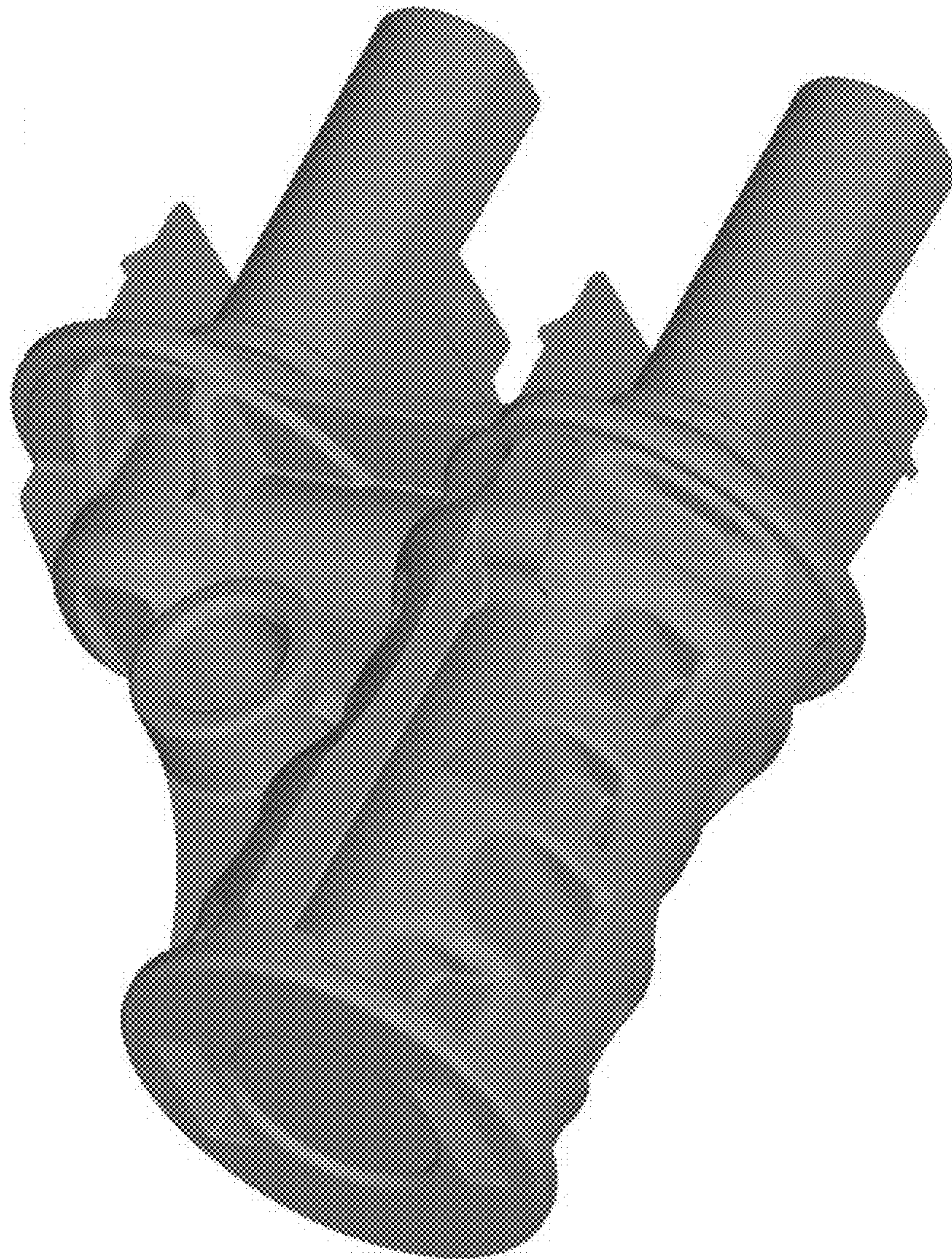


FIG 6

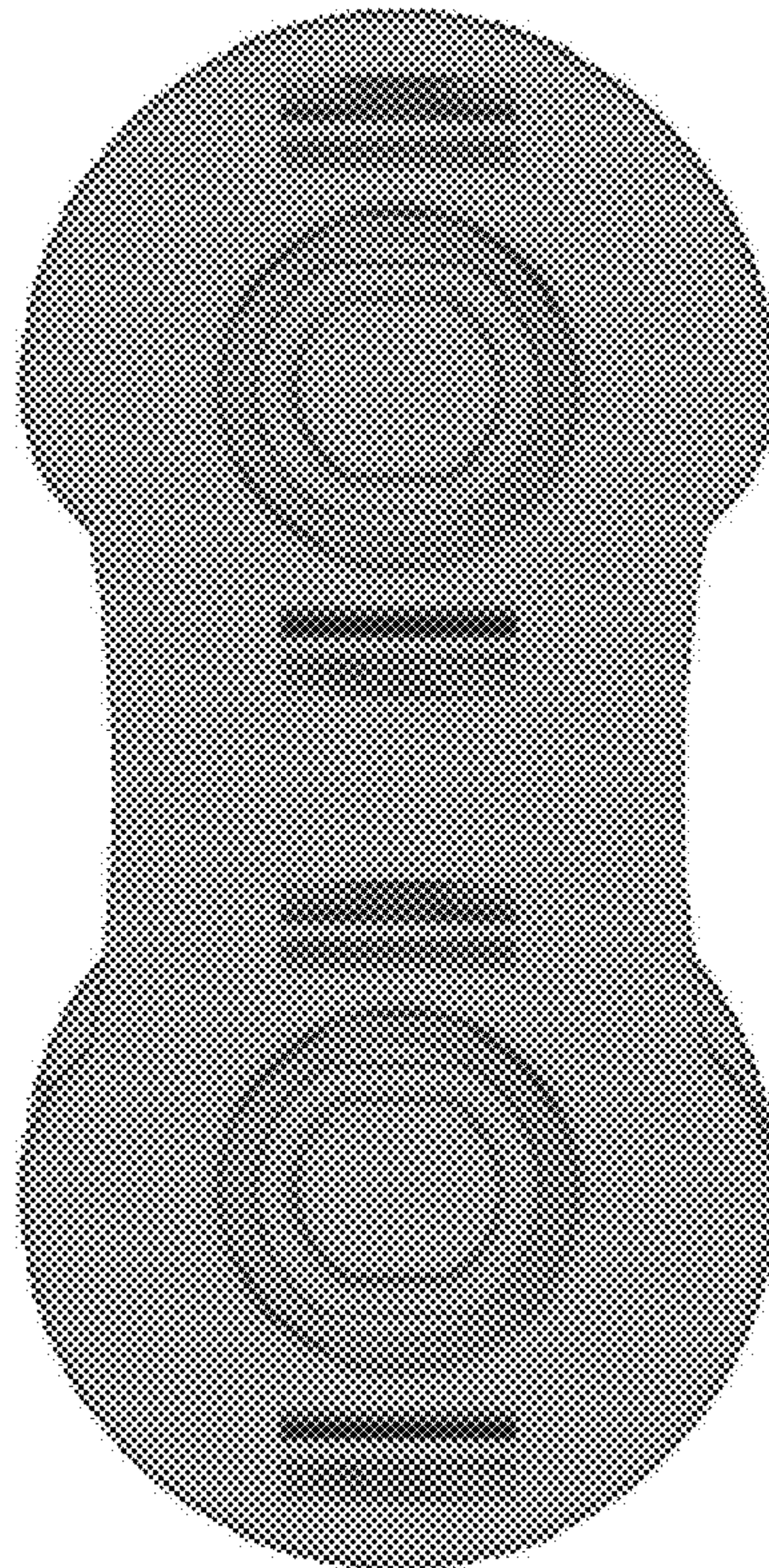


FIG. 7

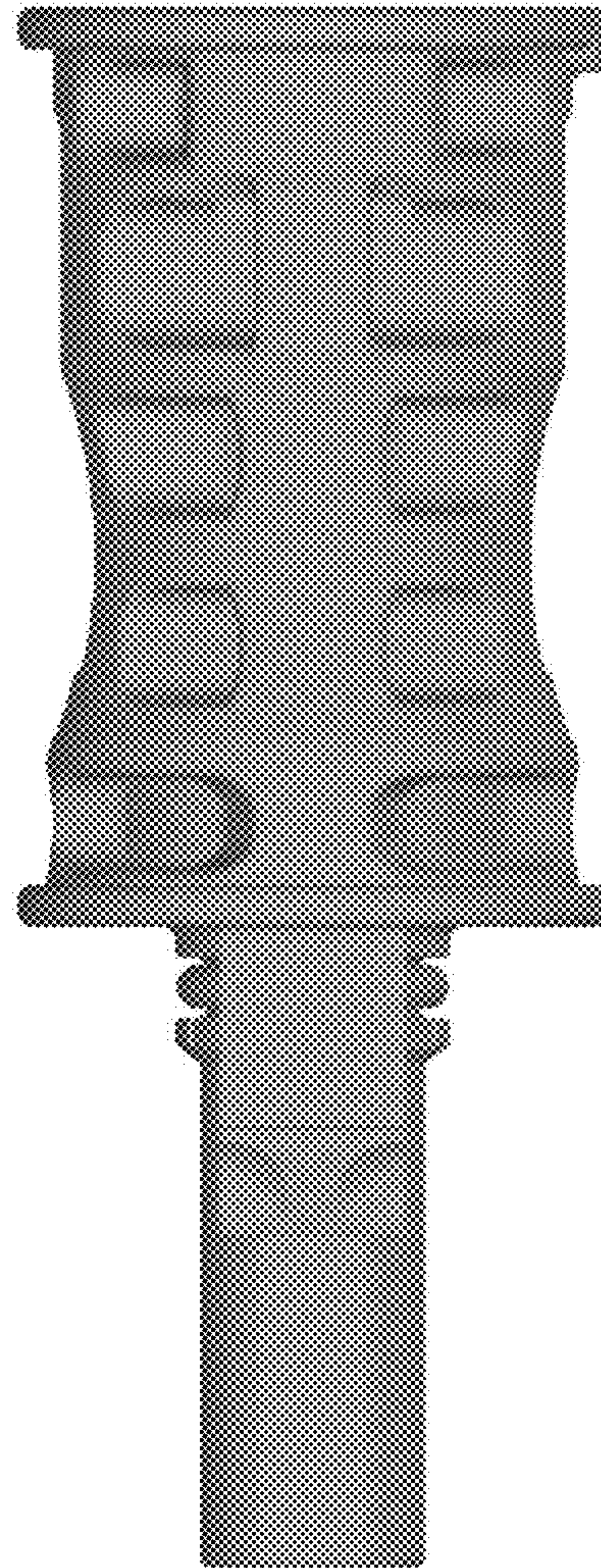


FIG. 8

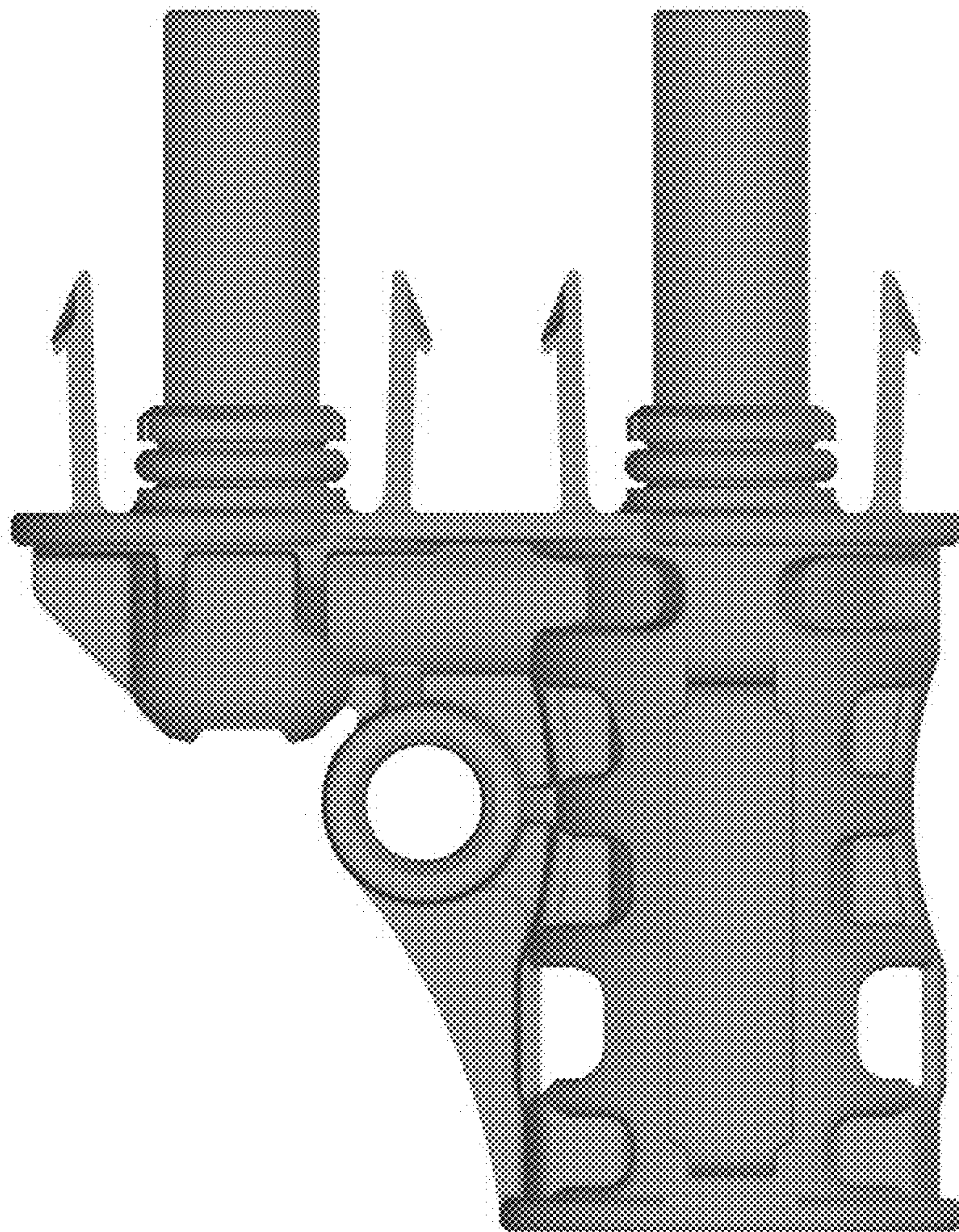


FIG. 9

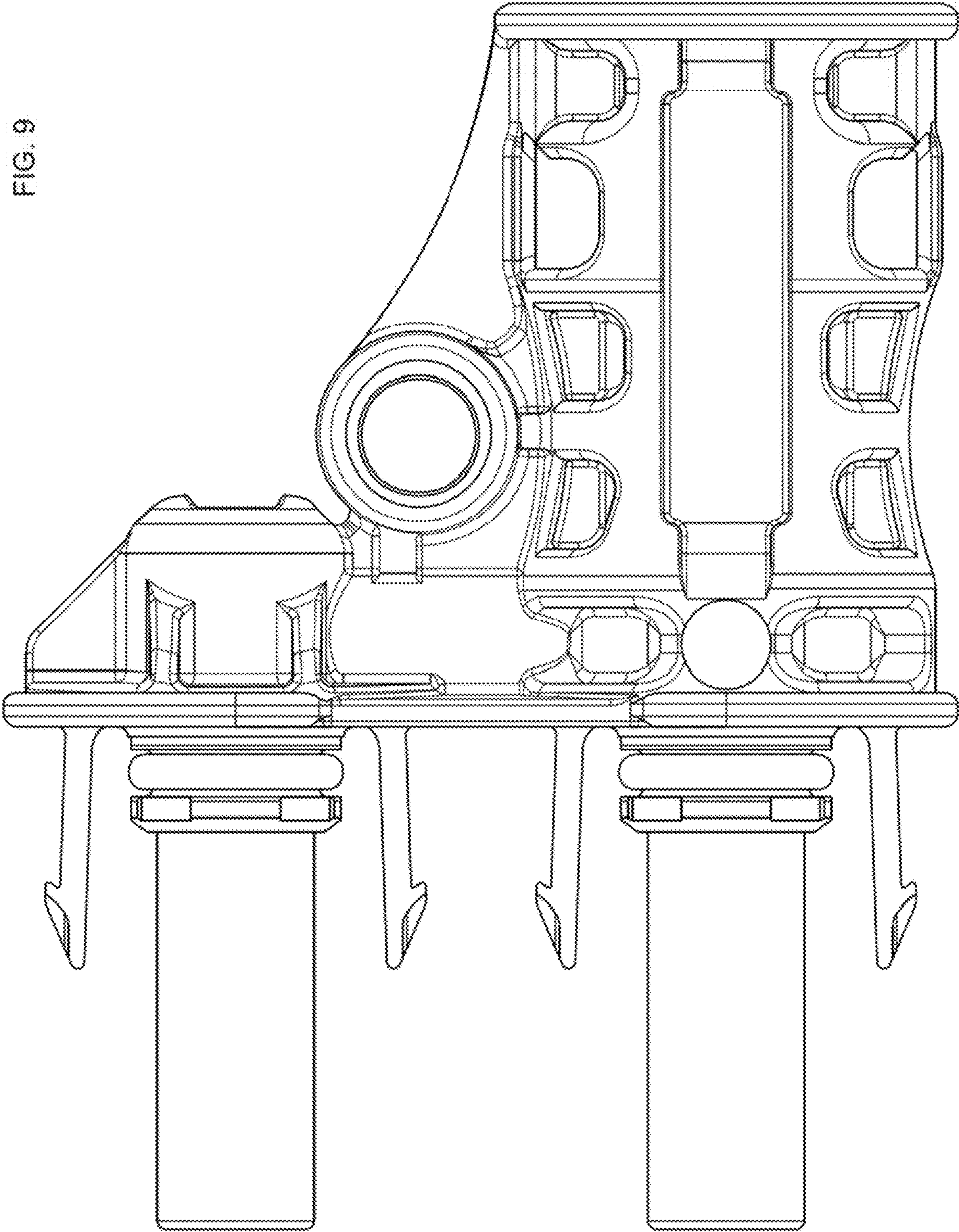


FIG. 10

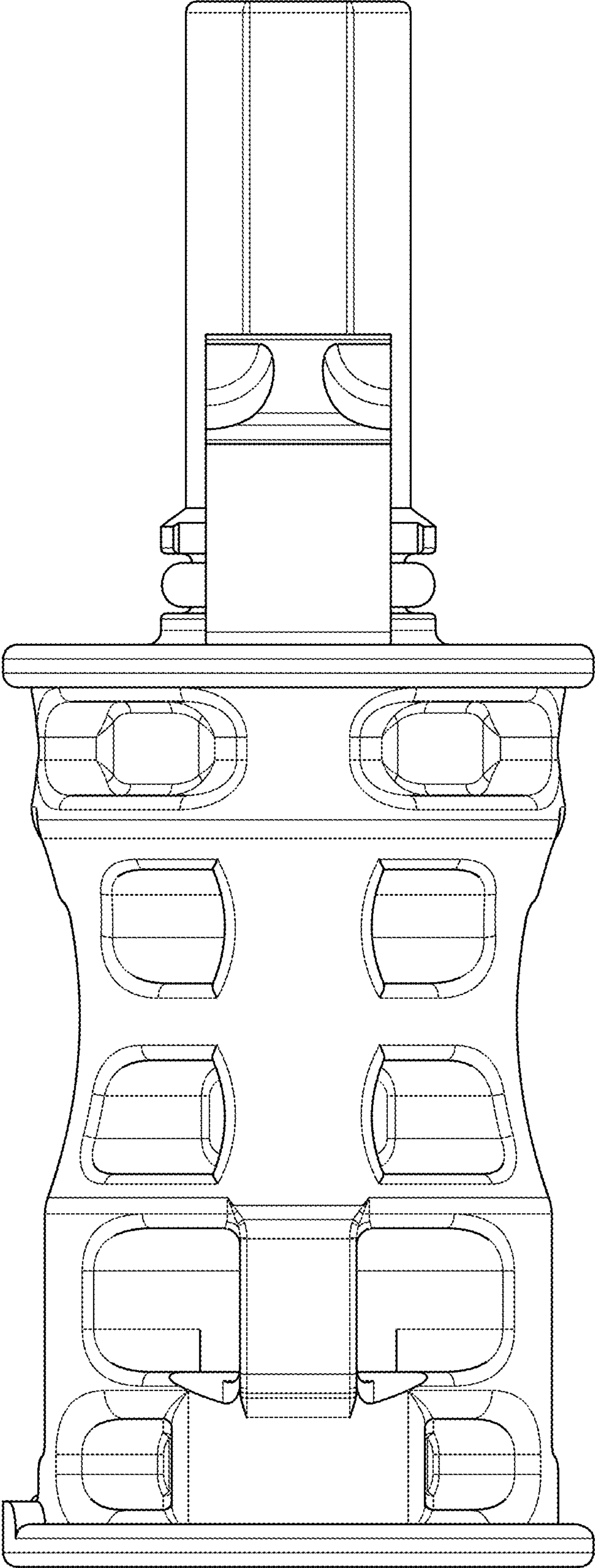
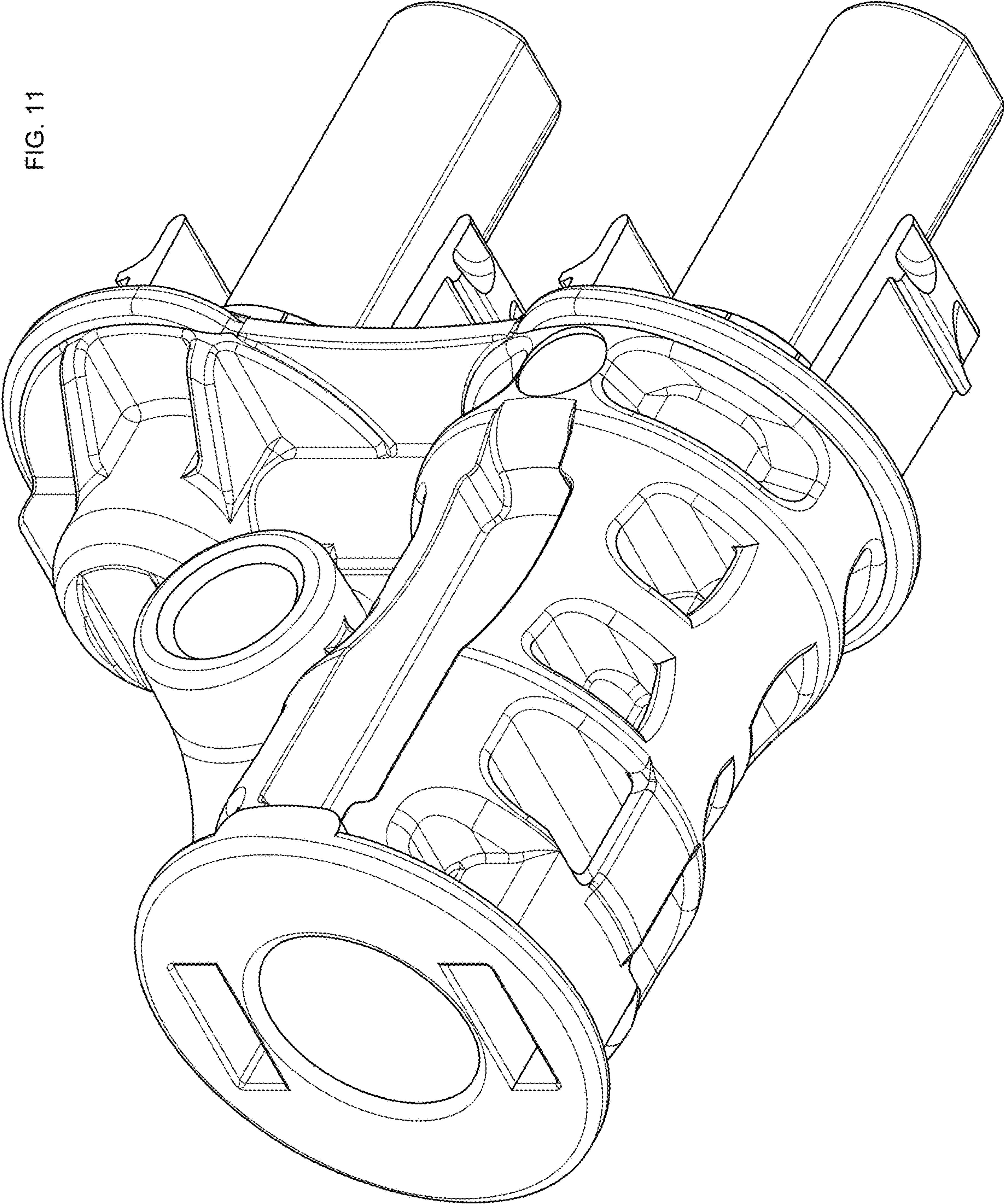


FIG. 11



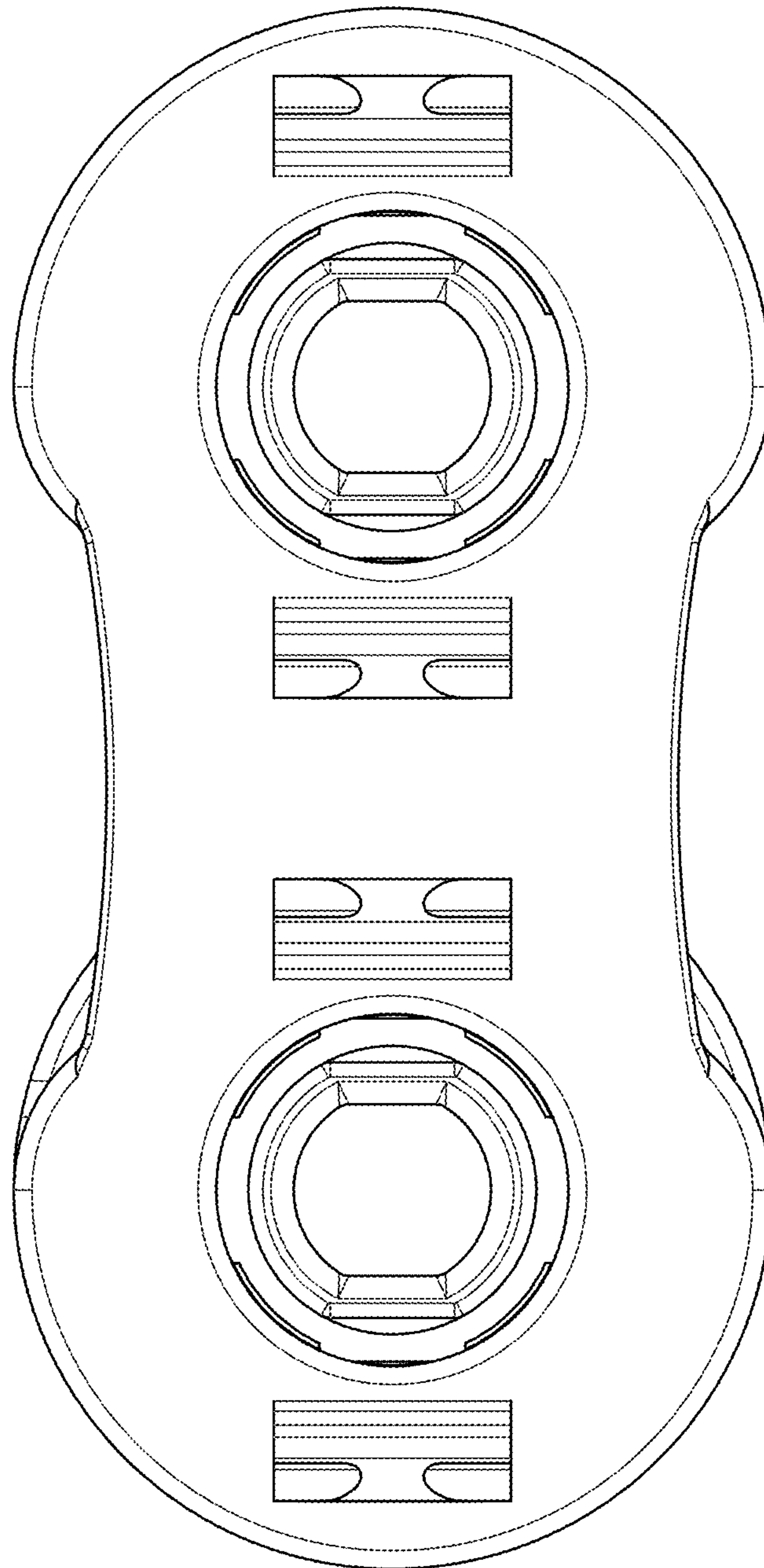


FIG. 12

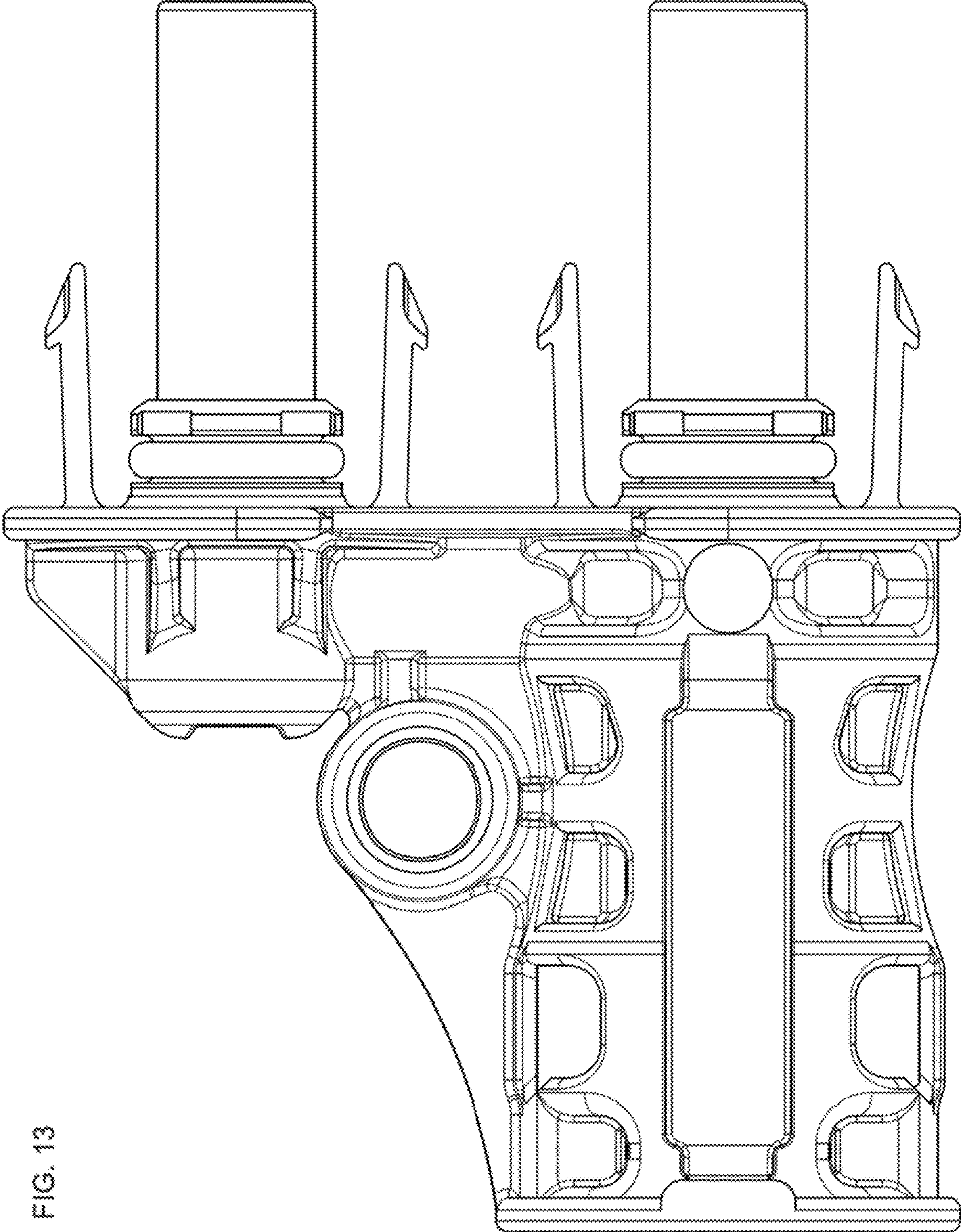
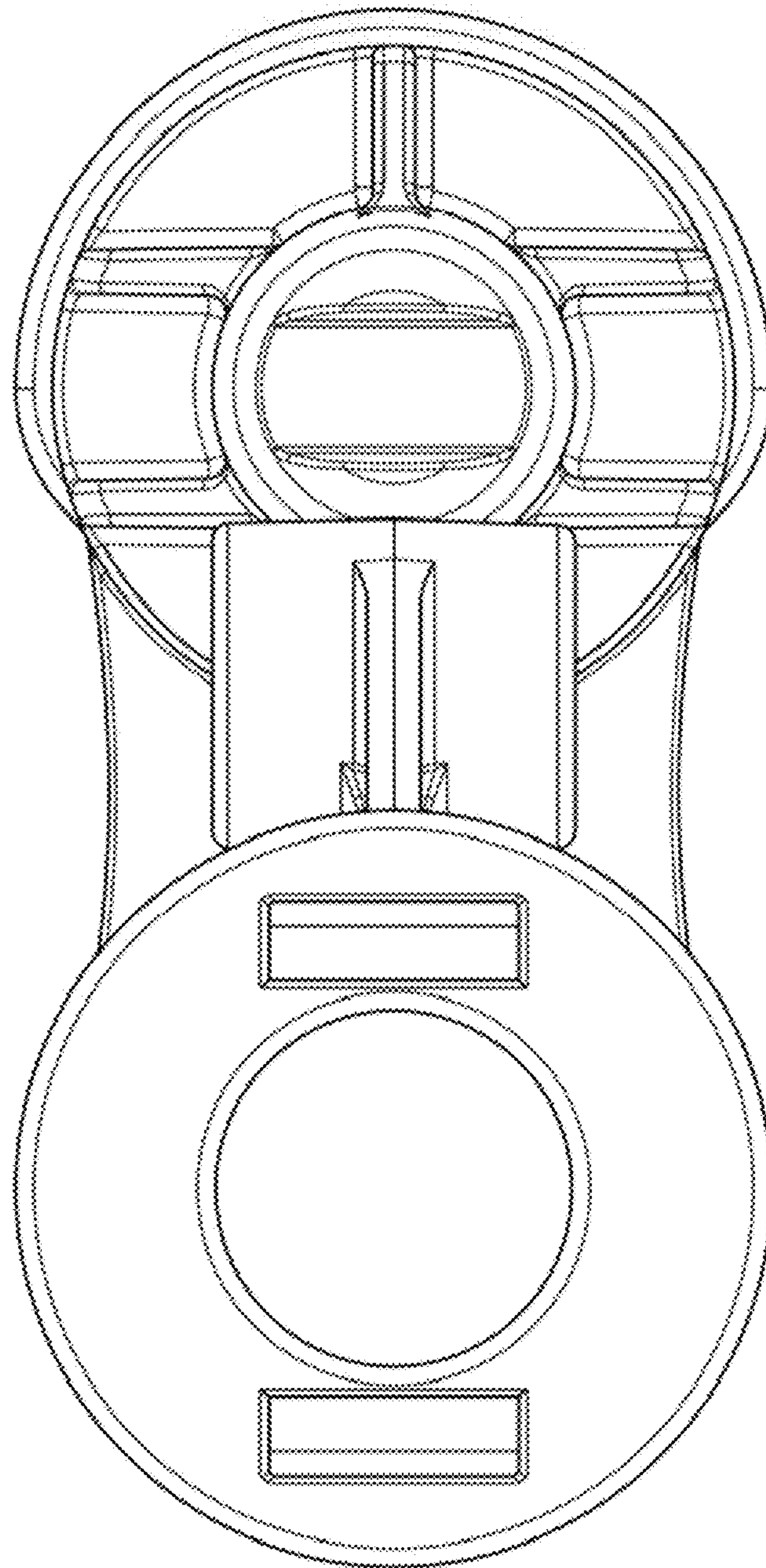


FIG. 13

FIG. 14



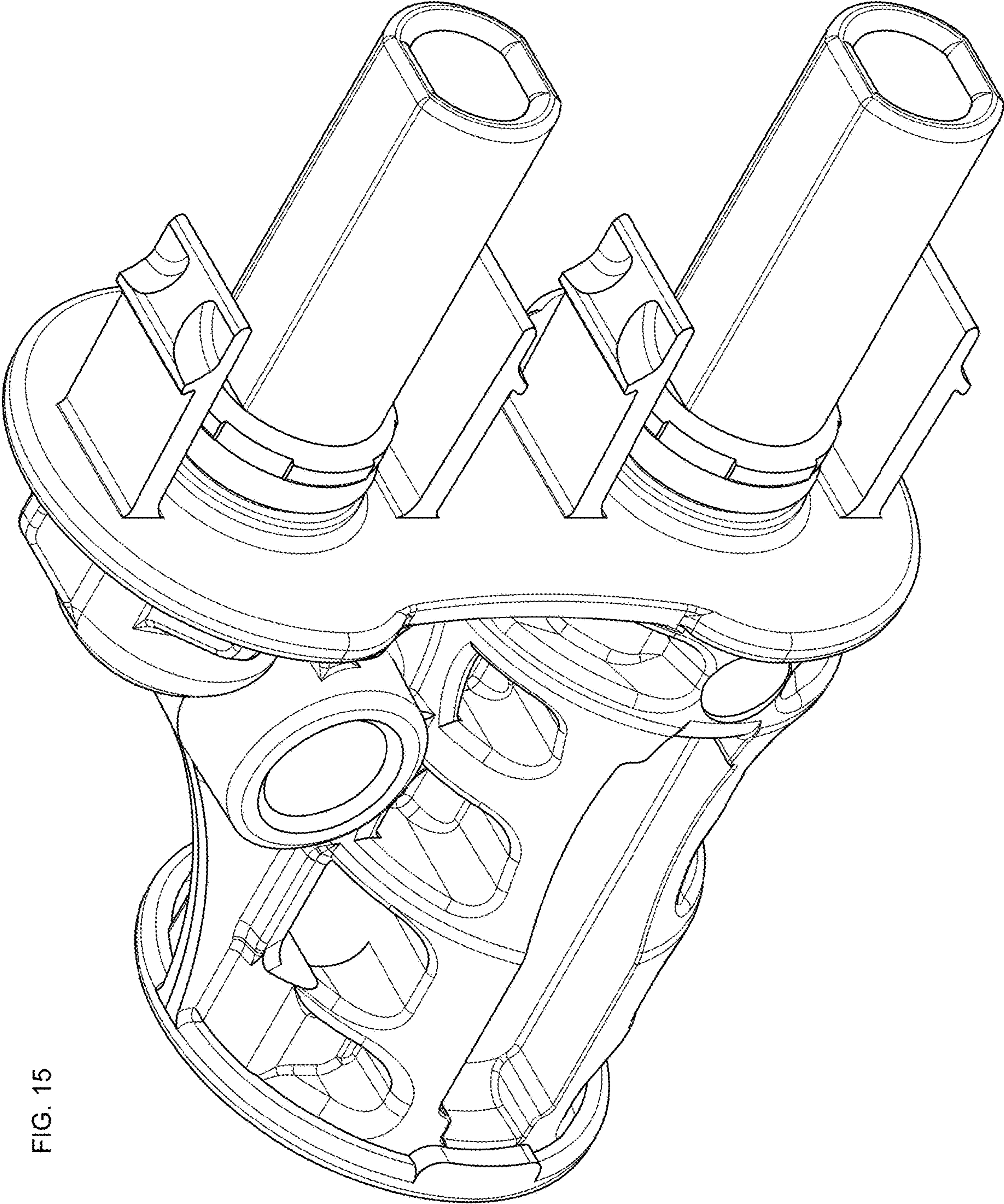


FIG. 15

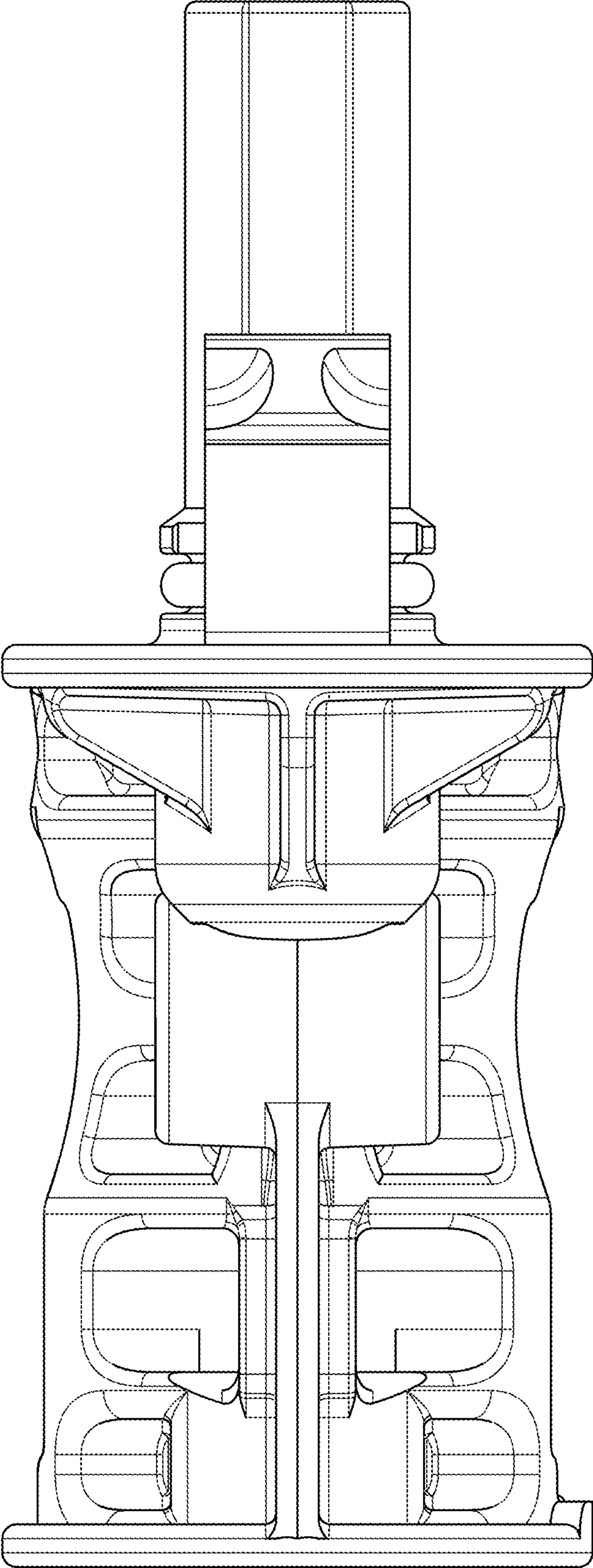


FIG. 16