

D789,820	S	6/2017	Siminoff et al.	
9,736,284	B2	8/2017	Scalisi et al.	
9,743,049	B2	8/2017	Scalisi et al.	
9,769,435	B2	9/2017	Scalisi et al.	
9,786,133	B2	10/2017	Harrison et al.	
9,799,183	B2	10/2017	Harrison et al.	
D812,556	S ‡	3/2018	Xu	D13/103
D816,606	S ‡	5/2018	Georgiades	D13/108
D819,476	S	6/2018	Siminoff et al.	
D820,137	S	6/2018	Siminoff et al.	
D820,706	S	6/2018	Siminoff et al.	
D820,707	S	6/2018	Siminoff et al.	
D820,708	S	6/2018	Siminoff et al.	
D822,518	S	7/2018	Siminoff et al.	
D822,519	S	7/2018	Siminoff et al.	
D822,520	S	7/2018	Siminoff et al.	
D823,239	S ‡	7/2018	Gupta	D13/103
D825,456	S ‡	8/2018	Daravong	D13/103
D829,585	S	10/2018	Siminoff et al.	
D830,871	S	10/2018	Siminoff et al.	
D833,313	S	11/2018	Siminoff et al.	
D837,080	S	1/2019	Siminoff et al.	
D838,669	S ‡	1/2019	Miller	D13/108
D842,244	S ‡	3/2019	Li	D13/108
D844,560	S ‡	4/2019	Miller	D13/108
D853,320	S ‡	7/2019	Guo	D13/10
D853,322	S ‡	7/2019	Xu	D13/108
D858,434	S ‡	9/2019	Park	D13/103
D860,129	S ‡	9/2019	Price	D13/103
D860,936	S ‡	9/2019	Jia	D13/108
D861,592	S ‡	10/2019	Venugopal	D13/103
D861,595	S ‡	10/2019	He	D13/103
D862,384	S ‡	10/2019	Jen	D13/108
D864,861	S ‡	10/2019	Roberts	D13/108
D867,280	S ‡	11/2019	Chen	D13/103
D889,404	S *	7/2020	Levine	D13/110
D911,959	S *	3/2021	Breedlove, Sr.	D13/110
2003/0095185	A1 ‡	5/2003	Naifeh	H04N 7/185 348/15
2006/0213682	A1 ‡	9/2006	Moon	H05K 1/028 174/25
2007/0103548	A1 ‡	5/2007	Carter	H04N 7/148 348/14
2014/0045380	A1 *	2/2014	Chen	H01F 17/062 439/620.15
2016/0380550	A1 *	12/2016	Wang	H01R 31/06 315/276
2018/0172909	A1 *	6/2018	Asghari	G02B 6/1228
2018/0234668	A1 ‡	8/2018	Bauswell	G08B 13/19695
2019/0204289	A1 *	7/2019	Wrobel	G01H 3/04
2019/0364244	A1 ‡	11/2019	Siminoff	G08B 13/19695
2021/0151244	A1 *	5/2021	Brelivet	H01F 27/303

FOREIGN PATENT DOCUMENTS

CN	304279386	S ‡	9/2017
CN	304897992	S ‡	11/2018
CN	304933710	S ‡	12/2018
EM	005795788-0001		1/2019
EM	005795788-0001	L ‡	1/2019
EM	005795788-0001	L	1/2019
EP	2385703	‡	11/2011
JP	1651500		1/2020
JP	1651502	‡	1/2020
TW	26598	A ‡	12/1995
TW	265988		12/1995
TW	265988	A	12/1995
TW	D170846		10/2015
TW	D170846	A ‡	10/2015
TW	D175778	‡	5/2016
WO	WO2007081894	‡	7/2007

OTHER PUBLICATIONS

Light Transformer. (Design—© Questel) orbit.com. [Online PDF compilation of references] 42pgs. Print Dates Range May 14, 2019-Jan. 21, 2000 [Retrieved Feb. 3, 2022].*

Landscape Lighting Transformer with Photocell and Timer. Before Nov. 30, 2018. Home Depot. https://www.homedepot.com/p/Best-Pro-Lighting-Low-Voltage-150-Watt-12-Volt-Black-Plastic-Landscape-Lighting-Transformer-with-Photocell-and-Timer-BPL150W-12VBK/307834209?g_store=&source=shoppingads&locale=en-US&&gclid=EAlalQo.*

Quick-Connect Transformer. Before Jul. 23, 2017. Amazon. https://www.amazon.com/Aquascape-98486-AQSC-Transformer-60-watt/dp/B0039G7EZQ?th=1.*

Tento Outdoor Lighting Transformer Low Voltage Landscape Power Supply. Sep. 19, 2018. Amazon, https://www.amazon.ca/tento-Landscape-Transformer-Accessories-Waterproof/dp/B07HHLVTF3.*

Japanese Office Action dated Sep. 6, 2019, for Japanese Patent Application No. 2019-010347, a counterpart foreign application of the U.S. Appl. No. 29/670,259, 3 pages.‡

Japanese Office Action dated Aug. 30, 2019, for Japanese Patent Application No. 2019-012142, a counterpart foreign application of the U.S. Appl. No. 29/673,311, 3 pages.‡

Japanese Office Action dated Aug. 30, 2019, for Japanese Patent Application No. 2019-012140, a counterpart foreign application of the U.S. Appl. No. 29/673,311, 3 pages.‡

PCT Search Report and Written Opinion dated Aug. 5, 2019, for the PCT Application No. PCT/US2019/027674, 12 pages.‡

Japanese Office Action dated Aug. 30, 2019, for Japanese Patent Application No. 2019-012138, a counterpart foreign application of the U.S. Appl. No. 29/673,311, 3 pages.‡

Chinese Office Action dated Sep. 30, 2019 for Chinese Design Application No. 201930233393.4, a counterpart foreign application of the U.S. Appl. No. 29/670,249.‡

Japanese Office Action dated Aug. 30, 2019, for Japanese Patent Application No. 2019-012141, a counterpart foreign application of the U.S. Appl. No. 29/673,311, 3 pages.‡

Japanese Office Action dated Aug. 30, 2019, for Japanese Patent Application No. 2019-012139, a counterpart foreign application of the U.S. Appl. No. 29/673,311, 3 pages.‡

Non Final Office Action dated Nov. 4, 2019 for U.S. Appl. No. 16/218,920 “Audio/Video Device With Viewer” Siminoff, 8 pages.‡

Chinese Office Action dated Oct. 11, 2019, for Chinese Patent Application No. 201930332256.6, a counterpart foreign application of the U.S. Appl. No. 29/675,488, 1 page.‡

Japanese Office Action dated Sep. 6, 2019, for Japanese Patent Application No. 2019-010348, a counterpart foreign application of the U.S. Appl. No. 29/670,259, 3 pages.‡

Chinese Office Action dated Sep. 29, 2019, for Chinese Patent Application No. 201930259756.1, a counterpart foreign application of the U.S. Appl. No. 29/673,311, 1 page.‡

Australian Office Action dated Aug. 5, 2019 for Australian Patent Application No. 201913629, a counterpart of U.S. Appl. No. 29/675,488, 2 pages.‡

Japanese Office Action dated Mar. 13, 2020 for Japanese Patent Application No. 2019-018655, a counterpart of U.S. Appl. No. 29/681,330, 3 pages.‡

Taiwanese Office Action dated Dec. 13, 2019 for Taiwanese Patent Application No. 10821187230, a counterpart of U.S. Appl. No. 29/673,311, 6 pages.‡

Japanese Office Action dated Mar. 13, 2020 for Japanese Patent Application No. 2019-018654, a counterpart of U.S. Appl. No. 29/681,330, 3 pages.‡

Japanese Office Action dated Mar. 13, 2020 for Japanese Patent Application No. 2019-018653, a counterpart of U.S. Appl. No. 29/681,330, 3 pages.‡

Taiwanese Office Action dated Nov. 15, 2019 for Taiwanese Patent Application No. 108302720, a counterpart of U.S. Appl. No. 29/670,249, 4 pages.‡

Taiwanese Office Action dated Nov. 15, 2019 for Taiwanese Patent Application No. 108302721, a counterpart of U.S. Appl. No. 29/670,249, 4 pages.‡

Taiwanese Office Action dated Nov. 15, 2019 for Taiwanese Patent Application No. 108302722, a counterpart of U.S. Appl. No. 29/670,249, 4 pages.‡

Translated Taiwanese Office Action dated Dec. 13, 2019 for Taiwanese Patent Application No. 10821187230, a counterpart of U.S. Appl. No. 29/673,311, 2 pages.‡

Taiwanese Office Action dated Dec. 12, 2019 for Taiwanese Patent Application No. 108302982, a counterpart of U.S. Appl. No. 29/673,311, 6 pages.‡

Taiwanese Office Action dated Dec. 13, 2019 for Taiwanese Patent Application No. 108302983, a counterpart of U.S. Appl. No. 29/673,311, 3 pages.‡

Taiwanese Office Action dated Nov. 15, 2019 for Taiwanese Patent Application No. 108302726, a counterpart of U.S. Appl. No. 29/670,259, 4 pages.‡

Taiwanese Office Action dated Nov. 15, 2019 for Taiwanese Patent Application No. 108302724, a counterpart of U.S. Appl. No. 29/670,259, 4 pages.‡

Taiwanese Office Action dated Nov. 15, 2019 for Taiwanese Patent Application No. 108302725, a counterpart of U.S. Appl. No. 29/670,259, 4 pages.‡

Office Action for U.S. Appl. No. 16/218,920, dated Feb. 5, 2020, Siminoff, “Audio/Video Device With Viewer”, 10 Pages.‡

Japanese Office Action dated Jan. 31, 2020 for Japanese Patent Application No. 2019-014706, a counterpart of U.S. Appl. No. 29/675,488, 3 pages.‡

Translated Taiwanese Office Action dated Dec. 13, 2019 for Taiwanese Patent Application No. 108302983, a counterpart of U.S. Appl. No. 29/673,311, 2 pages.‡

Translated Taiwanese Office Action dated Dec. 12, 2019 for Taiwanese Patent Application No. 108302982, a counterpart of U.S. Appl. No. 29/673,311, 2 pages.‡

Japanese Office Action dated Jan. 31, 2020 for Japanese Patent Application No. 2019-014704, a counterpart of U.S. Appl. No. 29/675,488, 3 pages.‡

Japanese Office Action dated Jan. 31, 2020 for Japanese Patent Application No. 2019-014705, a counterpart of U.S. Appl. No. 29/675,488, 3 pages.‡

Japanese Office Action dated Jan. 31, 2020 for Japanese Patent Application No. 2019-014703, a counterpart of U.S. Appl. No. 29/675,488, 3 pages.‡

Chinese Office Action dated Jan. 14, 2020, for Chinese Design Application No. 201930465085.4, a counterpart foreign application of the U.S. Appl. No. 29/681,330, 1 pages.‡

EdimaxTV; “Installation of Edimax IC-6220DC Wireless Peephole Camera”, retrieved on Jun. 22, 2018 at <https://www.youtube.com/watch?reload=9&v=6qGH1XzA_7o>, YouTube, Video, 3 minutes, 2 pages.

PCT Search Report and Written Opinion dated Aug. 8, 2019, for the PCT Application No. PCT/US2019/027674, 12 pages.

Translated Taiwanese Office Action dated on Dec. 12, 2019 for Taiwanese Patent Application No. 108302982, a counterpart of U.S. Appl. No. 29/673,311, 2 pages.

Taiwanese Office Action dated Dec. 13, 2019 for Taiwanese Patent Application No. 10821187230, a counterpart of U.S. Appl. No. 29/673,311, 3 pages.

* cited by examiner

‡ imported from a related application

Primary Examiner — Manpreet S Matharu

Assistant Examiner — Suzanne E Tisdell

(74) *Attorney, Agent, or Firm* — Lee & Hayes, P.C.

(57)

CLAIM

The ornamental design for a light transformer, as shown and described.

DESCRIPTION

FIG. 1 is a front, right-side perspective view of a light transformer;

FIG. 2 is a back, right-side perspective view thereof;

FIG. 3 is a bottom plan view thereof;

FIG. 4 is a top plan view thereof;

FIG. 5 is a left-side elevation view thereof;

FIG. 6 is a right-side elevation view thereof;

FIG. 7 is a front elevation view thereof; and,

FIG. 8 is a back elevation view thereof.

The dashed broken lines depict portions of the light transformer that form no part of the claimed design.

1 Claim, 8 Drawing Sheets

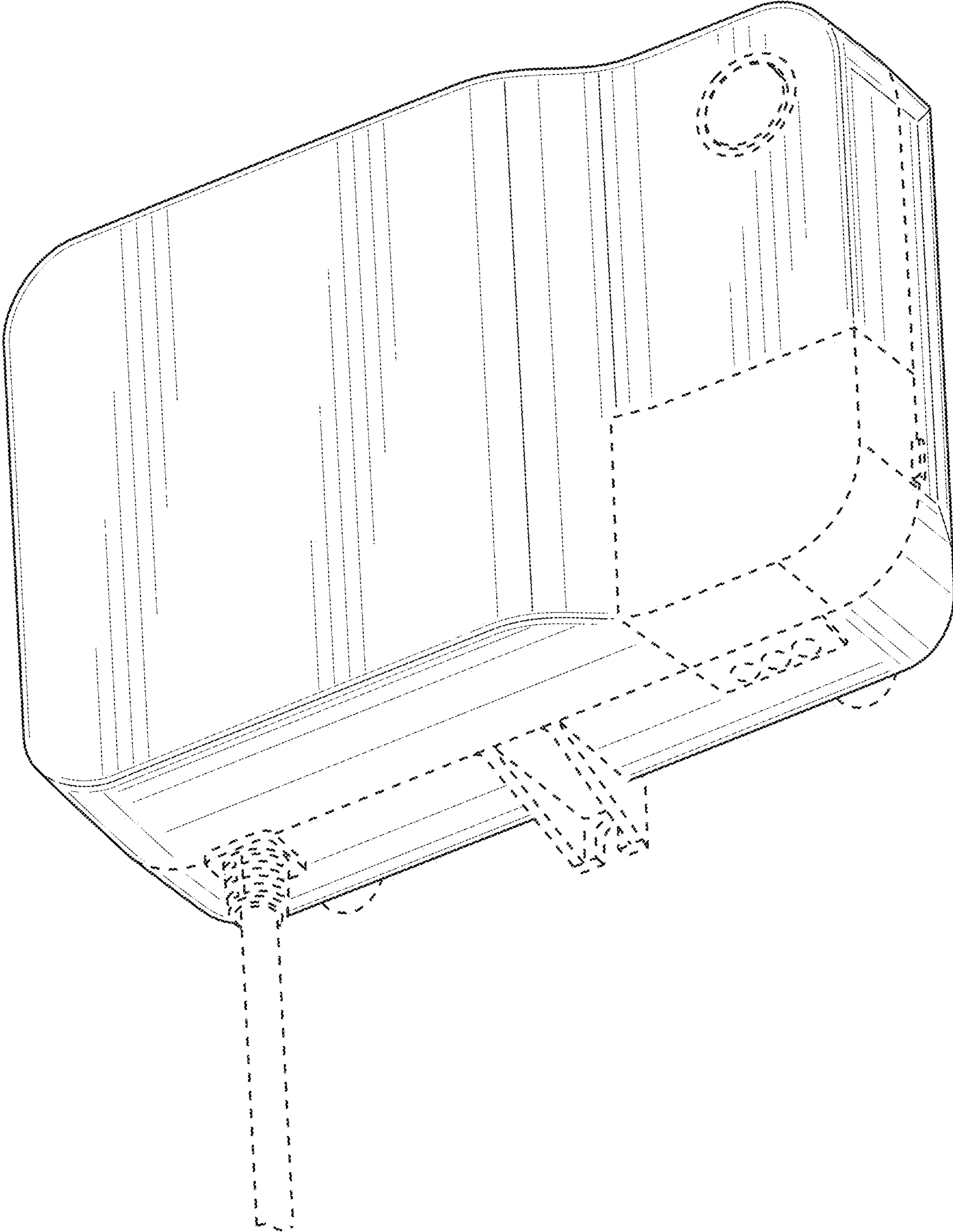


FIG. 1

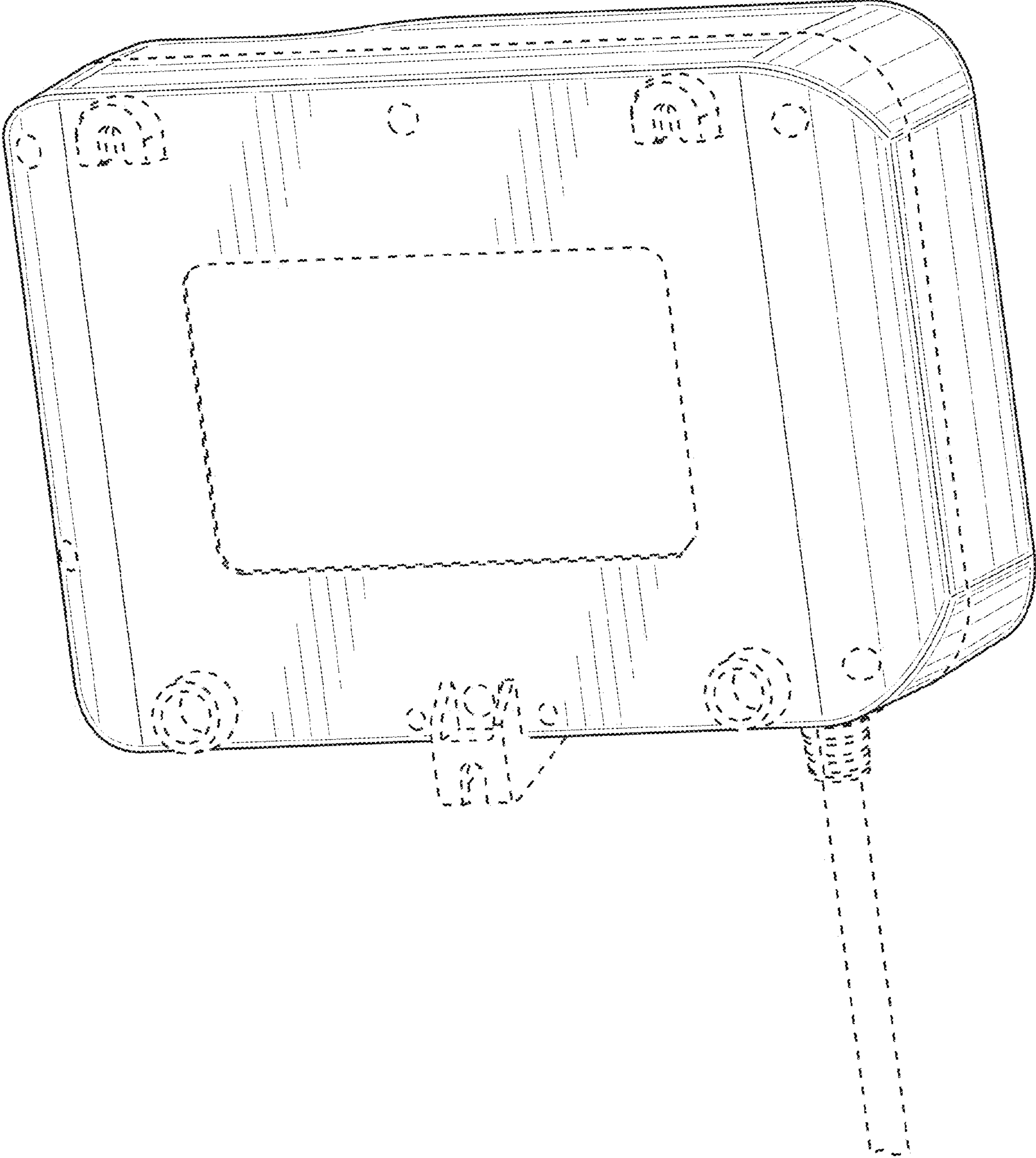
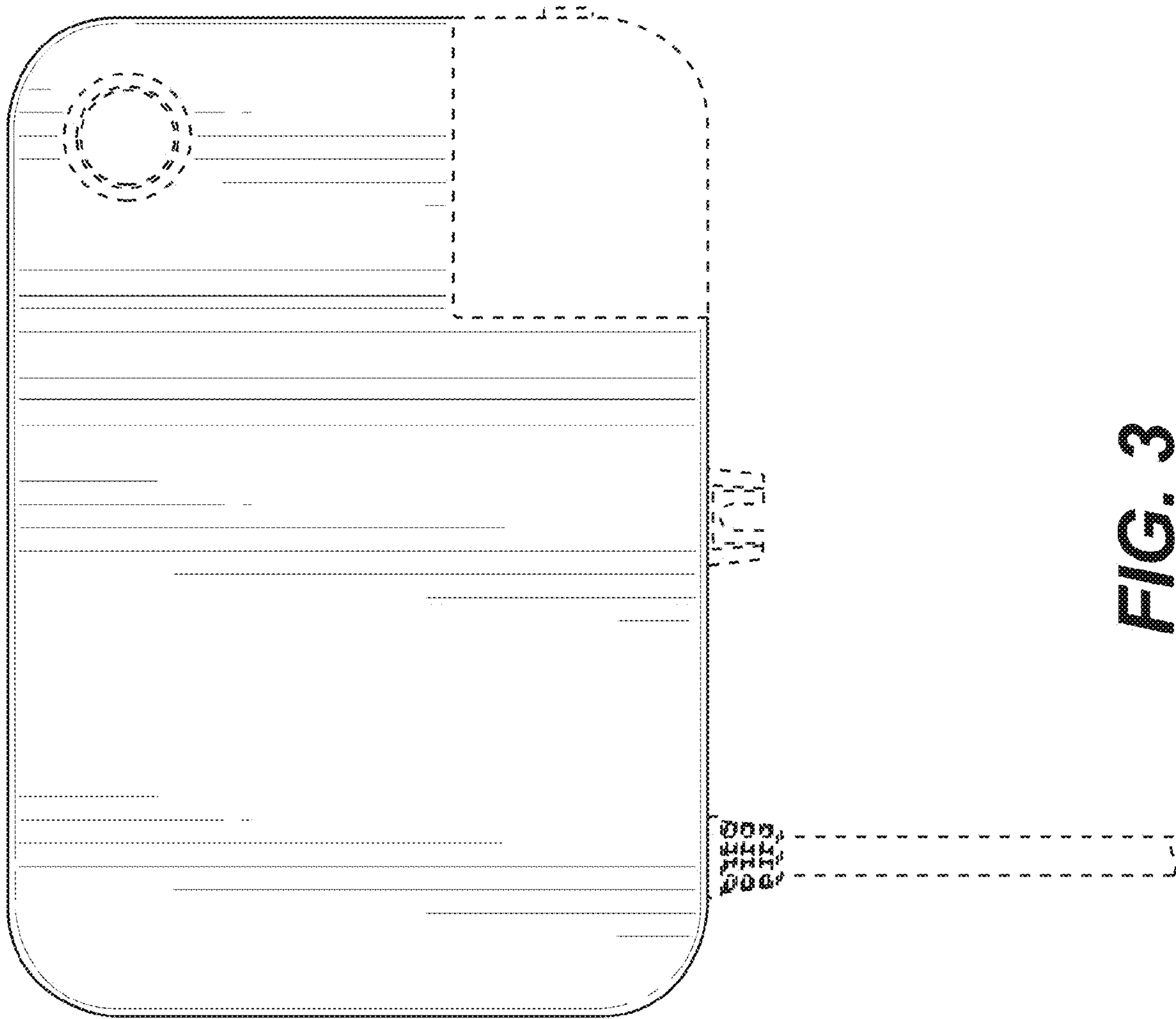


FIG. 2



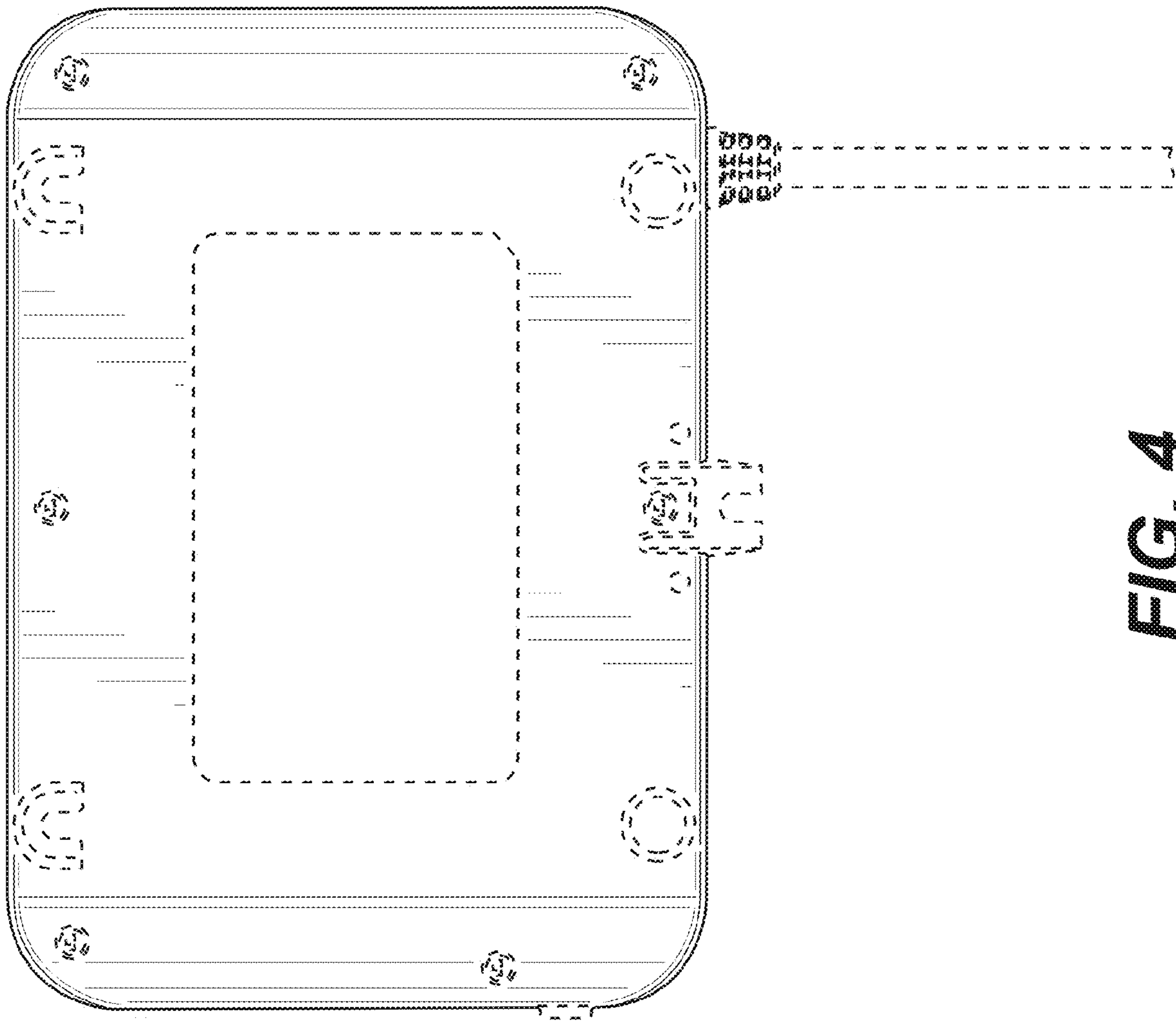


FIG. 4

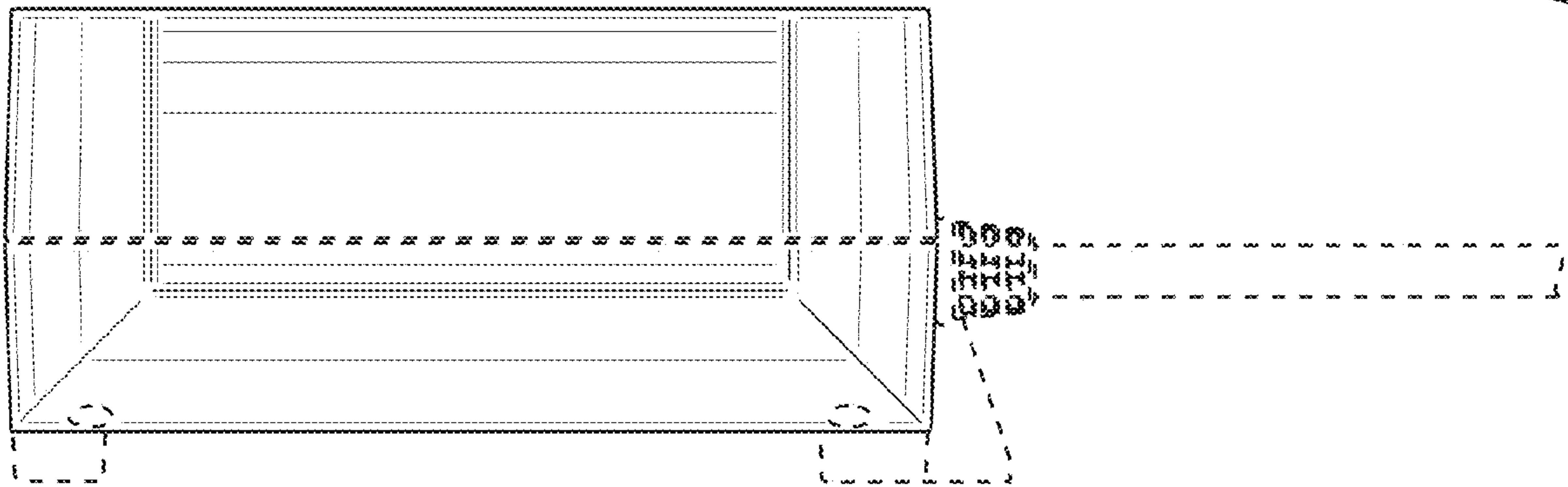


FIG. 5

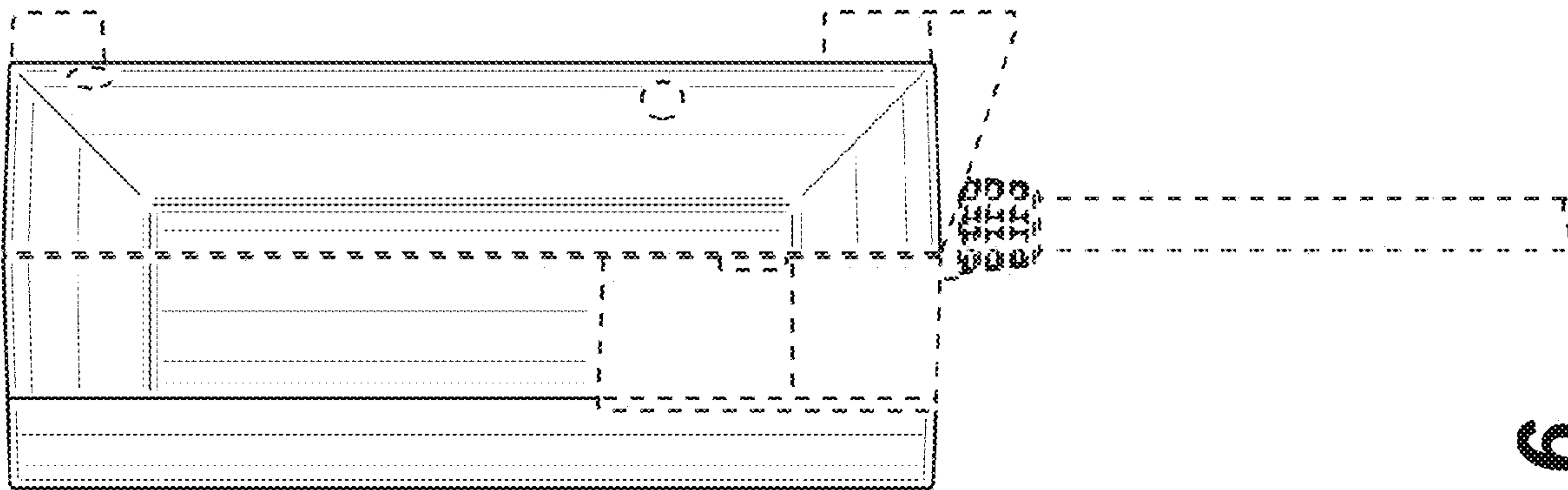


FIG. 6

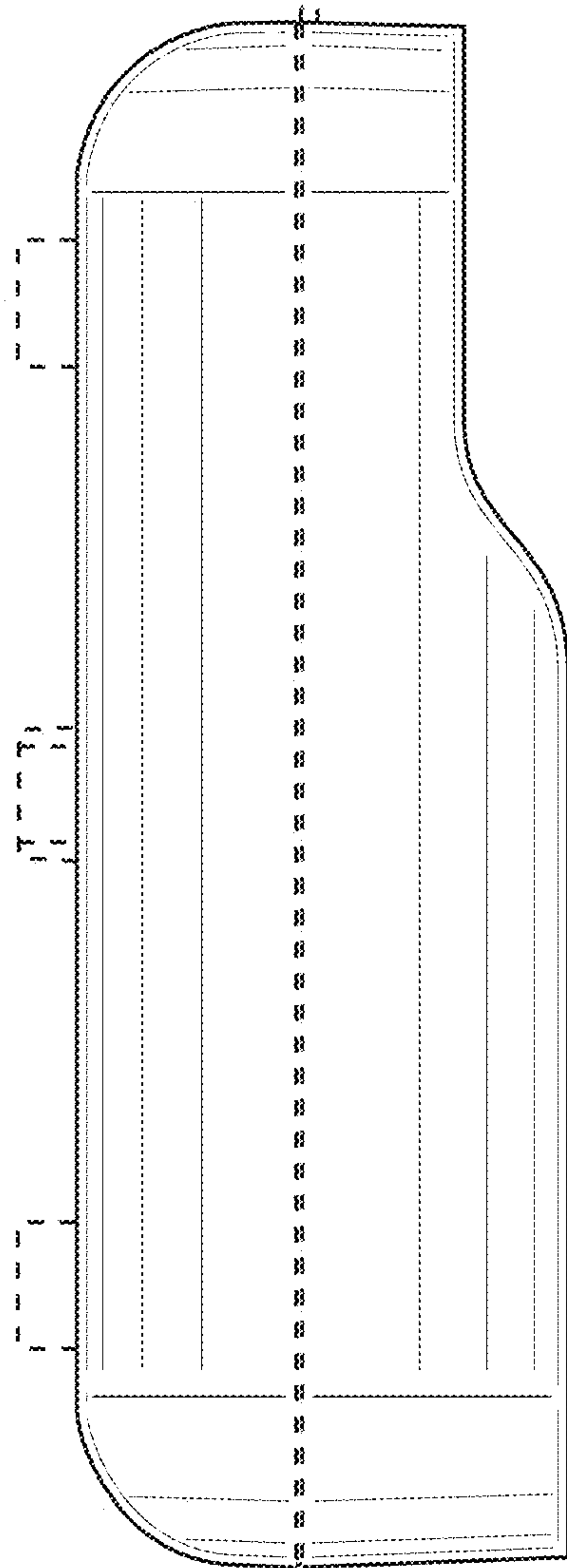


FIG. 7

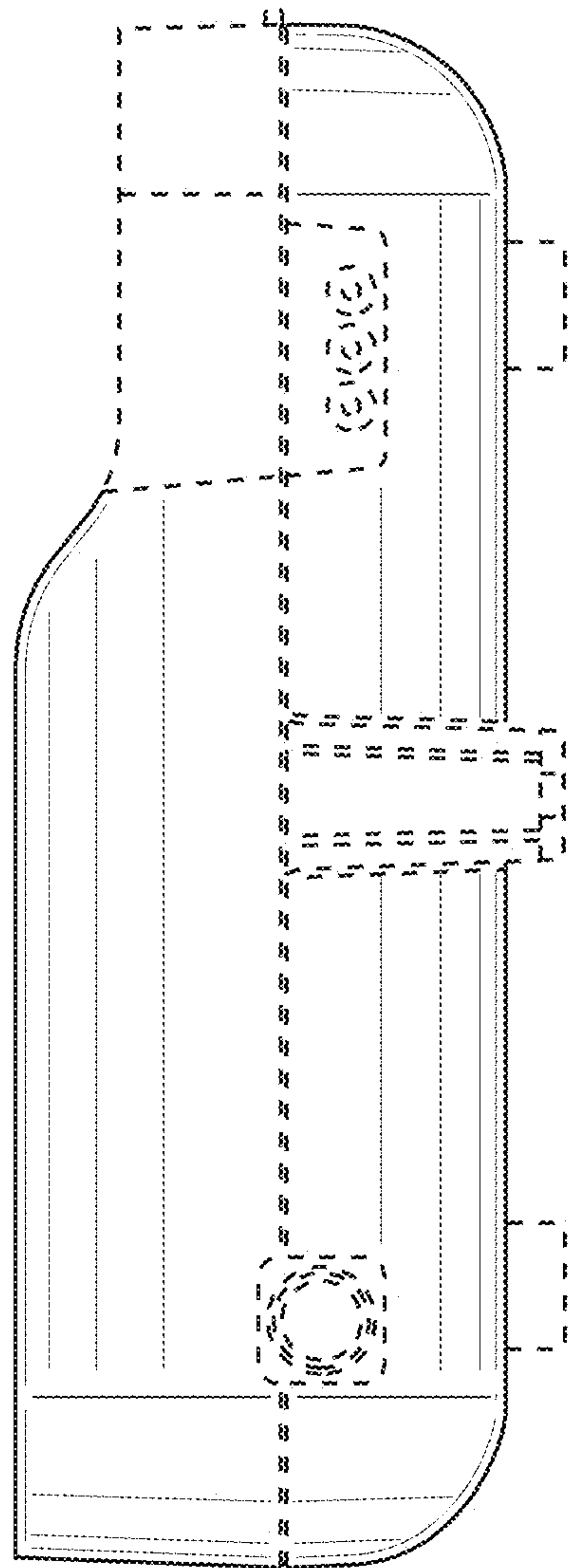


FIG. 8