



US00D956693S

(12) **United States Design Patent**
Wang et al.

(10) **Patent No.:** **US D956,693 S**
(45) **Date of Patent:** **** Jul. 5, 2022**

(54) **EARPHONE WITH CHARGING BOX**

DESCRIPTION

(71) Applicant: **BEIJING XIAOMI MOBILE SOFTWARE CO., LTD.**, Beijing (CN)

(72) Inventors: **Tao Wang**, Beijing (CN); **Ningning Li**, Beijing (CN)

(**) Term: **15 Years**

(21) Appl. No.: **35/511,084**

(22) Filed: **Jul. 1, 2020**

(80) **Hague Agreement Data**

Int. Filing Date: **Jul. 1, 2020**

Int. Reg. No.: **DM/211342**

Int. Reg. Date: **Jul. 1, 2020**

Int. Reg. Pub. Date: **Jan. 1, 2021**

(30) **Foreign Application Priority Data**

Jan. 16, 2020 (CN) 202030031824.1

(51) **LOC (13) Cl.** **13-02**

(52) **U.S. Cl.**
USPC **D13/108; D14/223**

(58) **Field of Classification Search**
USPC D14/205, 206, 223, 224, 250, 251, 253;
D3/201, 208, 212, 218, 273, 274, 294,
(Continued)

(56) **References Cited**

U.S. PATENT DOCUMENTS

D469,081 S * 1/2003 Perszyk D14/223
D490,398 S * 5/2004 Gwee D14/205

(Continued)

Primary Examiner — Keli L Hill

(57) **CLAIM**

The ornamental design for for an earphone with charging box, as shown and described.

1. Earphone with charging box

1.1 : Front

1.2 : Back

1.3 : Left

1.4 : Right

1.5 : Top

1.6 : Bottom

1.7 : Perspective

1.8 : Front

1.9 : Back

1.10 : Left

1.11 : Right

1.12 : Top

1.13 : Bottom

1.14 : Perspective

1.15 : Front

1.16 : Back

1.17 : Left

1.18 : Right

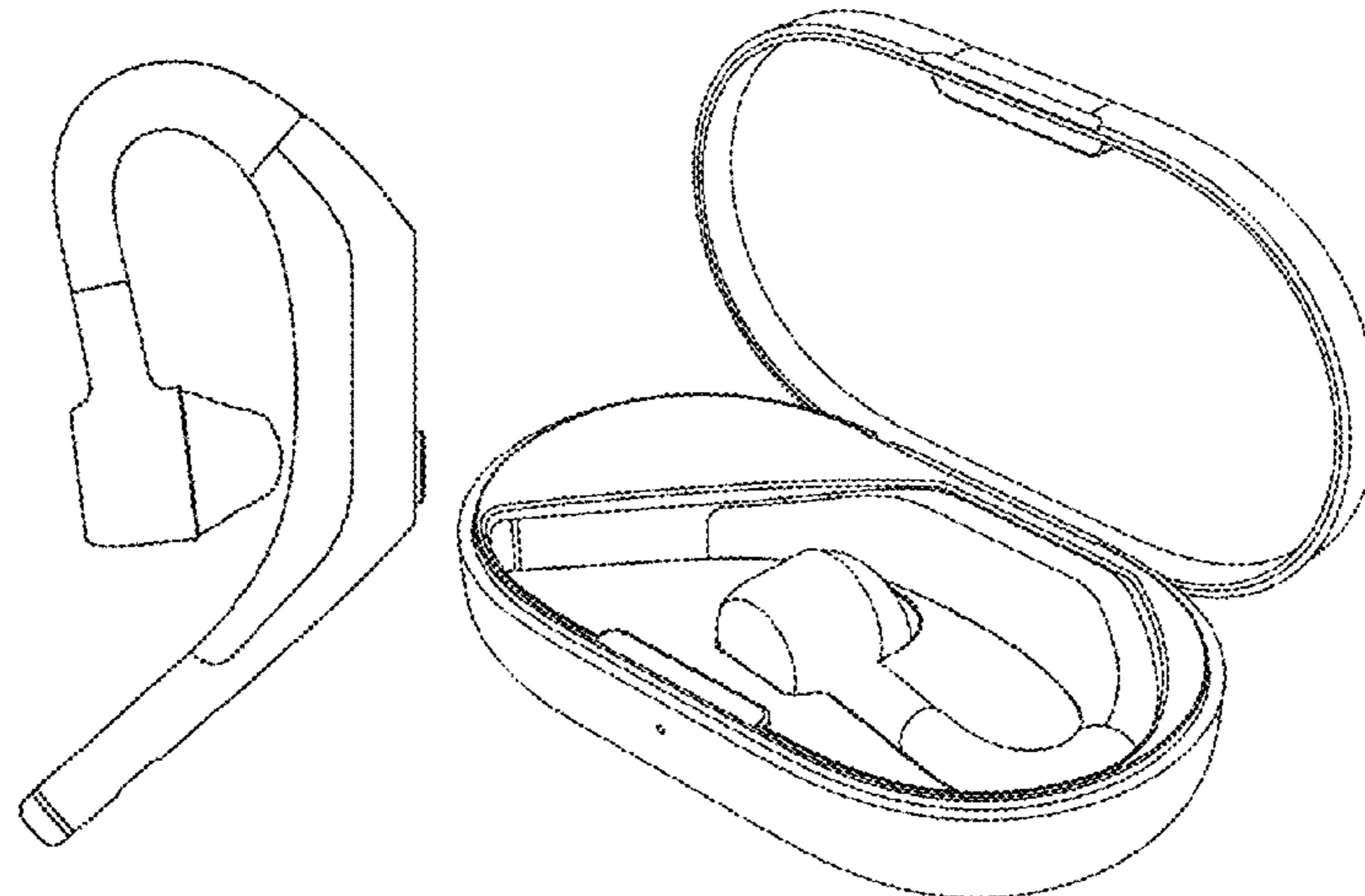
1.19 : Top

1.20 : Bottom

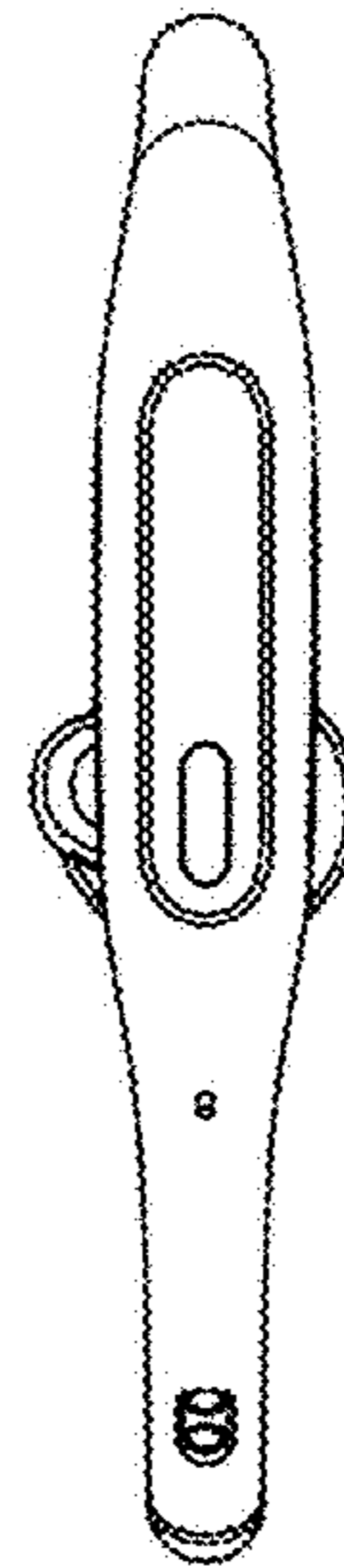
1.21 : Perspective

FIG. 1.1 is a front view of the earphone; FIG. 1.2 is a rear view thereof; FIG. 1.3 is a left view thereof; FIG. 1.4 is a right view thereof; FIG. 1.5 is a top view thereof; FIG. 1.6 is a bottom view thereof; FIG. 1.7 is a perspective view thereof; FIG. 1.8 is a front view of the charging box in a closed state; FIG. 1.9 is a rear view thereof; FIG. 1.10 is a left view thereof; FIG. 1.11 is a right view thereof; FIG. 1.12 is a top view thereof; FIG. 1.13 is a bottom view thereof; FIG. 1.14 is a perspective view thereof; FIG. 1.15 is a front view of the earphone inside the charging box in an open state; FIG. 1.16 is a rear view thereof; FIG. 1.17 is a left view thereof; FIG. 1.18 is a right view thereof; FIG. 1.19 is a top view thereof; FIG. 1.20 is a bottom view thereof; FIG. 1.21 is a perspective view thereof; the product incorporating the design is used for playing audio; the drawing designated to best show the essential features of the design is reproduction 1.21; 1.1-1.7 show the earphone outside of the charging box; 1.8-1.14 show the charging box in a closed state; 1.15-1.21 show the earphone inside the charging box in an open state.

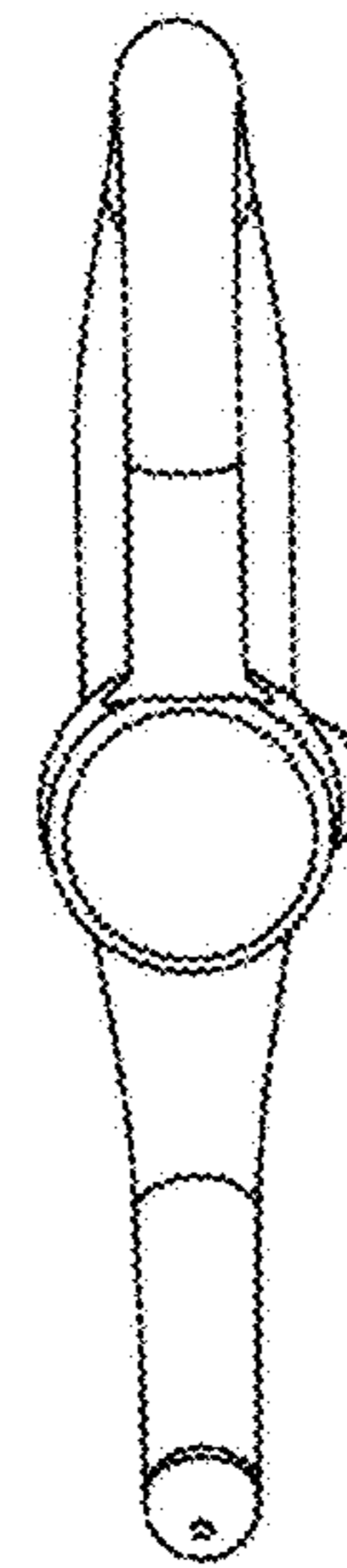
1 Claim, 21 Drawing Sheets



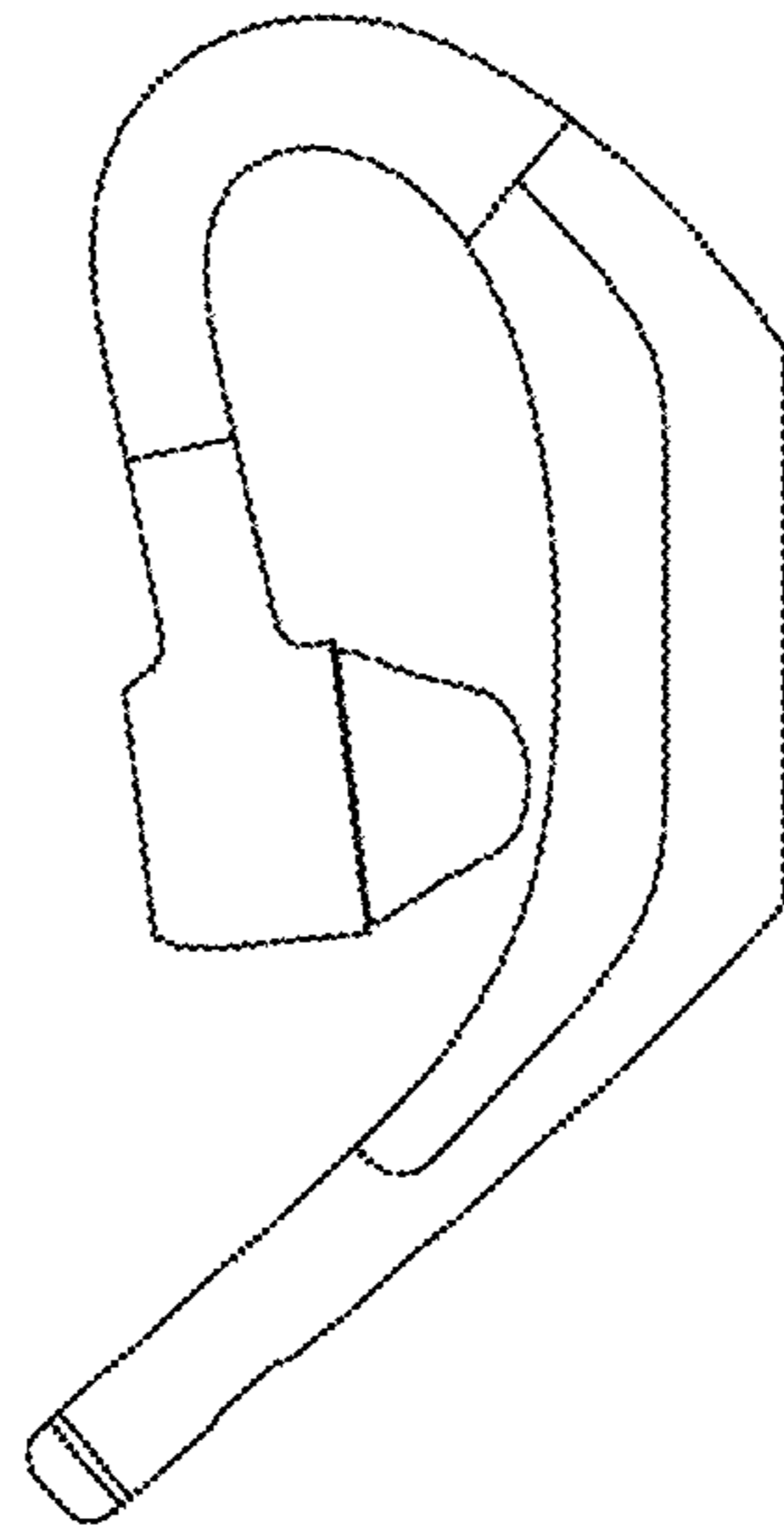
1.1



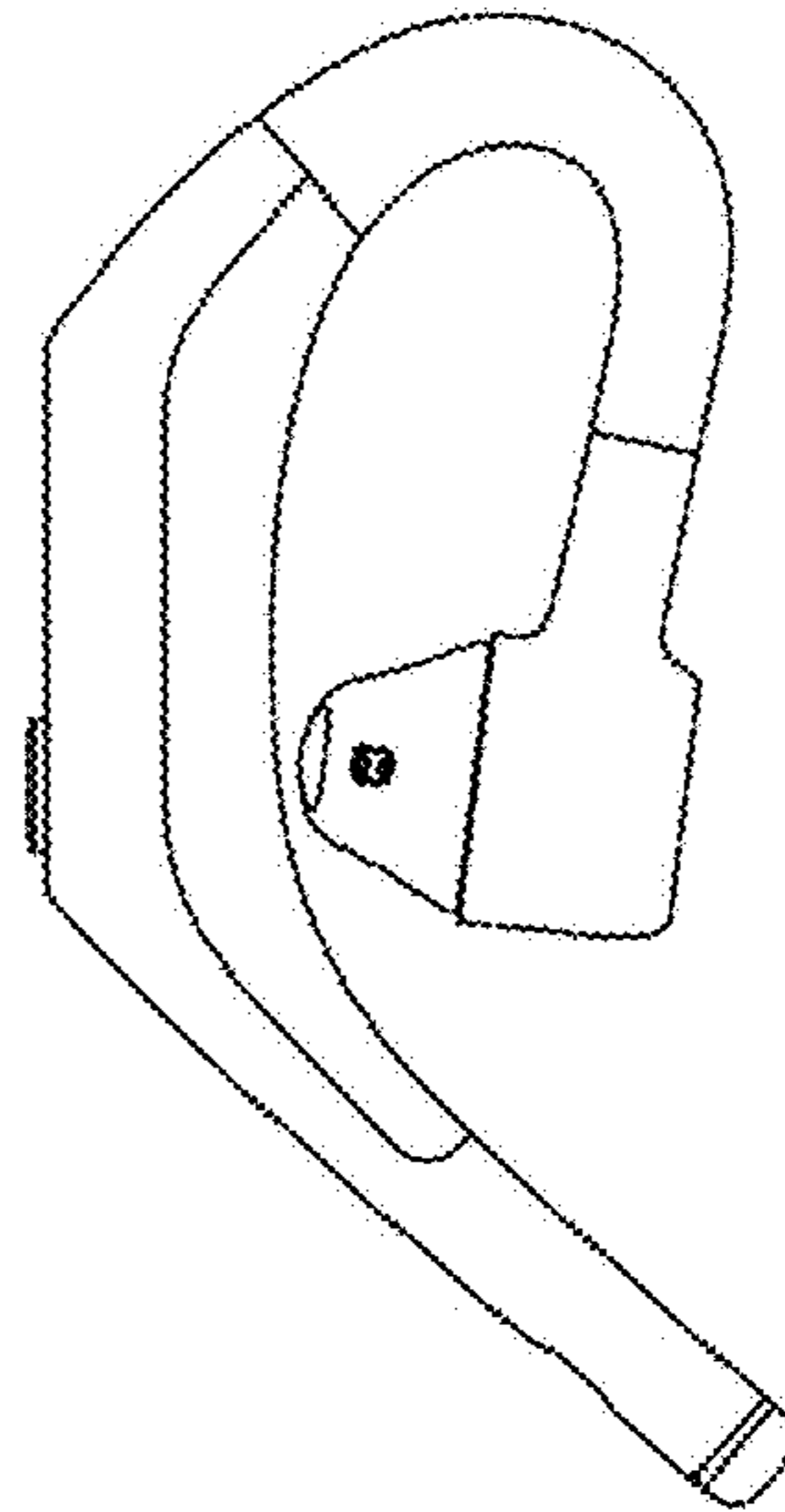
1.2



1.3



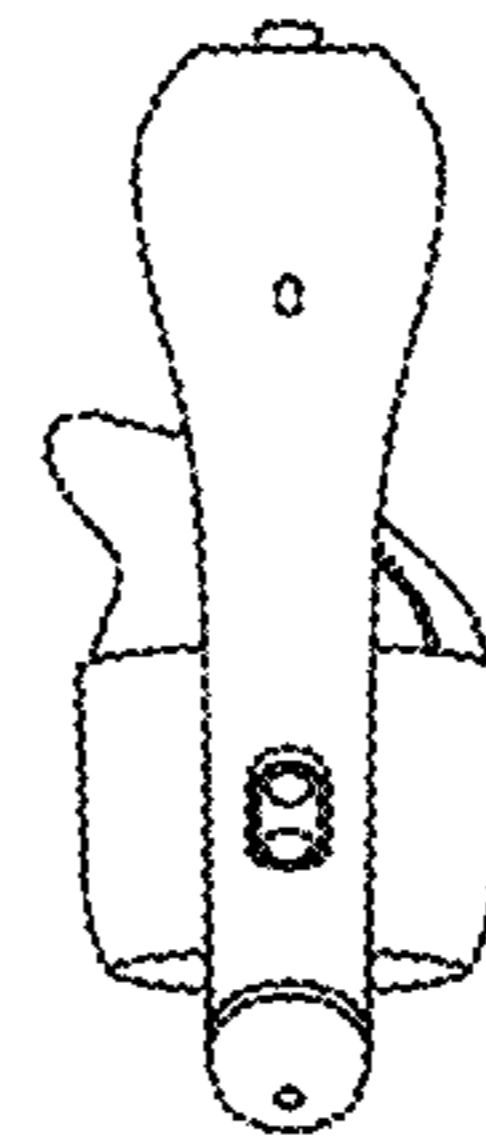
1.4



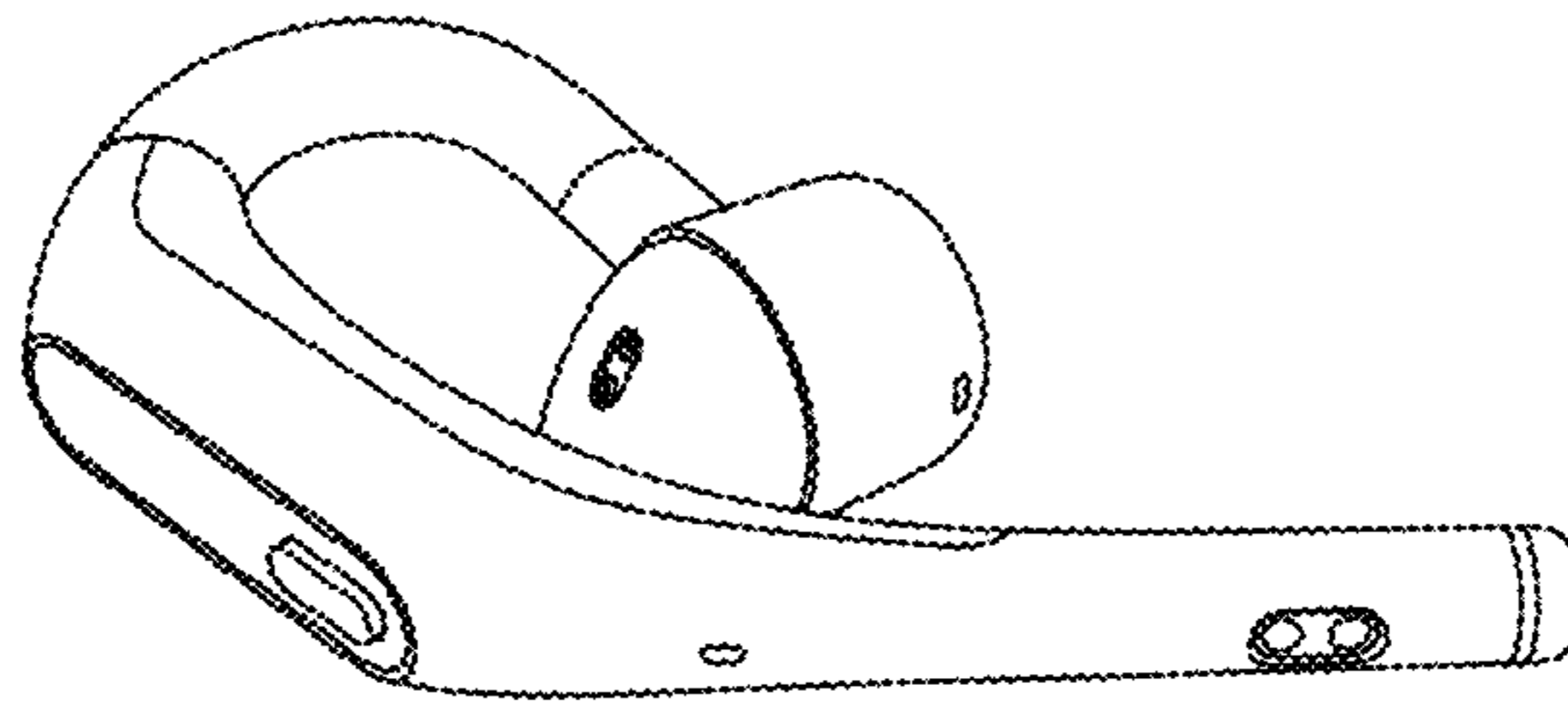
1.5



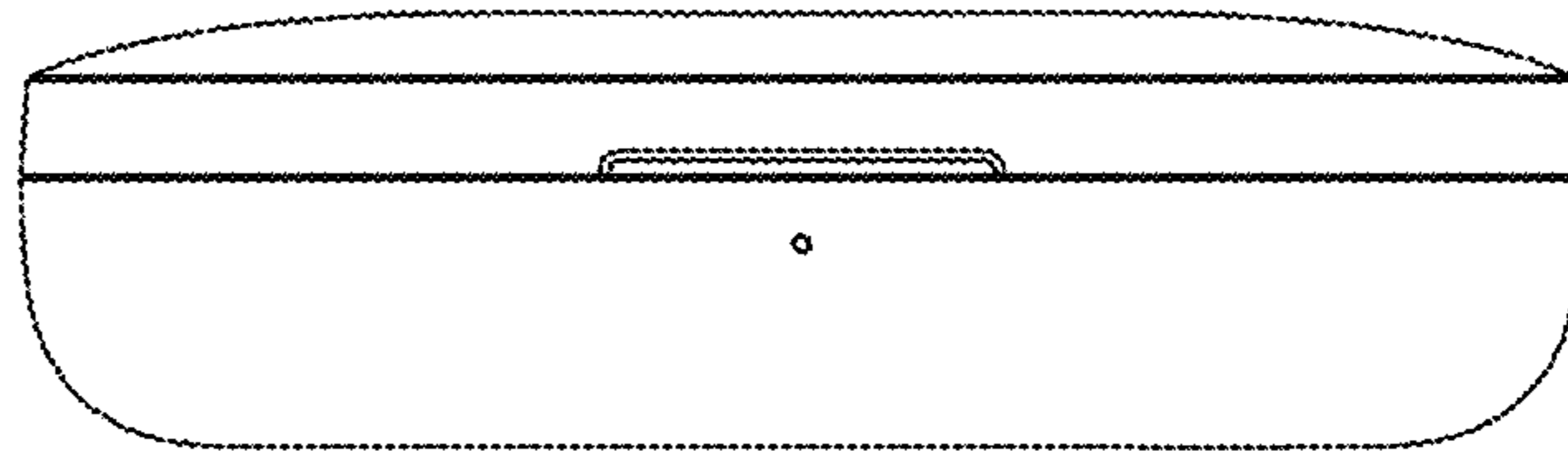
1.6



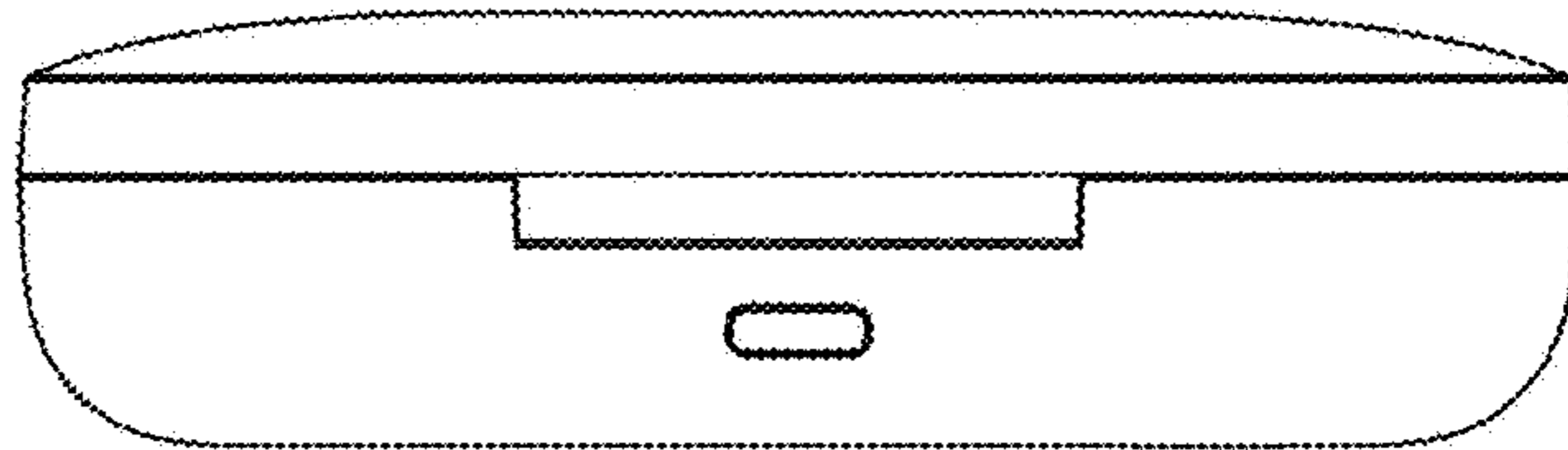
1.7



1.8



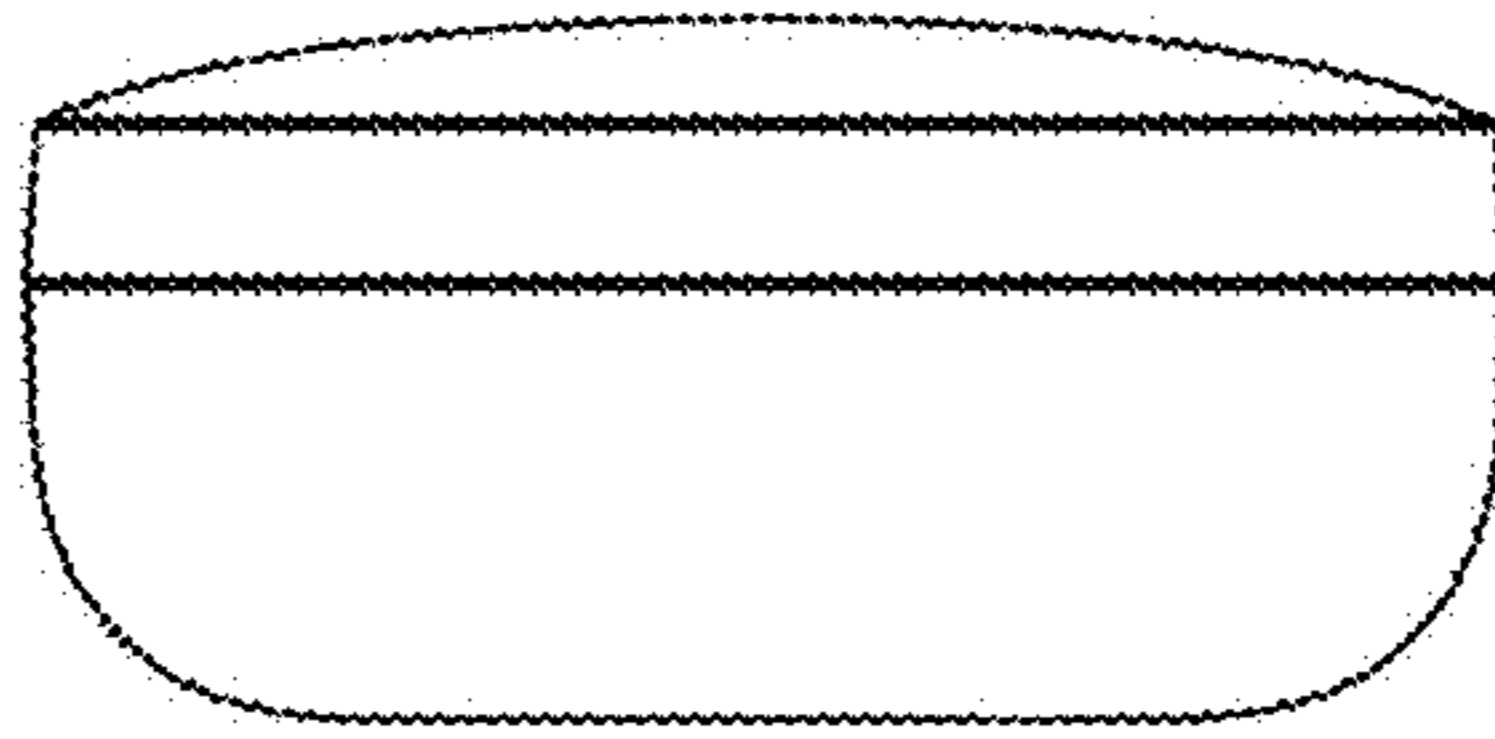
1.9



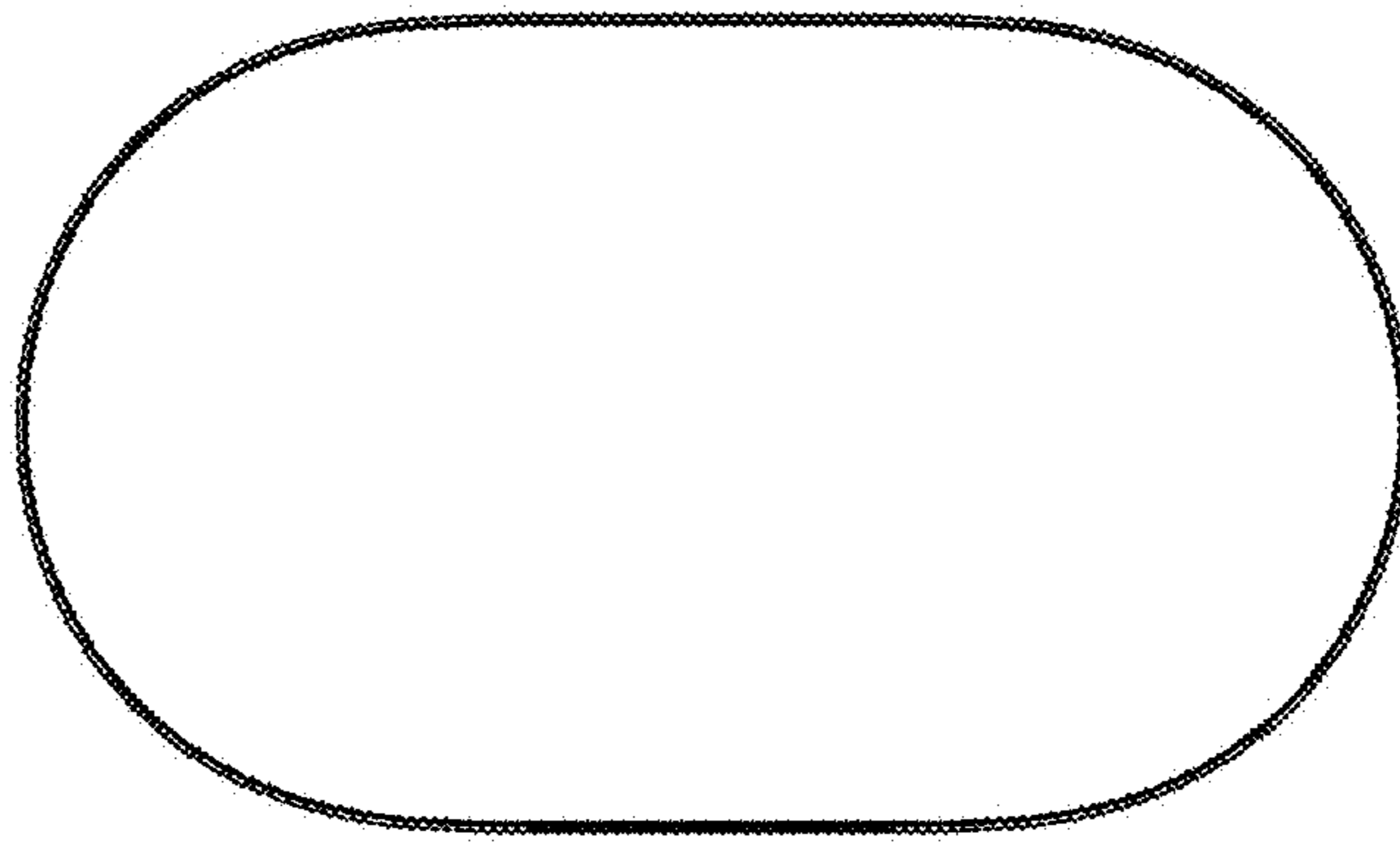
1.10



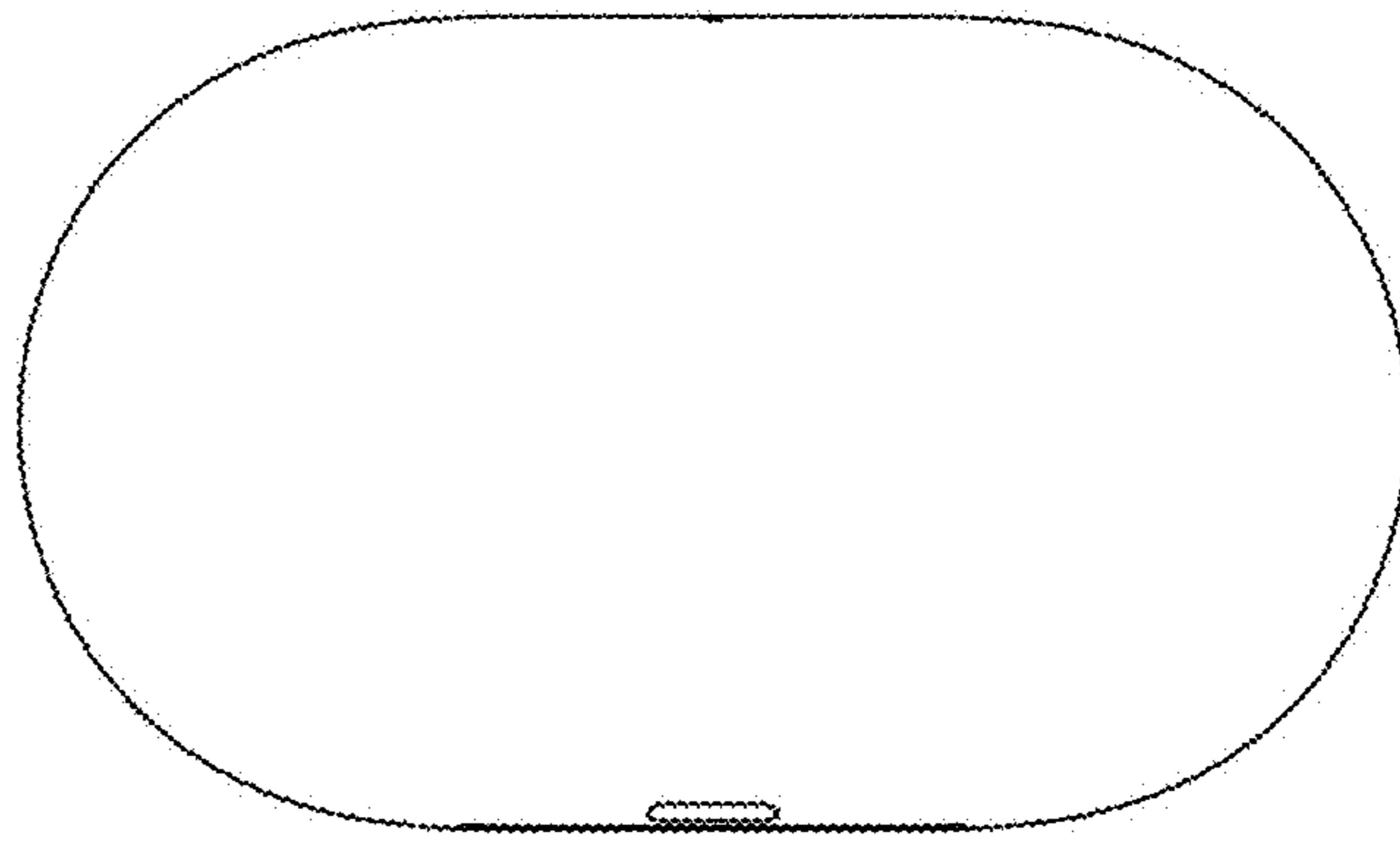
1.11



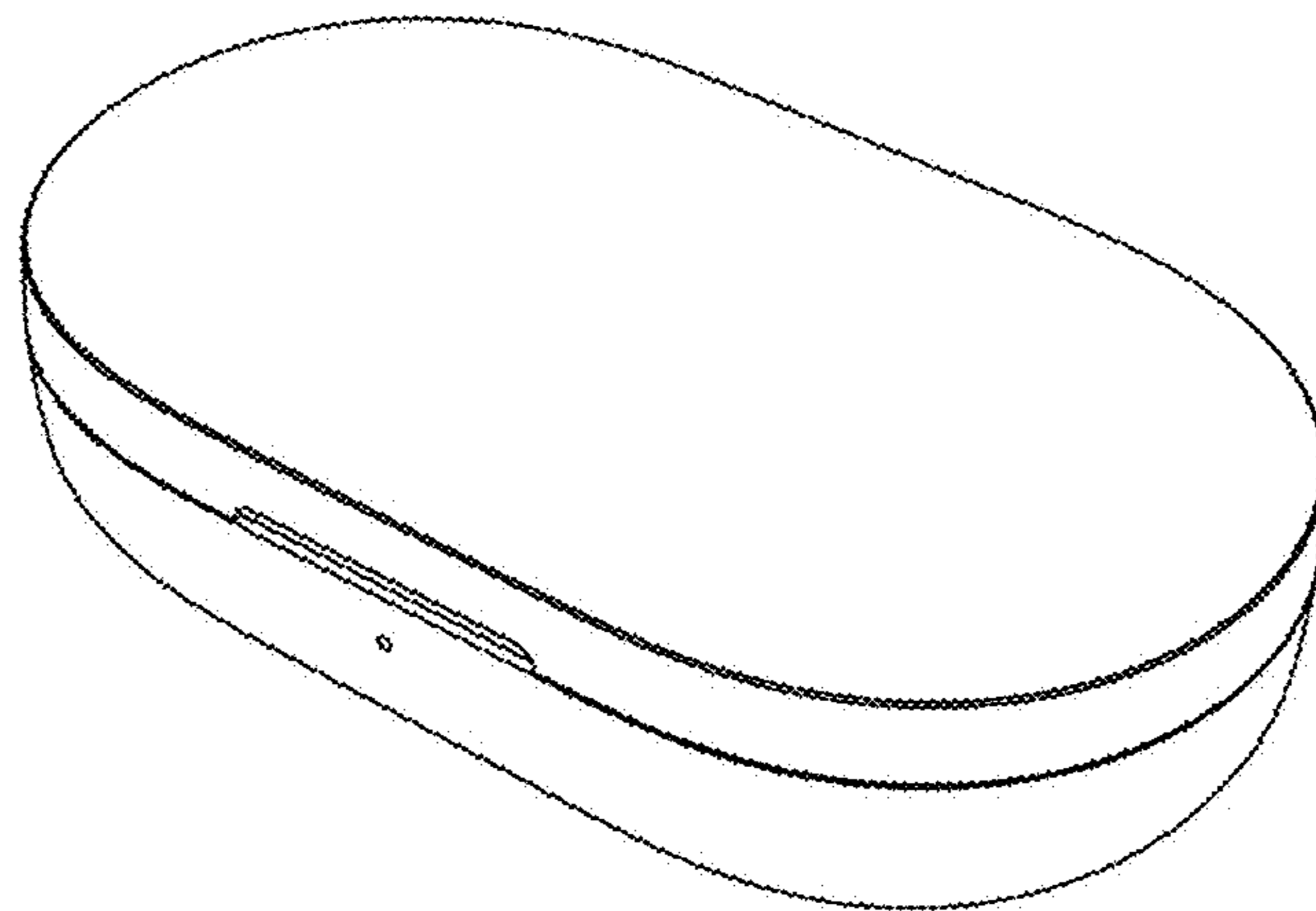
1.12



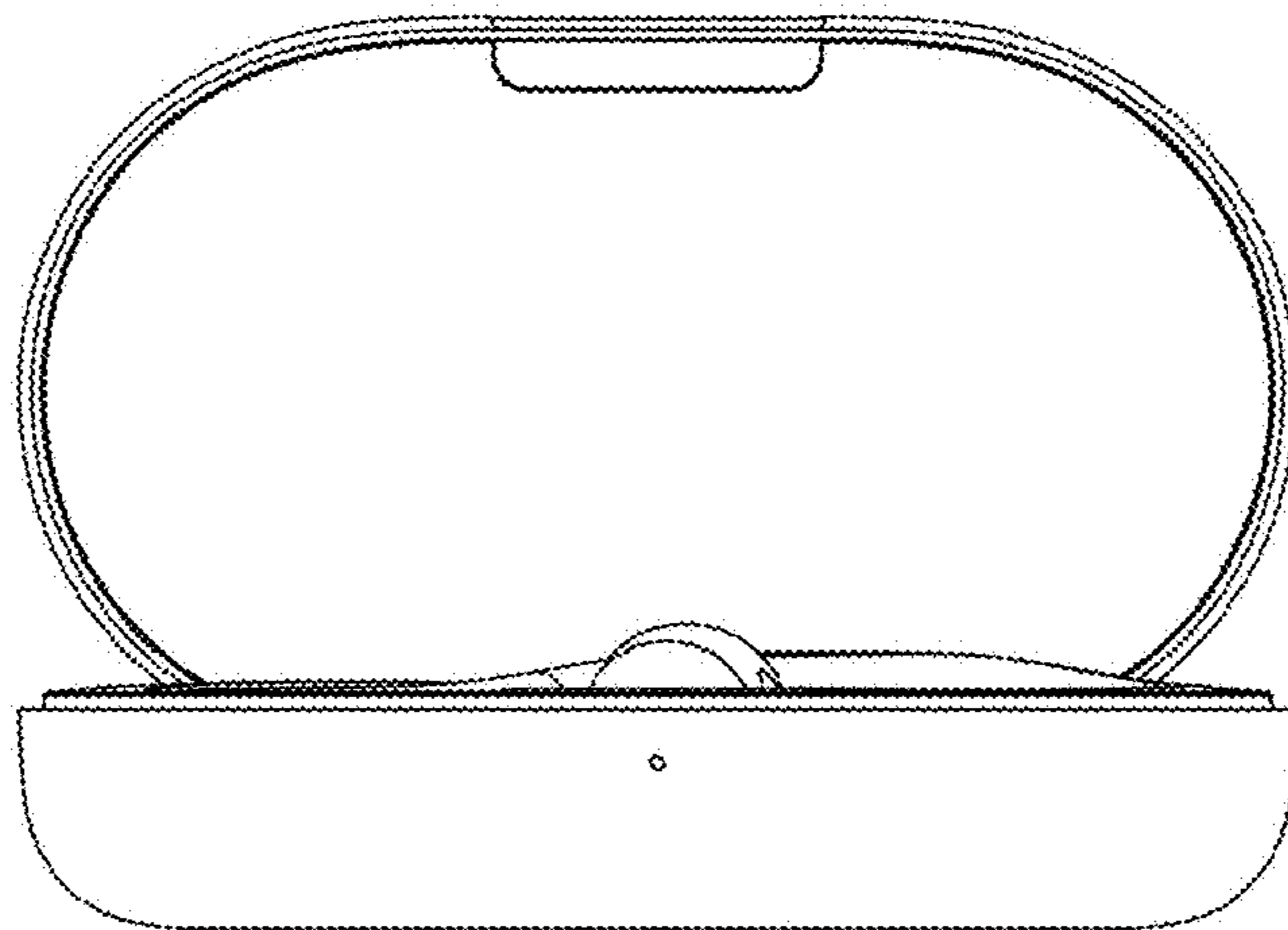
1.13



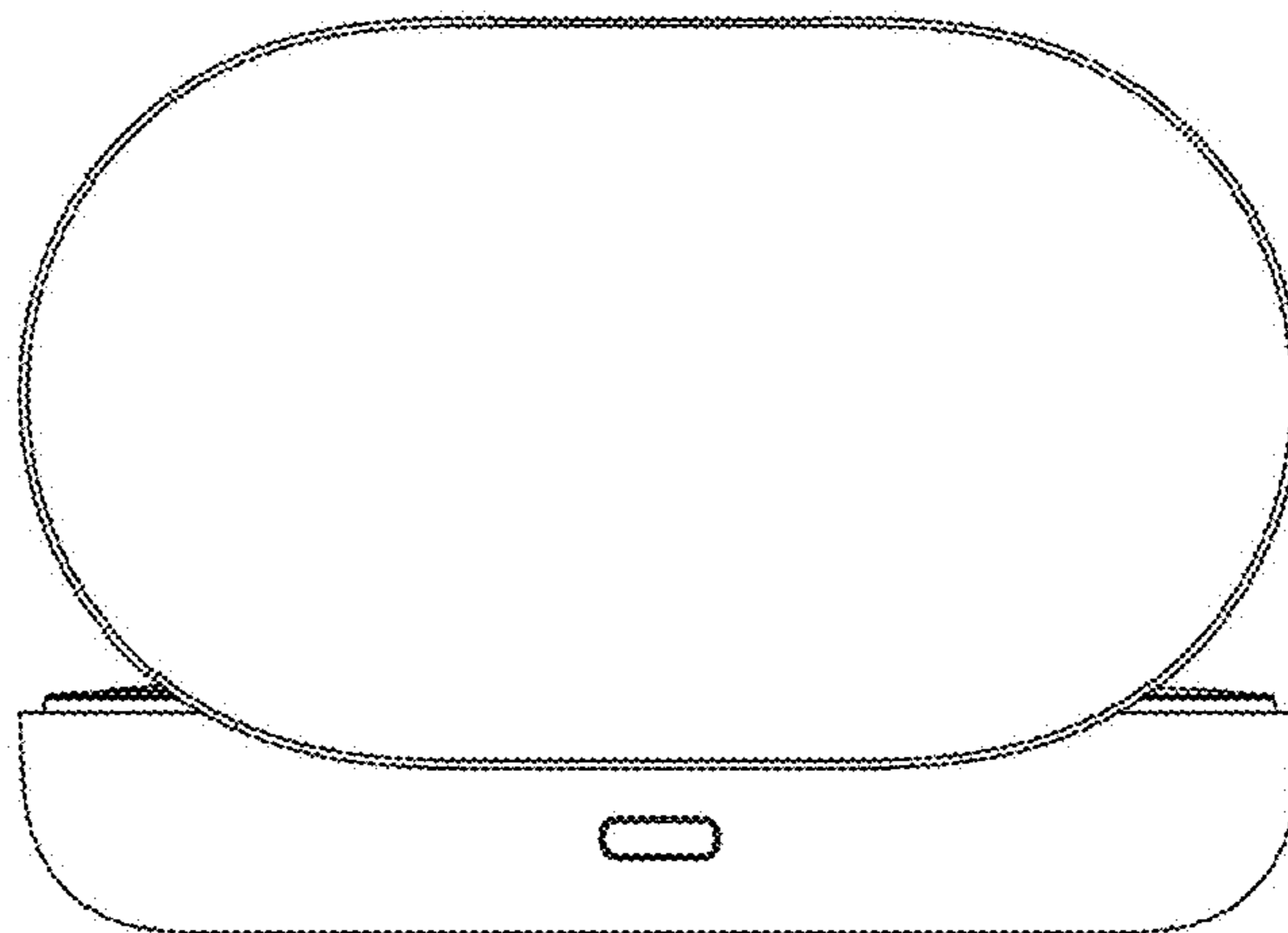
1.14



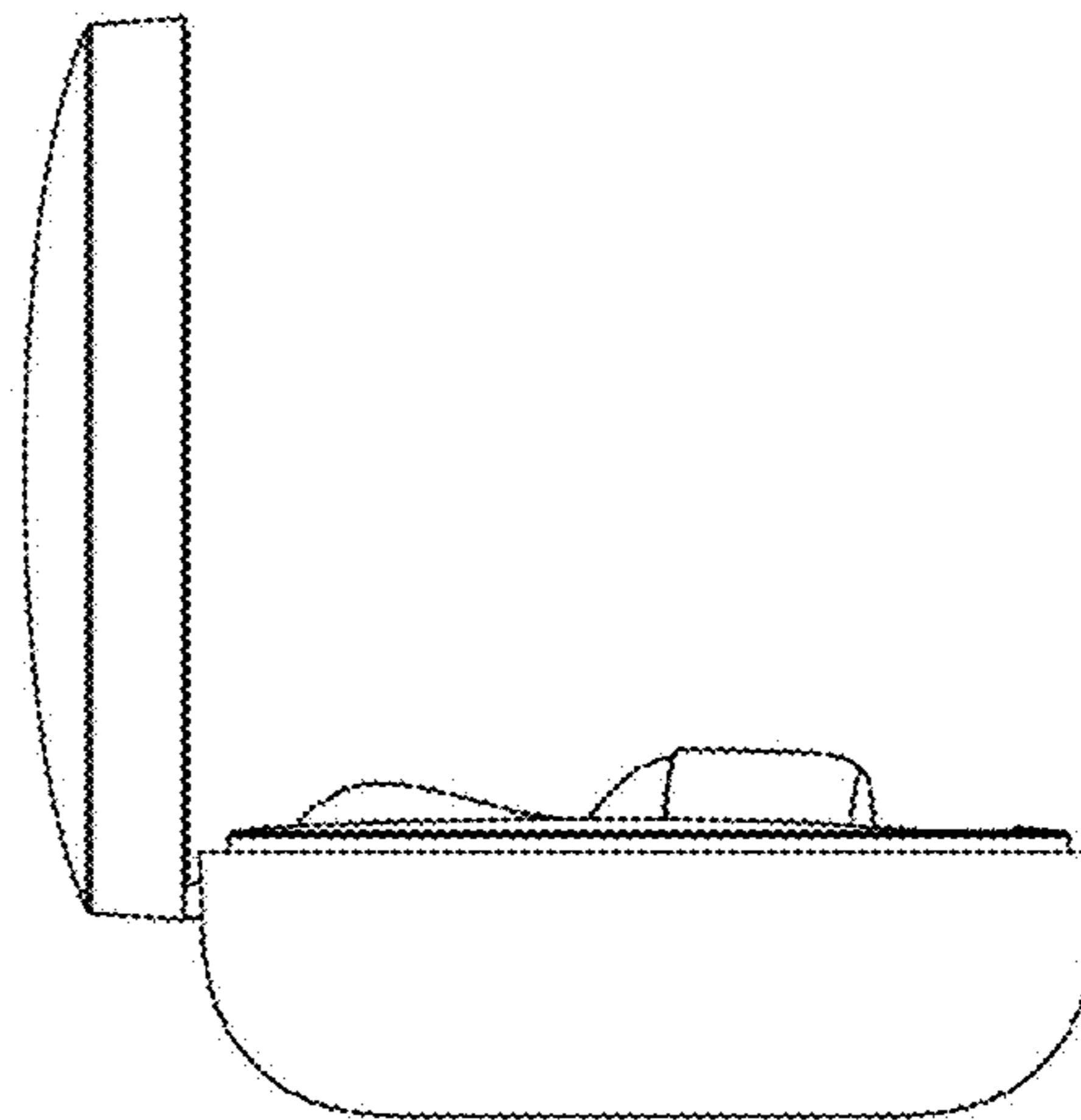
1.15



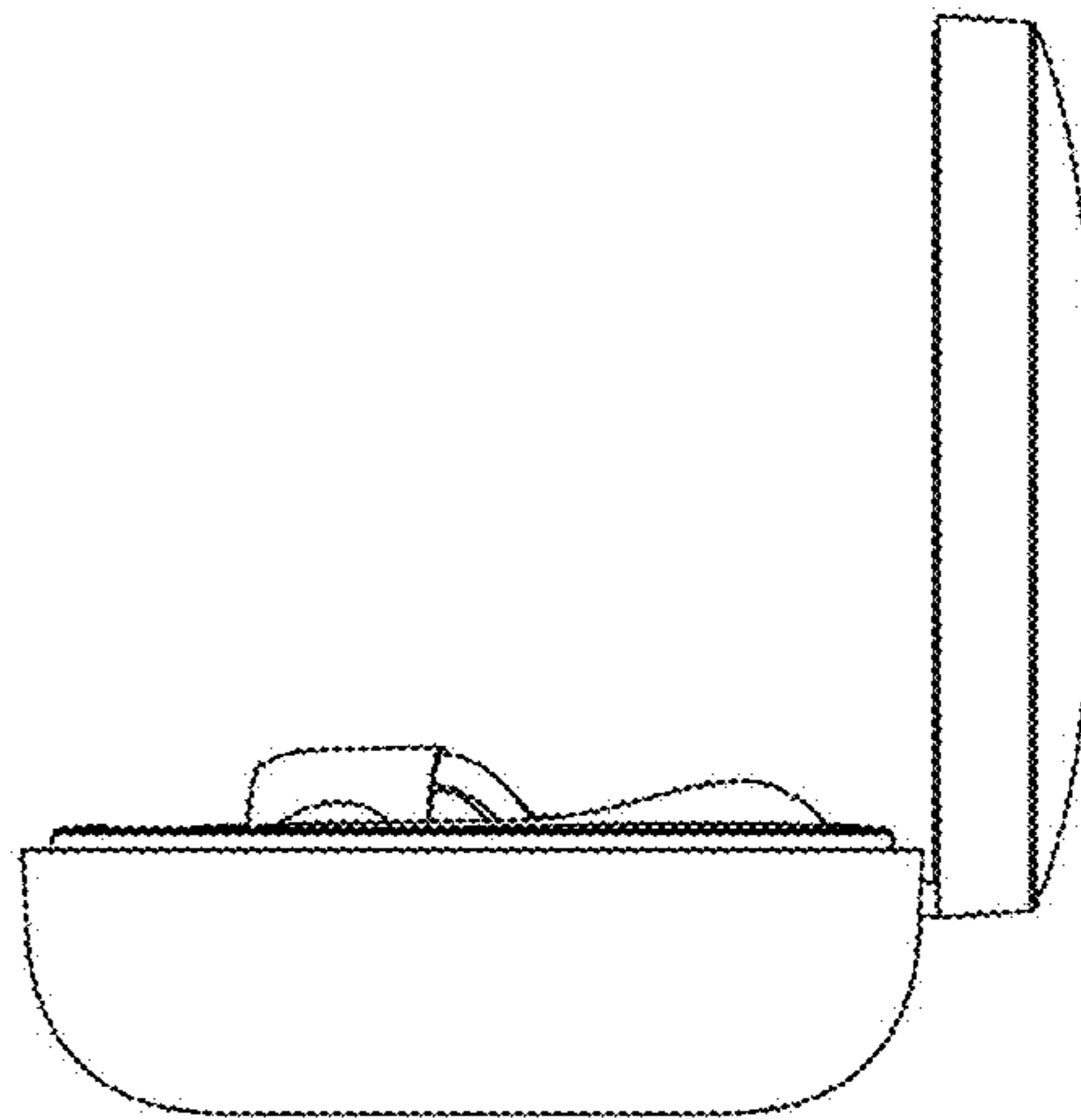
1.16



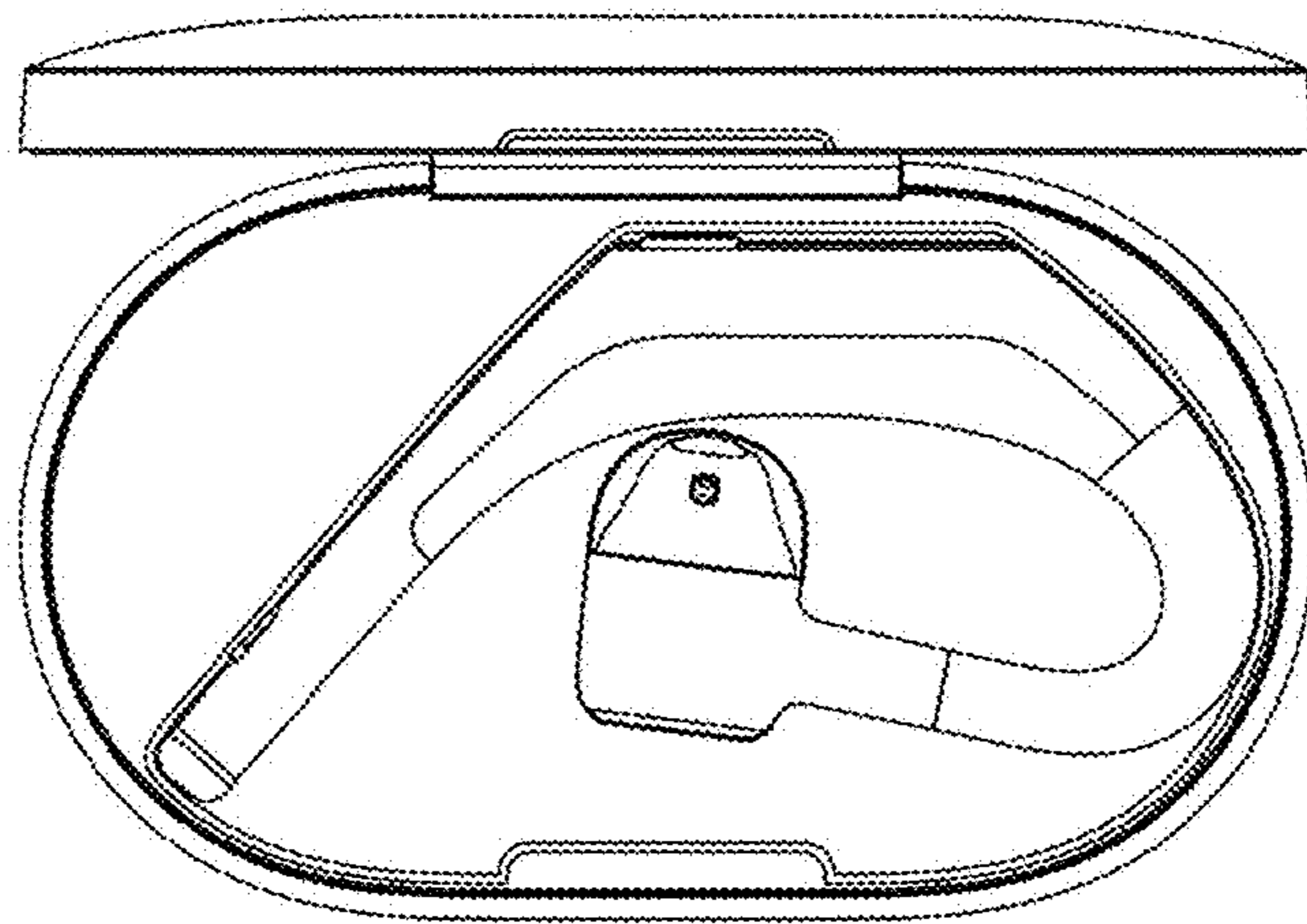
1.17



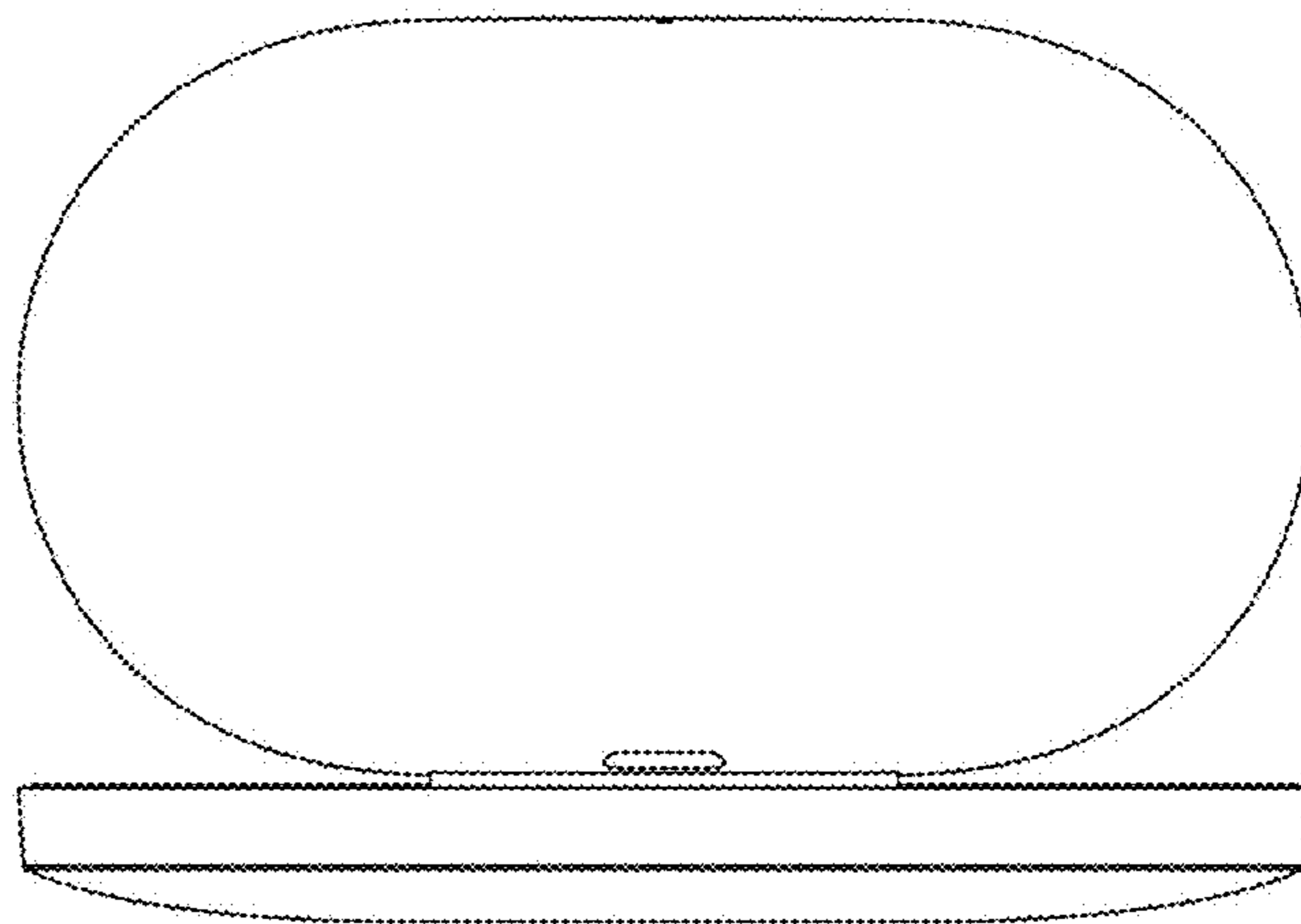
1.18



1.19



1.20



1.21

