

US00D956692S

(12) **United States Design Patent**
Turksu et al.

(10) **Patent No.:** **US D956,692 S**
(45) **Date of Patent:** **** Jul. 5, 2022**

(54) **DOCK FOR A WIRELESS CHARGER**

(71) Applicant: **SARIANA, LLC**, San Diego, CA (US)

(72) Inventors: **Alan Turksu**, San Diego, CA (US);
Mustafa Burak Guclu, San Diego, CA (US)

(73) Assignee: **SARIANA, LLC**, San Diego, CA (US)

(**) Term: **15 Years**

(21) Appl. No.: **29/759,420**

(22) Filed: **Nov. 23, 2020**

(51) **LOC (13) Cl.** **13-02**

(52) **U.S. Cl.**
USPC **D13/108; D14/447**

(58) **Field of Classification Search**
USPC D13/103, 107, 108, 118, 119, 183;
D14/251, 253, 432, 434, 447; D6/682,
D6/682.1, 682.5
CPC H02J 15/00; H02J 7/0044; H04B 1/3877
See application file for complete search history.

(56) **References Cited**

U.S. PATENT DOCUMENTS

| | | | | | | |
|----------|---|---|---------|----------|-------|---------|
| D683,141 | S | * | 5/2013 | Symons | | D6/310 |
| D692,010 | S | * | 10/2013 | Verghese | | D14/447 |
| D756,367 | S | * | 5/2016 | Kim | | D14/447 |
| D765,623 | S | * | 9/2016 | Yang | | D14/224 |
| D780,186 | S | * | 2/2017 | Lee | | D14/447 |
| D790,990 | S | * | 7/2017 | Hopkins | | D10/28 |
| D806,450 | S | * | 1/2018 | Seong | | D6/672 |
| D840,930 | S | * | 2/2019 | Lu | | D13/108 |
| D870,038 | S | * | 12/2019 | Zeng | | D13/108 |

(Continued)

FOREIGN PATENT DOCUMENTS

| | | | |
|----|----------------|---|--------|
| CN | 202030752409.5 | * | 4/2021 |
| GB | 6116274 | * | 1/2021 |

OTHER PUBLICATIONS

“Xvida Wireless Charging Desk Stand”. Found online Dec. 2, 2021 at amazon.com. Reference dated Mar. 22, 2017. Retrieved from https://www.amazon.com/XVIDA-Wireless-Charging-Stand-Cases/dp/B06XSNJVM1/ref=as_li_ss_tl. (Year: 2017).*

(Continued)

Primary Examiner — Kendra Leslie Hamilton

Assistant Examiner — Amanda Christensen

(74) *Attorney, Agent, or Firm* — Wagenknecht IP Law Group PC

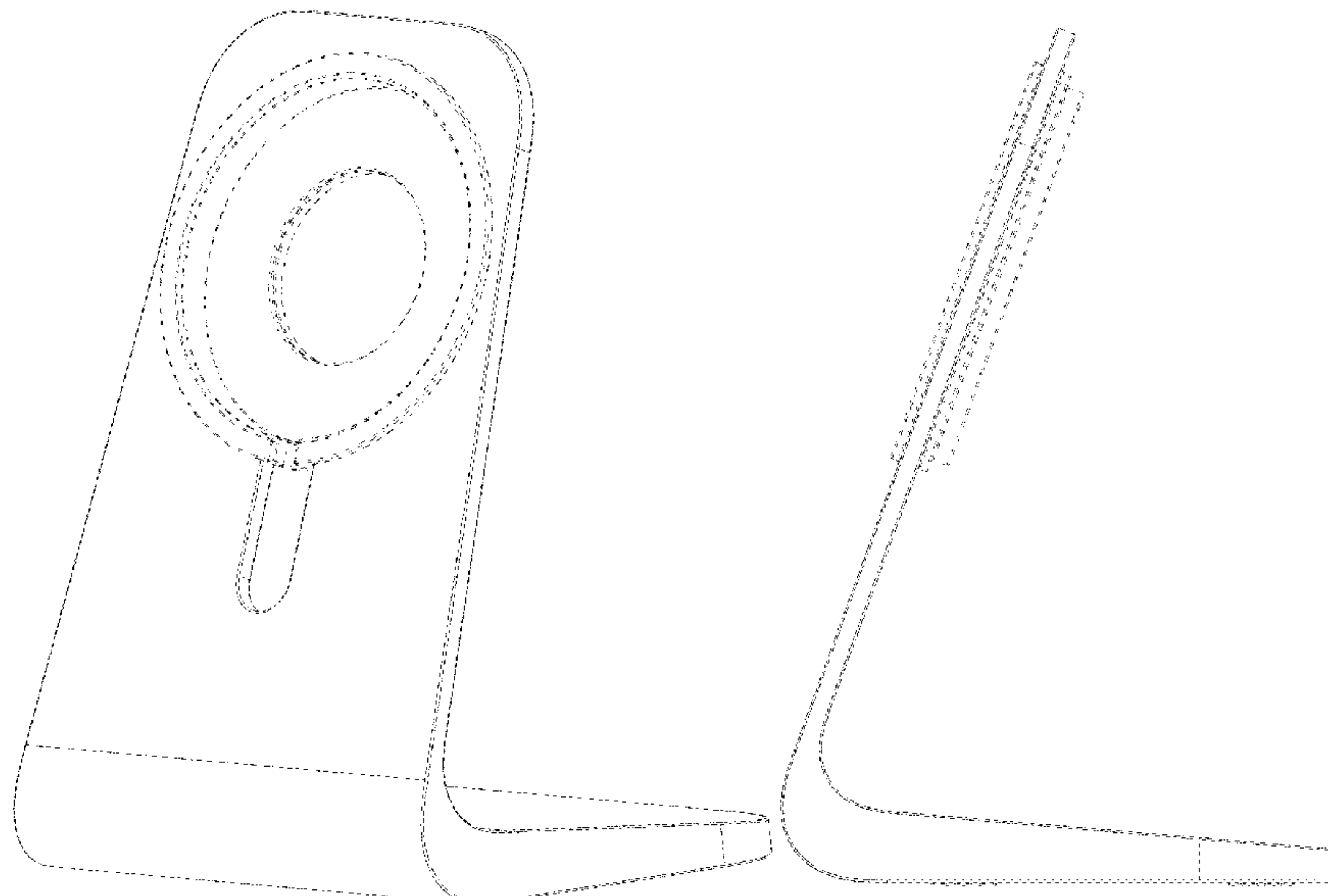
(57) **CLAIM**

The ornamental design for a dock for a wireless charger, as shown and described.

DESCRIPTION

FIG. 1 is a top, front and left side perspective view of a dock for a wireless charger showing our new design; FIG. 2 is a top, rear and right side perspective view thereof; FIG. 3 is a front elevational view thereof; FIG. 4 is a rear elevational view thereof; FIG. 5 is a left side elevational view thereof; FIG. 6 is a right side elevational view thereof; FIG. 7 is a top plan view thereof; FIG. 8 is a bottom plan view thereof; FIG. 9 is a top, front and left perspective view of the dock for a wireless charger, shown in a first condition of use; and, FIG. 10 is a top, front and left perspective view of the dock for a wireless charger, shown in a second condition of use. In the drawings, the broken lines on the dock for a wireless charger depict portions of the dock for a wireless charger that form no part of the claimed design. In FIGS. 9 and 10, the broken lines showing a wireless charger with cord and mobile phone depict environmental subject matter only, and form no part of the claimed design.

1 Claim, 10 Drawing Sheets



(56)

References Cited

U.S. PATENT DOCUMENTS

D930,582 S * 9/2021 Lee D13/108
2017/0223862 A1 * 8/2017 Justiss A47B 23/043
2019/0327351 A1 * 10/2019 Clarke H04M 1/04
2020/0112193 A1 * 4/2020 Wu H04B 5/0037

OTHER PUBLICATIONS

“EZCO Charger Dock”. Found online Sep. 8, 2021 at amazon.com. Reference dated Dec. 4, 2018. Retrieved from <https://www.amazon.com/EZCO-Compatible-Vivoactive-Charging-Smartwatch/dp/B07L3WQSCS>. (Year: 2018).*

“Lamicall Phone Stand”. Found online Dec. 1, 2021 at amazon.com. Reference dated Feb. 10, 2020. Retrieved from <https://www.amazon.com/Cell-Phone-Stand-Lamicall-Accessories/dp/B077ZV8FKD>. (Year: 2020).*

* cited by examiner

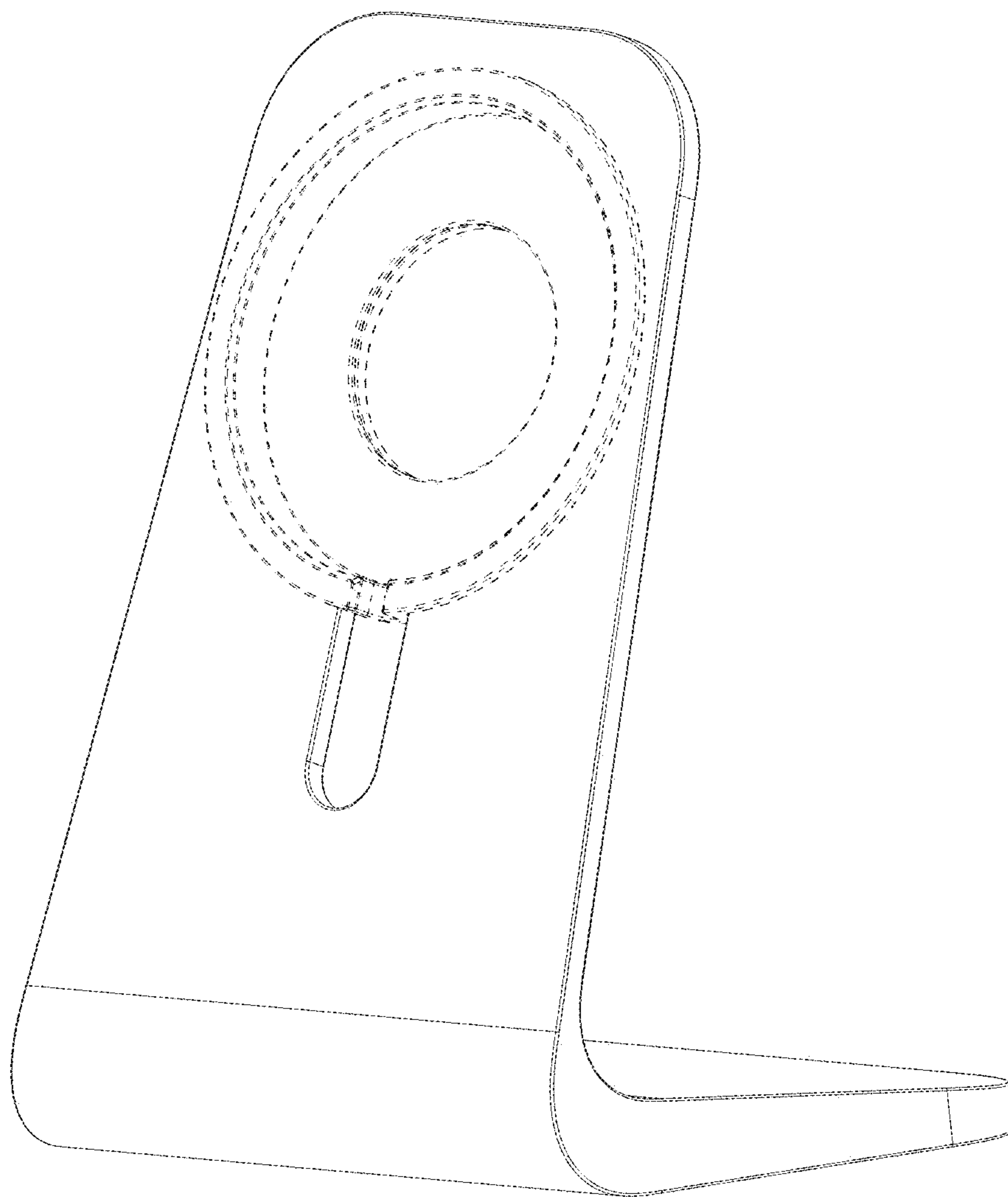


FIG. 1

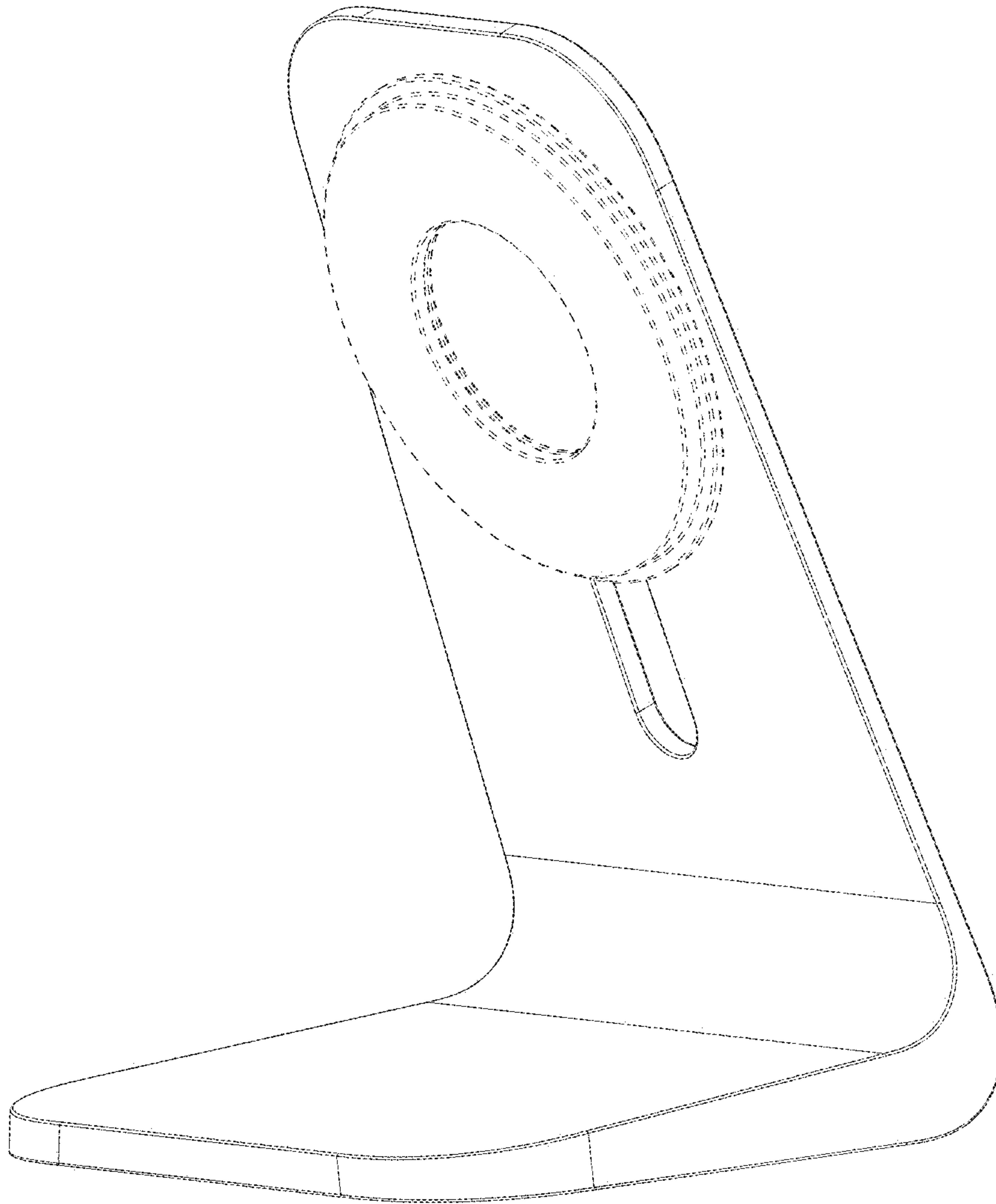


FIG. 2

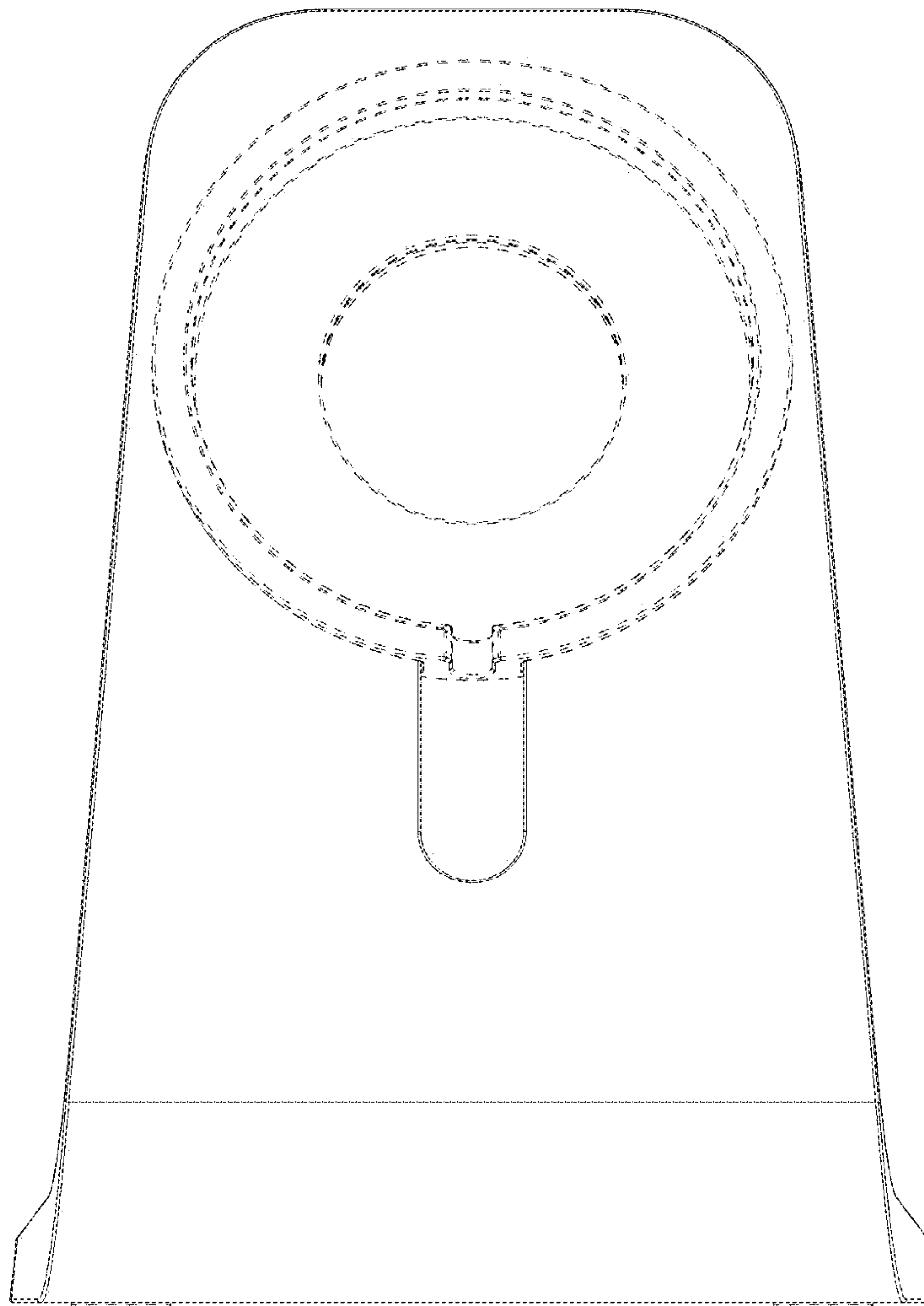


FIG. 3

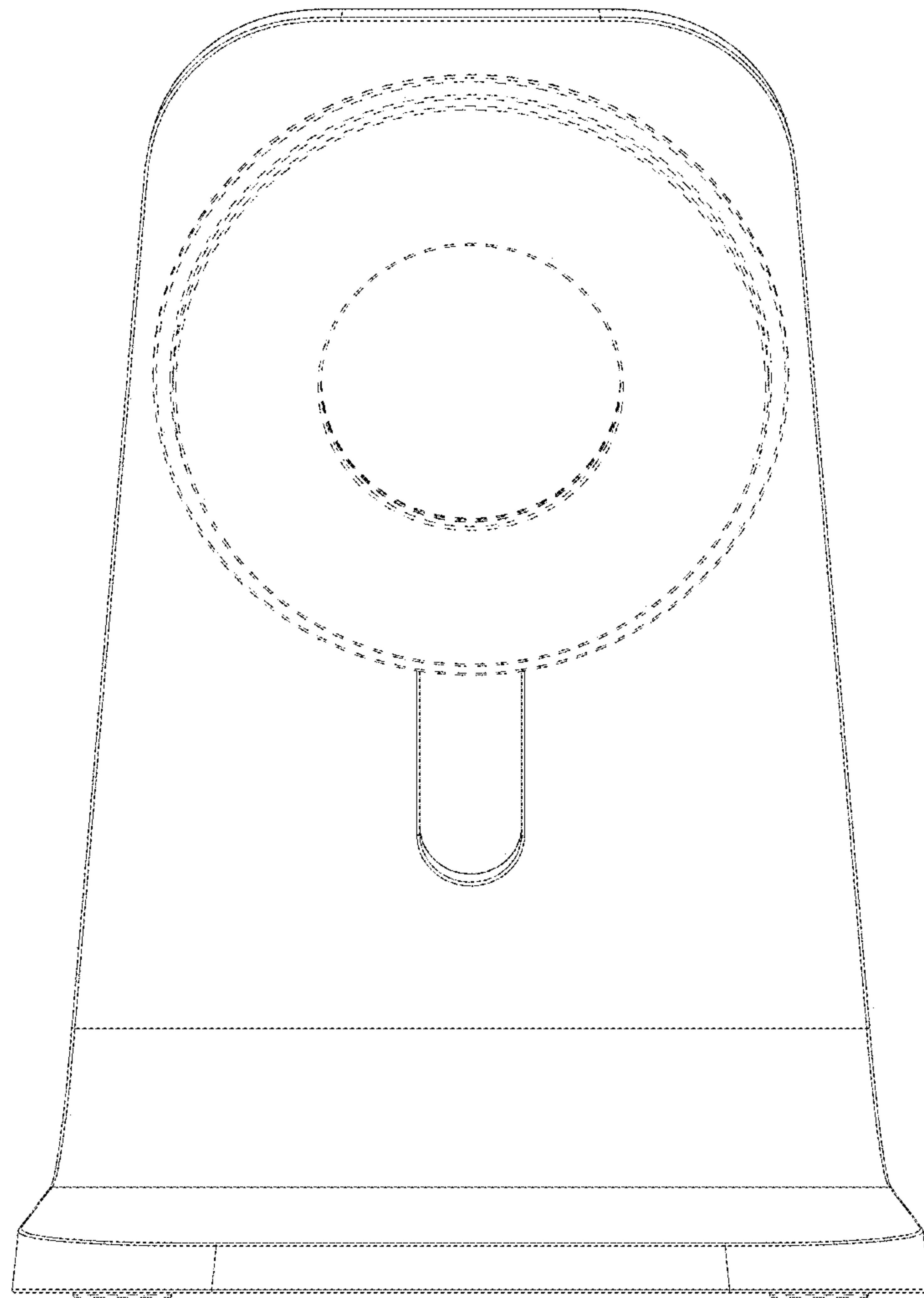


FIG. 4

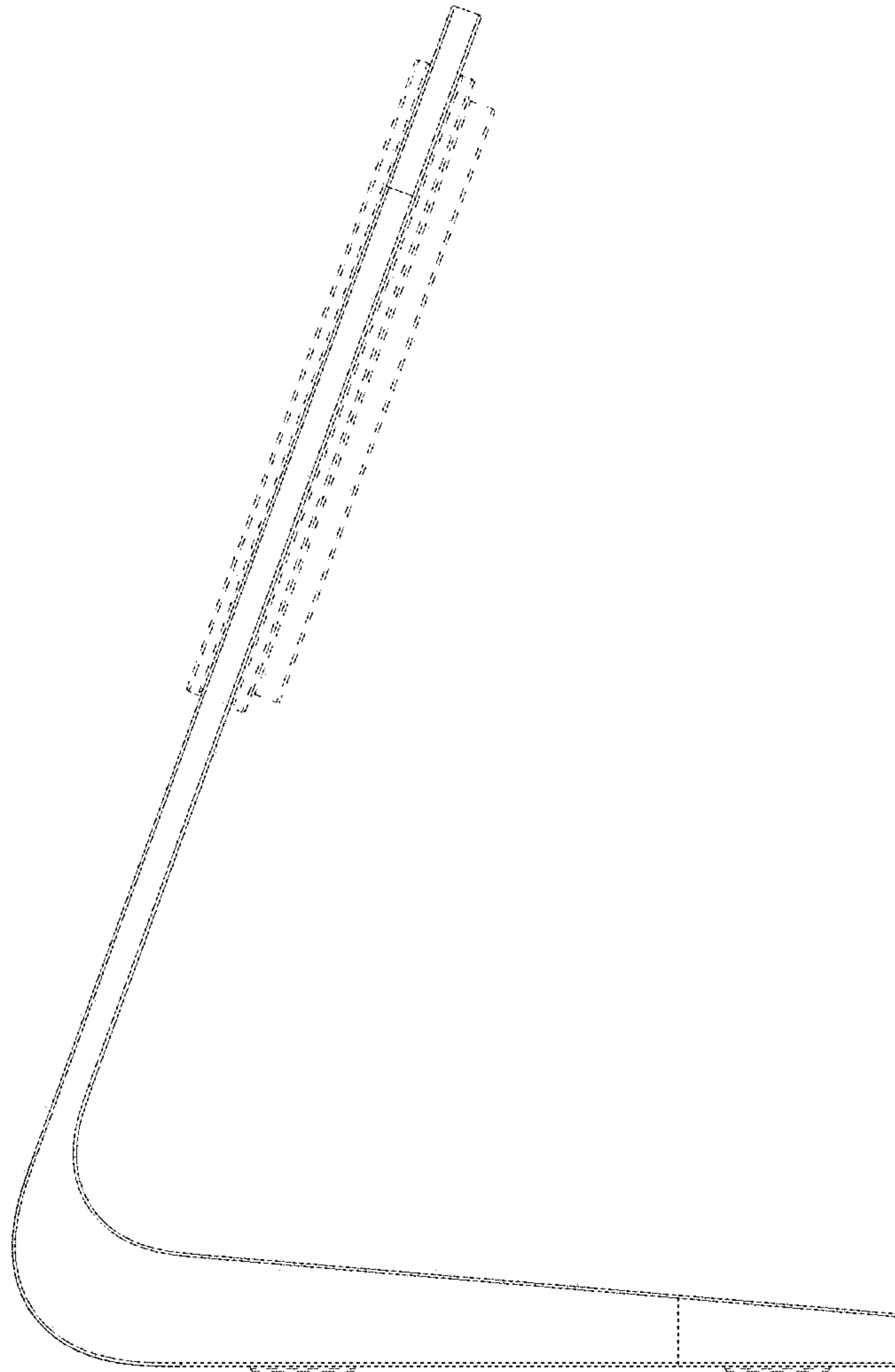


FIG. 5

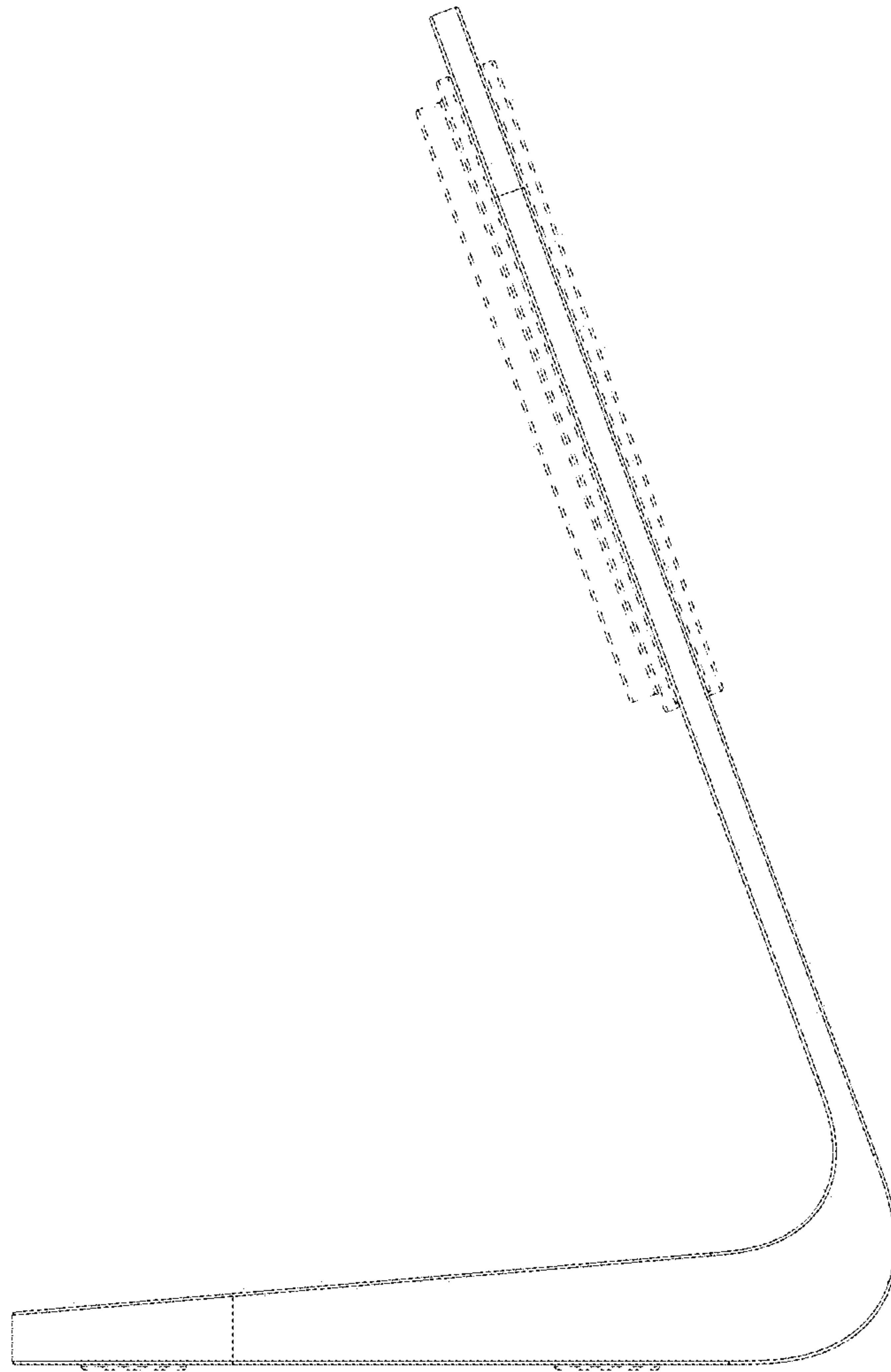


FIG. 6

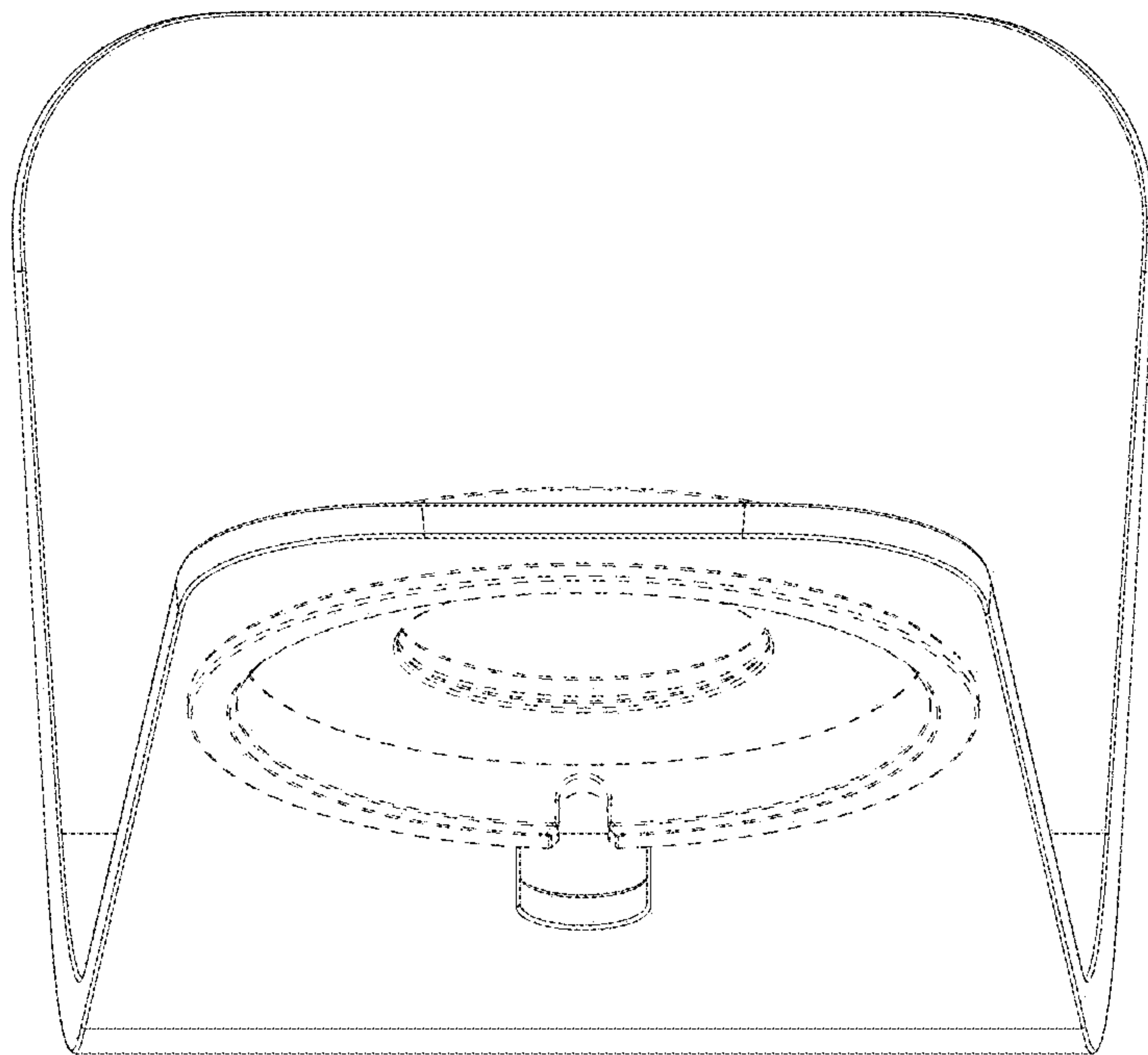


FIG. 7

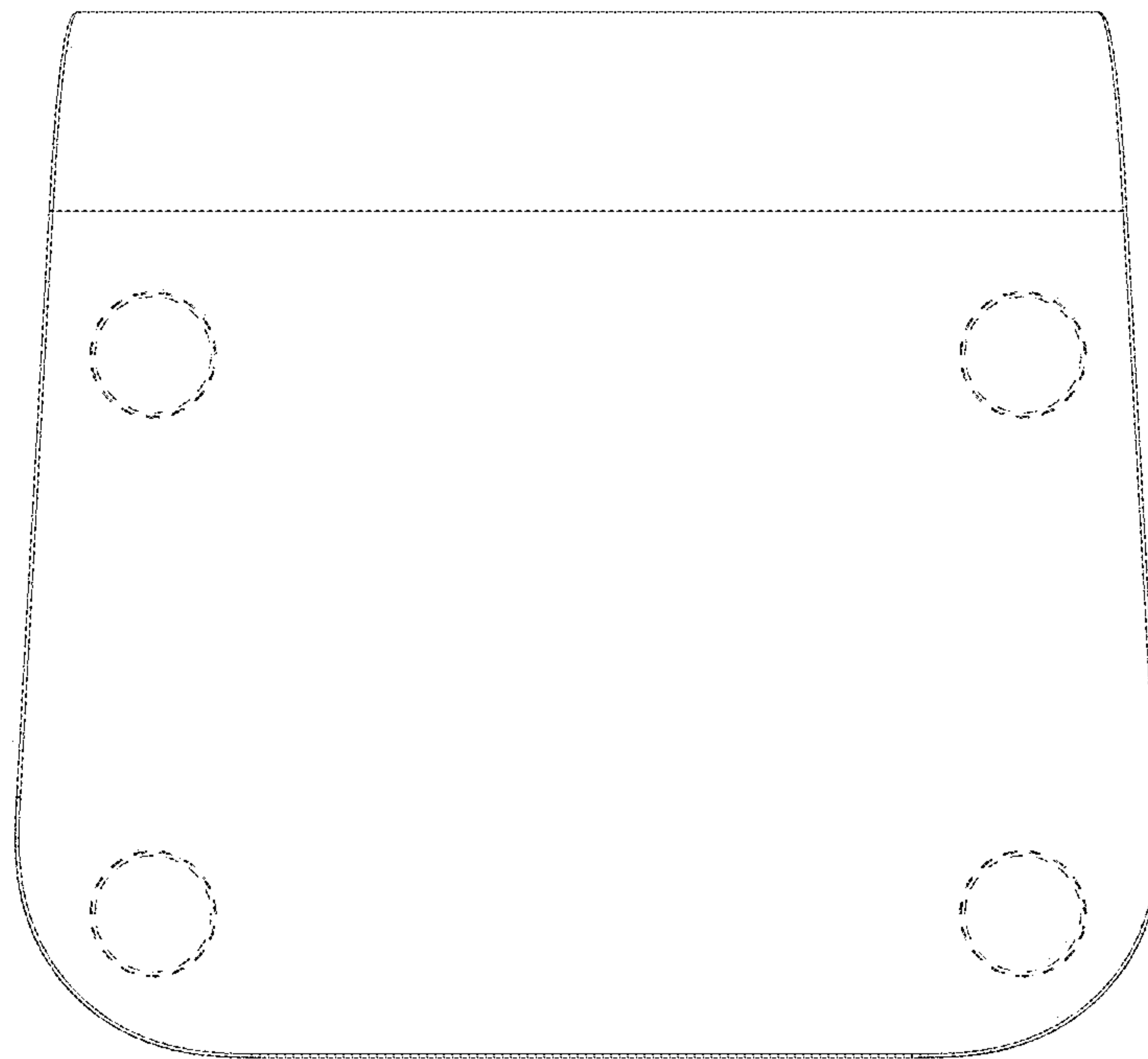


FIG. 8

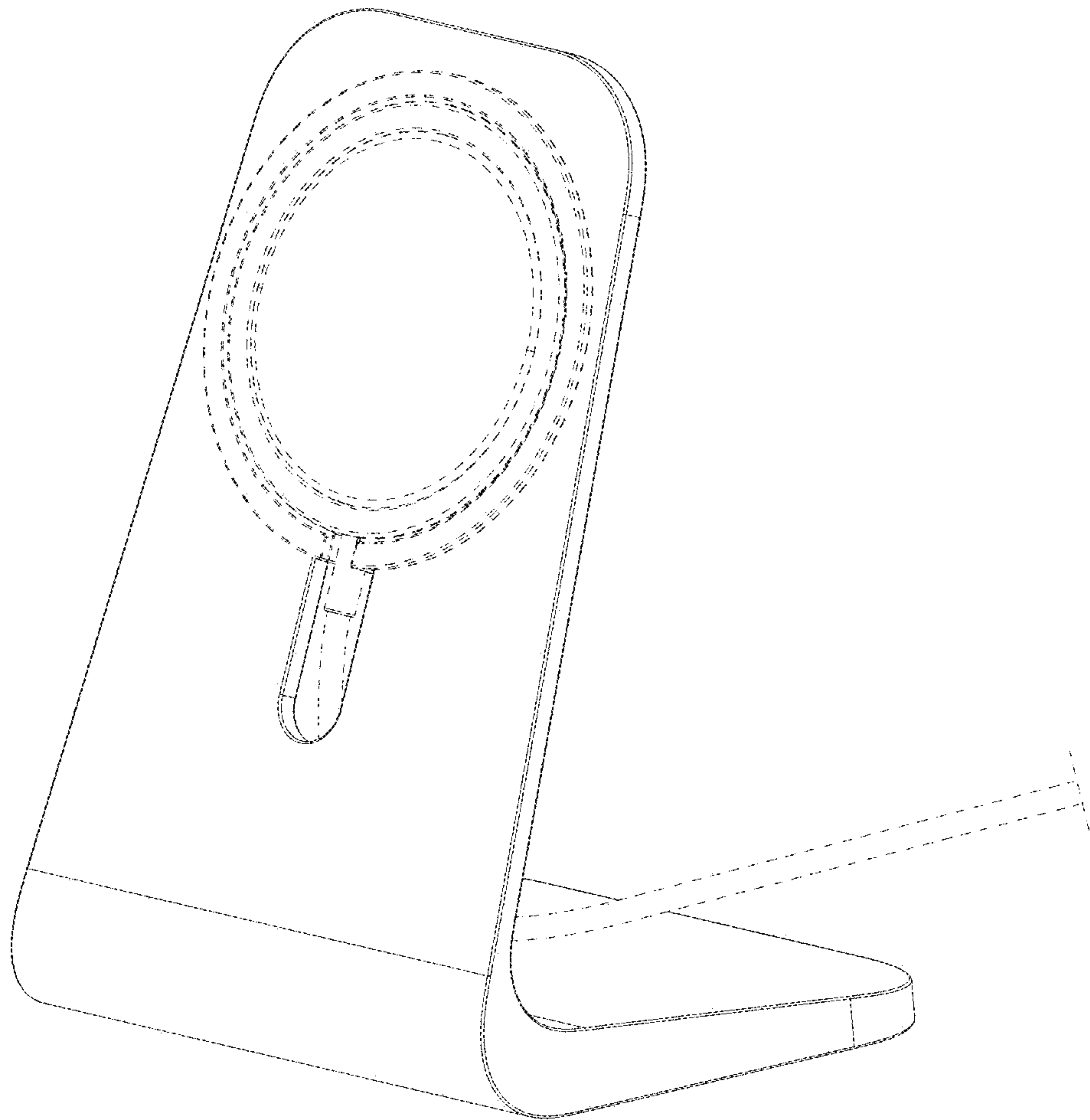


FIG. 9

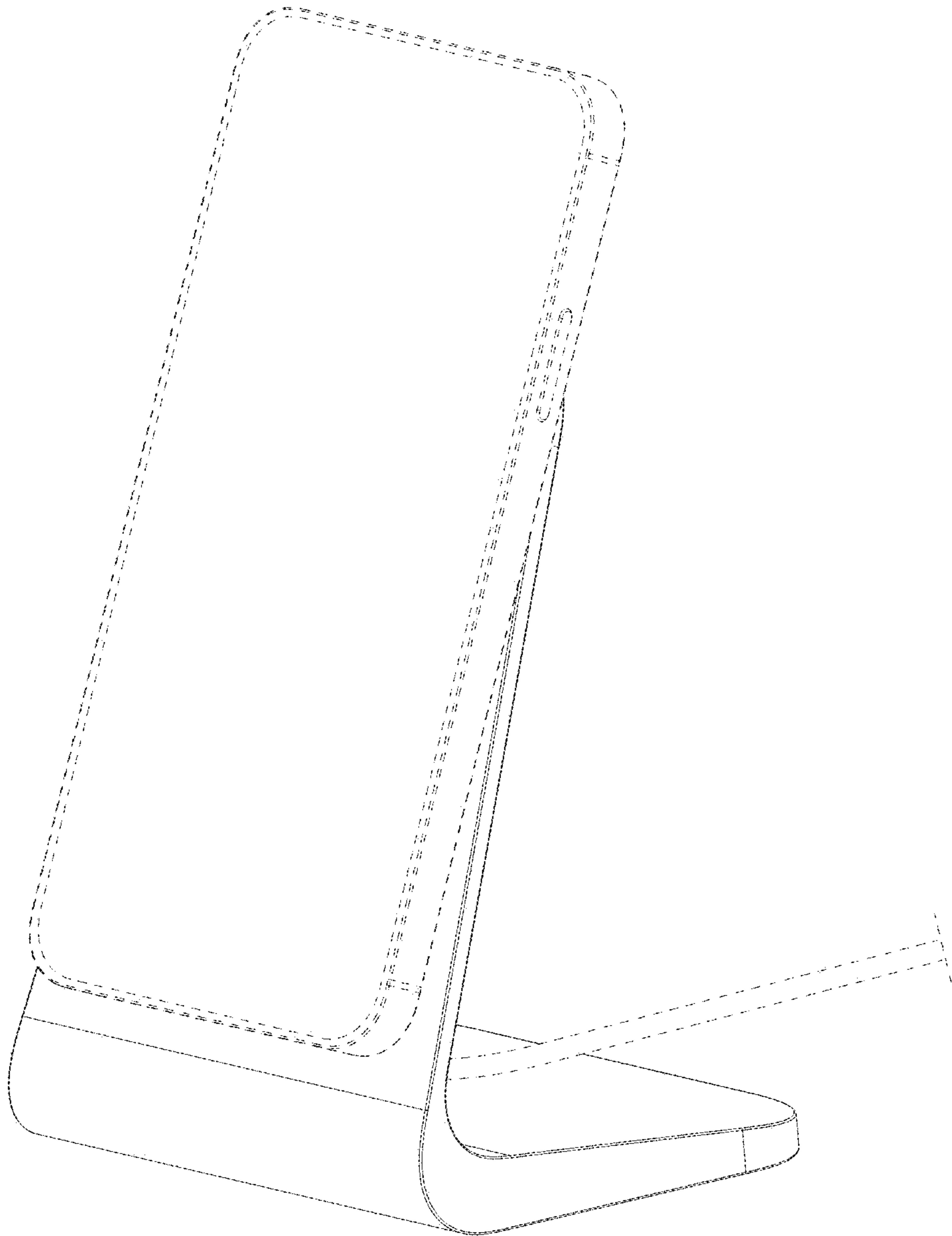


FIG. 10