



US00D956691S

(12) **United States Design Patent** (10) **Patent No.:** **US D956,691 S**
Xu (45) **Date of Patent:** **** Jul. 5, 2022**

(54) **WIRELESS CHARGER**

7/0013; H02J 7/0055; H02J 7/0057;
Y02T 10/7005; Y02T 10/705; Y02T
10/7088

(71) Applicant: **Jian Xu**, Shenzhen (CN)

See application file for complete search history.

(72) Inventor: **Jian Xu**, Shenzhen (CN)

(56) **References Cited**

(73) Assignee: **SHENZHEN MOSSLOO INDUSTRIAL CO., LTD**, Shenzhen (CN)

U.S. PATENT DOCUMENTS

(**) Term: **15 Years**

D593,940 S *	6/2009	Nomi	D13/103
D873,215 S *	1/2020	Wu	D13/108
D885,327 S *	5/2020	Leeds-Frank	D13/103
D920,569 S *	5/2021	Michaud	D27/162
D922,675 S *	6/2021	Michaud	D27/162

(21) Appl. No.: **29/740,243**

* cited by examiner

(22) Filed: **Jul. 1, 2020**

Primary Examiner — Christy Nemeth

(51) **LOC (13) Cl.** **13-02**

(57) **CLAIM**

(52) **U.S. Cl.**
USPC **D13/108**

The ornamental design for a wireless charger, as shown and described.

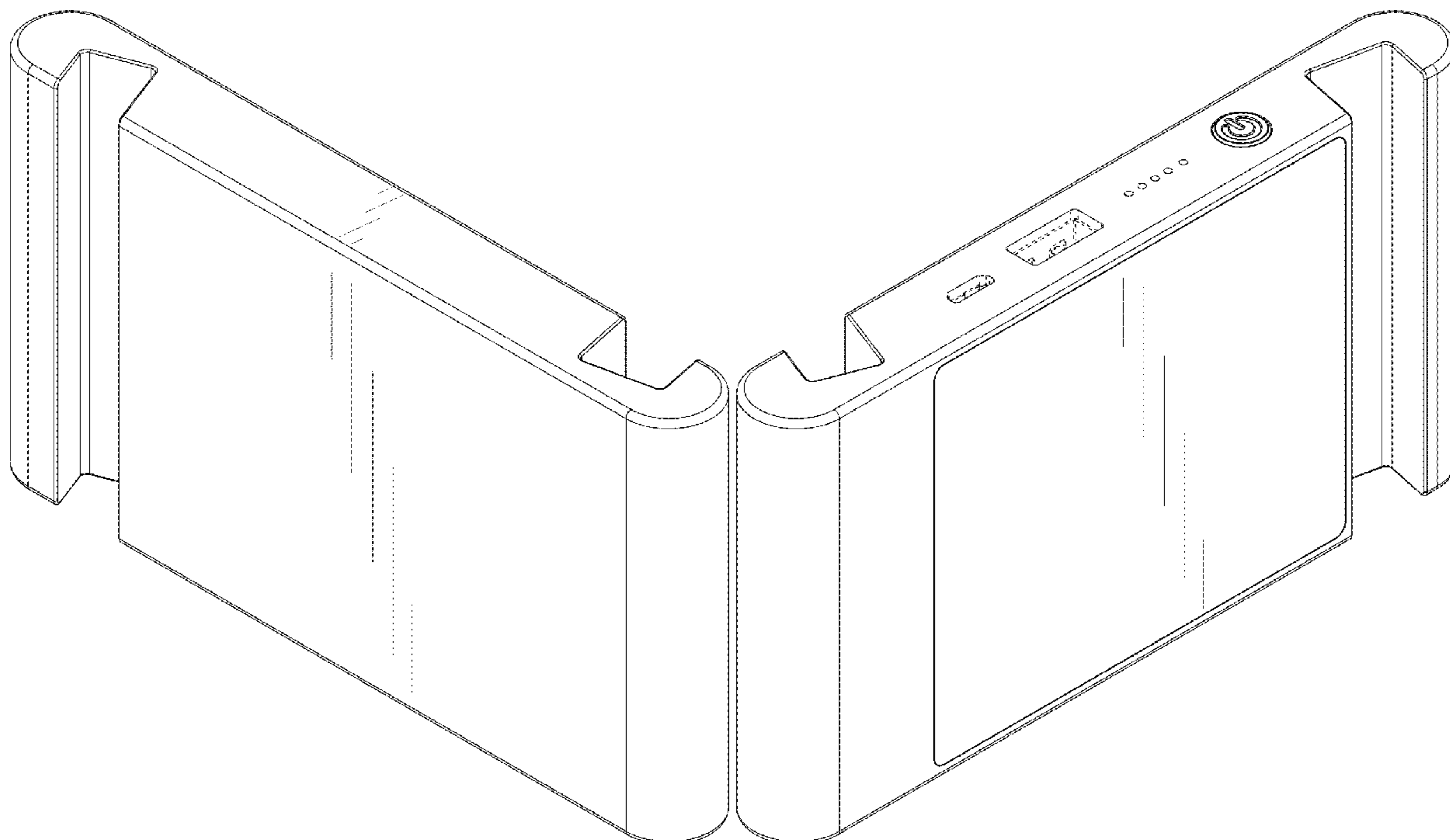
(58) **Field of Classification Search**

DESCRIPTION

USPC D13/102–110, 118, 119, 153, 154, 184,
D13/199; D26/51; D24/217
CPC Y02E 60/10; Y02E 60/12; Y02E 60/122;
Y02E 60/124; Y02E 60/50; H01M 2/02;
H01M 2/022; H01M 2/0202; H01M
2/0207; H01M 2/0212; H01M 2/1061;
H01M 2/1022; H01M 2/1055; H01M
2/1066; H01M 2/105; H01M 2/20; H01M
2/202; H01M 2/204; H01M 2/206; H01M
2200/30; H01M 2250/30; H01M 2250/40;
H01M 10/44; H01M 10/46; H01M
10/465; H01M 10/482; H01M 10/4257;
H01M 10/0436; H01M 10/48; H02J
7/0034; H02J 7/0054; H02J 7/1423; H02J
7/00; H02J 7/0003; H02J 7/0011; H02J

FIG. 1 is a top, front perspective view of a wireless charger showing my new design;
FIG. 2 is a bottom, rear perspective view thereof;
FIG. 3 is a front elevational view thereof;
FIG. 4 is a rear elevational view thereof;
FIG. 5 is a left side elevational view thereof;
FIG. 6 is a right side elevational view thereof;
FIG. 7 is a top plan view thereof; and,
FIG. 8 is a bottom plan view thereof.
The broken lines shown in the figures are for the purpose of illustrating portions of the wireless charger, which form no parts of the claimed design.

1 Claim, 8 Drawing Sheets



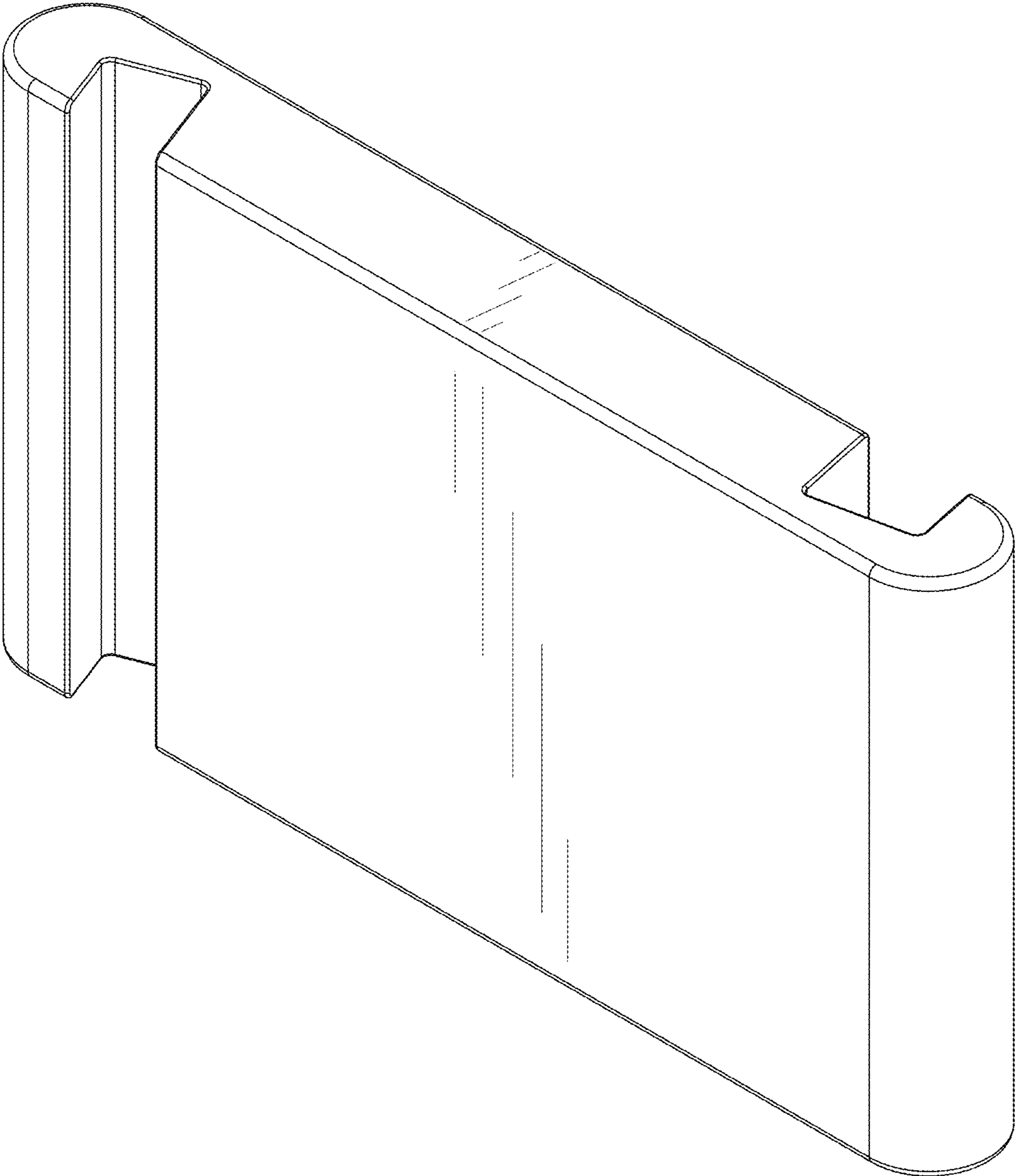


FIG. 1

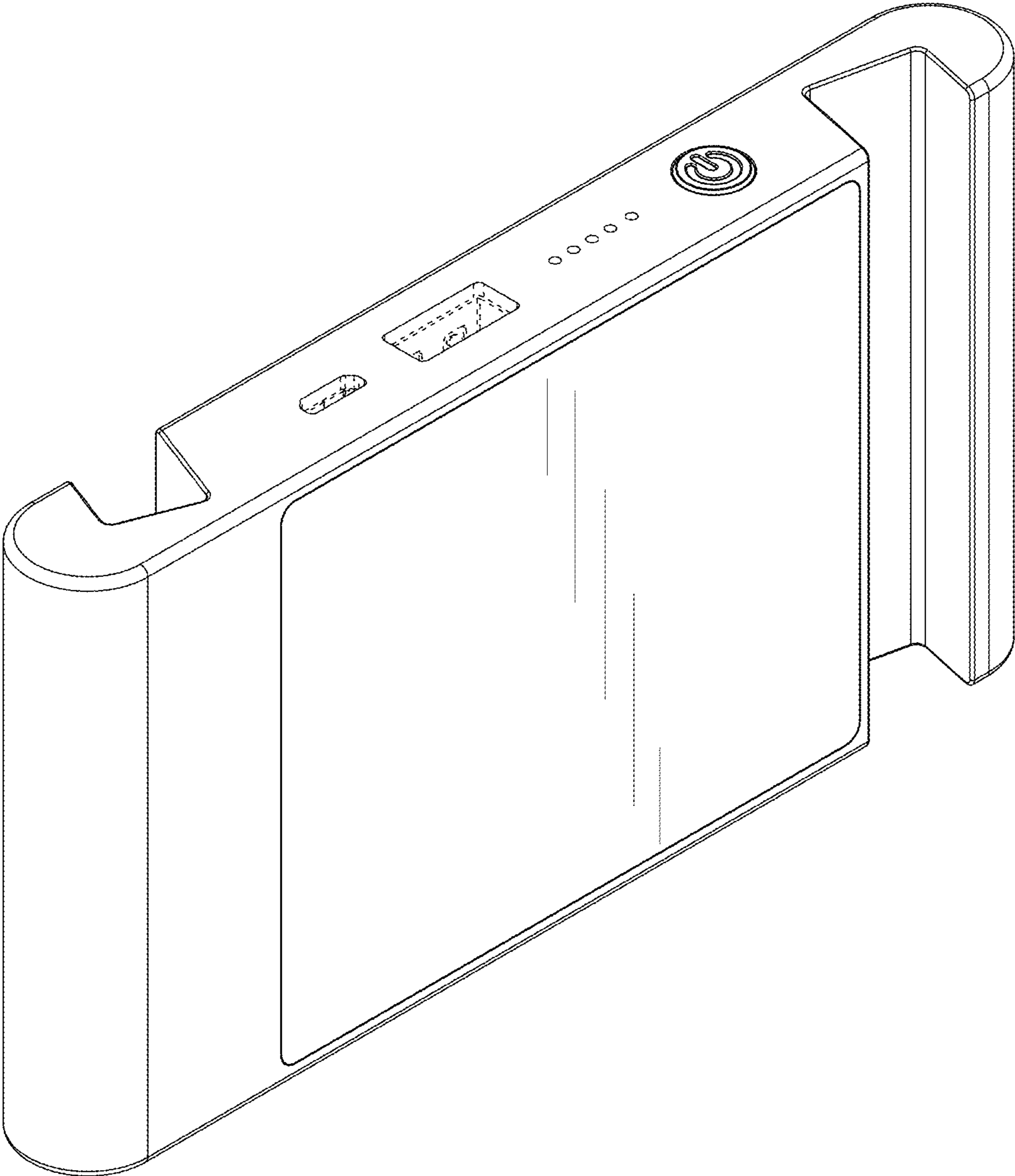


FIG. 2

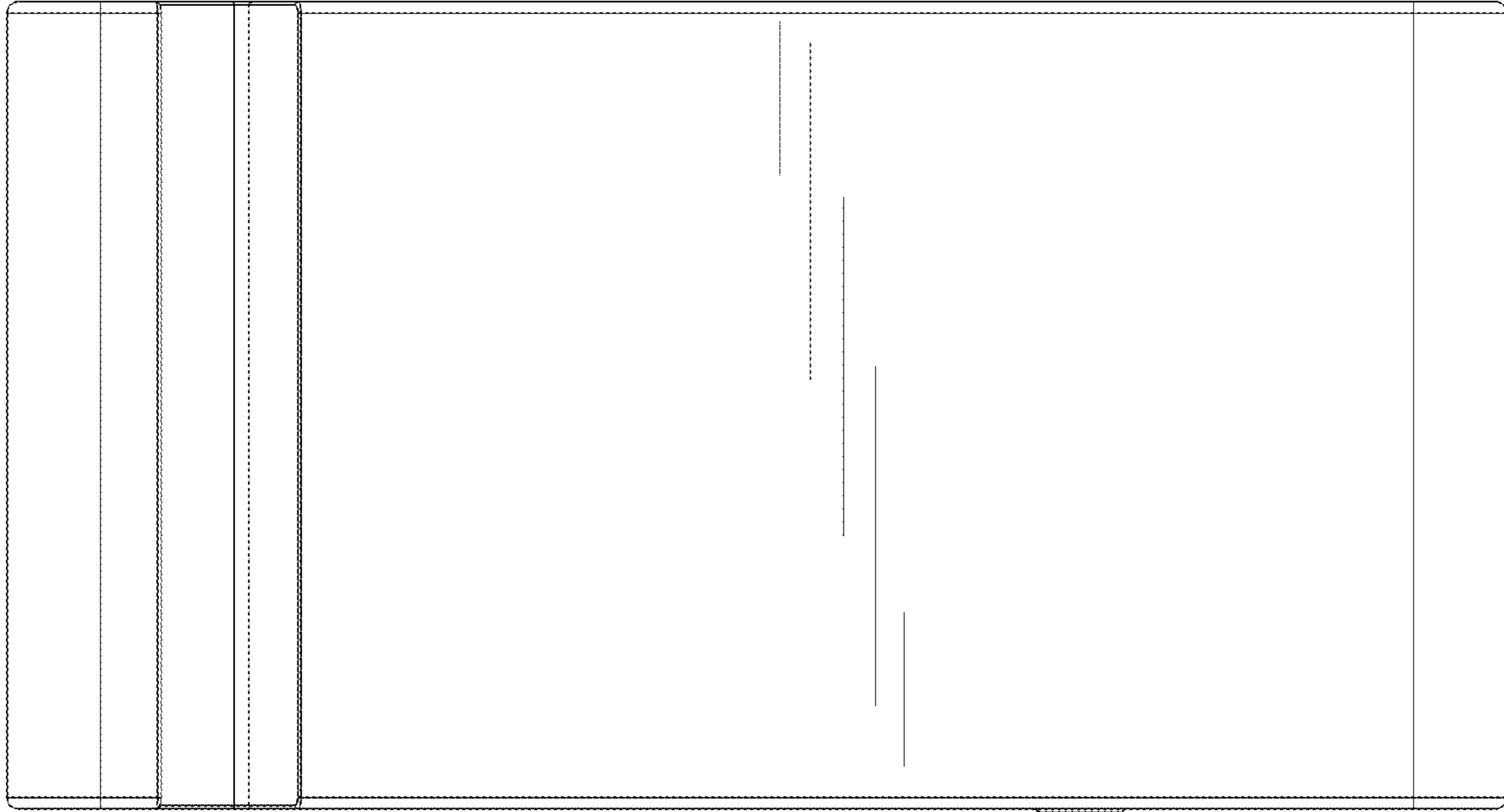


FIG. 3

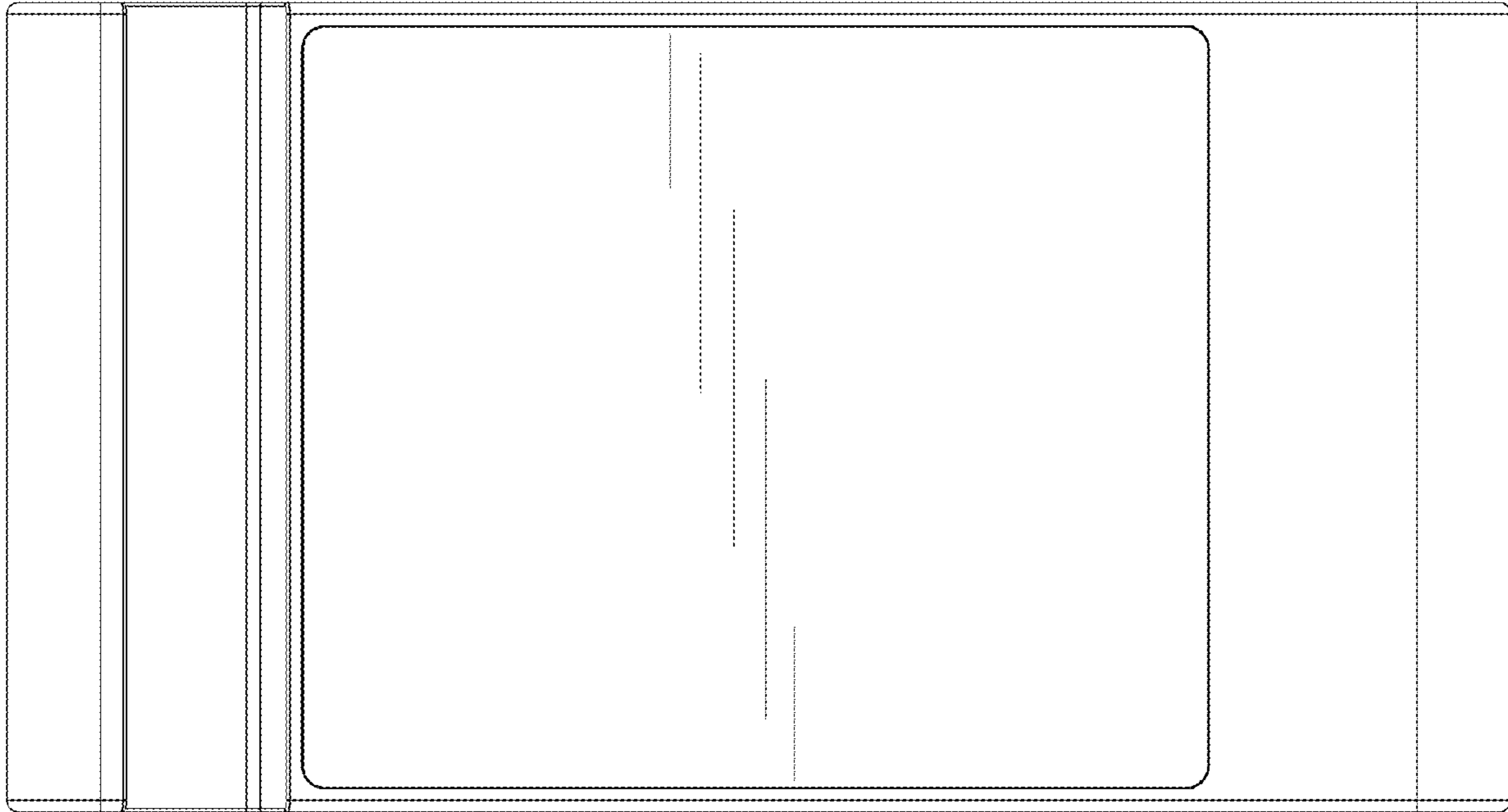


FIG. 4

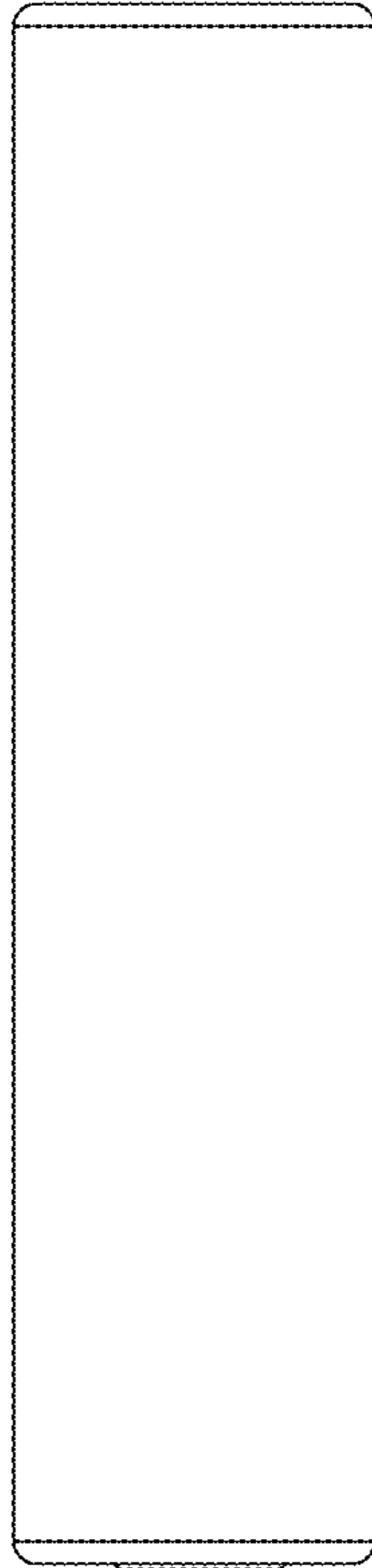


FIG. 5

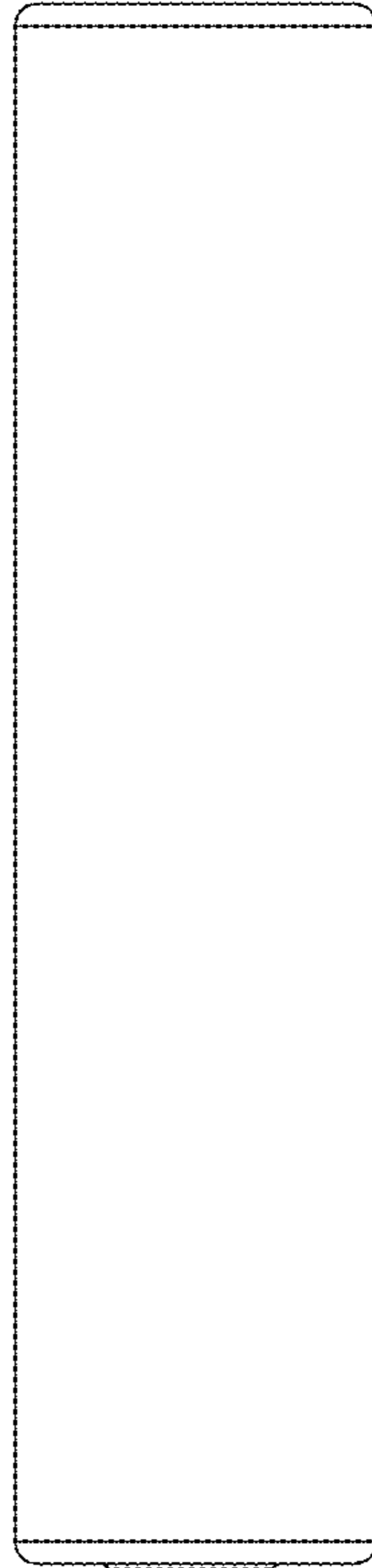


FIG. 6

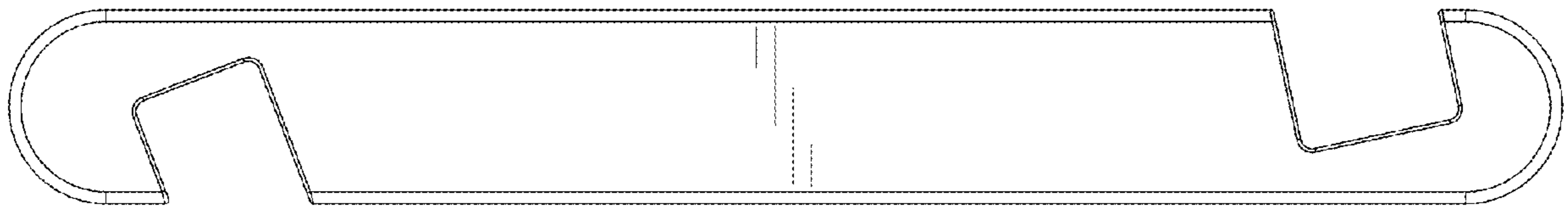


FIG. 7

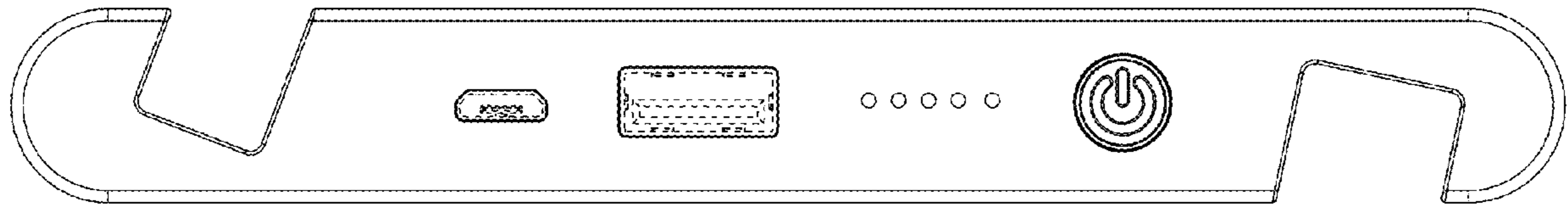


FIG. 8