



US00D956687S

(12) **United States Design Patent**
Huang

(10) **Patent No.:** **US D956,687 S**

(45) **Date of Patent:** **** Jul. 5, 2022**

(54) **BATTERY CHARGER**

(71) Applicant: **Shenzhen Lepower Electronic Co., Ltd.**, Shenzhen (CN)

(72) Inventor: **Yongping Huang**, Guangdong (CN)

(73) Assignee: **SHENZHEN LEPOWER ELECTRONIC CO., LTD.**, Shenzhen (CN)

(*) Notice: Patent file contains an affidavit/declaration under 37 CFR 1.130(b).

(**) Term: **15 Years**

(21) Appl. No.: **29/759,587**

(22) Filed: **Nov. 24, 2020**

(51) **LOC (13) Cl.** **13-02**

(52) **U.S. Cl.**
USPC **D13/107**

(58) **Field of Classification Search**
USPC D13/102–110, 118, 119, 184, 199;
D14/251, 253, 432, 434, 250
CPC H01M 10/44; H01M 10/46; H01M 10/465;
H01M 10/482; H01M 10/4257; H01M
10/0436; H01M 10/48; H01M 2200/30;
H01M 2250/30; H01M 2250/40; Y02T
10/7005; Y02T 10/705; Y02T 10/7088;
Y02E 60/10; Y02E 60/12; Y02E 60/122;
Y02E 60/124; Y02E 60/50; H02J 7/00;
H02J 7/0003; H02J 7/0011; H02J 7/0013;
H02J 7/0054; H02J 7/0055; H02J 7/0057;
H02J 7/0034; H02J 7/1423; H02J
2001/006

See application file for complete search history.

(56) **References Cited**

U.S. PATENT DOCUMENTS

D571,722 S * 6/2008 Kang D13/107
D573,088 S * 7/2008 Castellucci D13/107

D599,287 S * 9/2009 Kingston D13/107
D599,735 S * 9/2009 Amidei D13/107
D623,130 S * 9/2010 Kawakami D13/107
D667,785 S * 9/2012 Ueda D13/107
D676,806 S * 2/2013 Baker D13/107
D687,770 S * 8/2013 Rabalais D13/107
D694,177 S * 11/2013 Bennett D13/107
D694,178 S * 11/2013 Bennett D13/107
D694,705 S * 12/2013 Kingston D13/107
D792,844 S * 7/2017 Liu D13/107
D808,899 S * 1/2018 Li D13/107

(Continued)

OTHER PUBLICATIONS

Amazon.com: EBL 12+2 Bay LCD Rechargeable Battery Charger . . . Date first available of Sep. 10, 2020. Retrieved from the internet at <<https://www.amazon.com/EBL-Rechargeable-Battery-Charger-Batteries/dp/B08HRZJ2BY/>>, Dec. 2, 2021. 1 page. (Year: 2020).*

Primary Examiner — Christy Nemeth

(74) *Attorney, Agent, or Firm* — Tucker Ellis LLP;
Heather M. Barnes

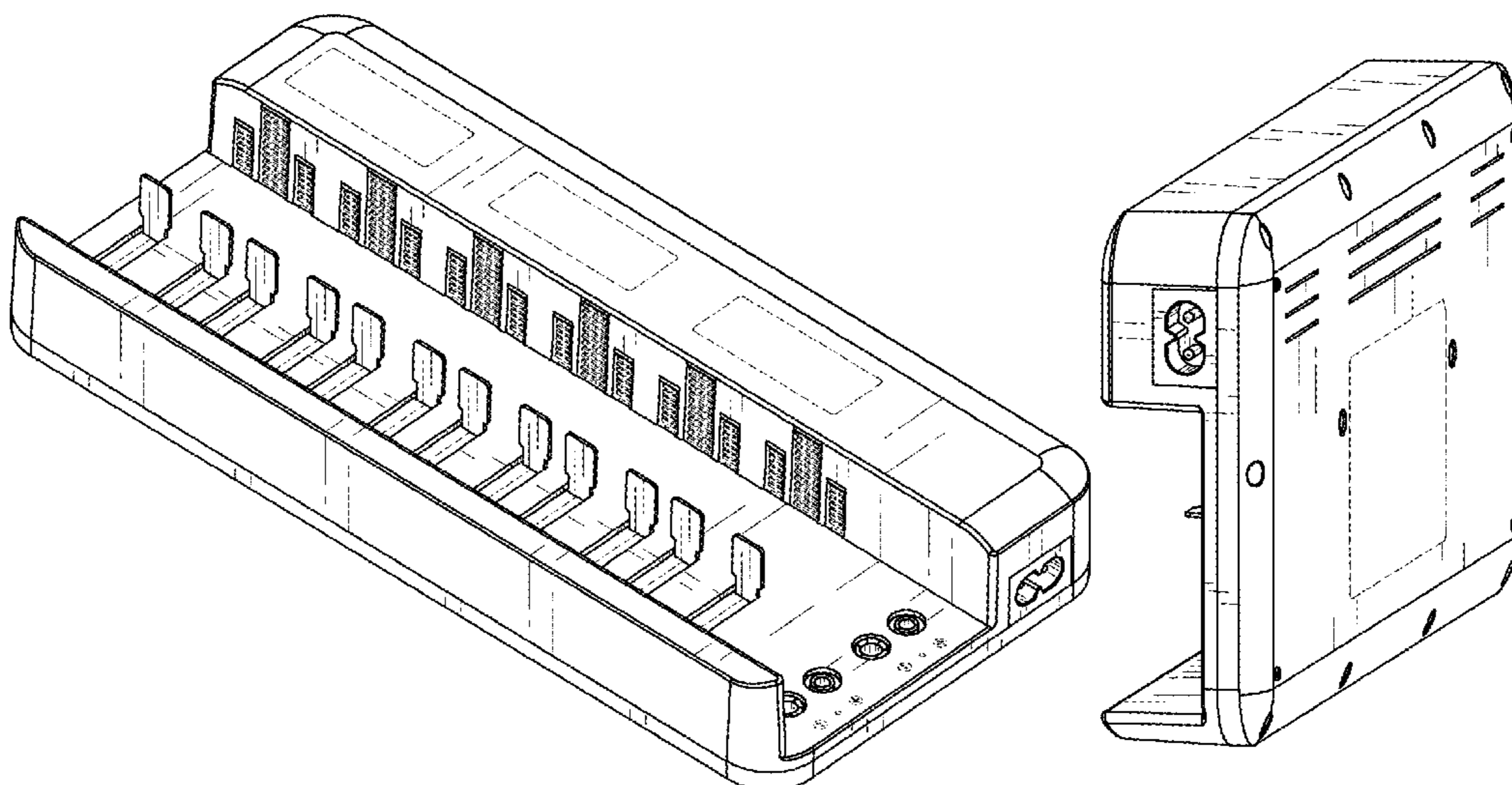
(57) **CLAIM**

The ornamental design for a battery charger, as shown and described.

DESCRIPTION

FIG. 1 is a front perspective view of a battery charger of the present invention;
FIG. 2 is a rear perspective view thereof;
FIG. 3 is a front elevational view thereof;
FIG. 4 is a rear elevational view thereof;
FIG. 5 is a left-side elevational view thereof;
FIG. 6 is a right-side elevational view thereof;
FIG. 7 is a top plan view thereof; and,
FIG. 8 is a bottom plan view thereof.
The broken lines shown in the drawings are for the purpose of illustrating portions of the battery charger that form no part of the claimed design.

1 Claim, 8 Drawing Sheets



(56)

References Cited

U.S. PATENT DOCUMENTS

D808,900 S *	1/2018	Li	D13/107
D810,012 S *	2/2018	Li	D13/107
D816,023 S *	4/2018	Price	D13/107
D817,871 S *	5/2018	Li	D13/107
D905,628 S *	12/2020	Yi	D13/107
D911,272 S *	2/2021	Xu	D13/107
D935,997 S *	11/2021	Huang	D13/107

* cited by examiner

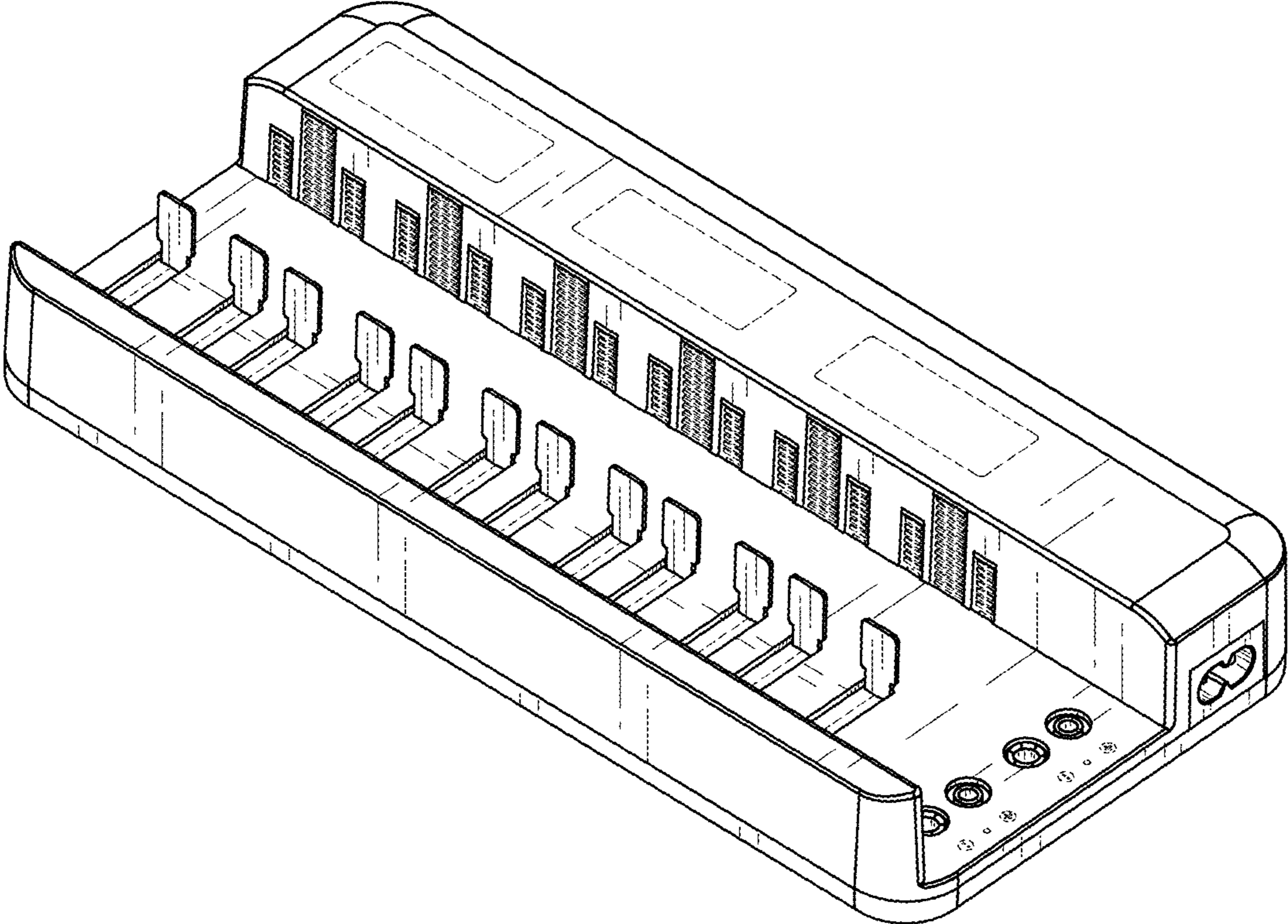


FIG. 1

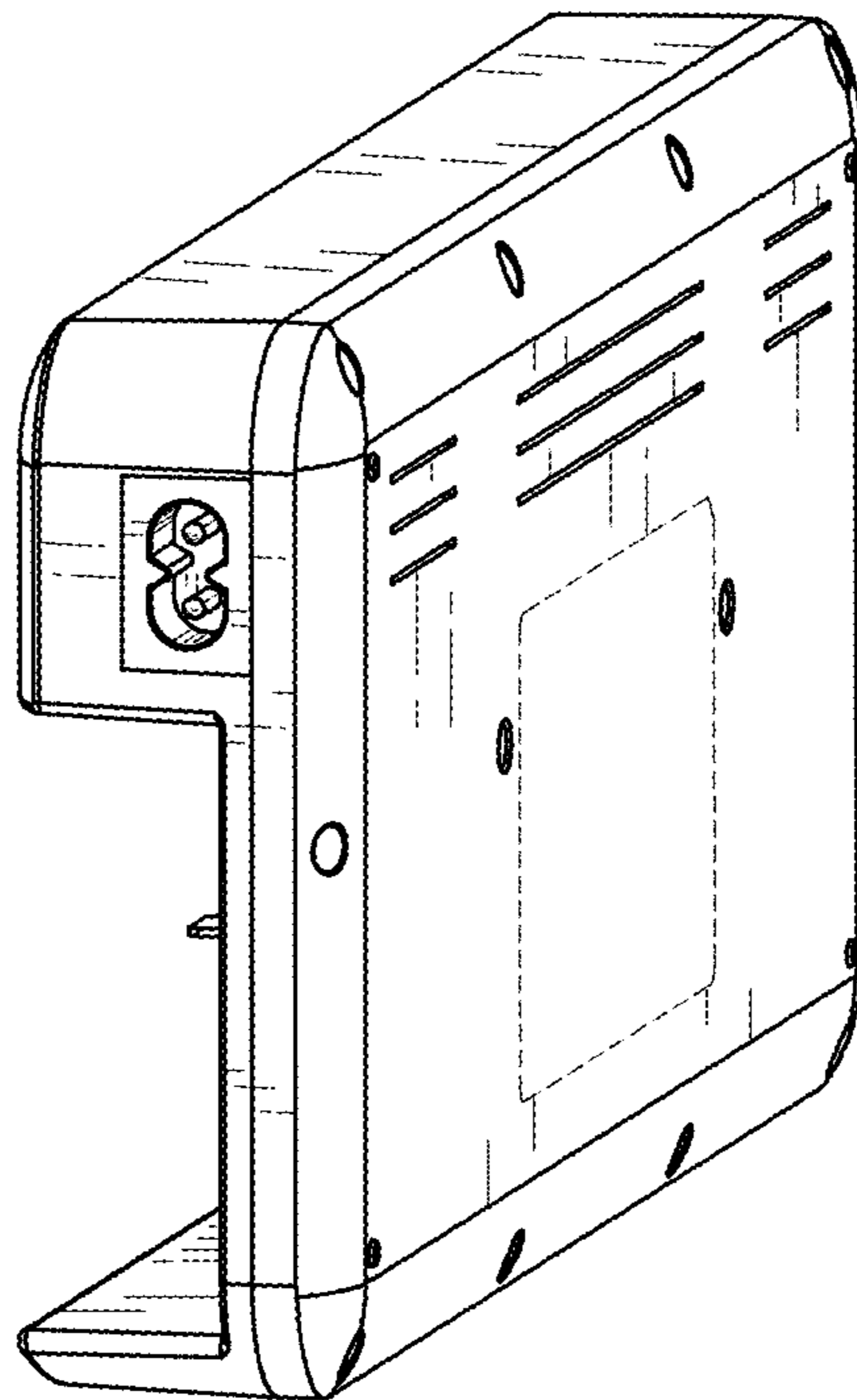


FIG. 2

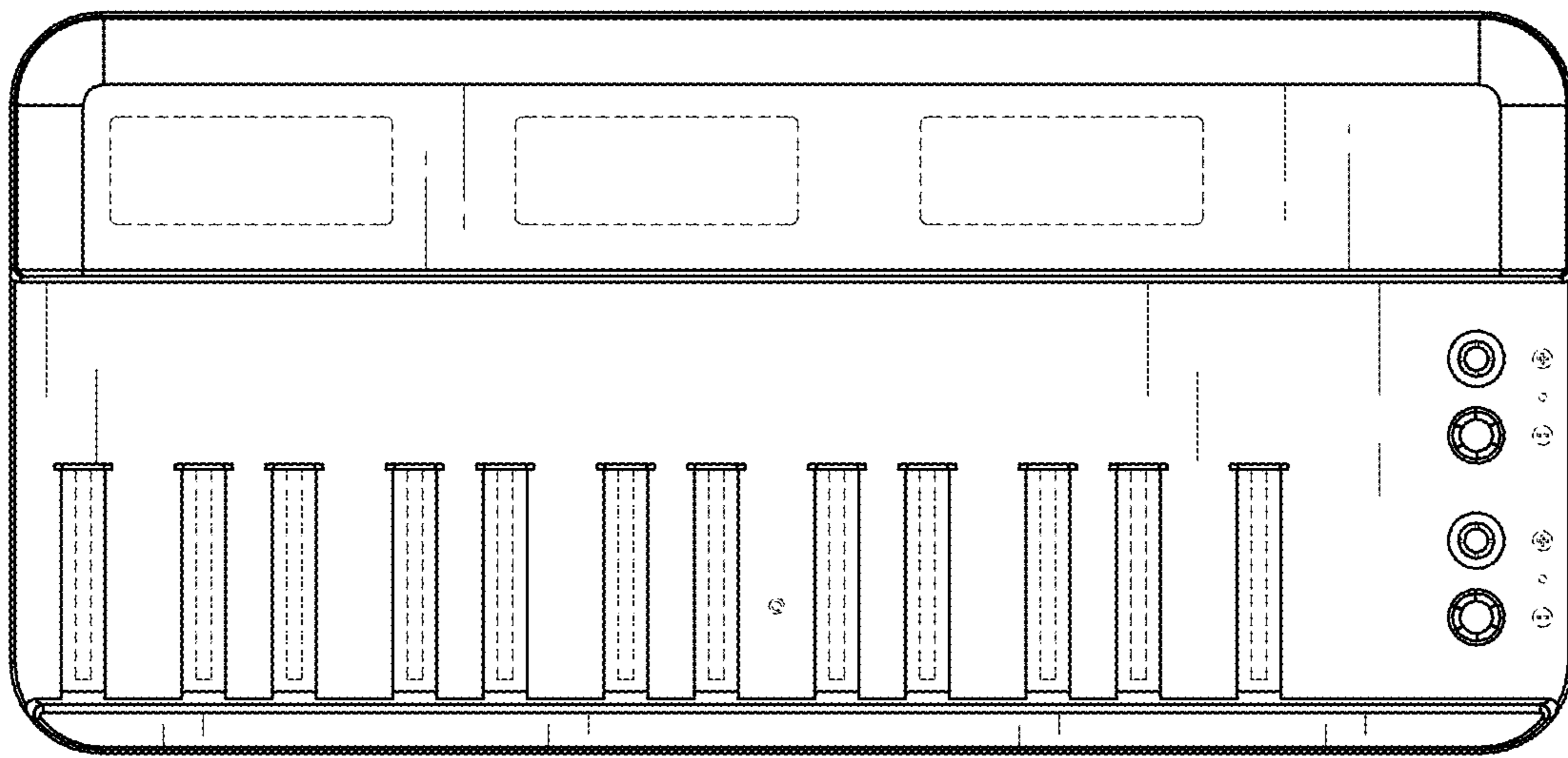


FIG. 3

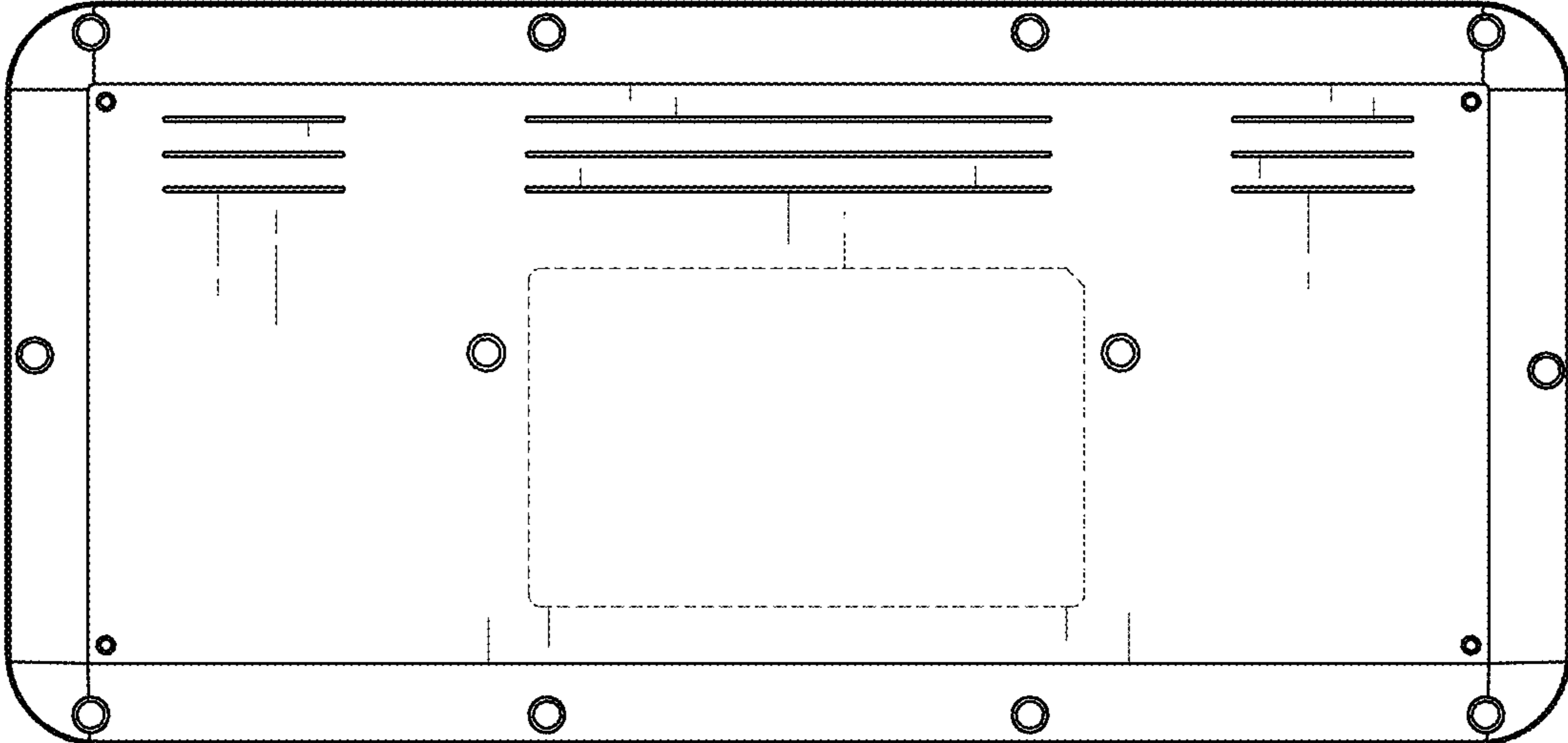


FIG. 4

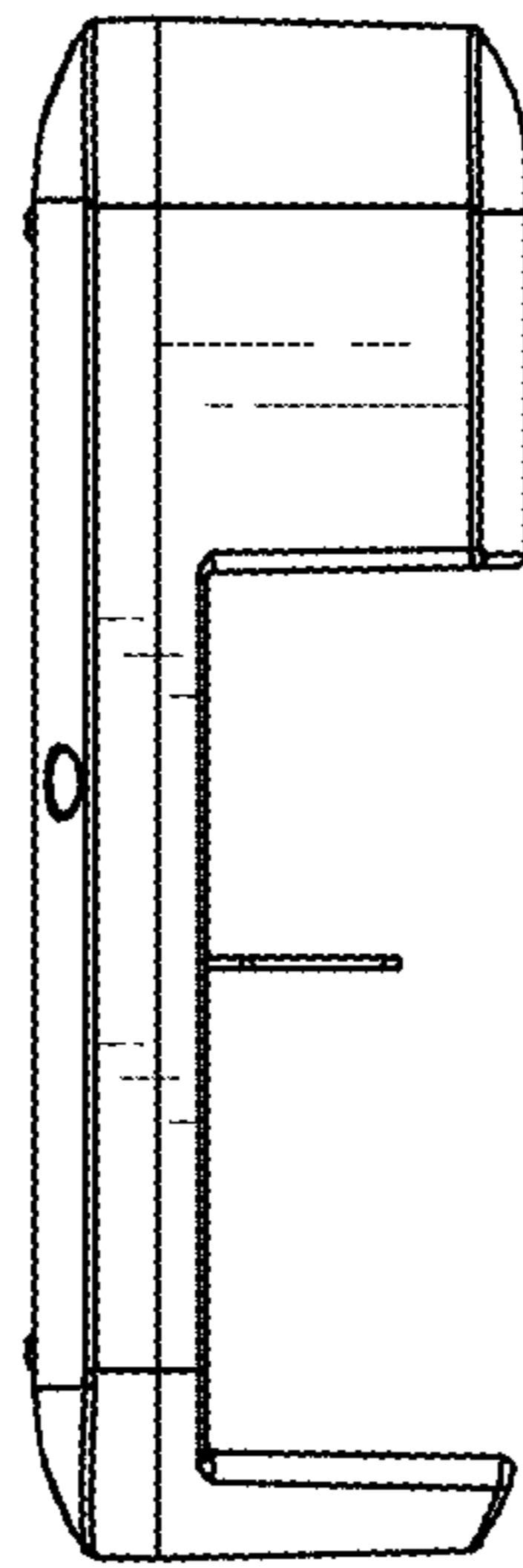


FIG. 5

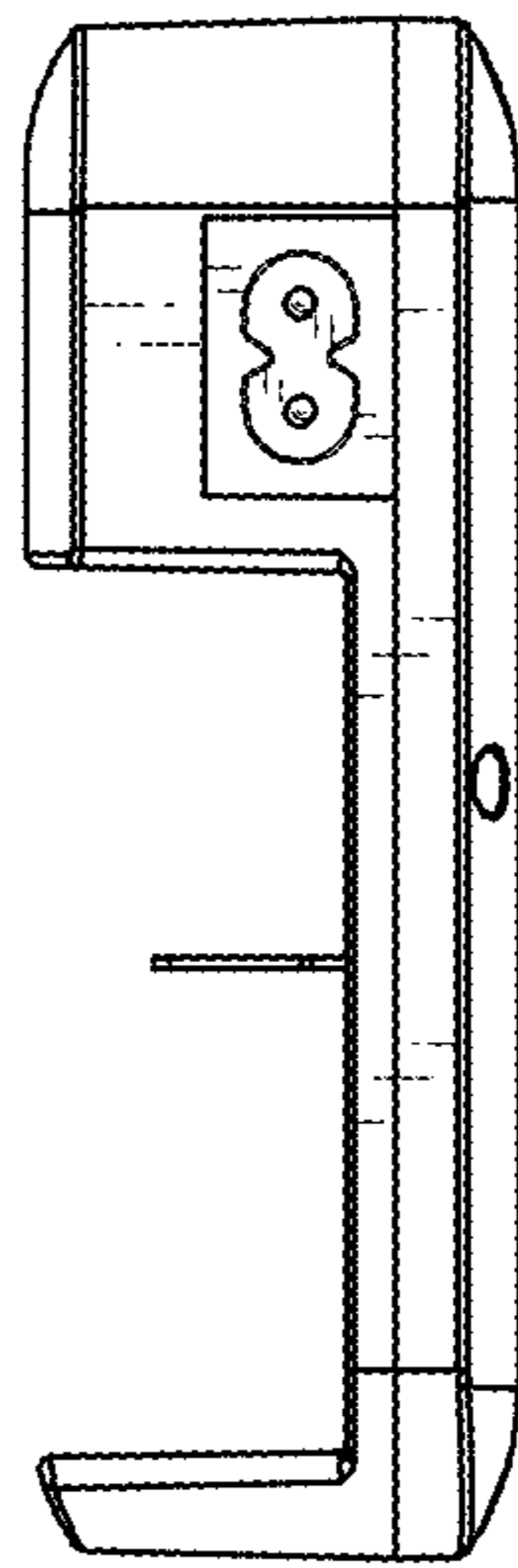


FIG. 6

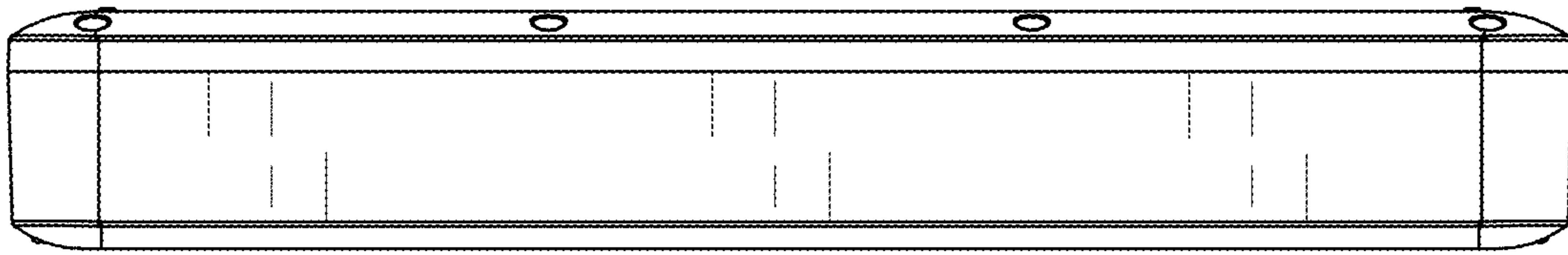


FIG. 7

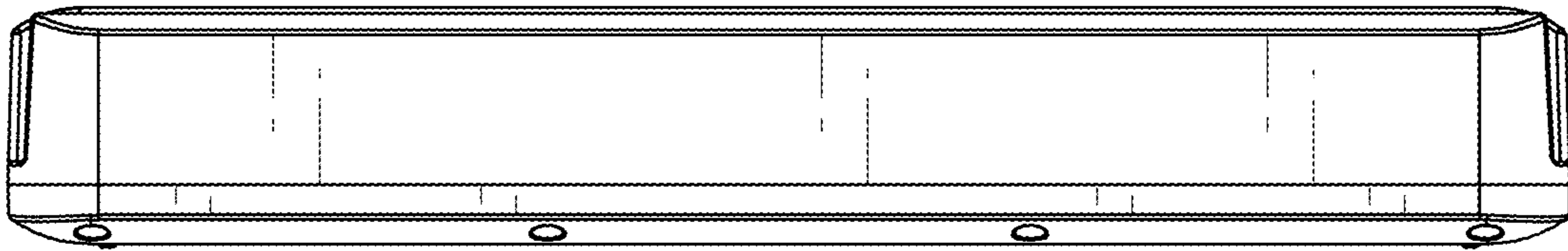


FIG. 8