



US00D956685S

(12) **United States Design Patent**  
**Cohen et al.**

(10) **Patent No.:** **US D956,685 S**  
(45) **Date of Patent:** **\*\* Jul. 5, 2022**

(54) **BATTERY FOR AN ELECTRONIC DEVICE**

(56) **References Cited**

(71) Applicant: **Apple Inc.**, Cupertino, CA (US)  
(72) Inventors: **Sawyer Isaac Cohen**, Menlo Park, CA (US); **Richard Hung Minh Dinh**, Saratoga, CA (US); **Bryan D. Keen**, San Francisco, CA (US); **Shayan Malek**, San Jose, CA (US); **Devon A. Monaco**, San Jose, CA (US)

U.S. PATENT DOCUMENTS

D337,984 S	8/1993	Lindahl	
D479,192 S	9/2003	Fujihara et al.	
6,884,540 B2	4/2005	Chikada	
D546,277 S	7/2007	Andre et al.	
D548,738 S *	8/2007	Doyle	D14/432
7,871,720 B2	1/2011	Myers et al.	
8,309,245 B2 *	11/2012	Coish	H01M 50/20 429/100
D677,620 S	3/2013	Corbin et al.	
D682,786 S *	5/2013	Takuma	D13/119
D684,530 S	6/2013	Moon et al.	
D684,531 S	6/2013	Moon et al.	
D689,018 S	9/2013	Honda et al.	
D693,292 S *	11/2013	Salvi	D13/103
D700,135 S *	2/2014	Sato	D13/103

(73) Assignee: **Apple Inc.**, Cupertino, CA (US)

(\*\*) Term: **15 Years**

(21) Appl. No.: **29/764,040**

(22) Filed: **Dec. 28, 2020**

(Continued)

*Primary Examiner* — Nathaniel D. Buckner

(74) *Attorney, Agent, or Firm* — Sterne, Kessler, Goldstein & Fox P.L.L.C.

**Related U.S. Application Data**

(63) Continuation of application No. 29/660,993, filed on Aug. 23, 2018, now Pat. No. Des. 906,234.

(51) **LOC (13) Cl.** ..... **13-02**

(52) **U.S. Cl.**  
USPC ..... **D13/103**

(58) **Field of Classification Search**

USPC ..... D13/102–104, 106–110, 112, 114, 116, D13/118–123, 130–131, 133, 137.2, D13/137.4, 139.1, 144, 147, 149, 151, D13/153, 154, 156, 158, 159–160, 162, D13/168–169, 175, 177, 184  
CPC . Y02E 60/10; H01M 2220/30; H01M 50/209; H01M 50/213; H01M 50/183; H01M 50/10; H01M 50/529; H01M 50/531; H01M 10/0525; H01M 10/0436; H01M 10/052; H01M 10/0565; H01M 10/30; H01M 10/345; H01M 10/425; H01M 2010/0495; B25F 5/02; B25F 5/00; A61B 2017/00734

See application file for complete search history.

(57) **CLAIM**

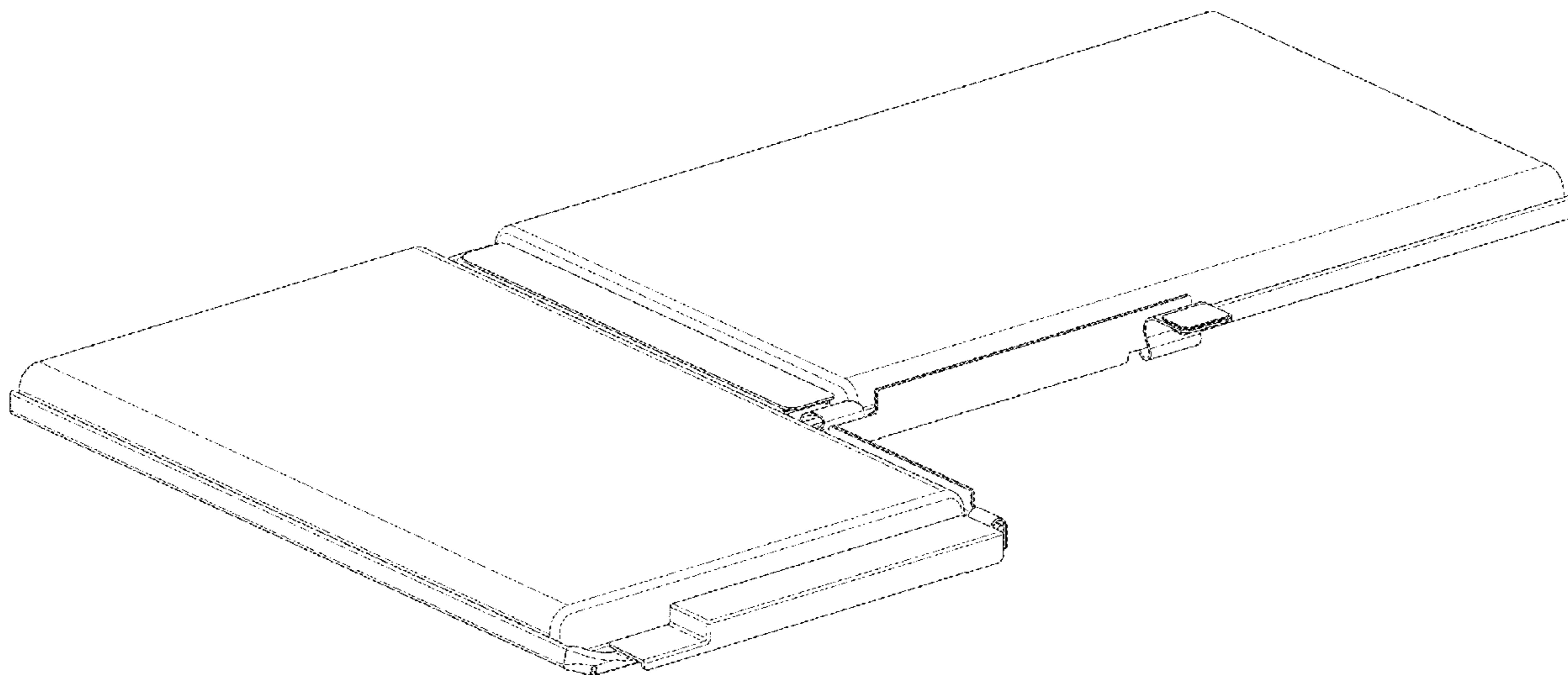
The ornamental design for a battery for an electronic device, as shown and described.

**DESCRIPTION**

FIG. 1 is a bottom front perspective view of a battery for an electronic device showing the claimed design; FIG. 2 is a bottom rear perspective view thereof; FIG. 3 is a front view thereof; FIG. 4 is a rear view thereof; FIG. 5 is a left side view thereof; FIG. 6 is a right side view thereof; FIG. 7 is a top view thereof; and, FIG. 8 is a bottom view thereof.

The broken lines in the figures show portions of the battery for an electronic device that form no part of the claimed design.

**1 Claim, 6 Drawing Sheets**



(56)

**References Cited**

## U.S. PATENT DOCUMENTS

D708,128 S 7/2014 Andre et al.  
D711,311 S \* 8/2014 Corbin ..... D13/103  
D719,085 S 12/2014 Aoyagi et al.  
D719,087 S 12/2014 Bataillou et al.  
D729,805 S 5/2015 Bataillou et al.  
D734,256 S 7/2015 Leidel  
D752,510 S \* 3/2016 Lin ..... D13/103  
D758,961 S 6/2016 Aoyagi et al.  
D763,192 S 8/2016 Tyler et al.  
D765,625 S 9/2016 Akana et al.  
D768,074 S 10/2016 Park et al.  
D768,566 S 10/2016 Andre et al.  
9,711,770 B2 \* 7/2017 Anastas ..... H01M 50/411  
D830,964 S 10/2018 Aoyagi et al.  
D843,933 S 3/2019 Giddings et al.  
D843,934 S 3/2019 Tan et al.  
D852,737 S 7/2019 Andre et al.  
D890,180 S \* 7/2020 Furujiku ..... D14/432  
D906,234 S \* 12/2020 Bigdeli ..... D13/103  
D909,963 S \* 2/2021 Liang ..... D13/103  
D910,545 S \* 2/2021 Dinh ..... D13/103  
2009/0274953 A1 11/2009 Myers et al.  
2013/0143084 A1 6/2013 Kim et al.  
2014/0199575 A1 7/2014 Ryu et al.  
2015/0017514 A1 1/2015 Ahn et al.  
2016/0049696 A1 2/2016 Choi et al.  
2019/0081291 A1 \* 3/2019 Chien ..... H01M 50/209

\* cited by examiner

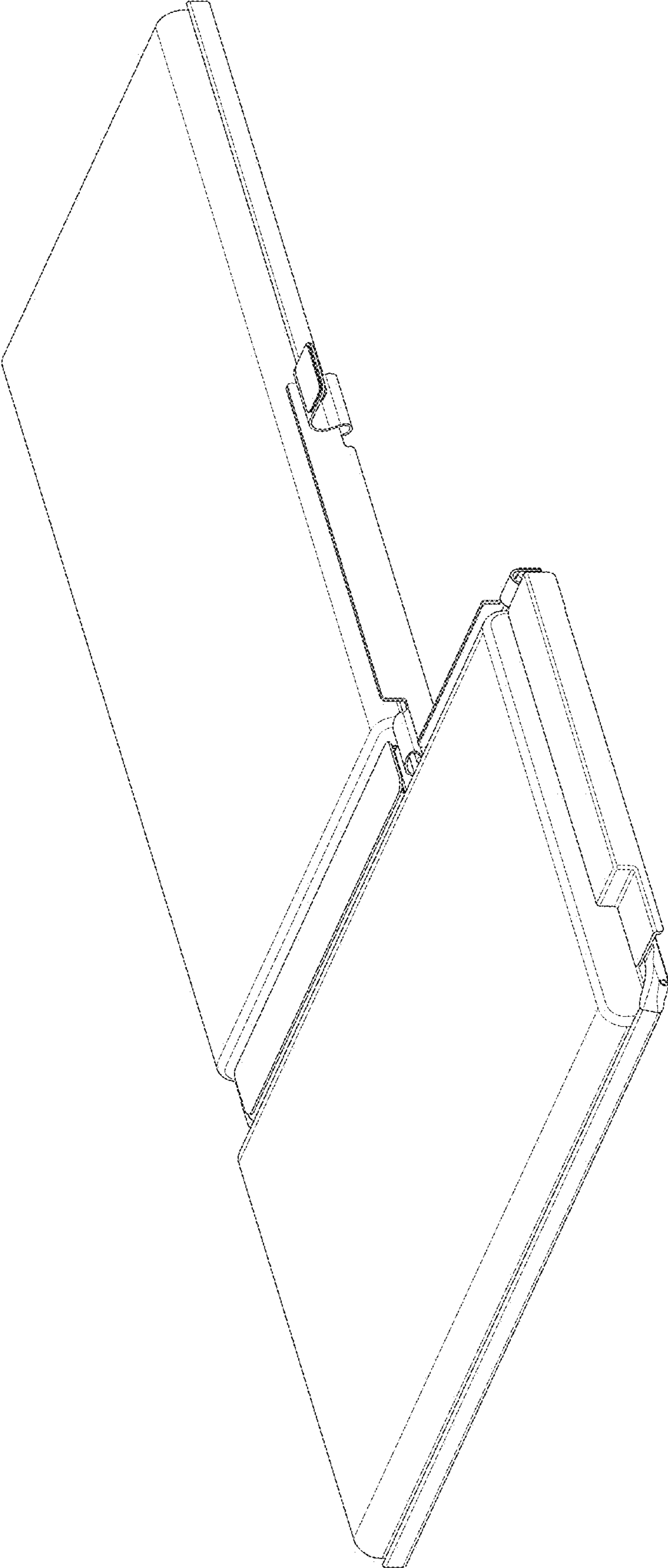


FIG. 1

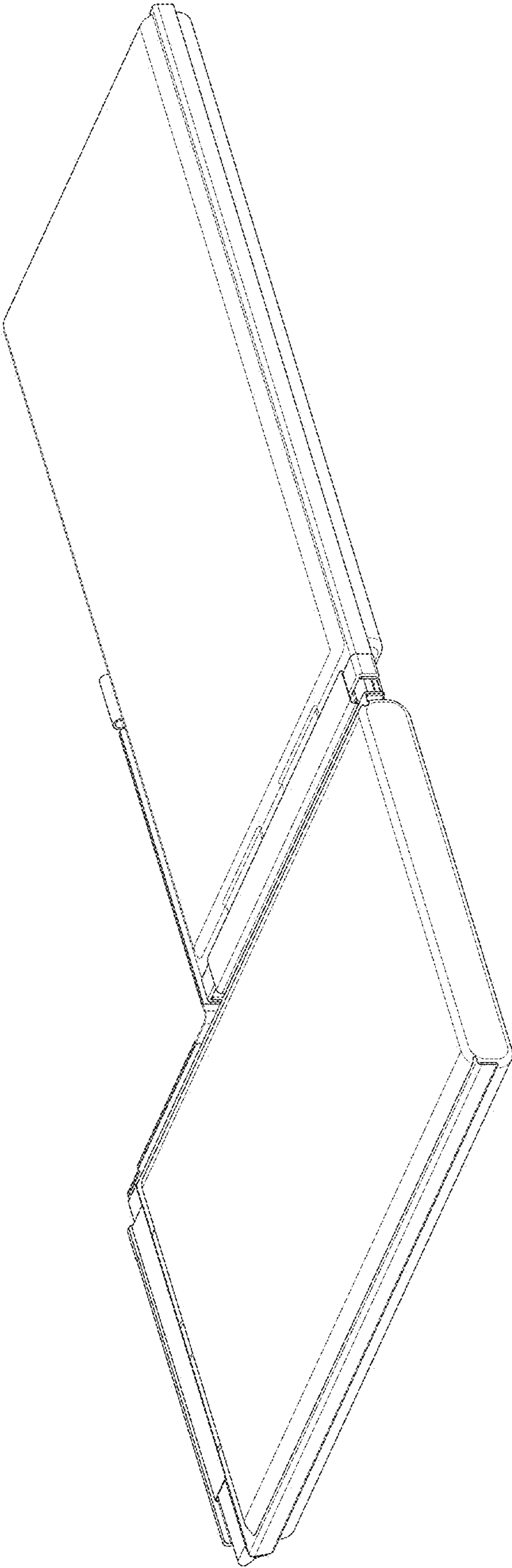


FIG. 2

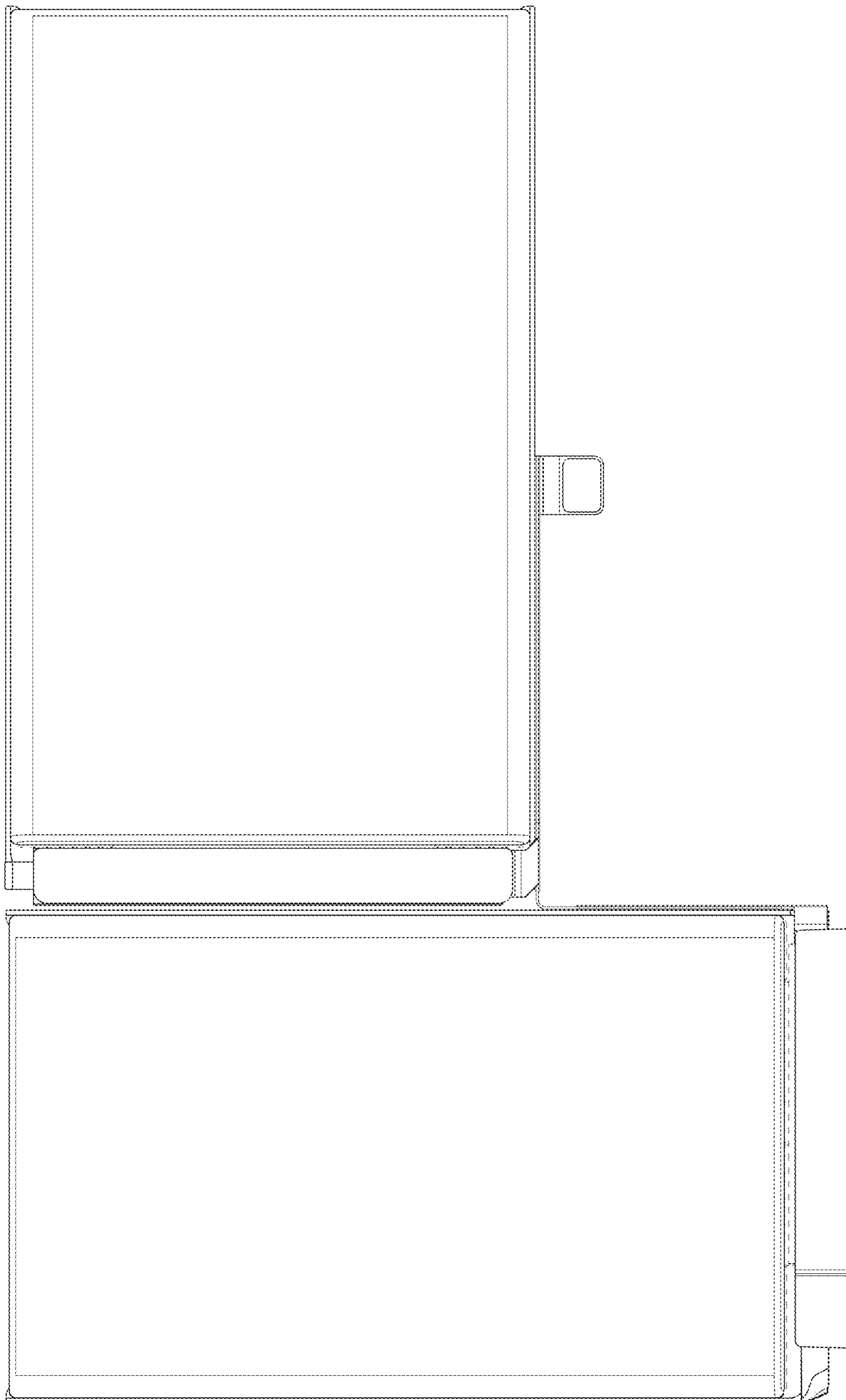


FIG. 3

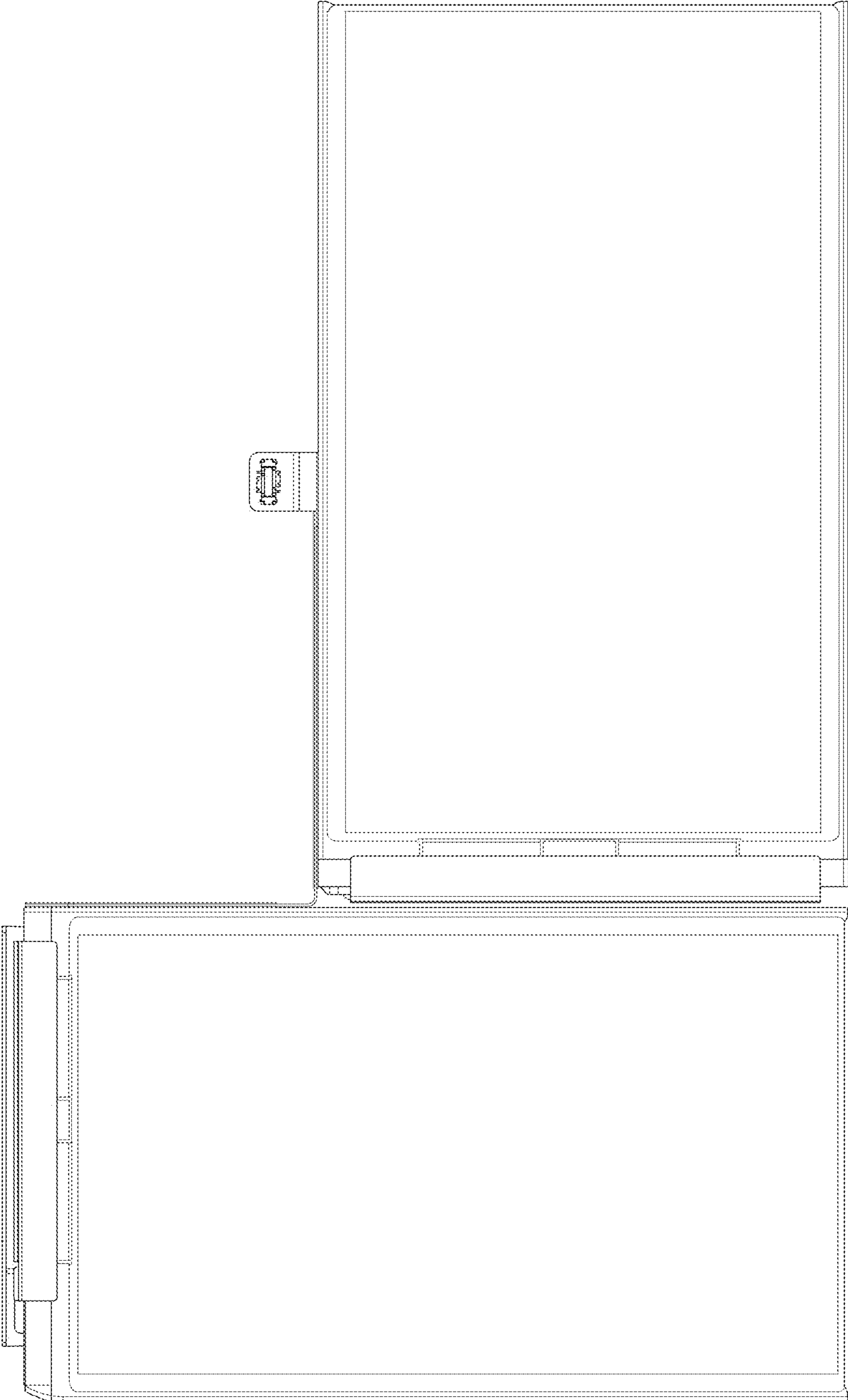


FIG. 4

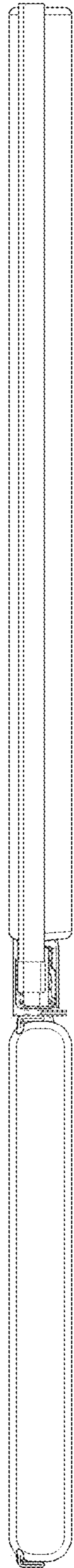


FIG. 5

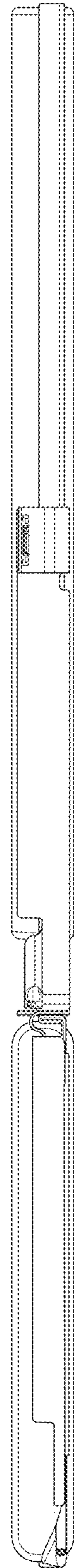
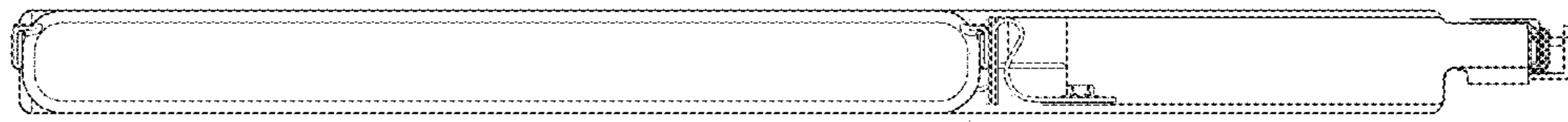
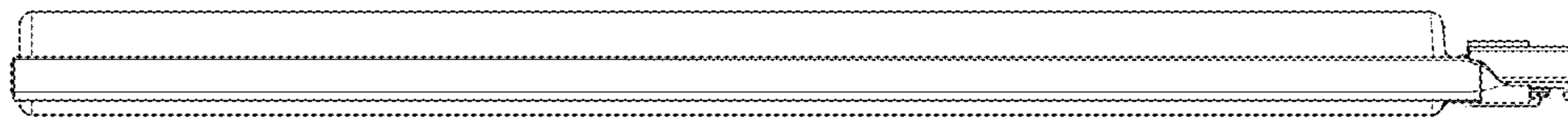


FIG. 6



**FIG. 7**



**FIG. 8**