



US00D956681S

(12) **United States Design Patent**
Elder

(10) **Patent No.:** **US D956,681 S**

(45) **Date of Patent:** **** Jul. 5, 2022**

(54) **BATTERY PACK**

(71) Applicant: **BLACK & DECKER INC.**, New Britain, CT (US)

(72) Inventor: **Christian V. Elder**, Baltimore, MD (US)

(73) Assignee: **Black & Decker Inc.**, New Britain, CT (US)

(**) Term: **15 Years**

(21) Appl. No.: **29/738,613**

(22) Filed: **Jun. 18, 2020**

Related U.S. Application Data

(63) Continuation of application No. 29/643,793, filed on Apr. 11, 2018, now Pat. No. Des. 890,692.

(51) **LOC (13) Cl.** **13-02**

(52) **U.S. Cl.**
USPC **D13/103**

(58) **Field of Classification Search**
USPC D13/102-106, 110, 118-119, 184
CPC . Y02E 60/10; H01M 2220/30; H01M 50/209;
H01M 50/213; H01M 50/183; H01M
50/10; H01M 50/529; H01M 50/531;
H01M 10/0525; H01M 10/0436; H01M
10/052; H01M 10/0565; H01M 10/30;
H01M 10/345; H01M 10/425; H01M
2010/0495; B25F 5/02; B25F 5/00; A61B
2017/00734
See application file for complete search history.

(56) **References Cited**

U.S. PATENT DOCUMENTS

D699,180 S * 2/2014 Sweere D13/103
D710,794 S * 8/2014 Busschaert D13/103
D718,705 S * 12/2014 Naksen D13/103

D765,592 S * 9/2016 Friend D13/103
D770,377 S * 11/2016 Kondo D13/103
D801,916 S * 11/2017 Altenburger D13/103
D801,917 S * 11/2017 Jiang D13/103
D801,918 S * 11/2017 Santurbane D13/103
D810,677 S * 2/2018 Chen D13/103
D818,948 S * 5/2018 Waldron D13/103
D840,333 S * 2/2019 Cooper D13/103
D849,681 S * 5/2019 Howell D13/103
D853,319 S * 7/2019 Nommensen D13/103
D881,119 S * 4/2020 Elder D13/103
D887,969 S * 6/2020 Howell D13/103
D894,118 S * 8/2020 Liu D13/103

(Continued)

Primary Examiner — Nathaniel D. Buckner

(74) *Attorney, Agent, or Firm* — Michael Aronoff

(57) **CLAIM**

The ornamental design for a battery pack, as shown and described.

DESCRIPTION

FIG. 1 is a top, rear, right perspective view of a battery pack showing my new design.

FIG. 2 is a top, rear, left, perspective view thereof;

FIG. 3 is a top, front, left, perspective view thereof;

FIG. 4 is a top, front, right perspective view thereof;

FIG. 5 is a bottom, rear, left perspective view thereof;

FIG. 6 is a bottom, rear, right perspective view thereof;

FIG. 7 is a bottom, front, right perspective view thereof;

FIG. 8 is a bottom, front, left perspective view thereof;

FIG. 9 is a rear elevation view thereof;

FIG. 10 is a front elevation view thereof;

FIG. 11 is a right side elevation view thereof;

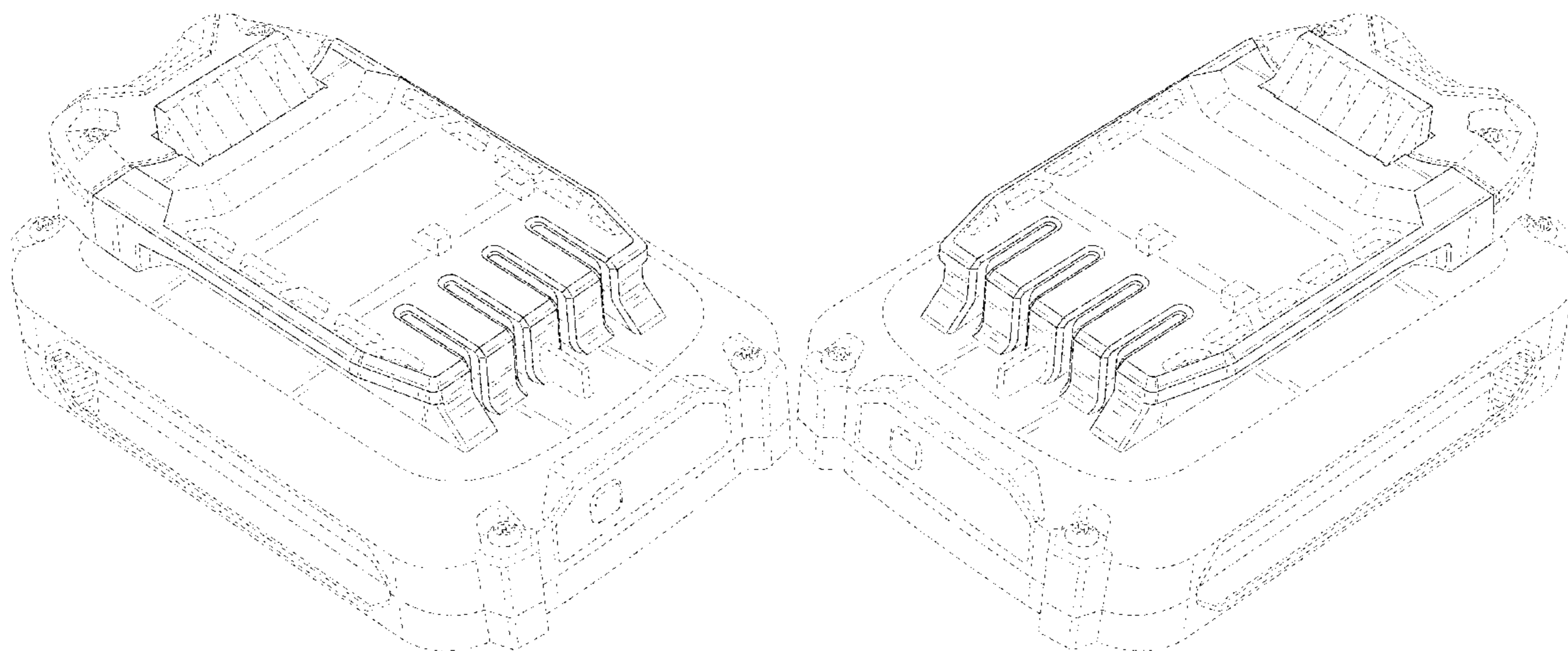
FIG. 12 is a left side elevation view thereof;

FIG. 13 is a top plan view thereof; and,

FIG. 14 is a bottom plan view thereof.

The broken lines present in the figures are included for the purpose of illustrating portions of the article that form no part of the claimed design.

1 Claim, 14 Drawing Sheets



(56)

References Cited

U.S. PATENT DOCUMENTS

D894,827 S	*	9/2020	Watson	D13/103
D911,267 S	*	2/2021	Matteo	D13/103
D925,442 S	*	7/2021	Howell	D13/103

* cited by examiner

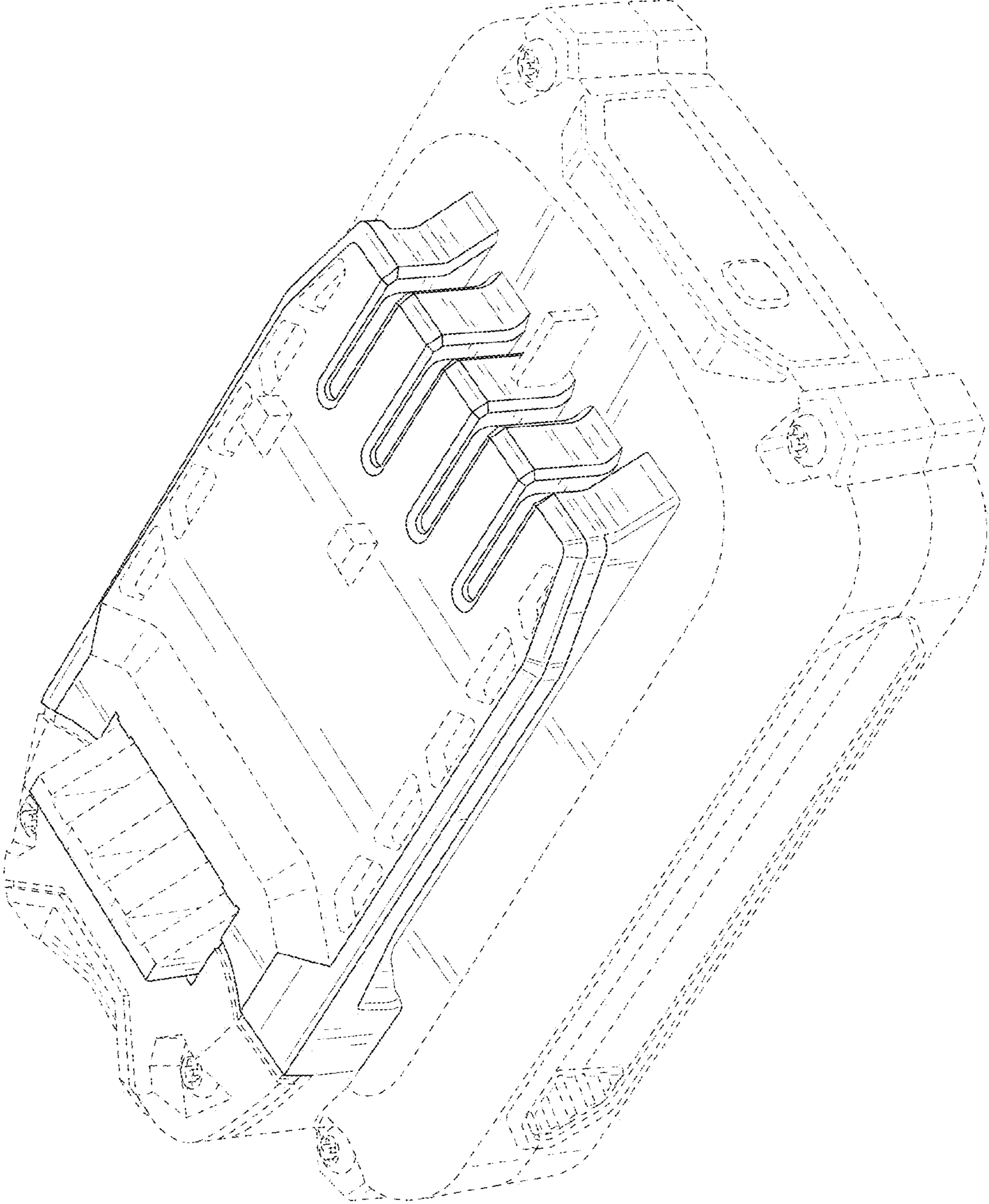


FIG. 1

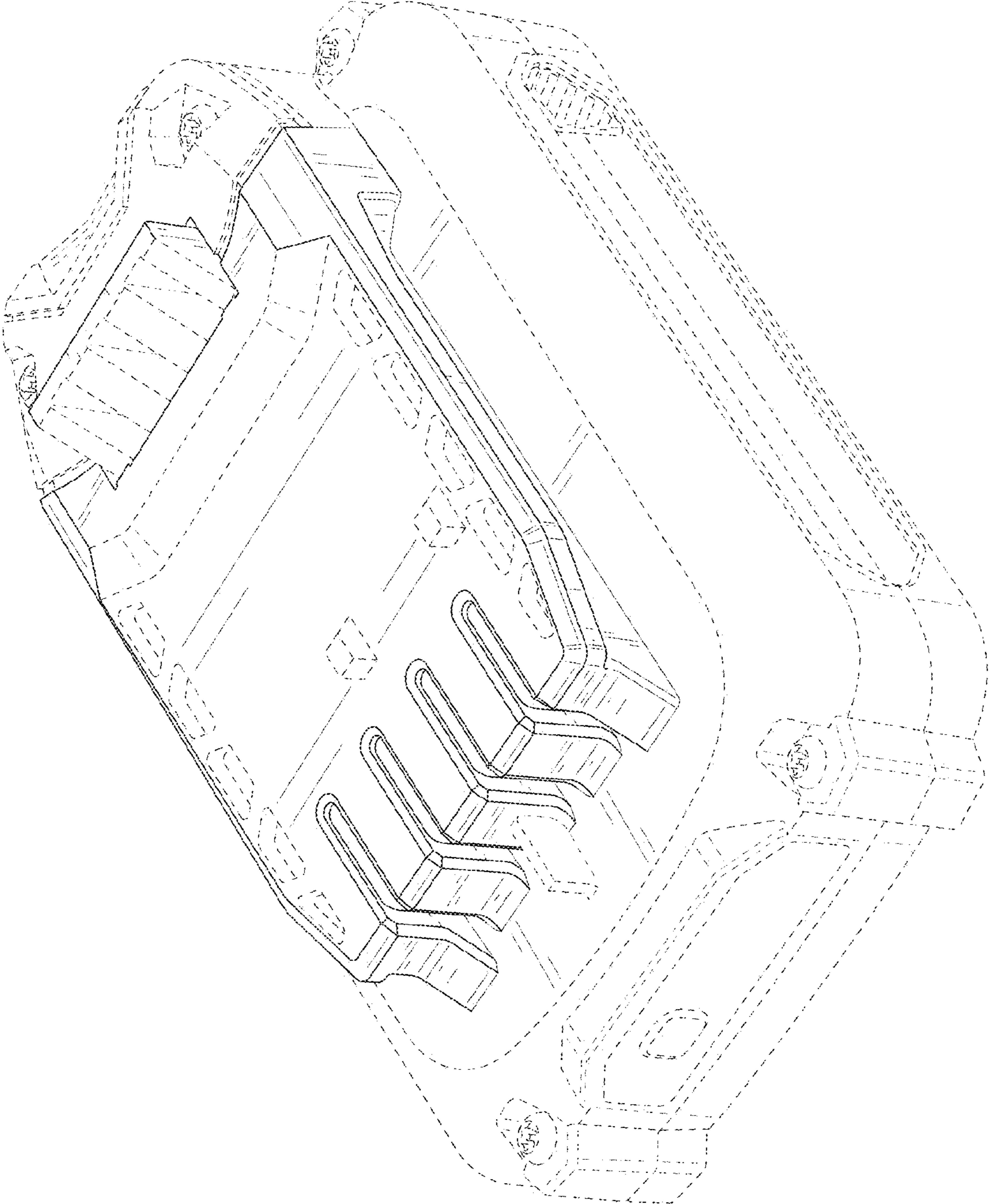


FIG. 2

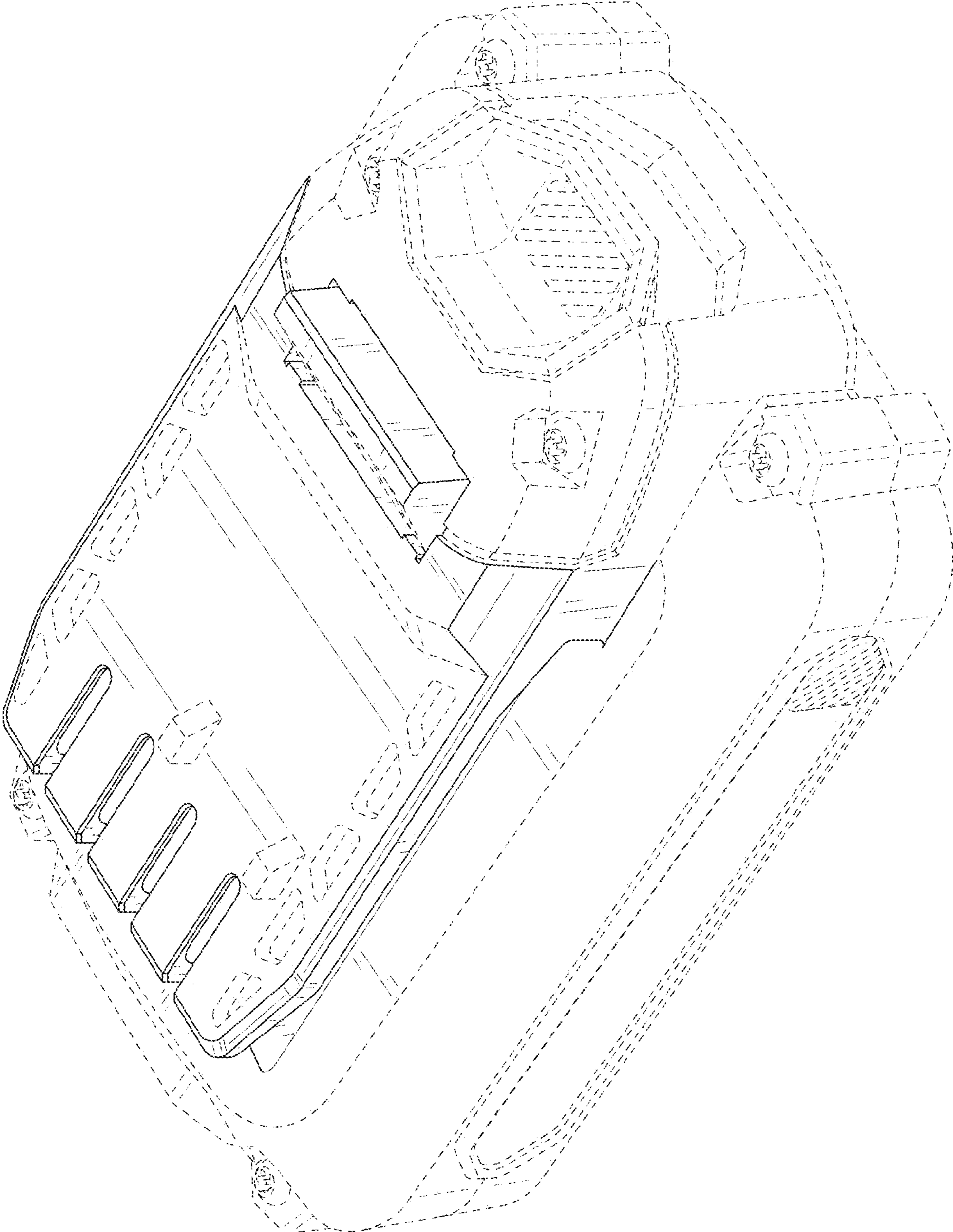


FIG. 3

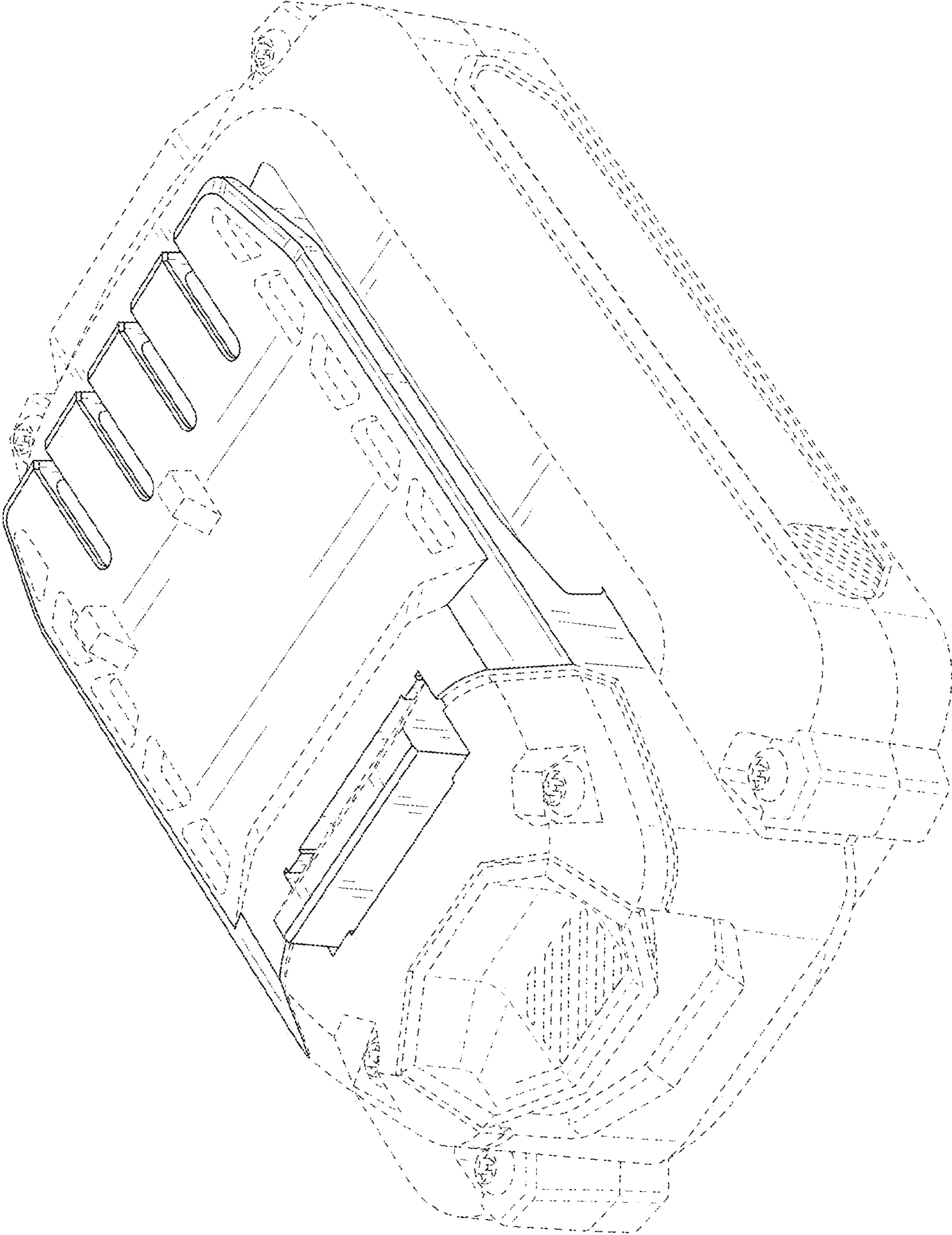


FIG. 4

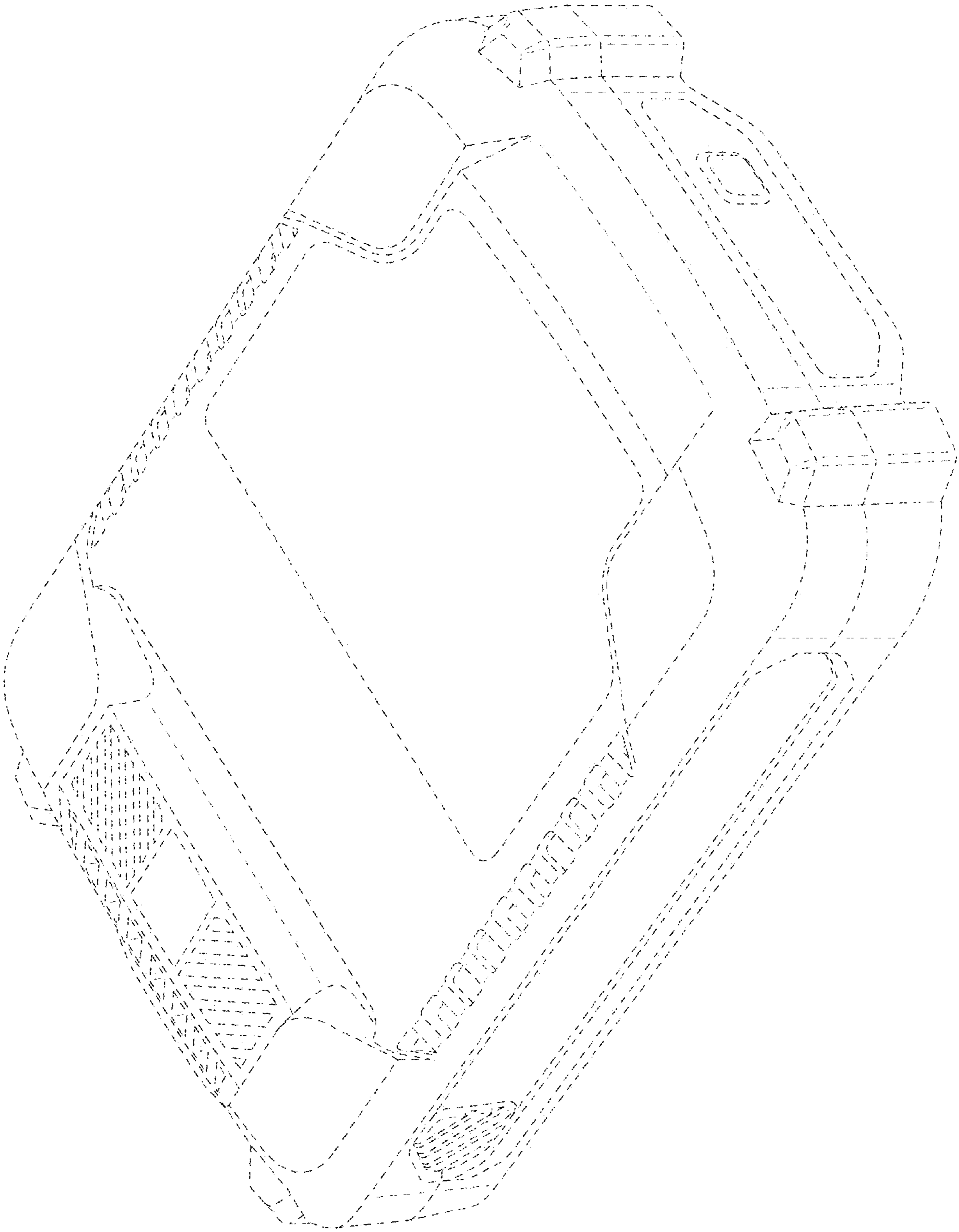


FIG. 5

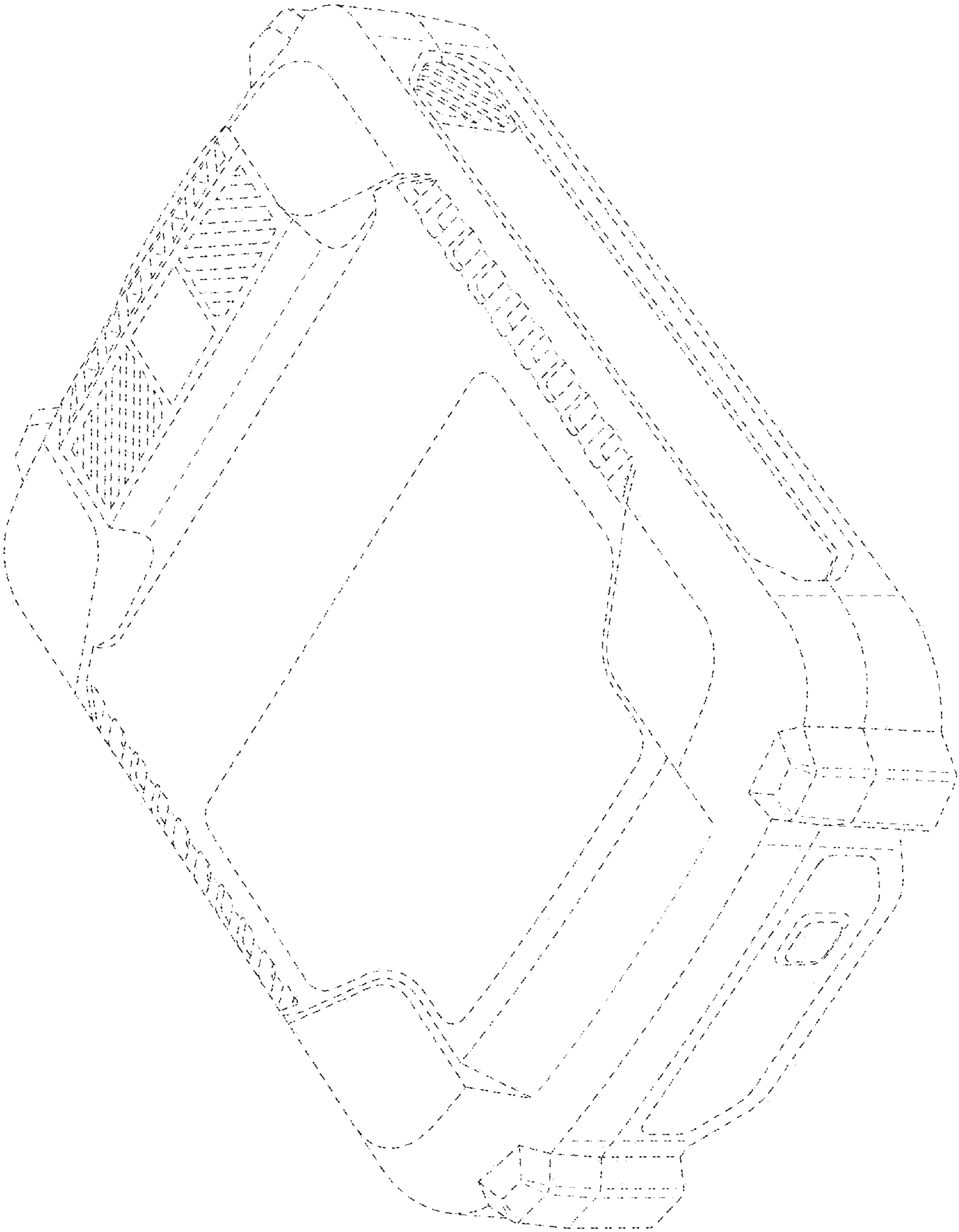


FIG. 6

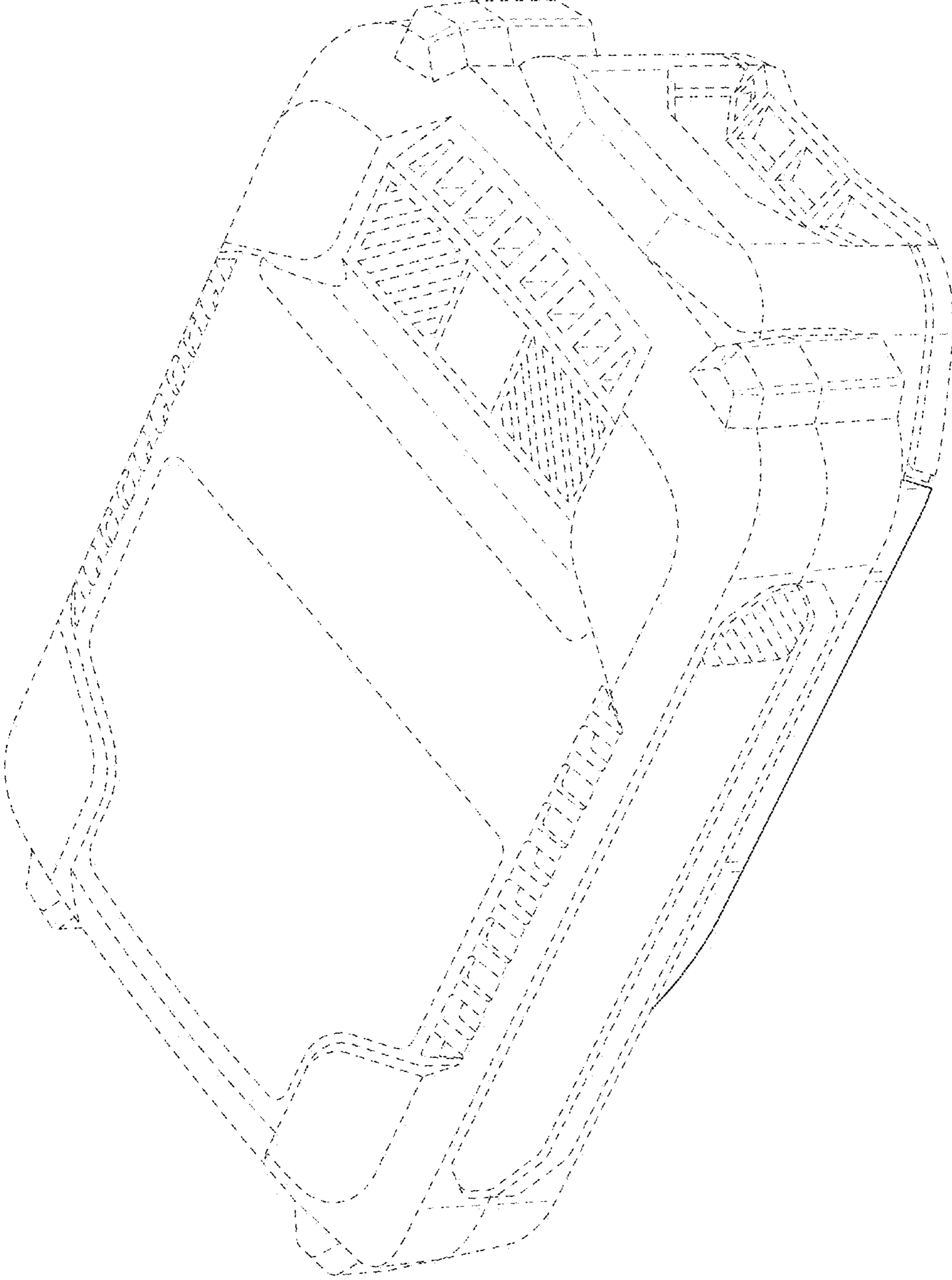


FIG. 7

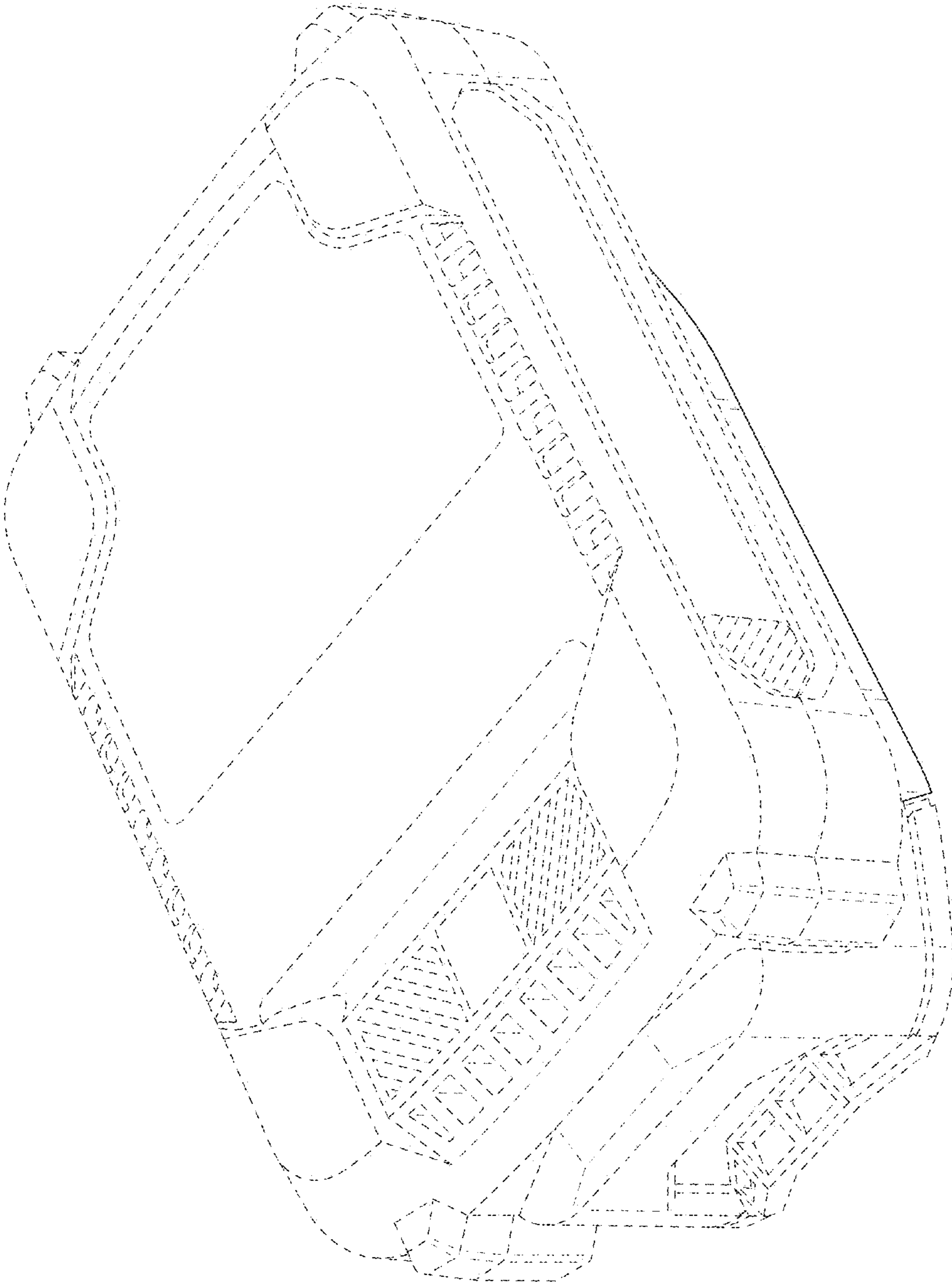


FIG. 8

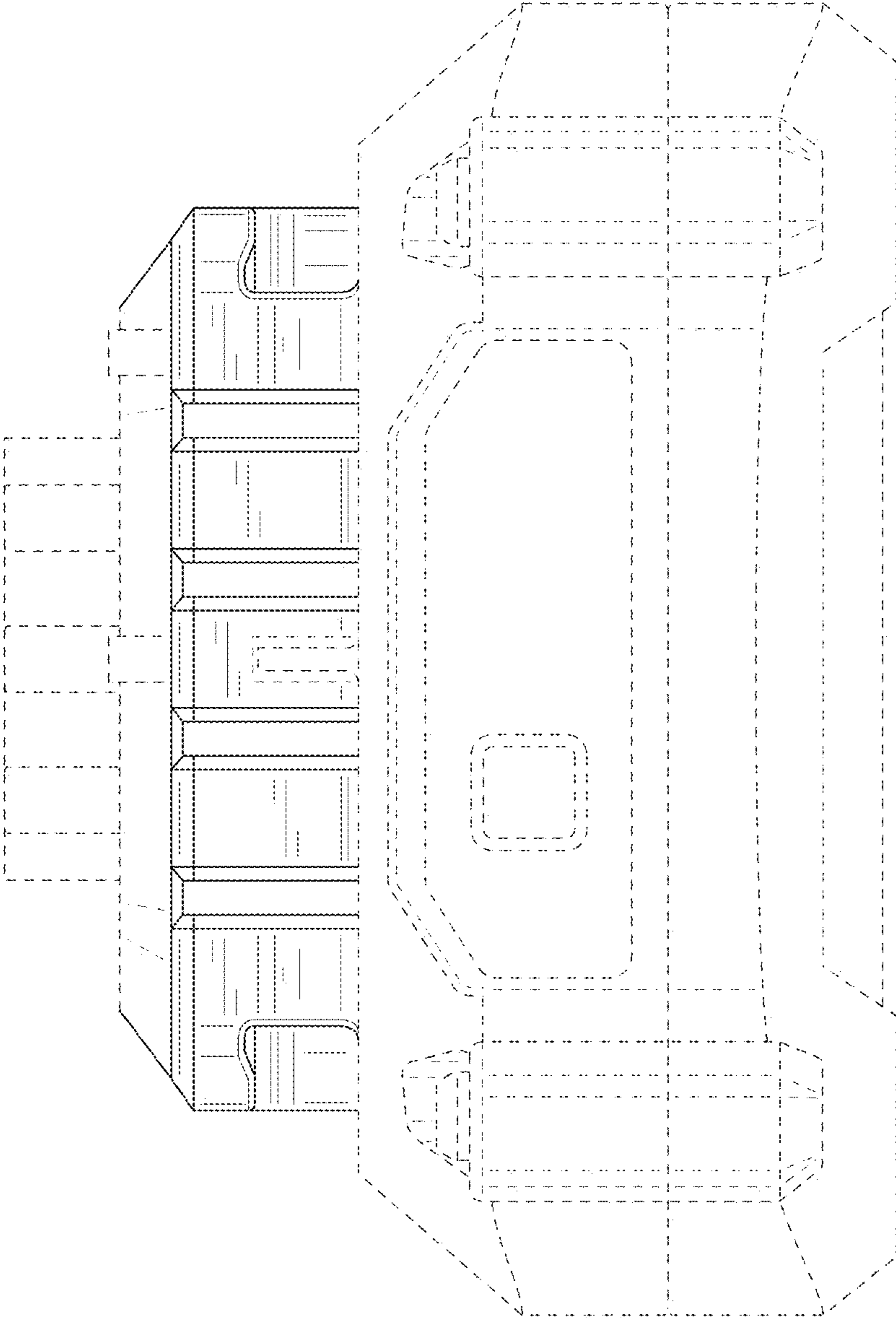


FIG. 9

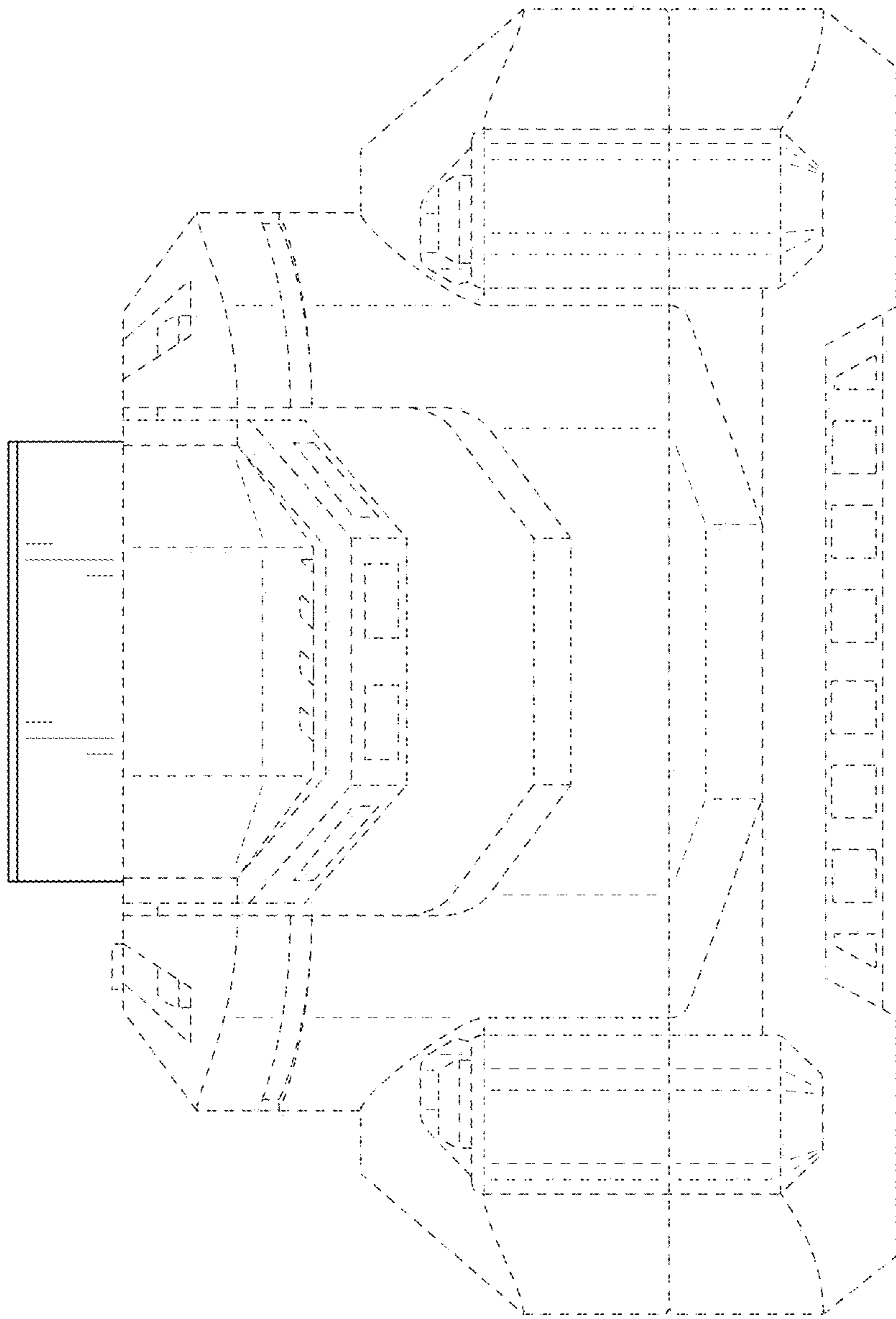


FIG. 10

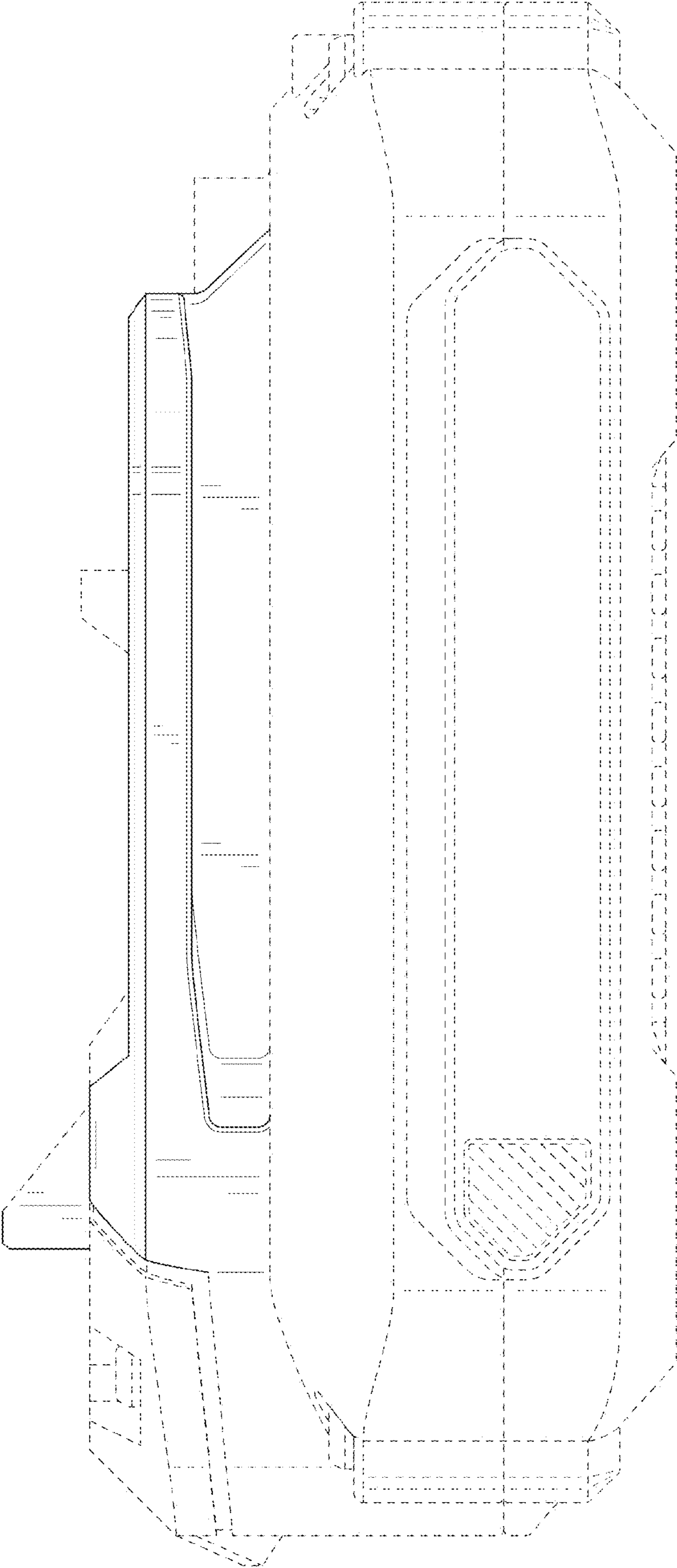


FIG. 11

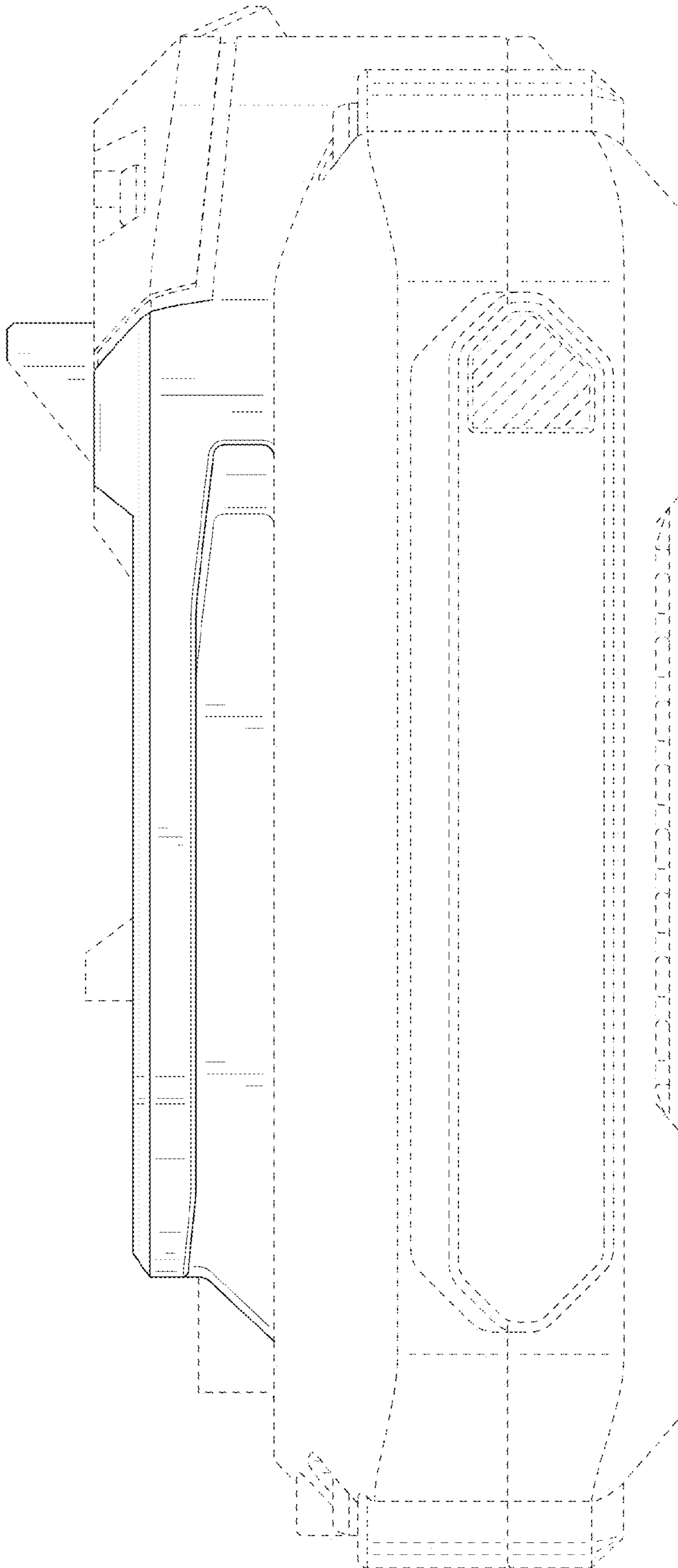


FIG. 12

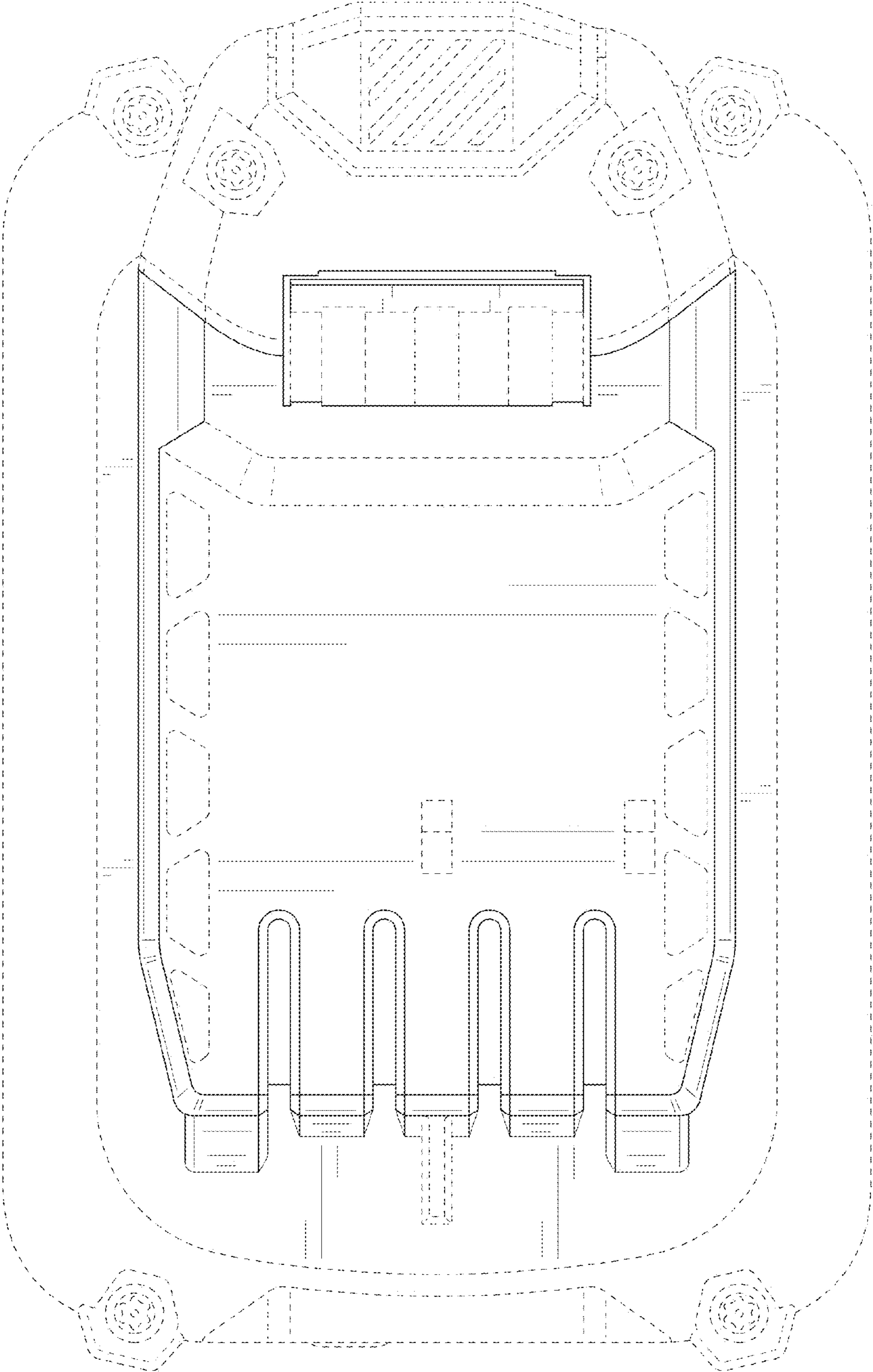


FIG. 13

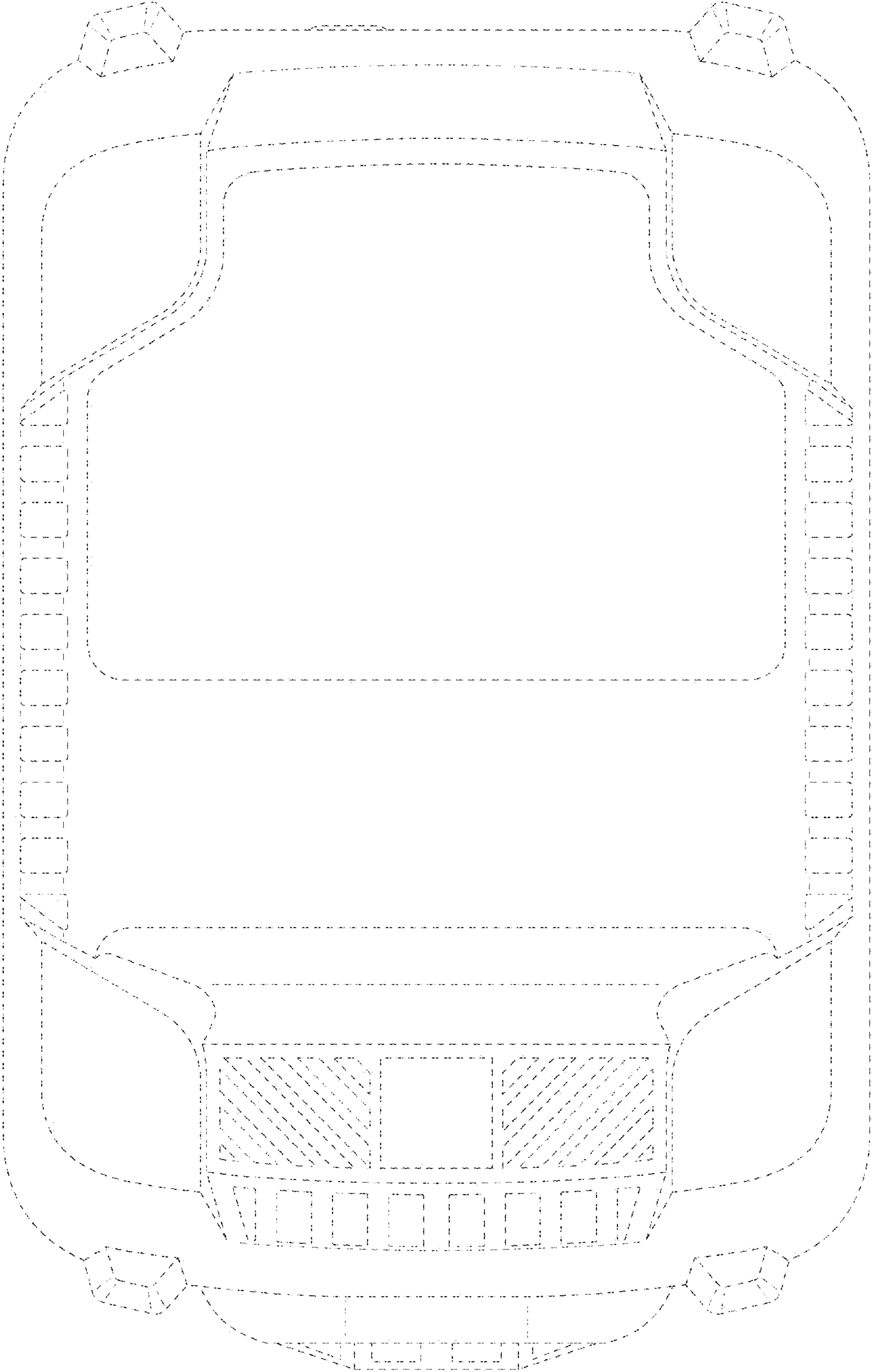


FIG. 14