



US00D956672S

(12) **United States Design Patent**  
**Nakaishi**

(10) **Patent No.:** **US D956,672 S**  
(45) **Date of Patent:** **\*\* Jul. 5, 2022**

- (54) **TIRE**
- (71) Applicant: **Toyo Tire Corporation**, Itami (JP)
- (72) Inventor: **Ayaki Nakaishi**, Itami (JP)
- (73) Assignee: **Toyo Tire Corporation**, Itami (JP)
- (\*\*) Term: **15 Years**
- (21) Appl. No.: **29/748,146**
- (22) Filed: **Aug. 27, 2020**

D875,651 S *	2/2020	Bonifas	.....	D12/579
D875,660 S *	2/2020	Thieman	.....	D12/602
D877,697 S *	3/2020	Schultz	.....	D12/602
D901,375 S *	11/2020	Lv	.....	D12/596
D931,195 S *	9/2021	Kristen	.....	D12/583

- (30) **Foreign Application Priority Data**
- Mar. 4, 2020 (JP) ..... 2020-004337 D
- (51) **LOC (13) Cl.** ..... **12-15**
- (52) **U.S. Cl.**
- USPC ..... **D12/583**
- (58) **Field of Classification Search**
- USPC ..... D12/568-605, 900
- CPC ..... Y10T 152/10027; B60C 1/0016; B60C 11/0306; B60C 11/0302; B60C 3/06; B60C 9/17
- See application file for complete search history.

**FOREIGN PATENT DOCUMENTS**

JP 1565660 S 12/2016

\* cited by examiner

*Primary Examiner* — John A Voytek

(74) *Attorney, Agent, or Firm* — Sterne, Kessler, Goldstein & Fox P.L.L.C.

- (56) **References Cited**
- U.S. PATENT DOCUMENTS**
- D505,384 S \* 5/2005 Kageyama ..... D12/900
- D651,554 S \* 1/2012 Durand ..... D12/583
- D656,890 S \* 4/2012 Rittweger ..... D12/583
- D766,814 S \* 9/2016 Pressley ..... D12/583
- D768,561 S \* 10/2016 Brown ..... D12/583
- D834,508 S \* 11/2018 Wang ..... D12/602
- D847,725 S \* 5/2019 Dixon ..... D12/564
- D863,210 S \* 10/2019 Dixon ..... D12/583

(57) **CLAIM**

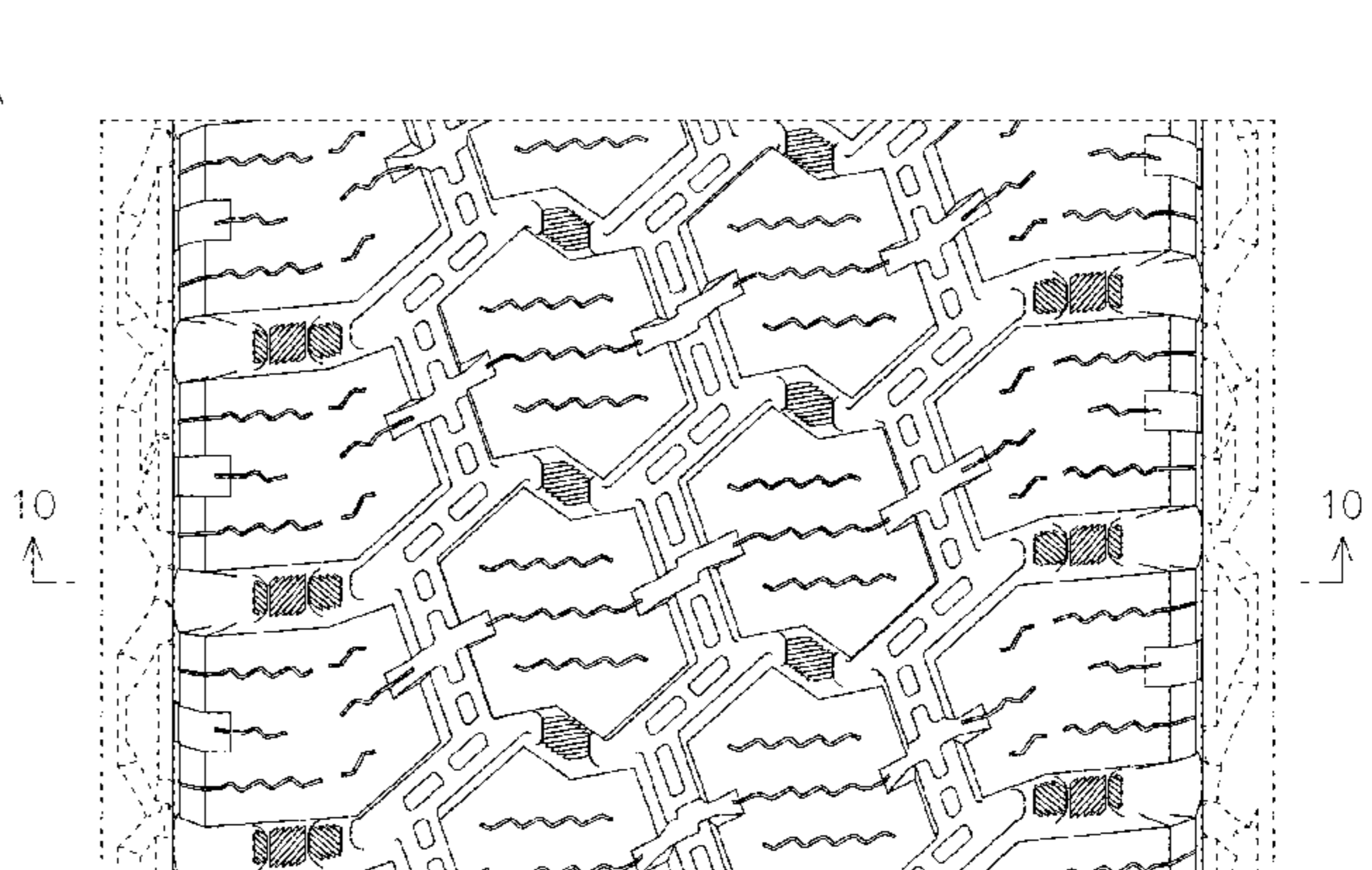
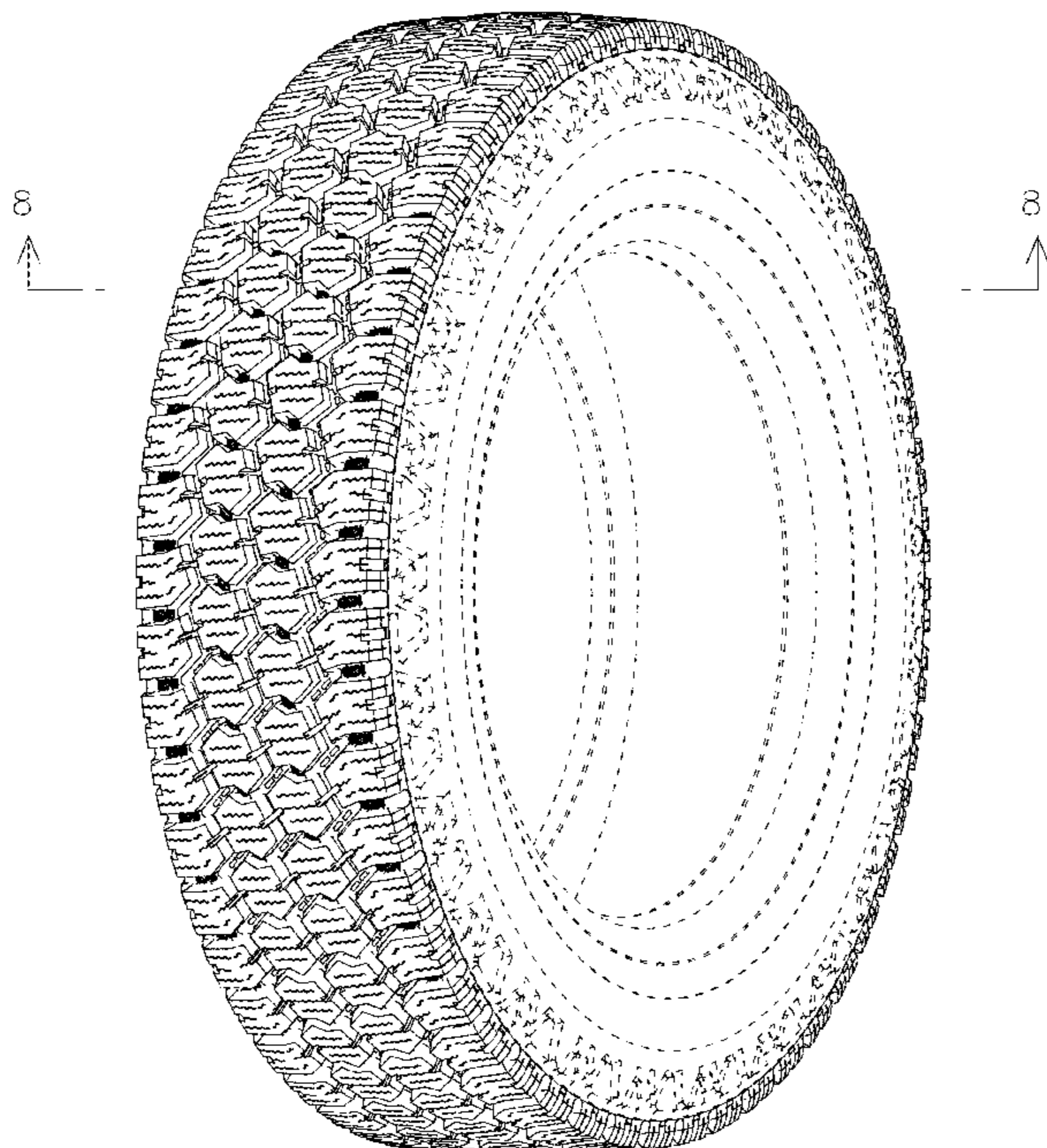
The ornamental design for a tire, as shown and described.

**DESCRIPTION**

FIG. 1 is a front perspective view of a tire showing the claimed design;  
 FIG. 2 is a front view thereof;  
 FIG. 3 is a rear view thereof;  
 FIG. 4 is a top plan view thereof;  
 FIG. 5 is a bottom plan view thereof;  
 FIG. 6 is a right side view thereof;  
 FIG. 7 is a left side view thereof;  
 FIG. 8 is an enlarged view taken along line 8-8 in FIG. 1;  
 FIG. 9 is an enlarged view of the portion 9-9 in FIG. 2; and,  
 FIG. 10 is a cross-sectional view taken along line 10-10 in FIG. 9.

In the drawings, the broken lines show portions of the tire that form no part of the claimed design.

**1 Claim, 10 Drawing Sheets**



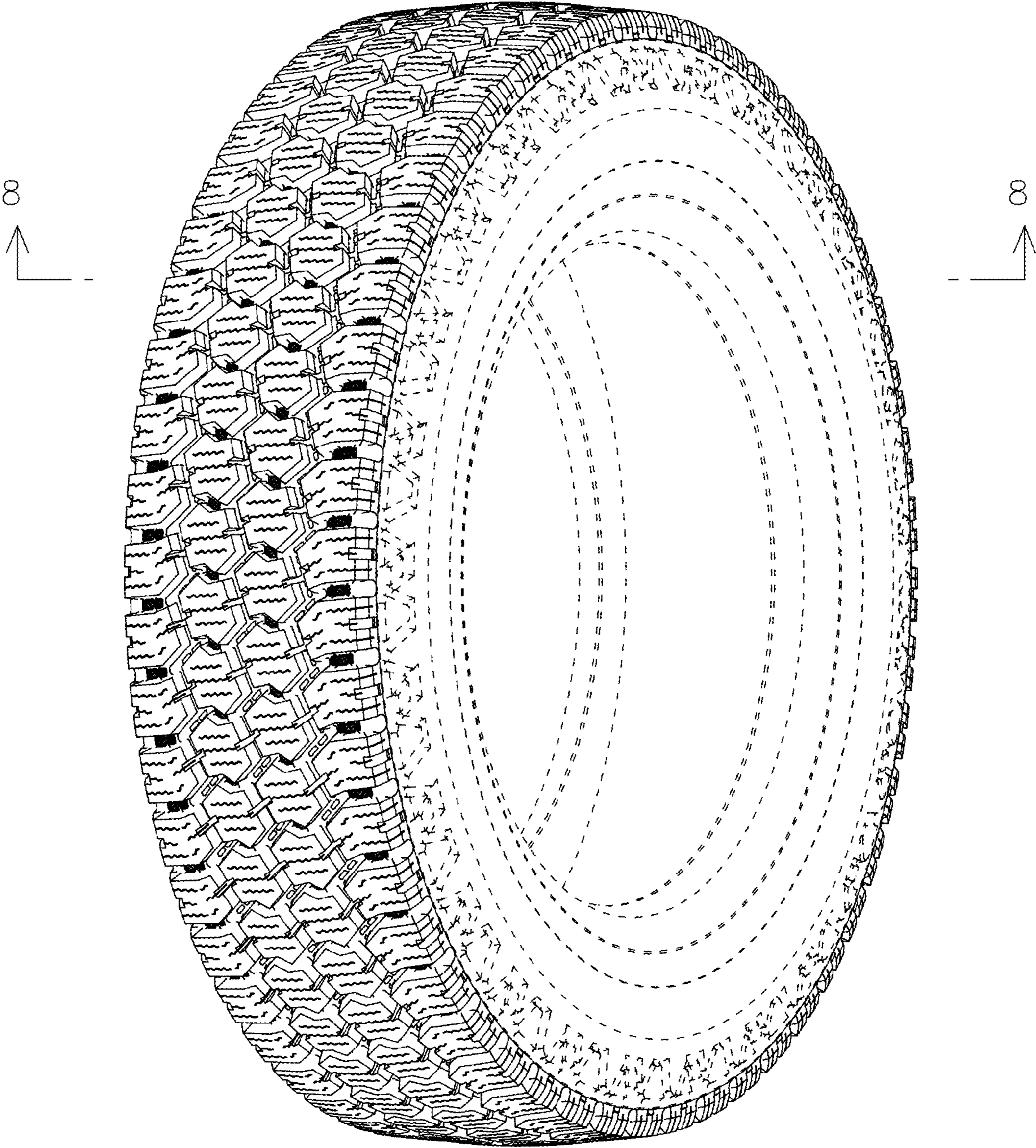


FIG. 1

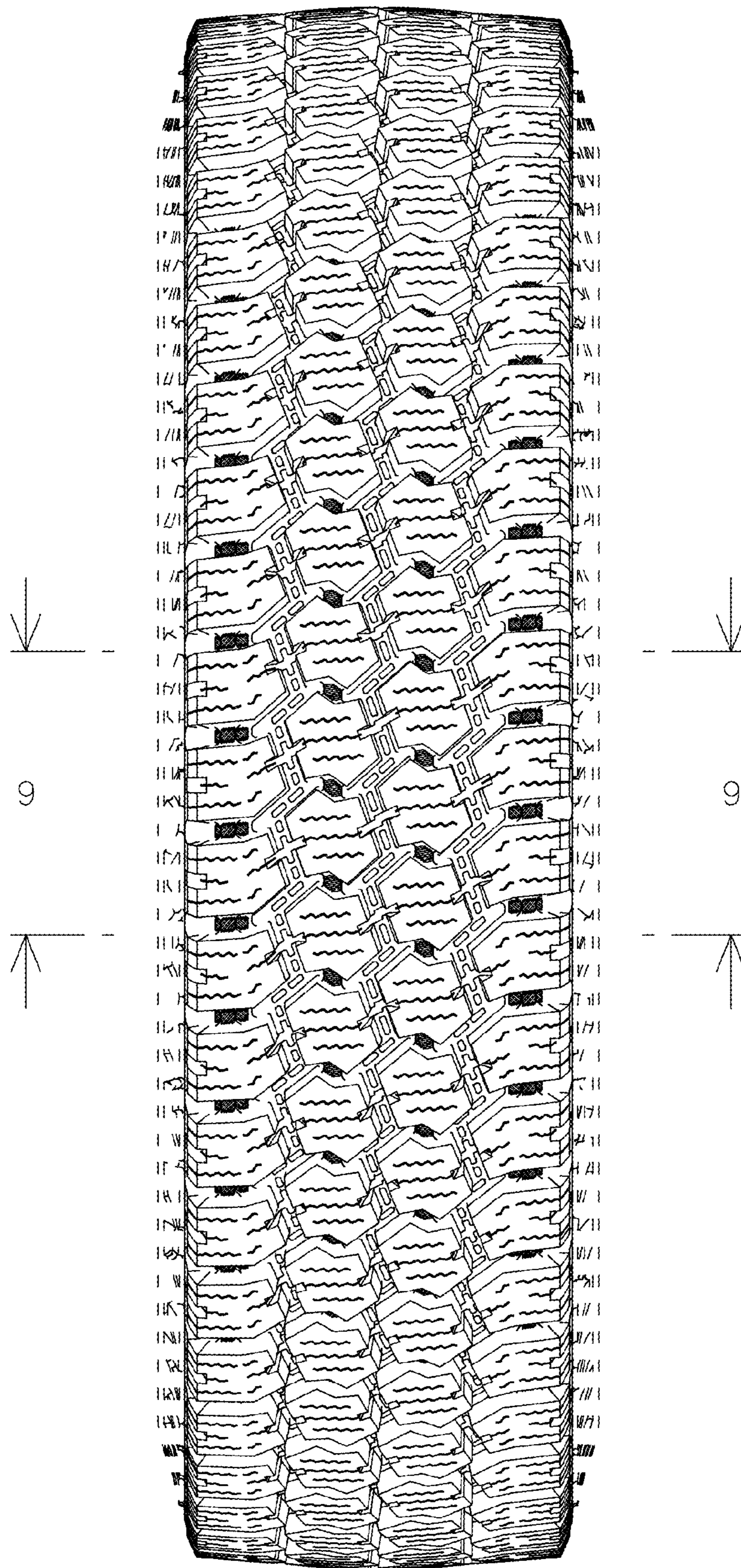


FIG. 2

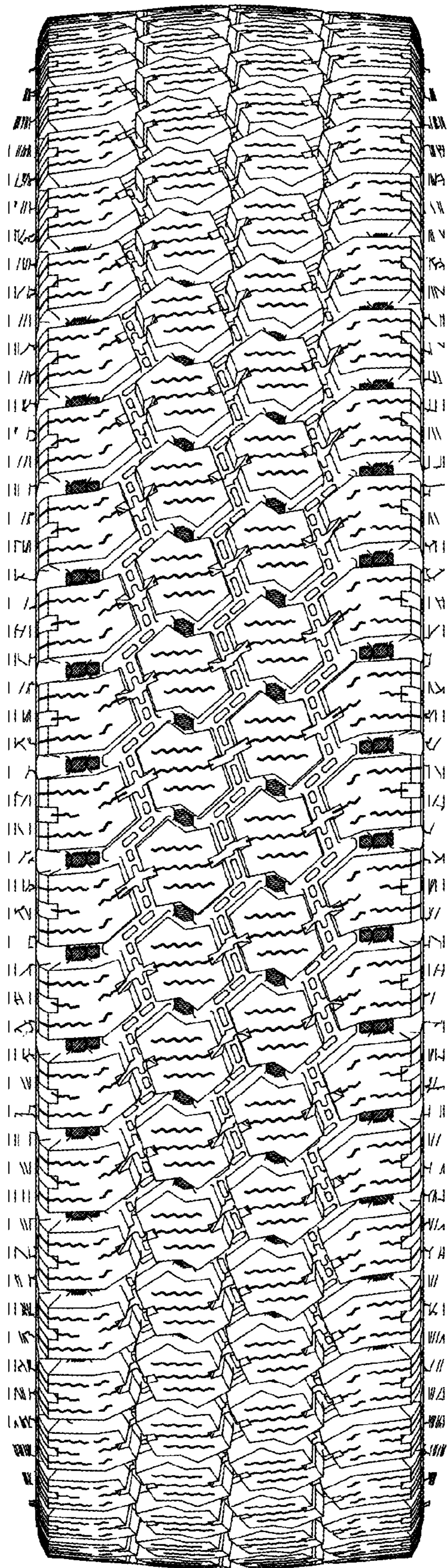


FIG. 3

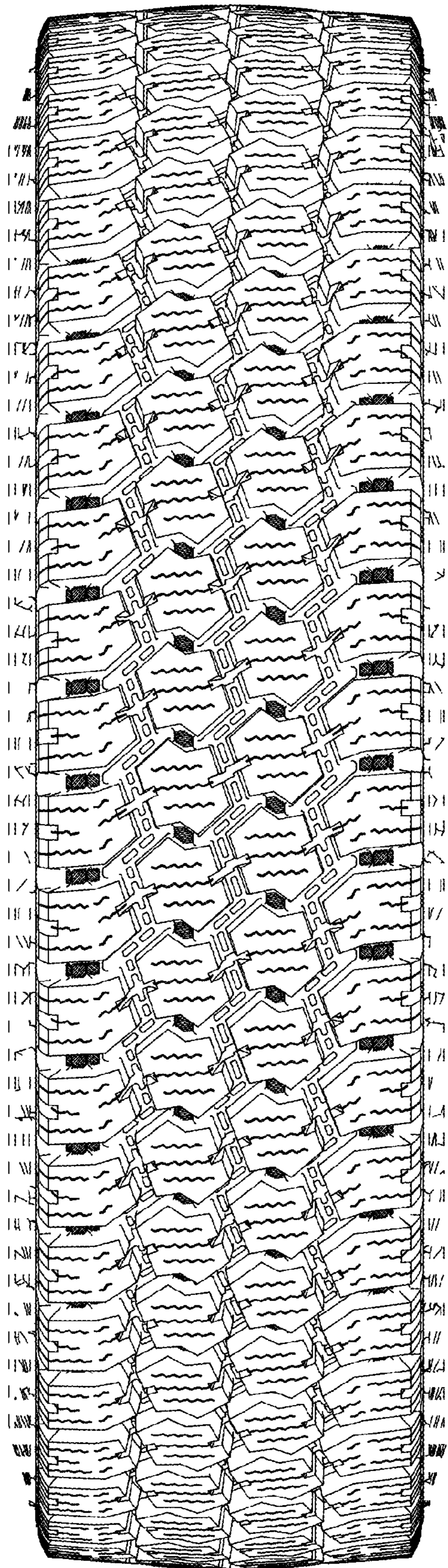


FIG. 4

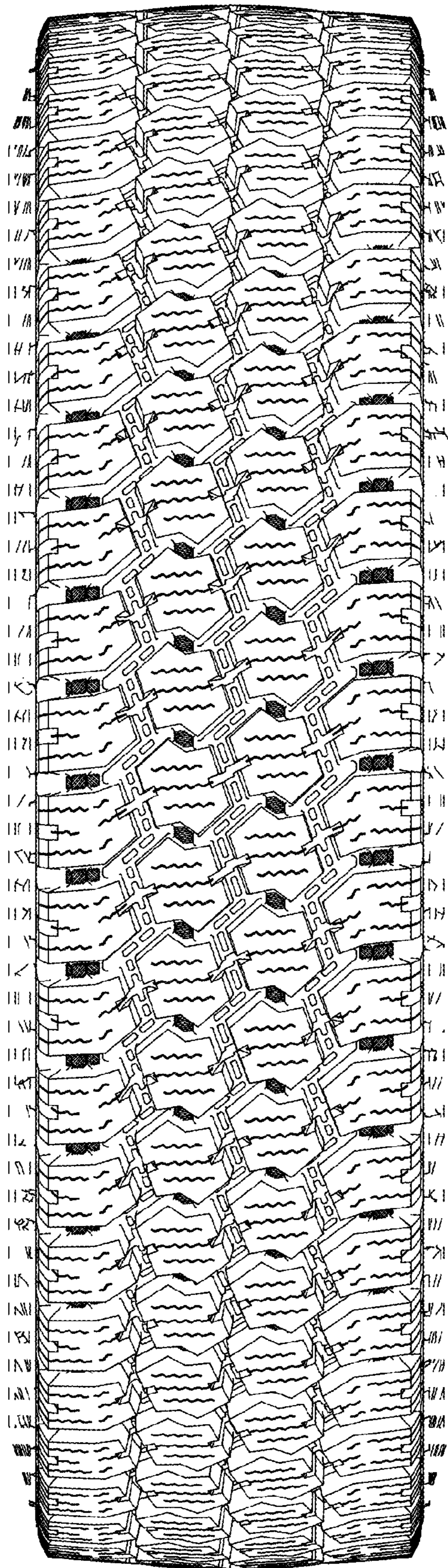


FIG. 5

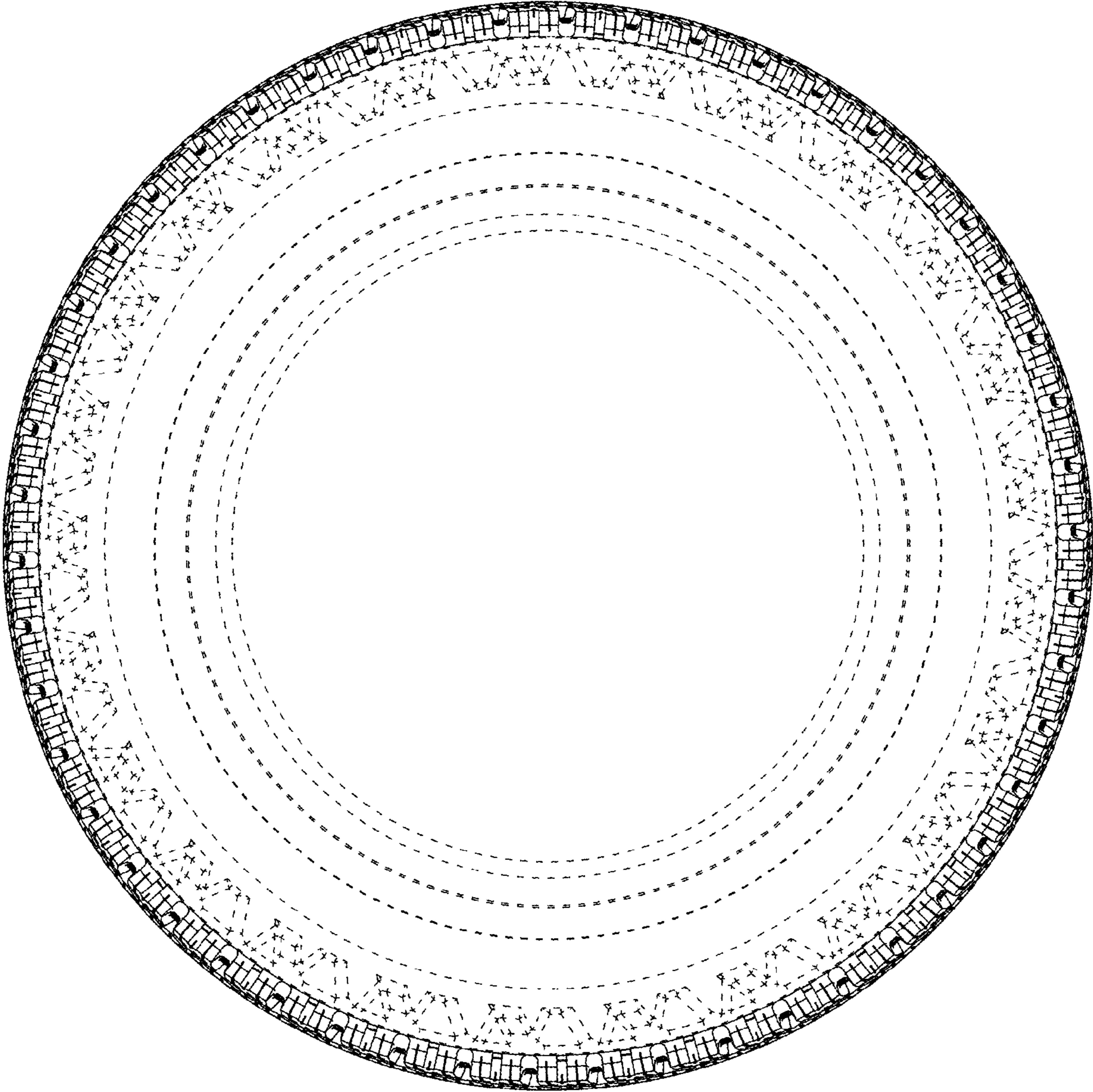


FIG. 6

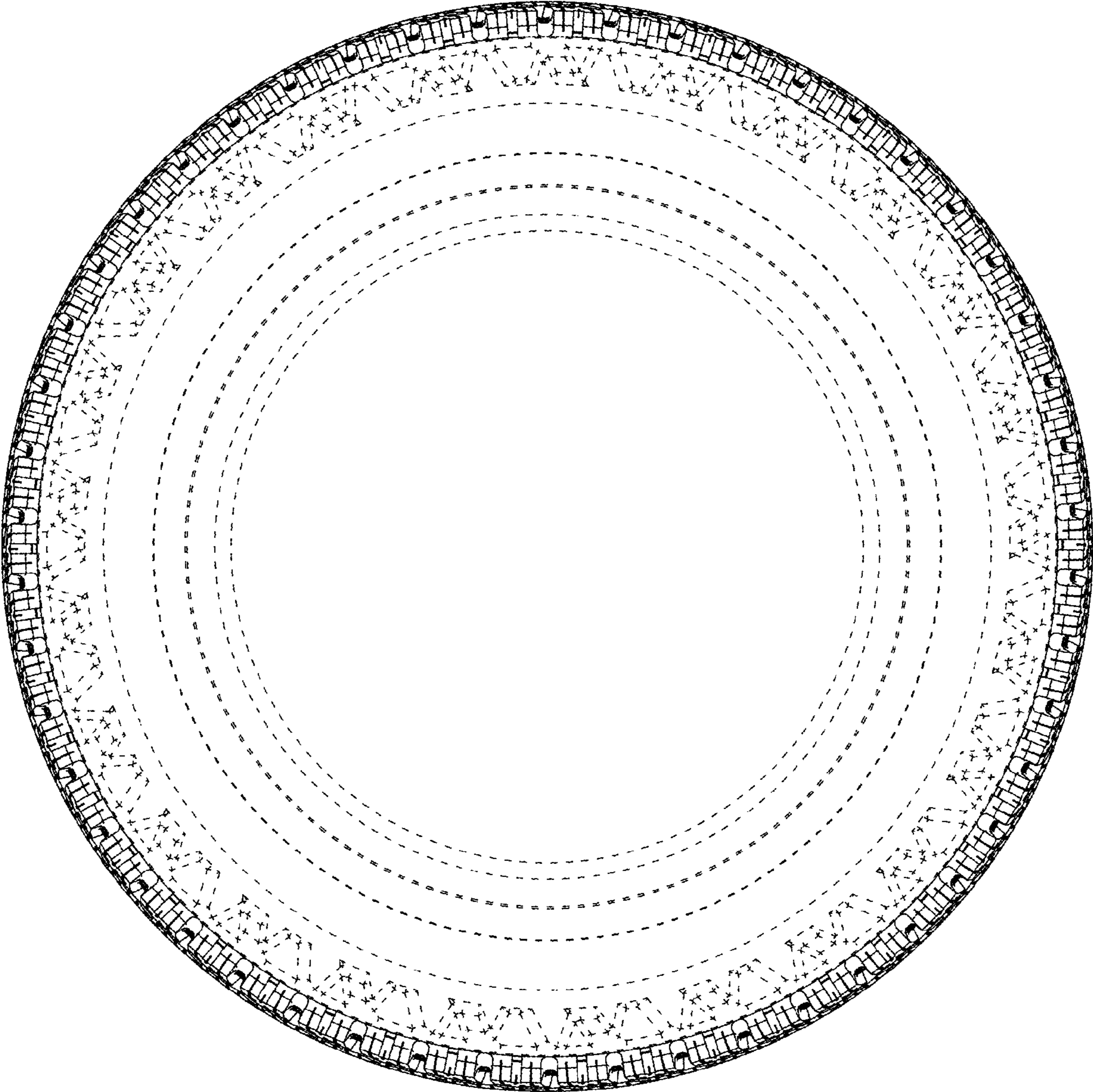


FIG. 7



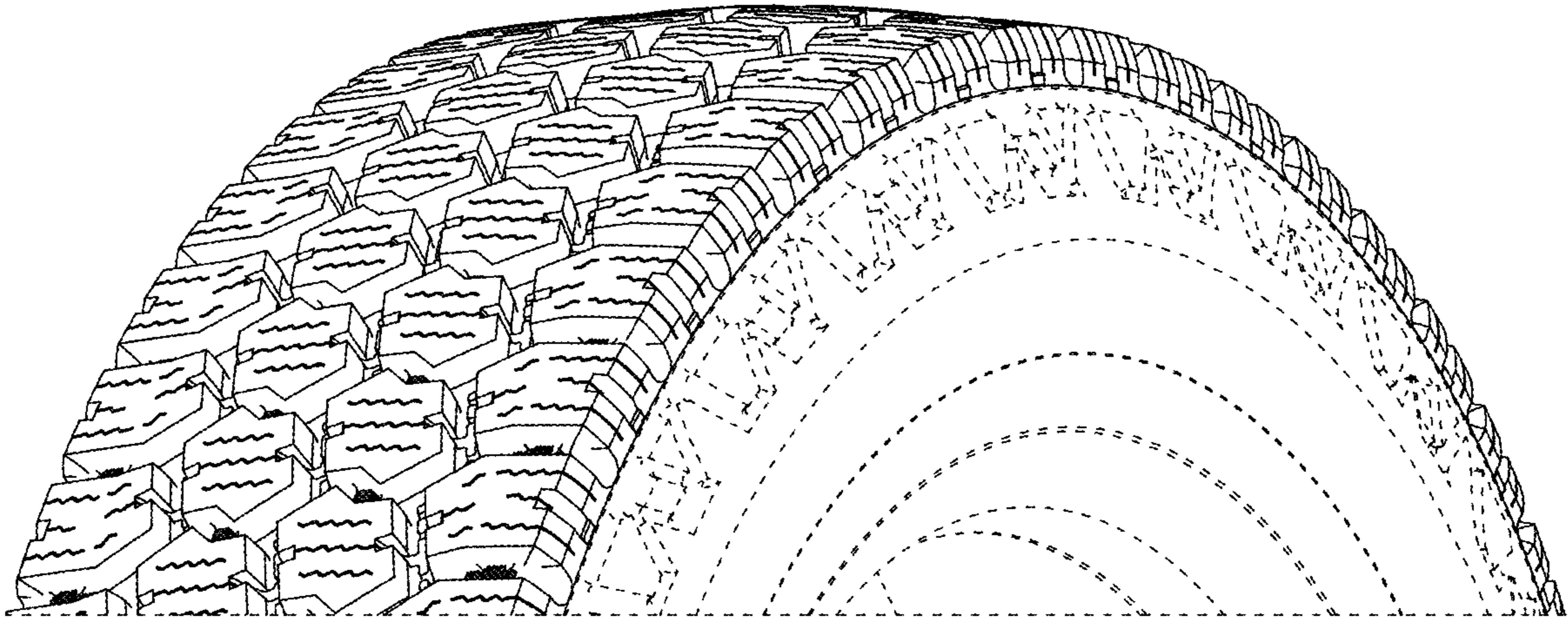


FIG. 8

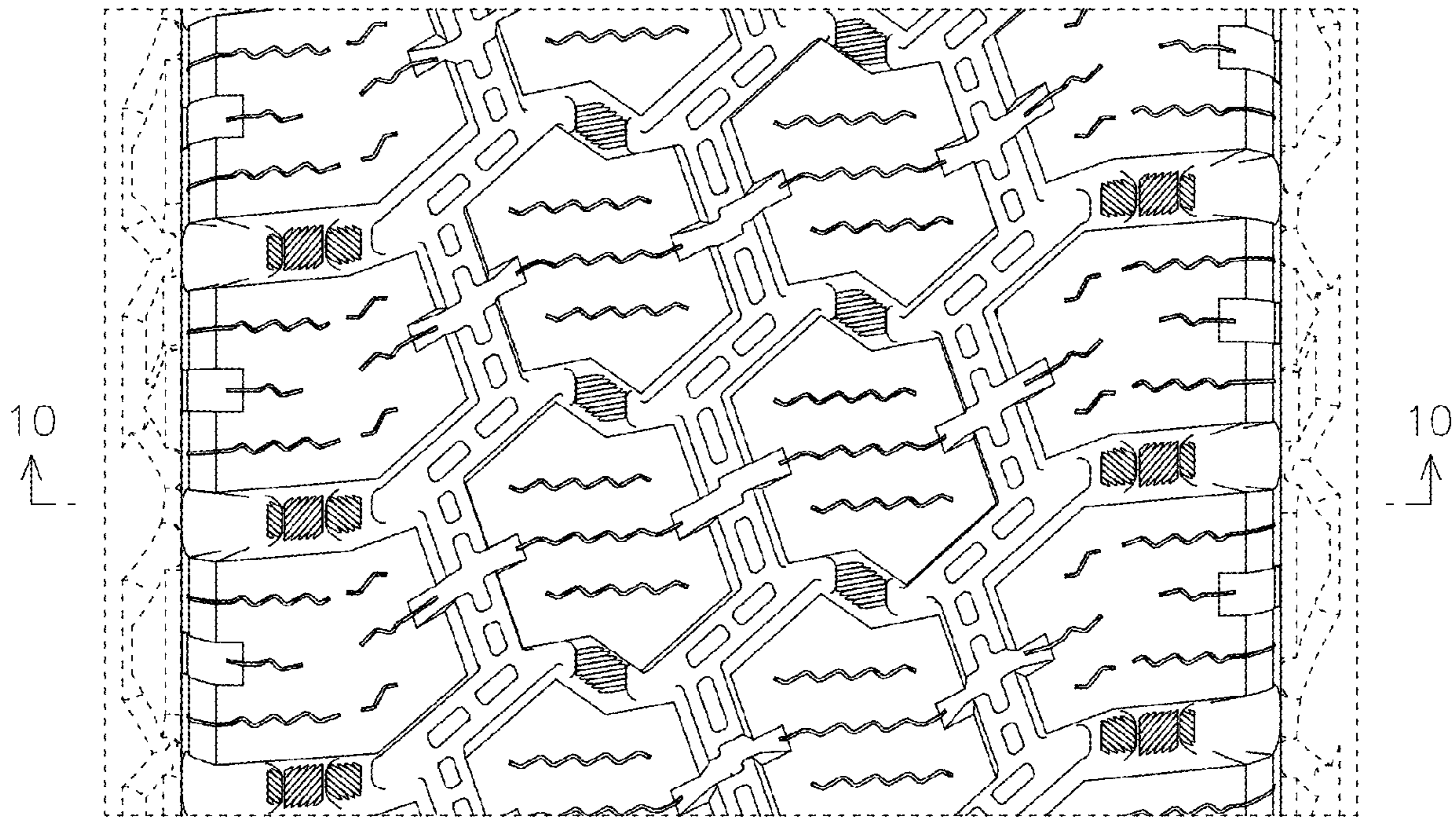


FIG. 9

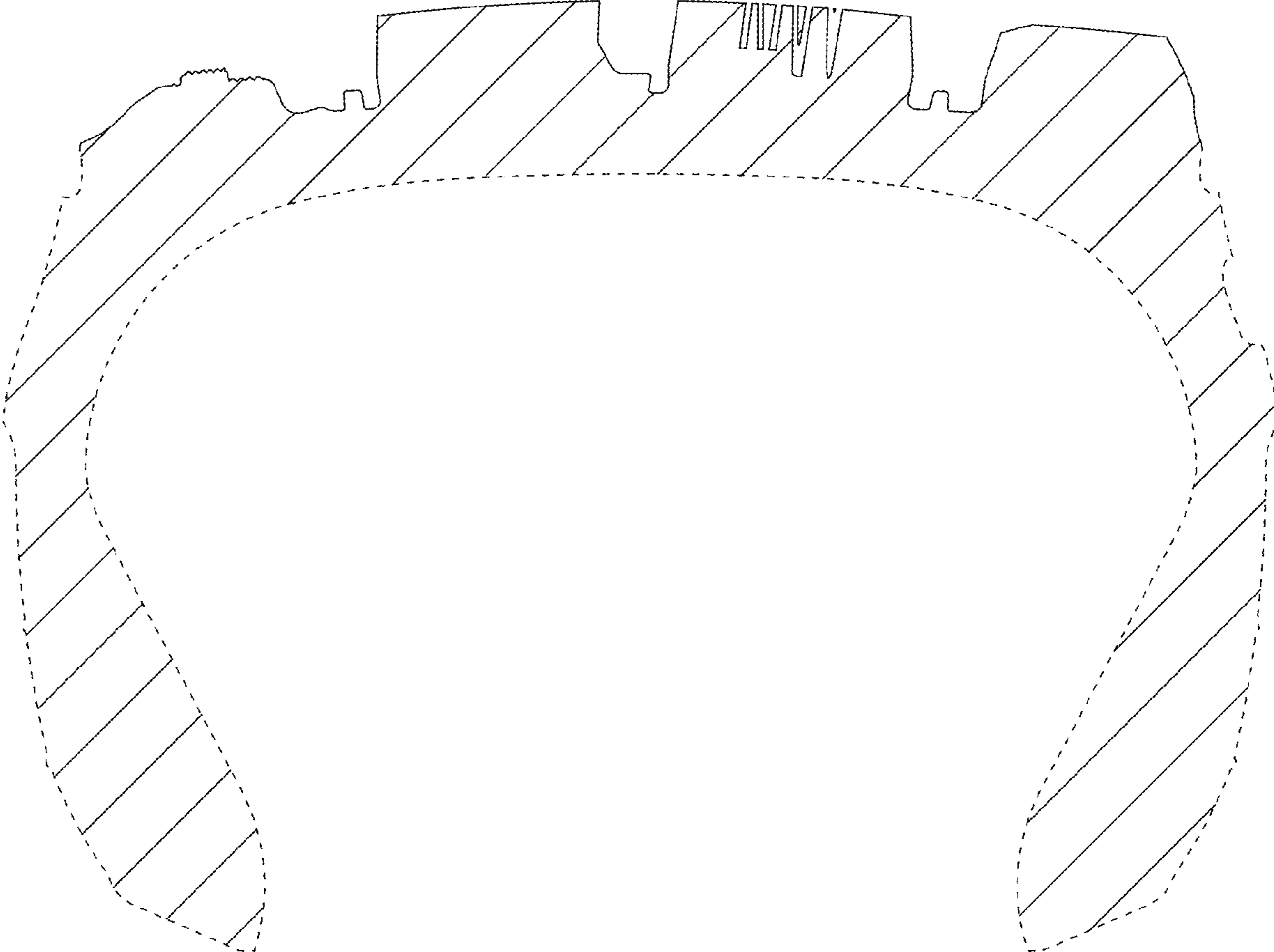


FIG. 10