



US00D956668S

(12) **United States Design Patent**
Ishizu et al.

(10) **Patent No.:** **US D956,668 S**

(45) **Date of Patent:** **** Jul. 5, 2022**

(54) **AUTOMOBILE TIRE**

(71) Applicant: **THE YOKOHAMA RUBBER CO., LTD.**, Tokyo (JP)

(72) Inventors: **Kento Ishizu**, Hiratsuka (JP); **Shunya Harada**, Hiratsuka (JP)

(73) Assignee: **THE YOKOHAMA RUBBER CO., LTD.**, Tokyo (JP)

(**) Term: **15 Years**

(21) Appl. No.: **29/745,365**

(22) Filed: **Aug. 5, 2020**

(30) **Foreign Application Priority Data**

Feb. 5, 2020 (JP) 2020-002134 D

(51) **LOC (13) Cl.** **12-15**

(52) **U.S. Cl.**
USPC **D12/545**

(58) **Field of Classification Search**

USPC D12/533-567, 604
CPC Y10T 152/10027; B60C 1/0016; B60C 11/0306; B60C 11/0302; B60C 3/06; B60C 9/17

See application file for complete search history.

(56) **References Cited**

U.S. PATENT DOCUMENTS

D512,682 S *	12/2005	Krenz	D12/564
D723,453 S *	3/2015	Knispel	D12/563
D756,292 S *	5/2016	Yoon	D12/545
D810,668 S *	2/2018	Cavro	D12/563
D819,551 S *	6/2018	Uchida	D12/563
D879,018 S *	3/2020	Amenta	D12/558

D900,712 S *	11/2020	Santangeli	D12/545
D930,563 S *	9/2021	Koetter	D12/545
2016/0288580 A1 *	10/2016	Higashiura	B60C 11/0302
2018/0111421 A1 *	4/2018	Nagasawa	B60C 11/12
2020/0130418 A1 *	4/2020	Miyamoto	B60C 11/0008
2020/0198405 A1 *	6/2020	Philipot	B60C 11/1204

* cited by examiner

Primary Examiner — John A Voytek

(74) *Attorney, Agent, or Firm* — Banner & Witcoff, Ltd.

(57) **CLAIM**

The ornamental design for an automobile tire, as shown and described.

DESCRIPTION

FIG. 1 is a perspective view of an automobile tire showing our design;

FIG. 2 is a front view thereof;

FIG. 3 is a rear view thereof;

FIG. 4 is a right side view thereof;

FIG. 5 is a left side view thereof;

FIG. 6 is a top view thereof;

FIG. 7 is a bottom view thereof;

FIG. 8 is a partially enlarged view of a portion defined by lines 8-8 shown in FIG. 1;

FIG. 9 is a partially enlarged view of a portion defined by lines 9-9 shown in FIG. 2; and,

FIG. 10 is a cross sectional view of a portion defined by lines 10-10 shown in FIG. 9.

In the drawings, the dash-dot-dash style broken lines represent a boundary of the claim and form no part thereof. The even length style broken lines depict environmental subject matter only and form no part of the claimed design.

1 Claim, 10 Drawing Sheets

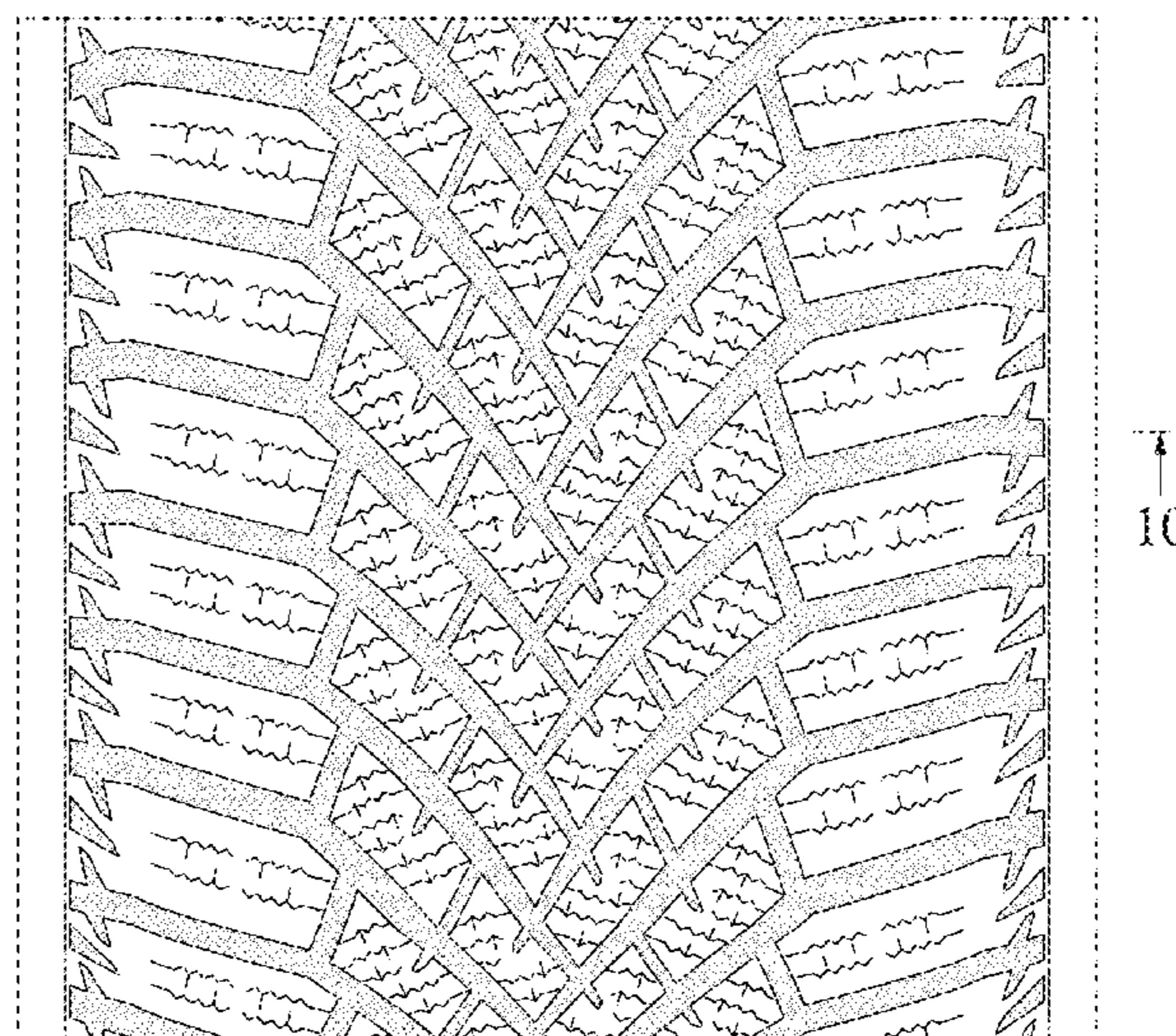
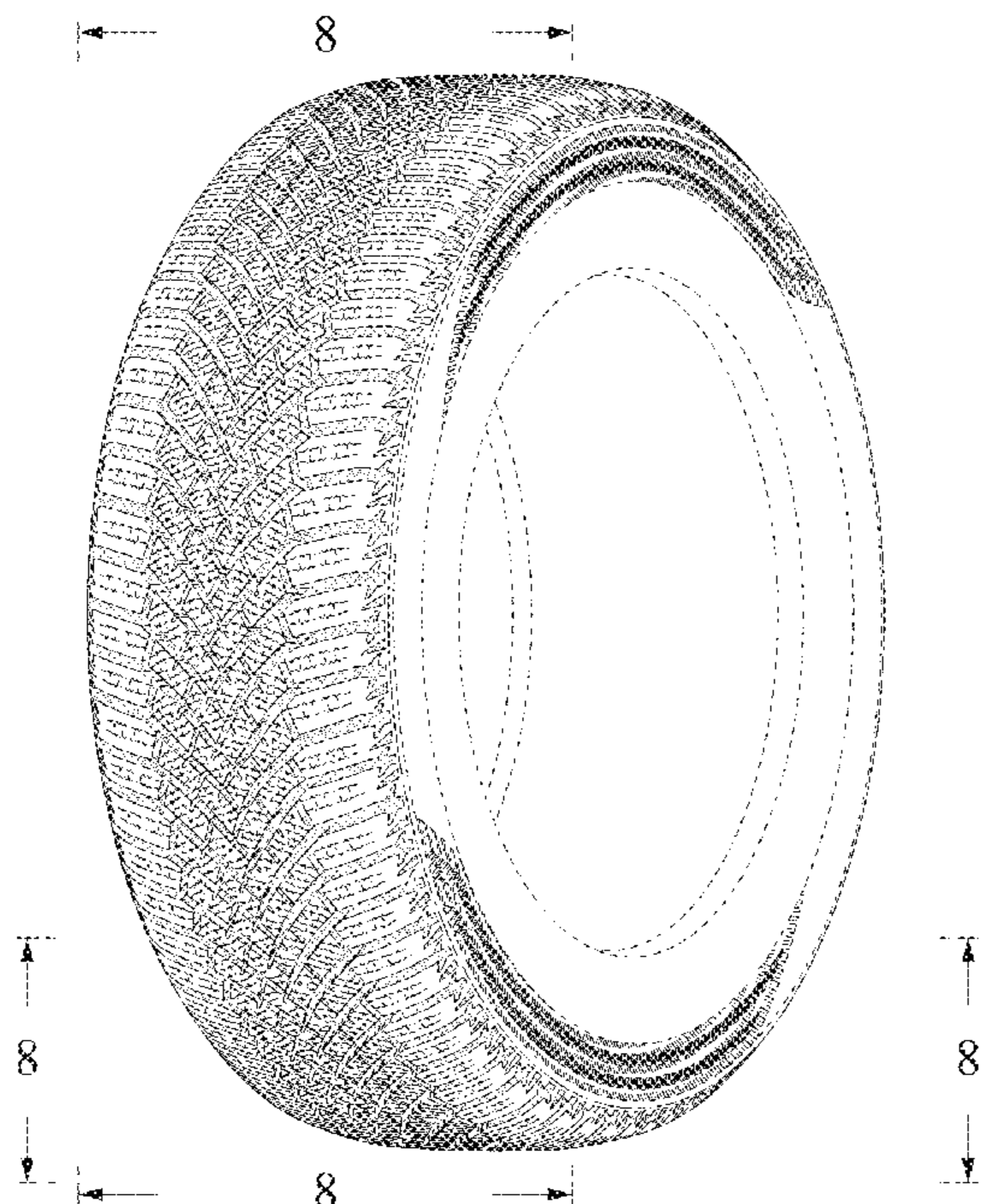


FIG. 1

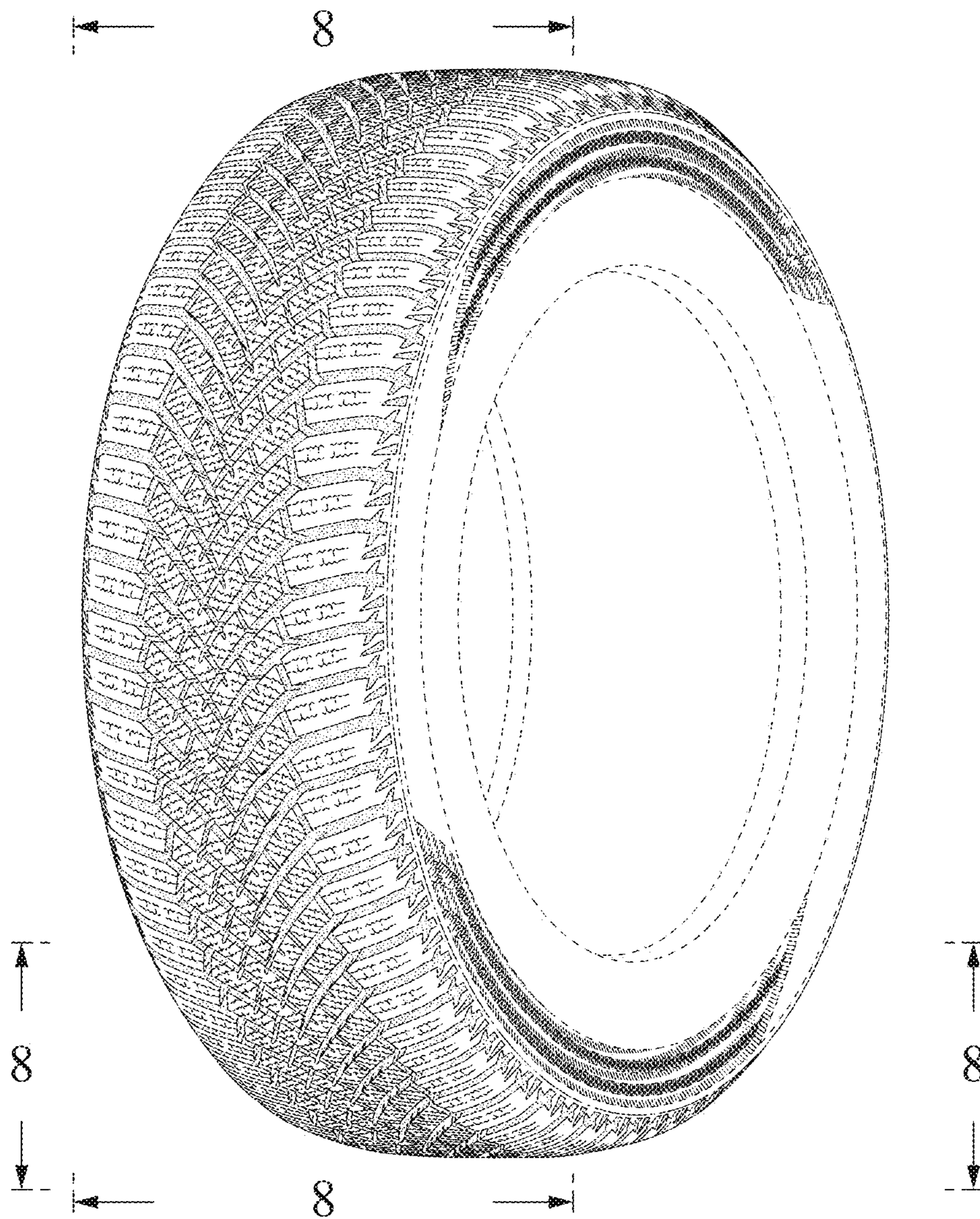


FIG. 2

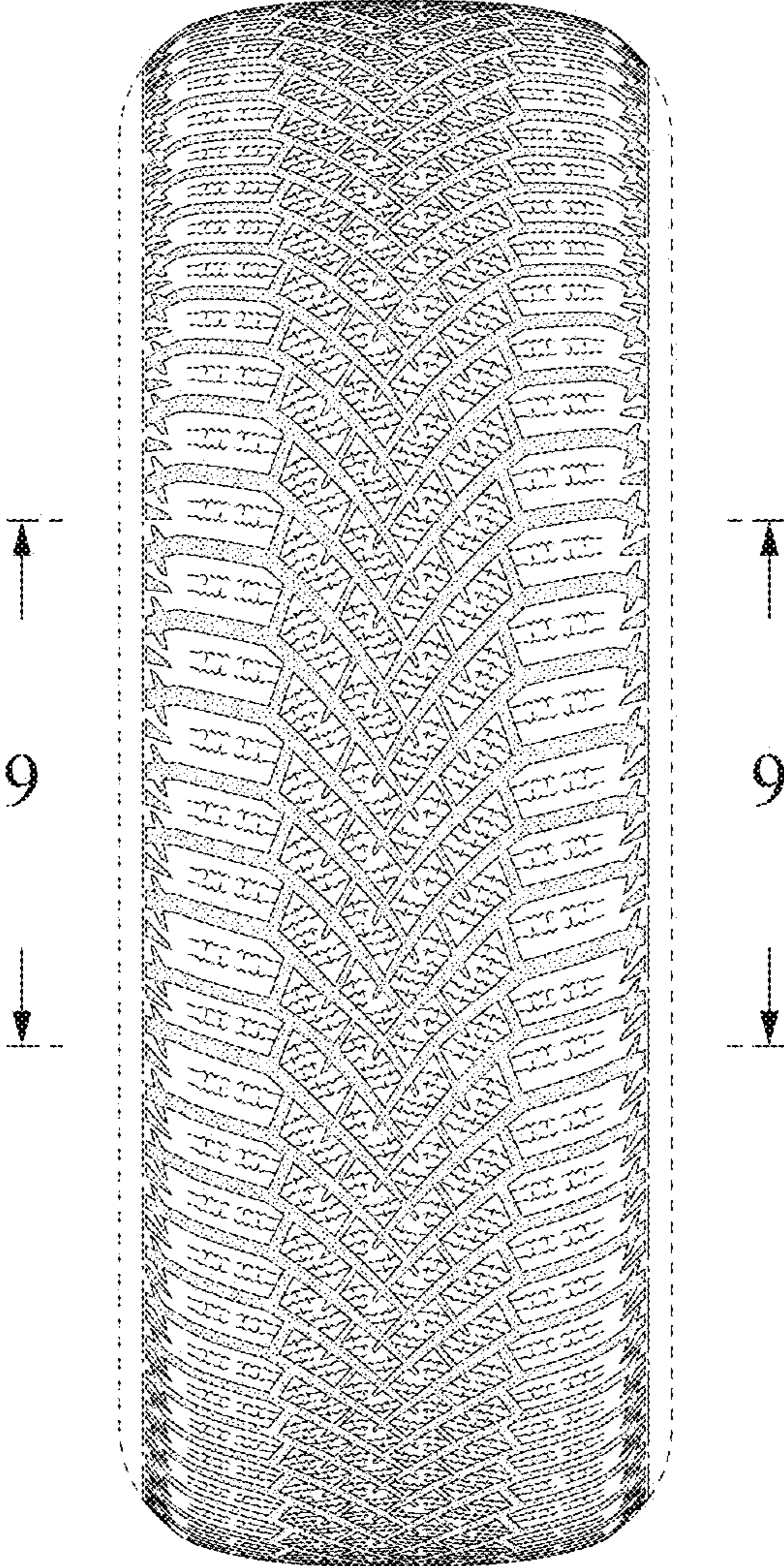


FIG. 3

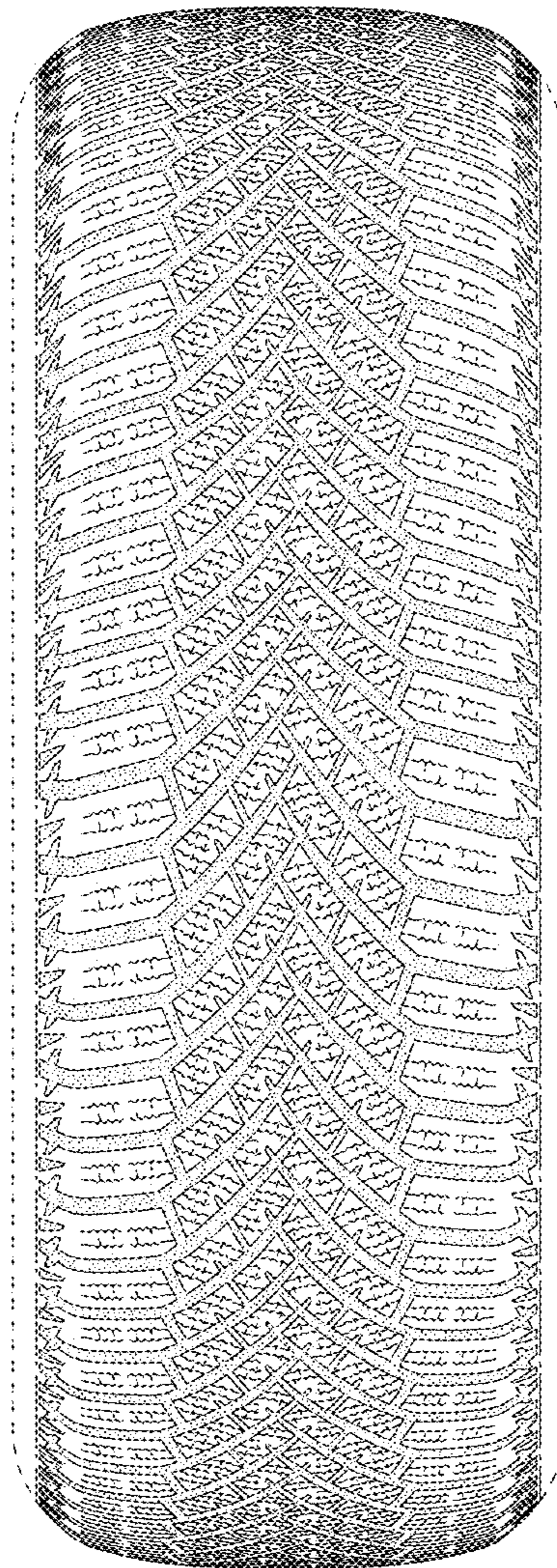


FIG. 4

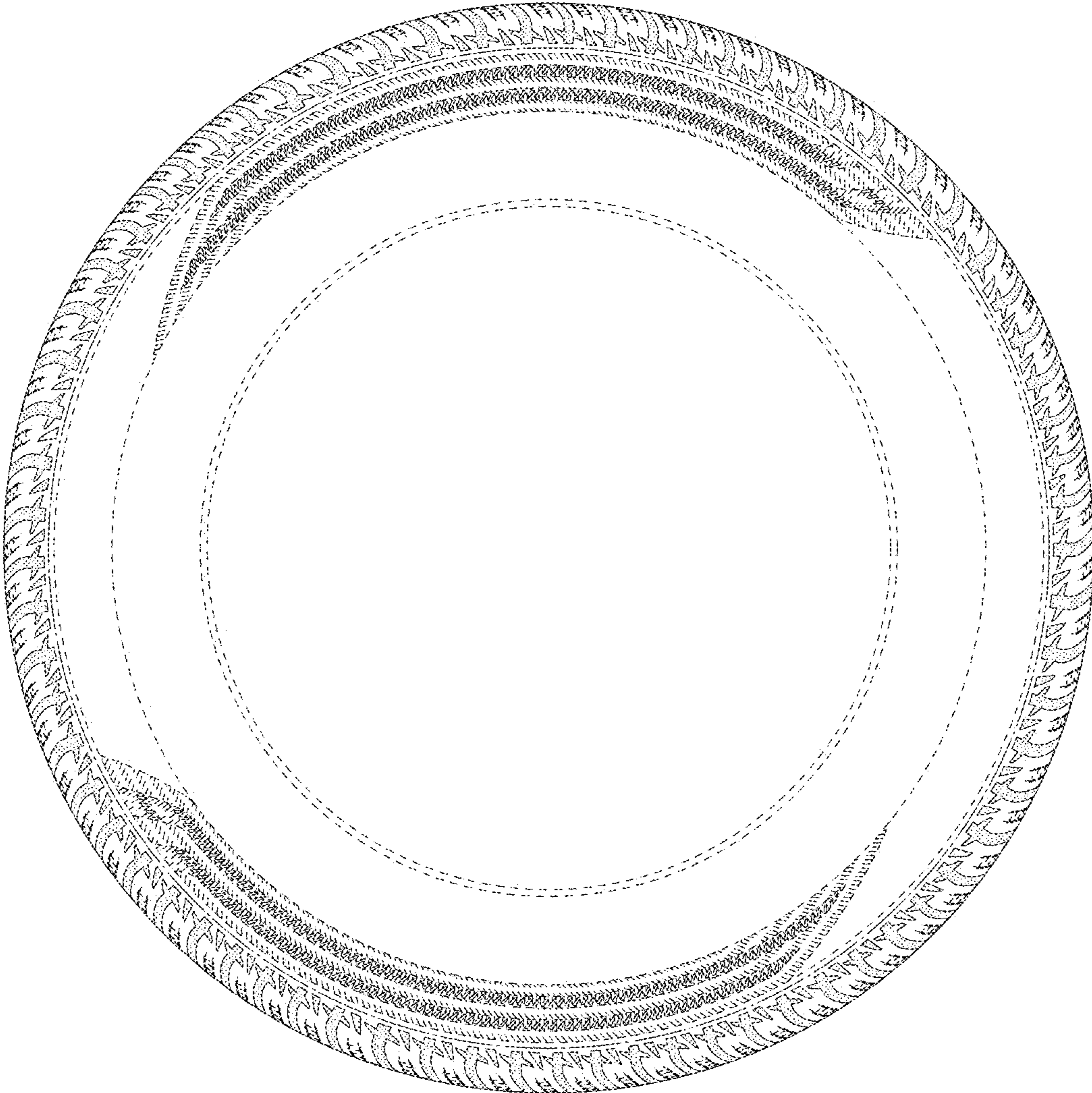


FIG. 5

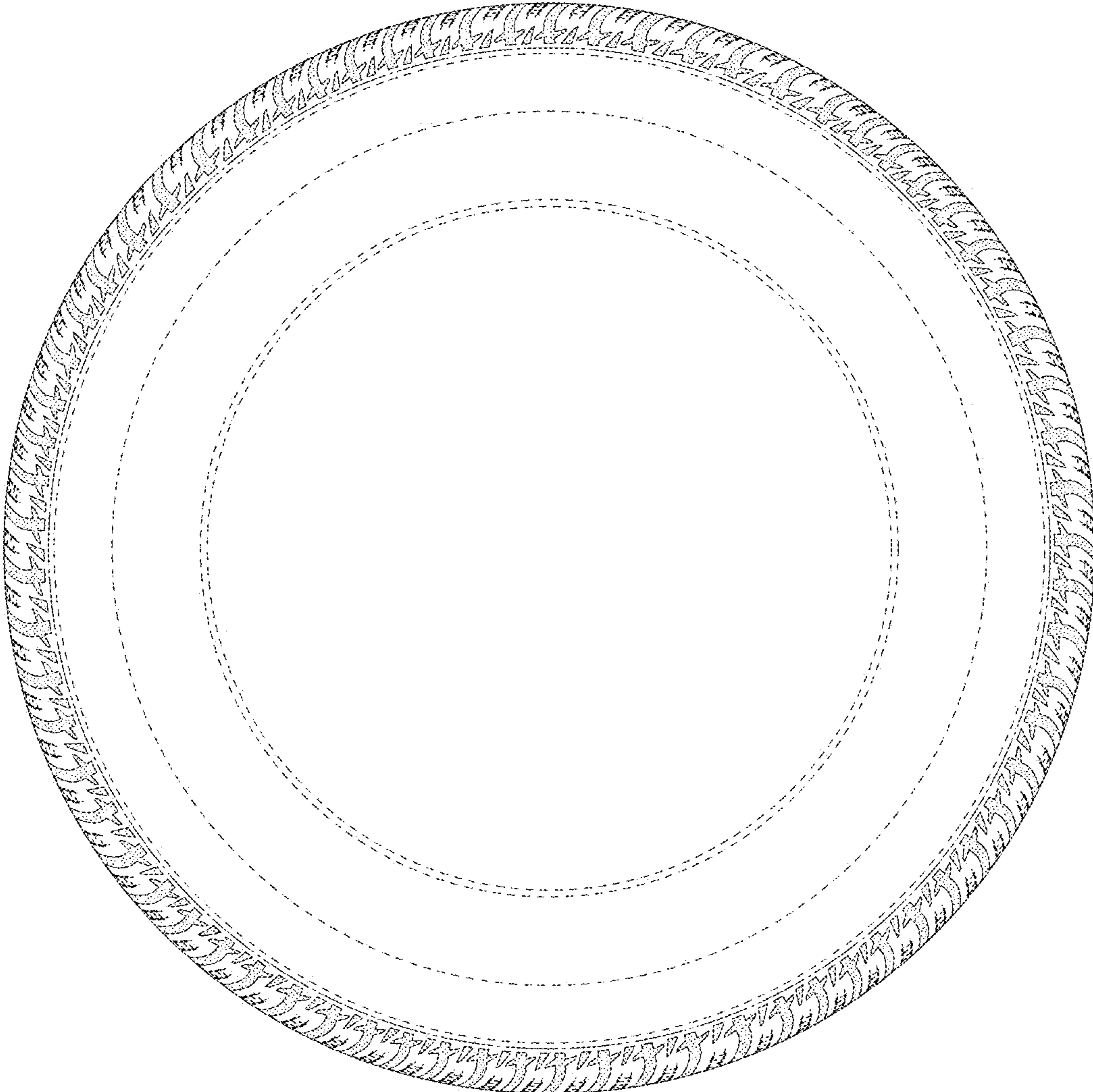


FIG. 6

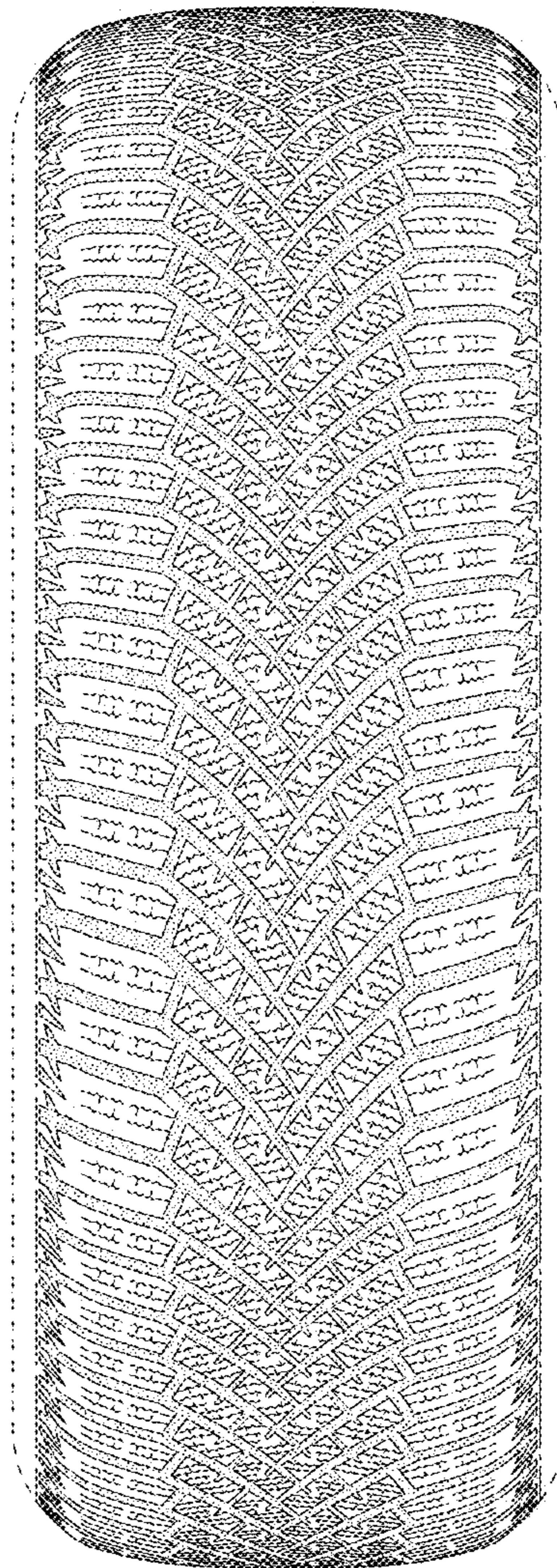


FIG. 7

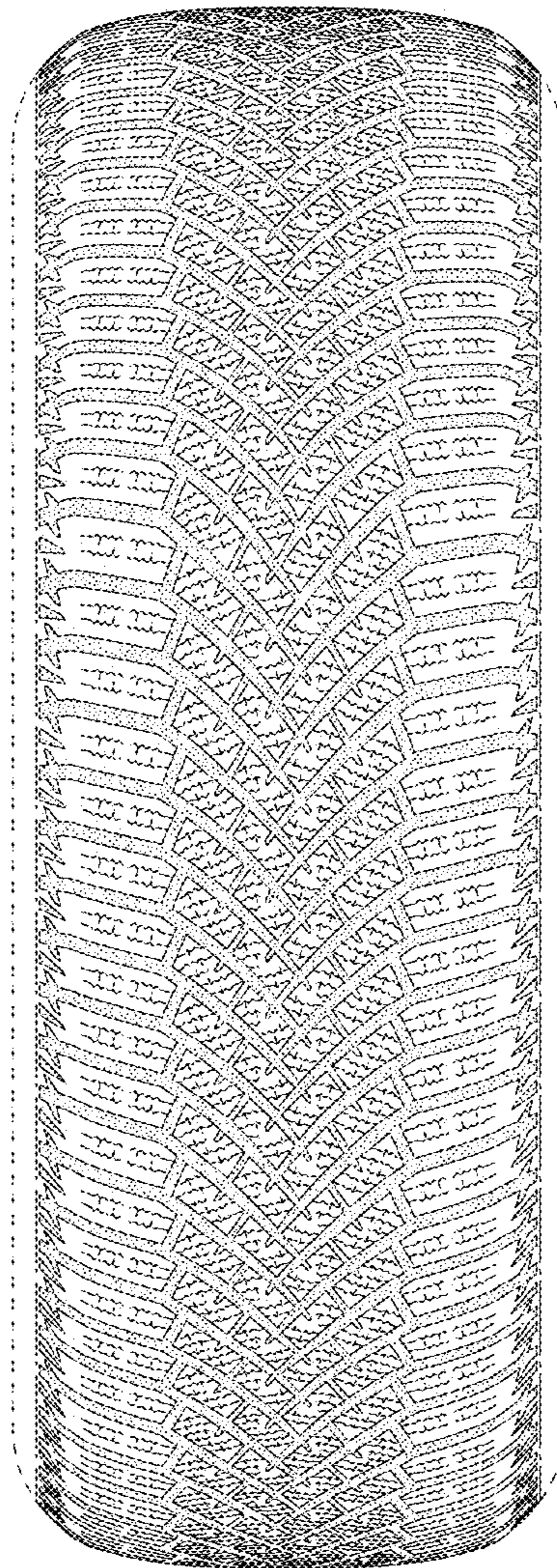


FIG. 8

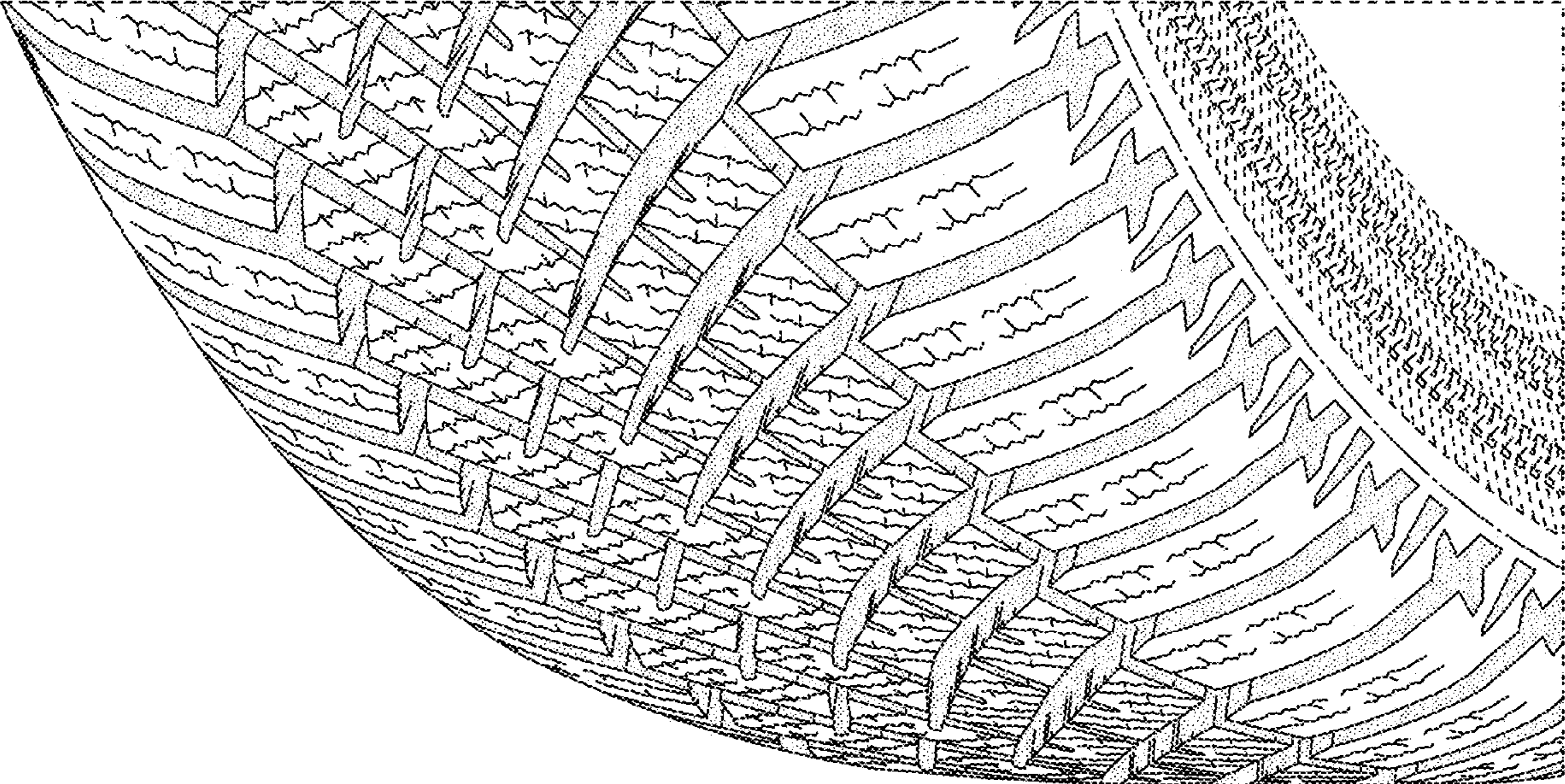


FIG. 9

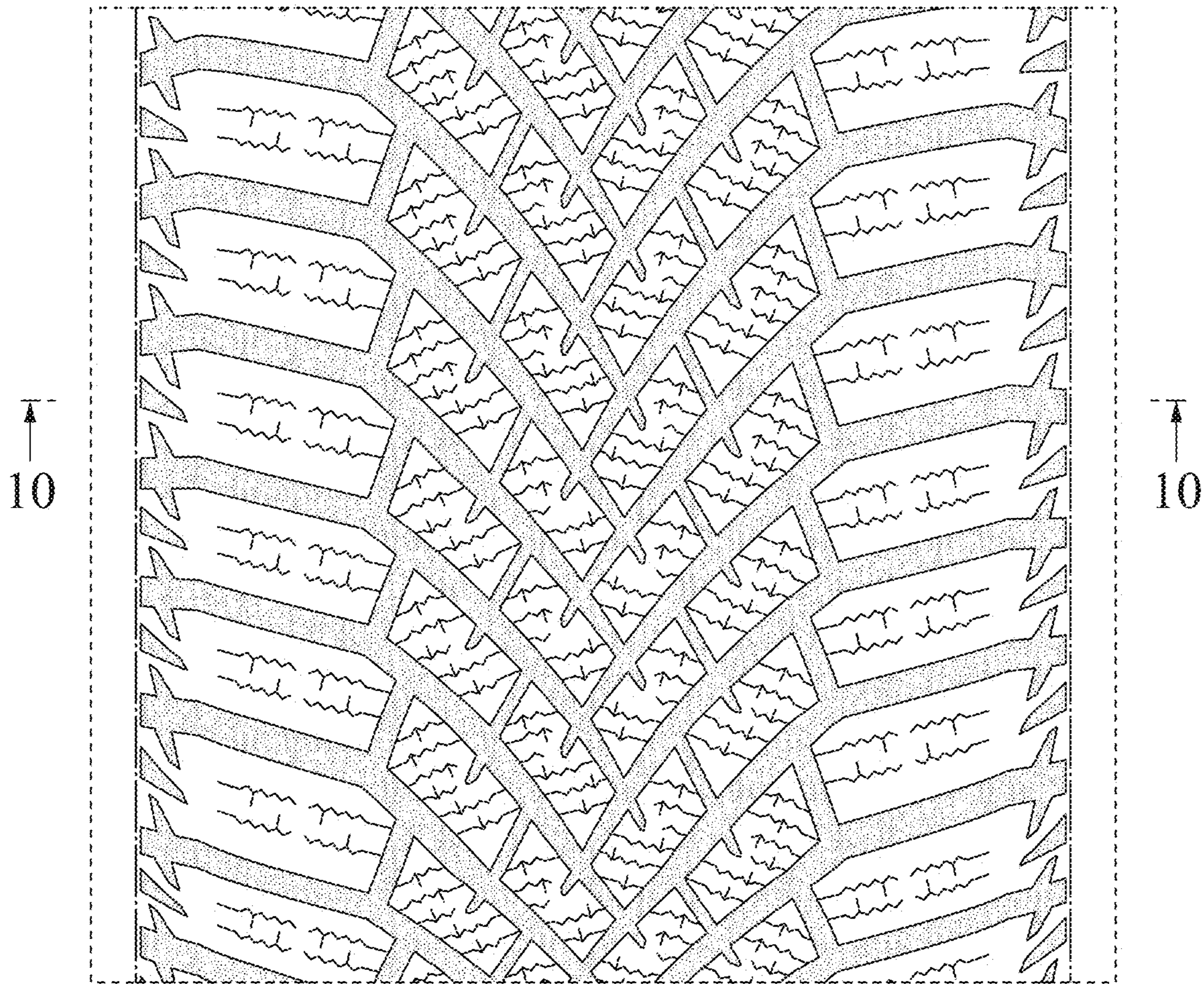


FIG. 10

