

US00D956665S

(12) **United States Design Patent**
Dubreuil et al.

(10) **Patent No.:** **US D956,665 S**
(45) **Date of Patent:** **** Jul. 5, 2022**

(54) **TIRE**
(71) Applicant: **The Goodyear Tire & Rubber Company, Akron, OH (US)**
(72) Inventors: **Melodie Dubreuil, Diekirch (LU); Doris Maus, Wasserliesch (DE); Hendrikus Lambertus Johannes Maria De Wit, Diekirch (LU); Wojciech Franciszek Baran, Ettelbruck (LU); Thibaut Bernard Francois, Arlon (BE)**

(73) Assignee: **The Goodyear Tire & Rubber Company, Akron, OH (US)**

(**) Term: **15 Years**

(21) Appl. No.: **29/754,638**

(22) Filed: **Oct. 13, 2020**

(30) **Foreign Application Priority Data**

May 26, 2020 (EM) 0079668170003

(51) **LOC (13) Cl.** **12-15**

(52) **U.S. Cl.**
USPC **D12/521**

(58) **Field of Classification Search**
USPC D12/500-532, 604
CPC Y10T 152/10027; B60C 1/0016; B60C 11/0306; B60C 11/0302; B60C 3/06; B60C 9/17
See application file for complete search history.

(56) **References Cited**

U.S. PATENT DOCUMENTS

D334,360 S 3/1993 Graas et al. D12/146
D397,648 S 9/1998 Allen et al. D12/147

D432,956 S 10/2000 Ricquet D12/141
D432,957 S 10/2000 Ricquet D12/141
D558,127 S 12/2007 Shavers et al. D12/519
D585,361 S * 1/2009 Ho D12/521
D586,726 S 2/2009 Baumard et al. D12/521
D599,276 S 9/2009 Fontaine et al. D12/519
D600,193 S 9/2009 Nukala et al. D12/521
D601,939 S 10/2009 Fontaine et al. D12/519
D609,161 S 2/2010 Fontaine et al. D12/517
D609,627 S 2/2010 Frappart et al. D12/523
D634,699 S 3/2011 Fontaine et al. D12/517
D633,593 S 9/2011 Fontaine et al. D12/523
D659,633 S 5/2012 Bindner et al. D12/521
D665,335 S 8/2012 Baumard et al. D12/517
D665,336 S 8/2012 Skurich et al. D12/523
D667,358 S 9/2012 Fontaine et al. D12/518
D694,702 S * 12/2013 Leconte D12/521
D708,116 S 7/2014 Caron et al. D12/523
D709,434 S * 7/2014 Kato D12/521
D713,778 S 9/2014 Muthigi et al. D12/521

(Continued)

Primary Examiner — John A Voytek

(74) *Attorney, Agent, or Firm* — Robert N. Lipsik; June E. Rickey

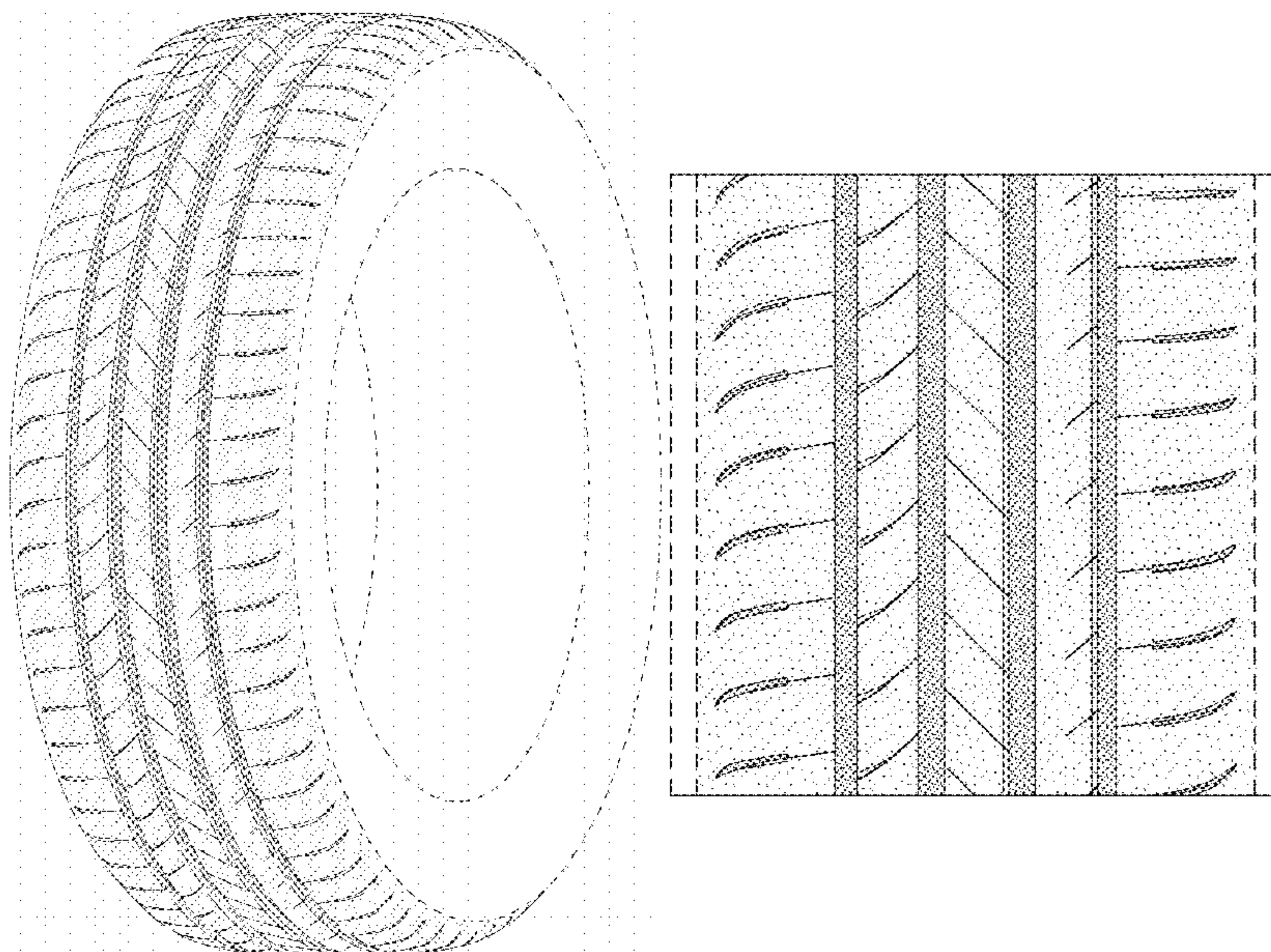
(57) **CLAIM**

The ornamental Design for a tire, as shown and described.

DESCRIPTION

FIG. 1 is a right side perspective view of a tire showing our new design, it being understood that the pattern repeats uniformly throughout the circumference of the tread;
FIG. 2 is a left side perspective view thereof;
FIG. 3 is a front elevational view thereof;
FIG. 4 is a right side elevational view thereof;
FIG. 5 is a left side elevational view thereof; and,
FIG. 6 is an enlarged fragmentary front elevational view thereof taken along line 6-6 of FIG. 3.
The dashed broken lines indicating an enlargement portion of the design form no part of the claimed design.

1 Claim, 6 Drawing Sheets



(56)

References Cited

U.S. PATENT DOCUMENTS

D728,453	S	5/2015	Maxwell et al.	D12/523
D731,955	S	6/2015	Zhao et al.	D12/519
D737,751	S *	9/2015	Bourel	D12/521
D743,873	S	11/2015	Majerus et al.	D12/523
D768,054	S	10/2016	Wang et al.	D12/523
D771,555	S	11/2016	Neary et al.	D12/584
D780,091	S *	2/2017	Colletti	D12/521
D784,911	S *	4/2017	Hayashi	D12/521
D785,544	S *	5/2017	Hayashi	D12/521
D787,425	S *	5/2017	Kossi	D12/523
D795,164	S	8/2017	Philipot et al.	D12/521
D795,165	S	8/2017	Philipot et al.	D12/521
D799,407	S	10/2017	Philipot et al.	D12/521
D806,003	S	12/2017	Pribula	D12/521
D811,989	S	3/2018	Kim	D12/521
D815,584	S *	4/2018	Hayashi	D12/521
D815,585	S *	4/2018	Schuessler	D12/521
D851,576	S *	6/2019	Besset	D12/565
D853,314	S	7/2019	Raatikainen et al.	D12/523
D861,577	S *	10/2019	Colombo	D12/521
D870,647	S	12/2019	Wang et al.	D12/521
D886,028	S *	6/2020	Sadananda	D12/521
D887,342	S	6/2020	Moia et al.	D12/521
D892,029	S	8/2020	Soo et al.	D12/521
D892,030	S *	8/2020	Sabetti	D12/521
D892,031	S *	8/2020	Sabetti	D12/521
D892,713	S *	8/2020	Sabetti	D12/521
D896,736	S *	9/2020	Tanaka	D12/521
D908,596	S *	1/2021	Kwak	D12/517
D914,583	S *	3/2021	Qin	D12/521
D926,669	S *	8/2021	Fujita	D12/523
2020/0307319	A1 *	10/2020	Reichling	B60C 11/04

* cited by examiner

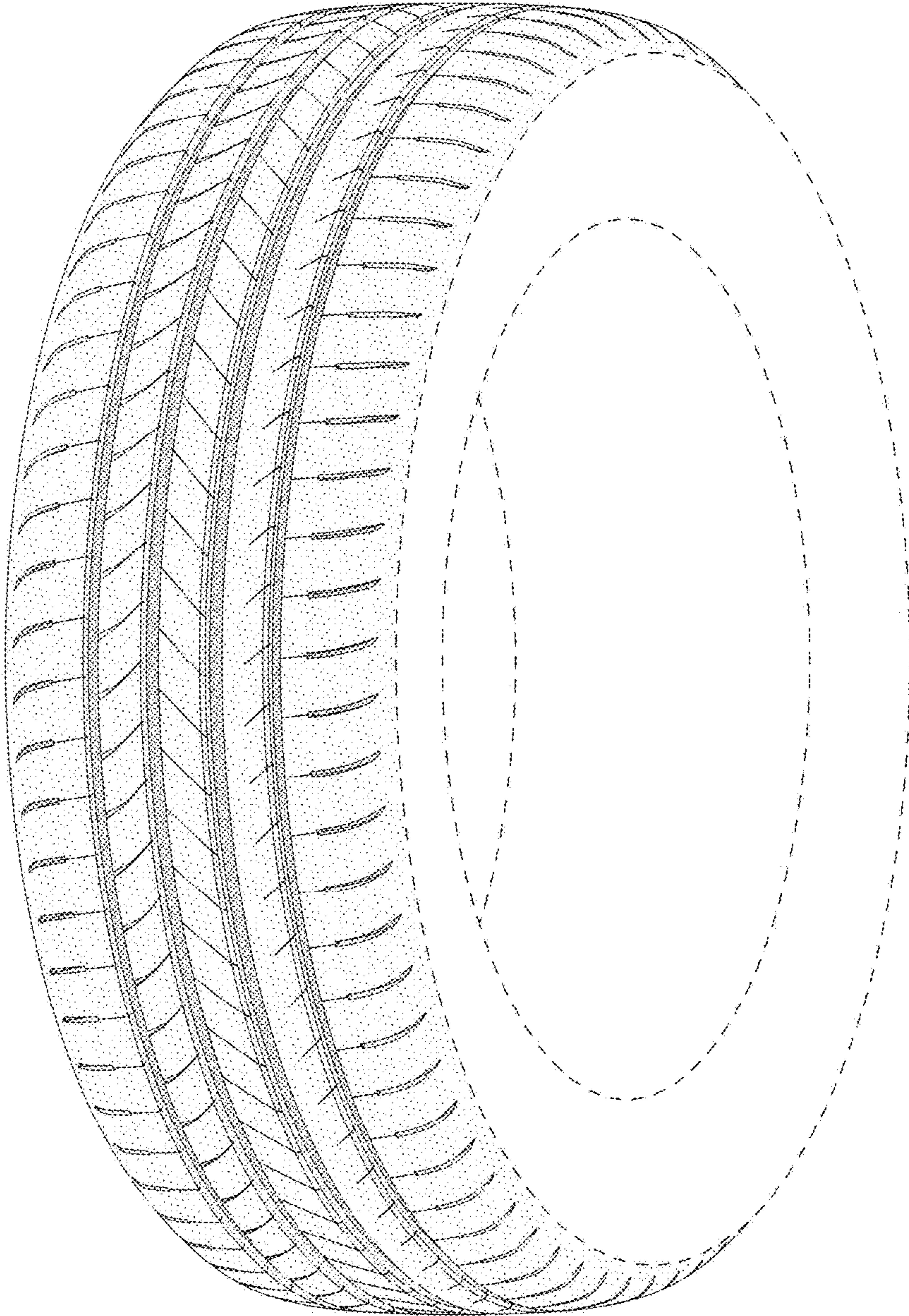


FIG - 1

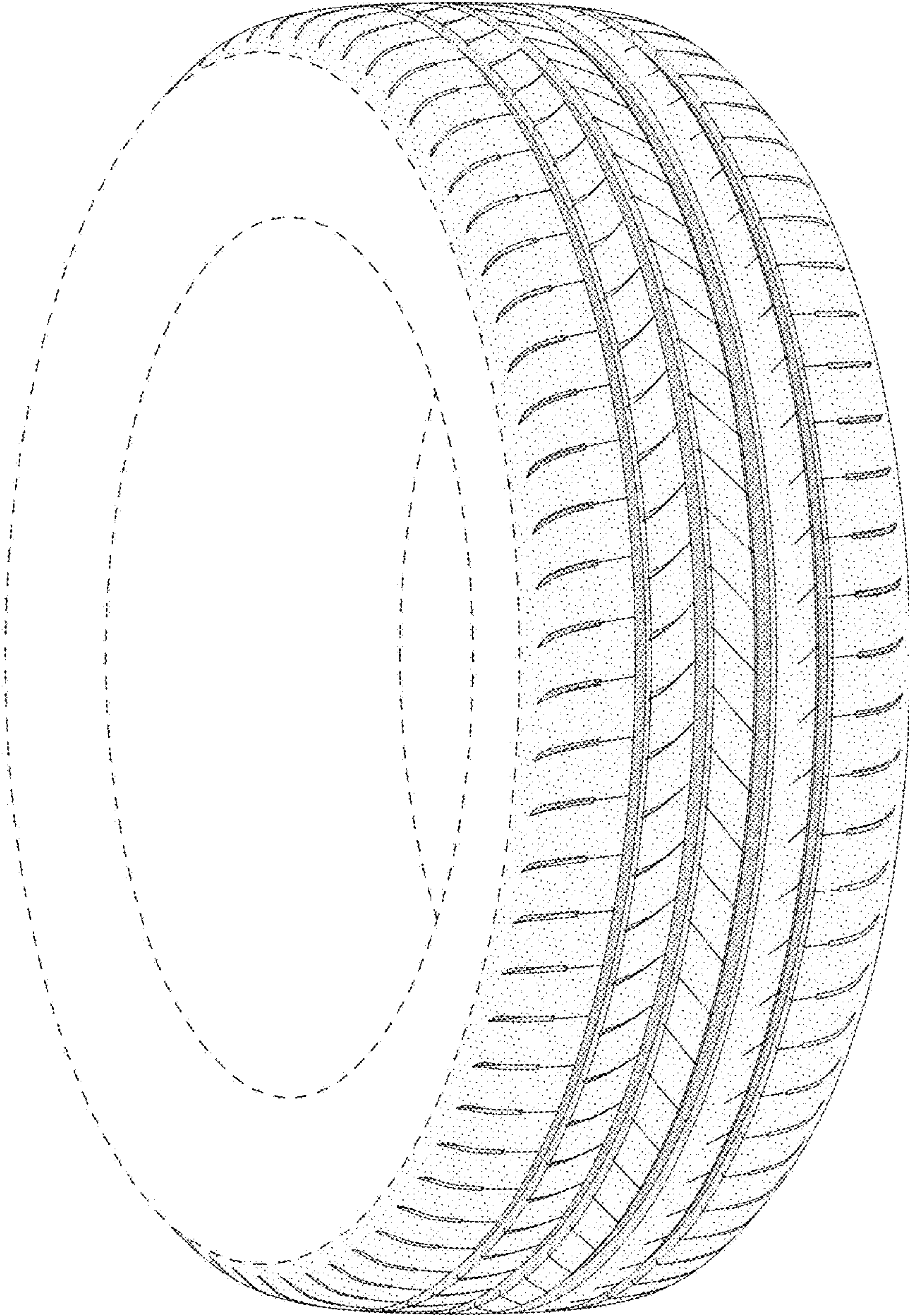


FIG - 2

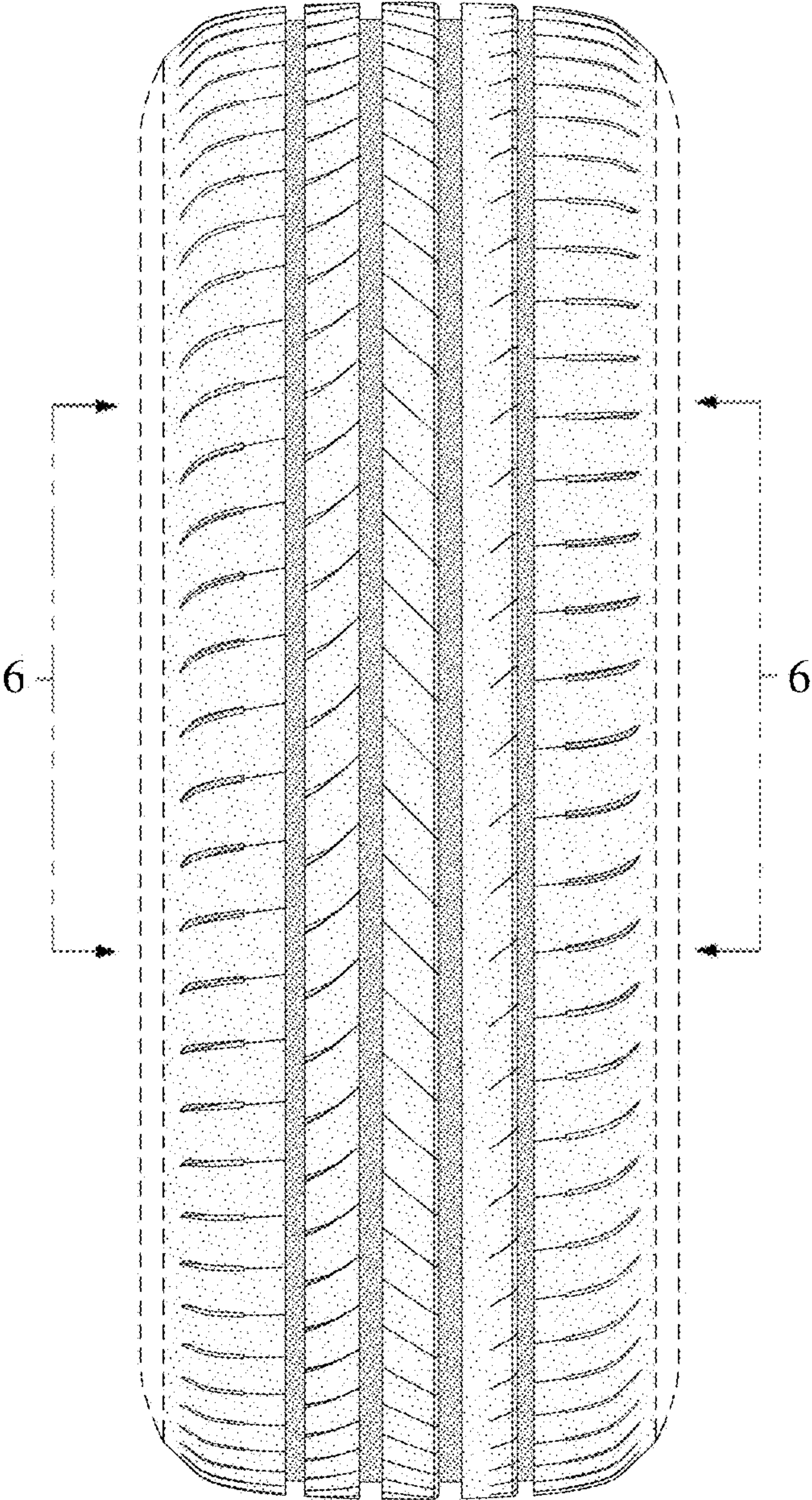


FIG - 3

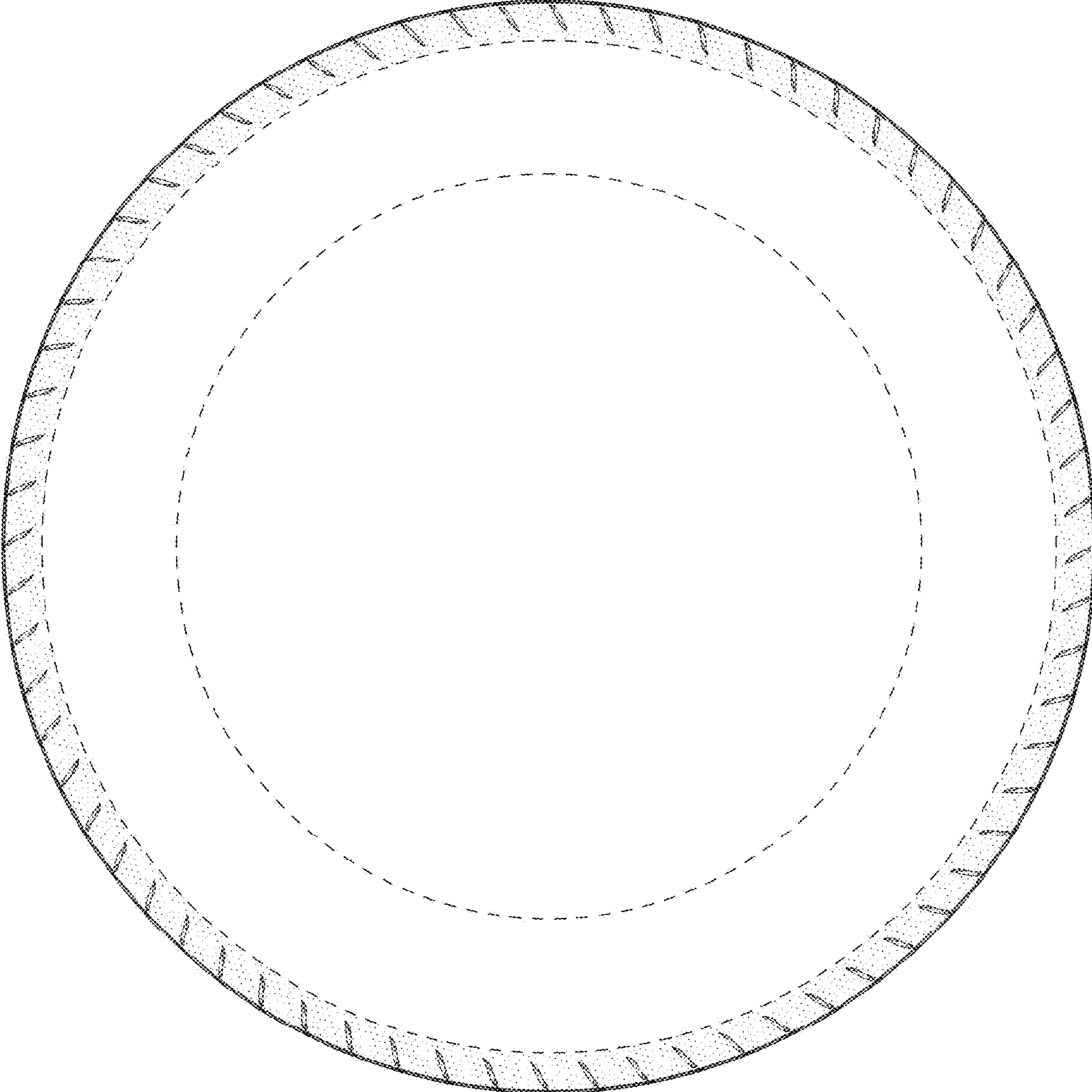


FIG - 4

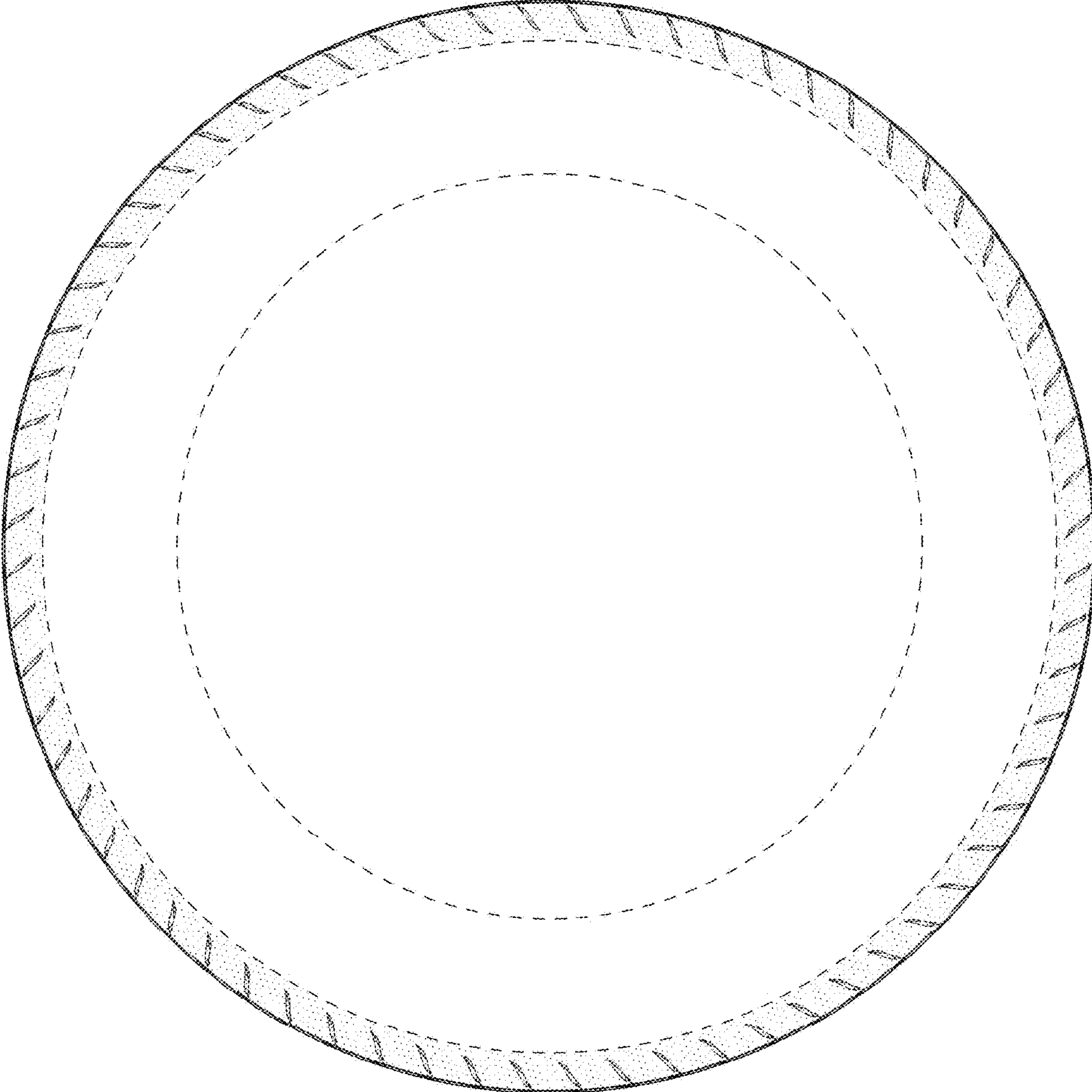


FIG - 5

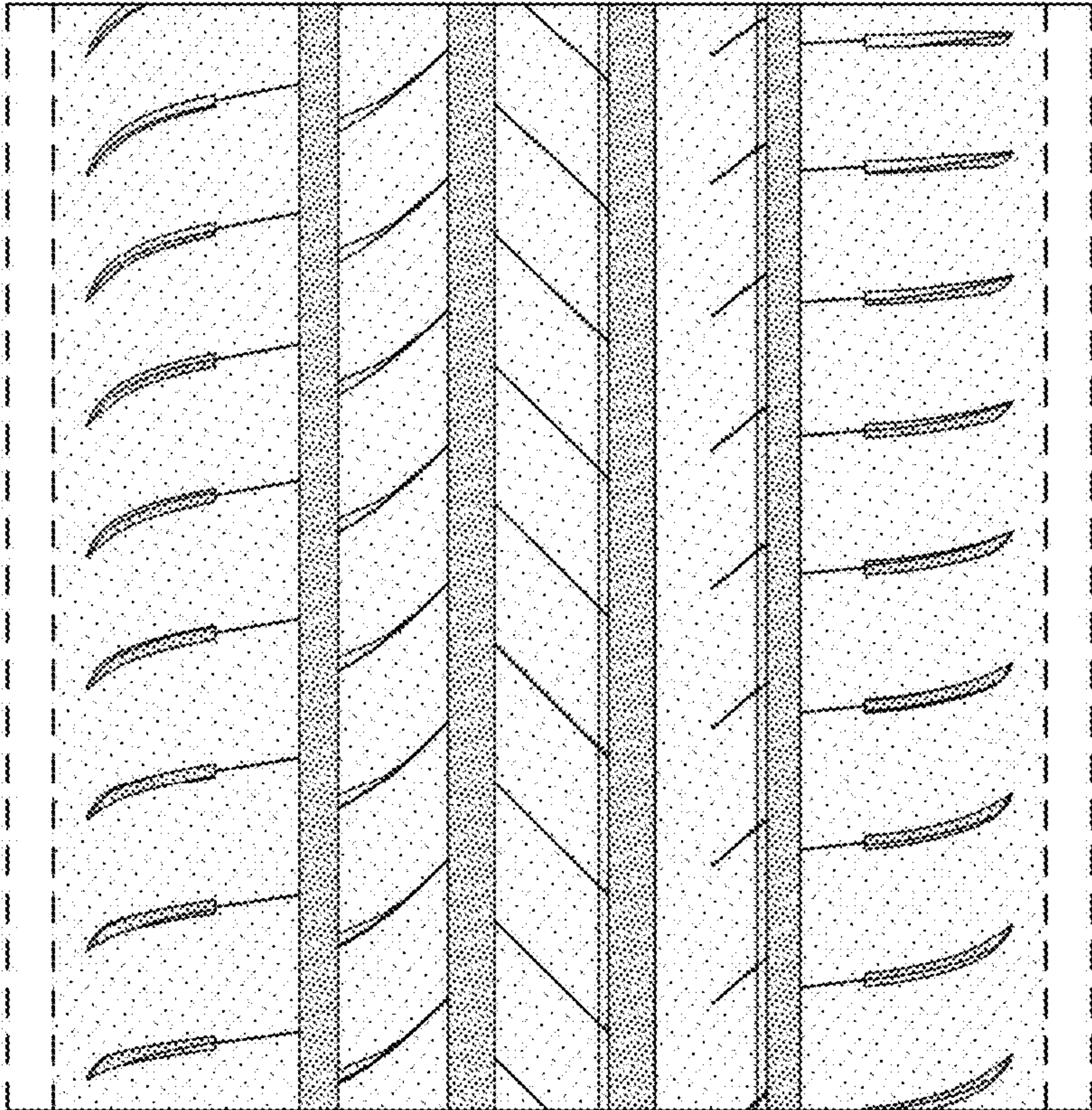


FIG - 6