



US00D956660S

(12) **United States Design Patent** (10) **Patent No.:** **US D956,660 S**
Liu (45) **Date of Patent:** **** Jul. 5, 2022**

(54) **STORAGE BAG FOR MOBILE PHONE**

(71) Applicant: **Xiaoxing Liu**, Jiangxi (CN)

(72) Inventor: **Xiaoxing Liu**, Jiangxi (CN)

(**) Term: **15 Years**

(21) Appl. No.: **29/762,521**

(22) Filed: **Dec. 17, 2020**

(51) **LOC (13) Cl.** **12-16**

(52) **U.S. Cl.**

USPC **D12/409**

(58) **Field of Classification Search**

USPC D3/213–218, 221, 224–228, 254, 273,
D3/293–294, 300, 303, 318, 321, 327;
D12/407, 409–410; D14/253
CPC A45F 5/00; A45F 5/02; A45F 5/021; A45F
2200/0516; B60R 11/00; B60R 11/02;
B60R 11/07; B60R 11/0241; B60R
11/0252; H05K 7/00; F16M 11/00; F16M
11/04; F16M 11/06; H04M 1/02; H04M
1/04

See application file for complete search history.

(56) **References Cited**

U.S. PATENT DOCUMENTS

D525,422 S *	7/2006	Williams	D3/218
D675,147 S *	1/2013	Olschansky	D12/407
D696,180 S *	12/2013	Boyd	D12/410
D697,305 S *	1/2014	Culver	D2/639
D860,870 S *	9/2019	Zhou	D12/114
D861,541 S *	10/2019	Yan	D12/114
D881,868 S *	4/2020	Zhang	D3/218
D928,041 S *	8/2021	Jones	D12/114
D934,229 S *	10/2021	Chapuis	D14/447
D938,891 S *	12/2021	Fang	D12/407

D942,440 S *	2/2022	Chapuis	D14/447
2007/0125816 A1 *	6/2007	Myers	A44C 5/0007 224/267
2012/0262618 A1 *	10/2012	Weakly	H04N 5/2252 348/E5.022
2016/0213134 A1 *	7/2016	King	A45F 5/00
2017/0120980 A1 *	5/2017	Karl	B62J 45/10

FOREIGN PATENT DOCUMENTS

CN	304432119	*	12/2017
EM	008282693-0002	*	11/2020

OTHER PUBLICATIONS

ROCKBROS Top Tube Bike Phone Bag, first available Mar. 8, 2021, amazon.com [online], [site visited Mar. 4, 2022], Available at URL: <https://www.amazon.com/ROCKBROS-Bicycle-Accessories-Adjustable-Compatible/dp/B08YJTRKFX> (Year: 2021).*

* cited by examiner

Primary Examiner — Jeffrey D Asch
Assistant Examiner — Caitlin A Laverty

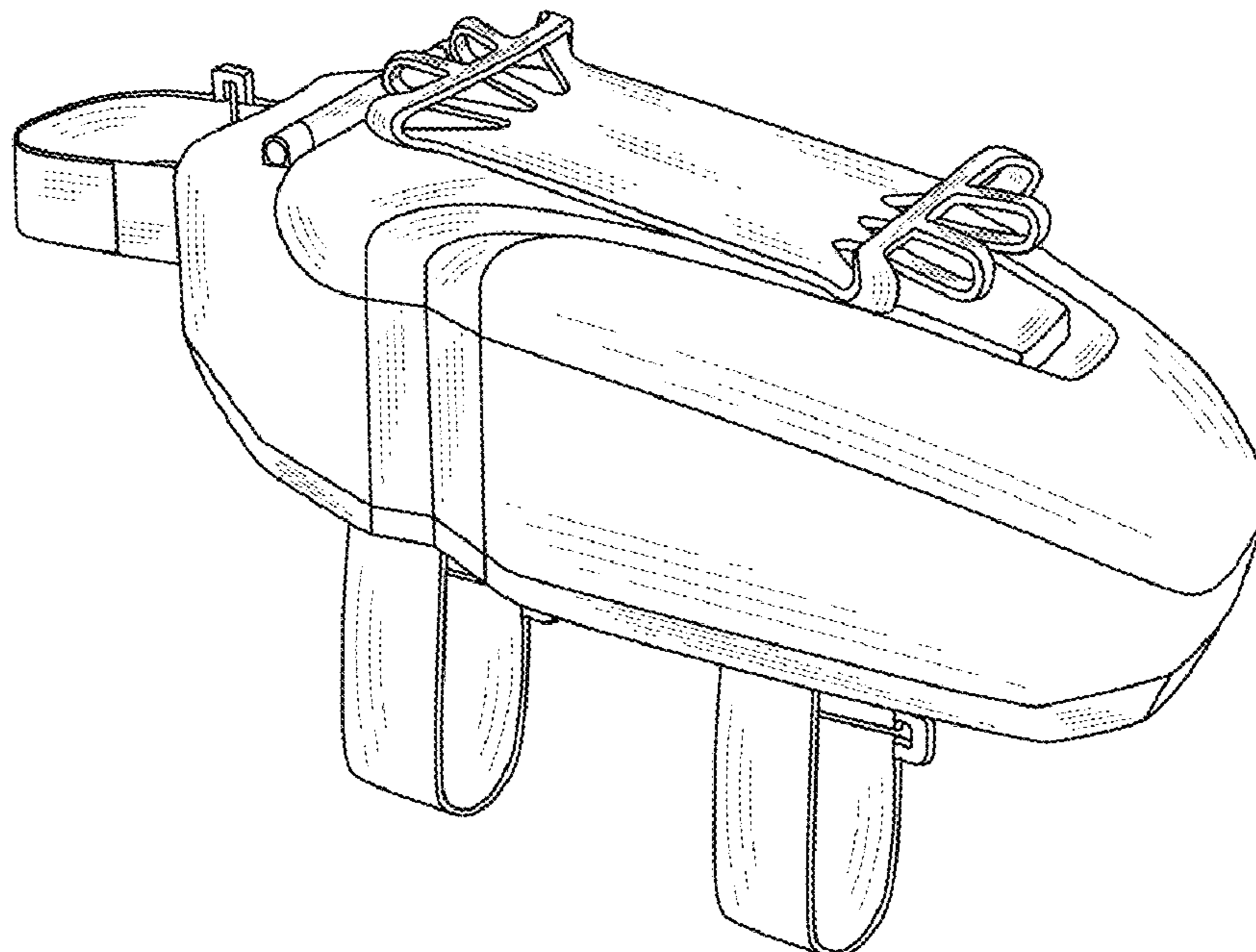
(57) **CLAIM**

The ornamental design for a storage bag for mobile phone, as shown and described.

DESCRIPTION

FIG. 1 is a perspective view of a storage bag for mobile phone showing my new design;
FIG. 2 is a front elevation view thereof;
FIG. 3 is a rear elevation view thereof;
FIG. 4 is a left side elevation view thereof;
FIG. 5 is a right side elevation view thereof;
FIG. 6 is a top plan view thereof; and,
FIG. 7 is a bottom plan view thereof.

1 Claim, 7 Drawing Sheets



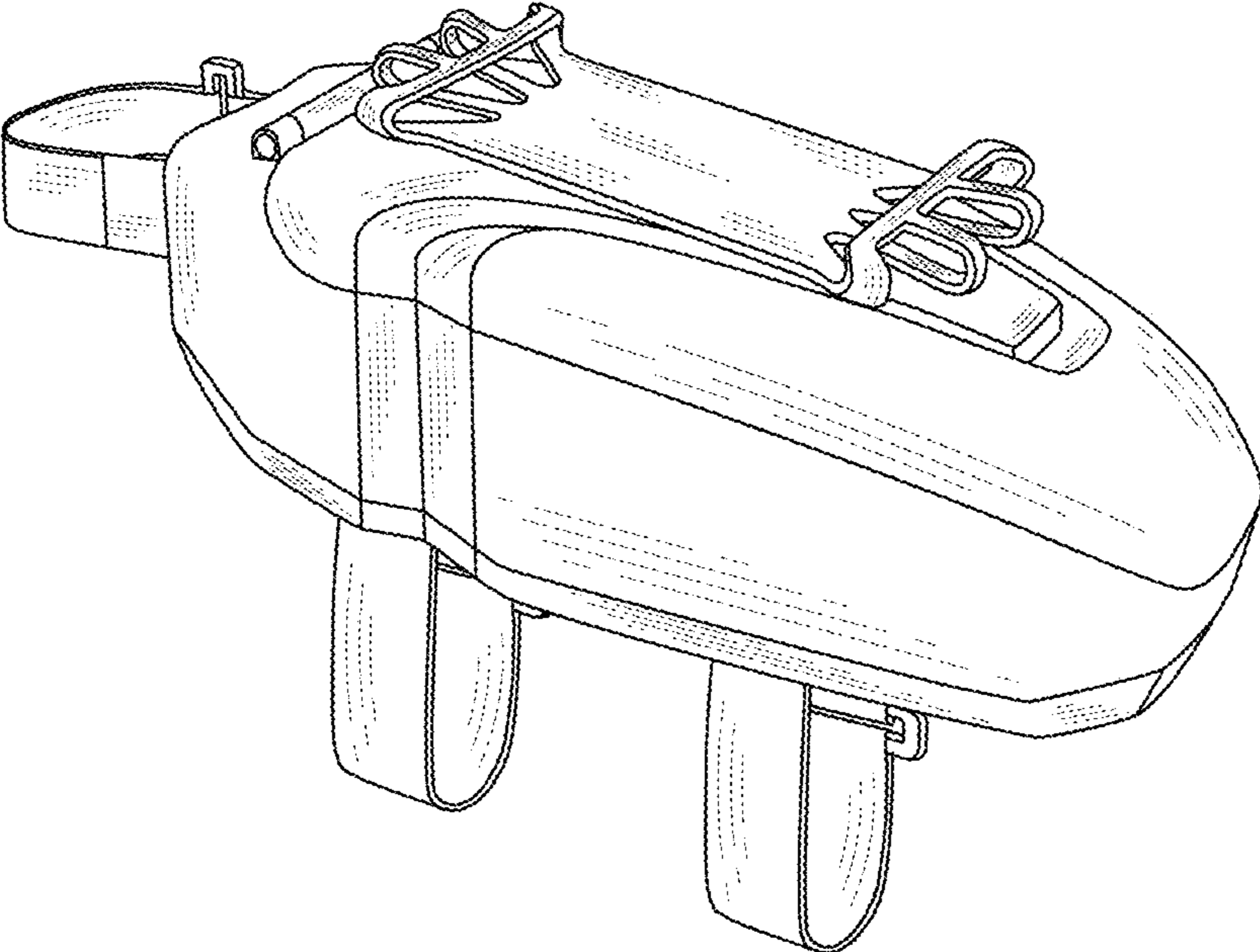


FIG. 1

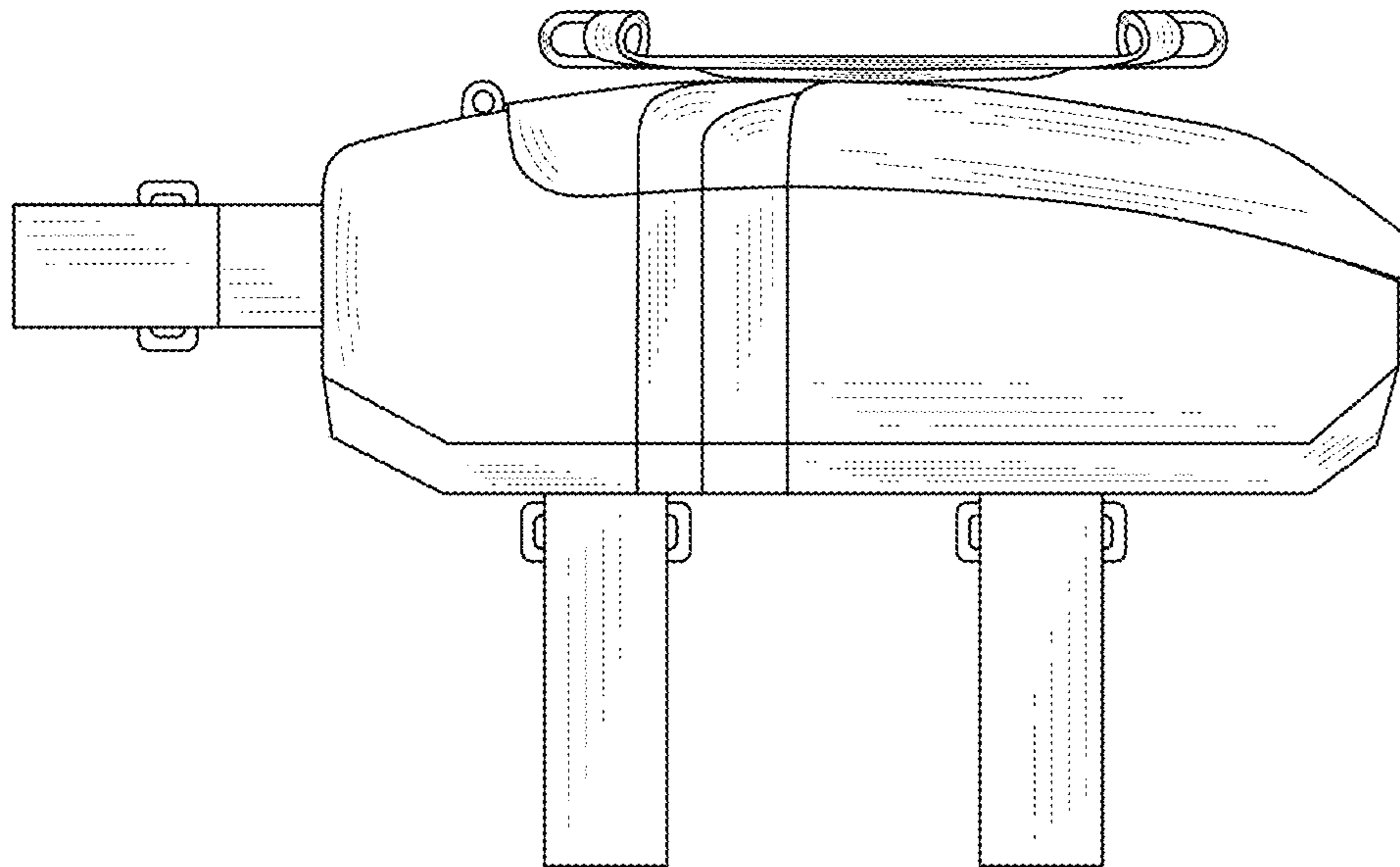


FIG. 2

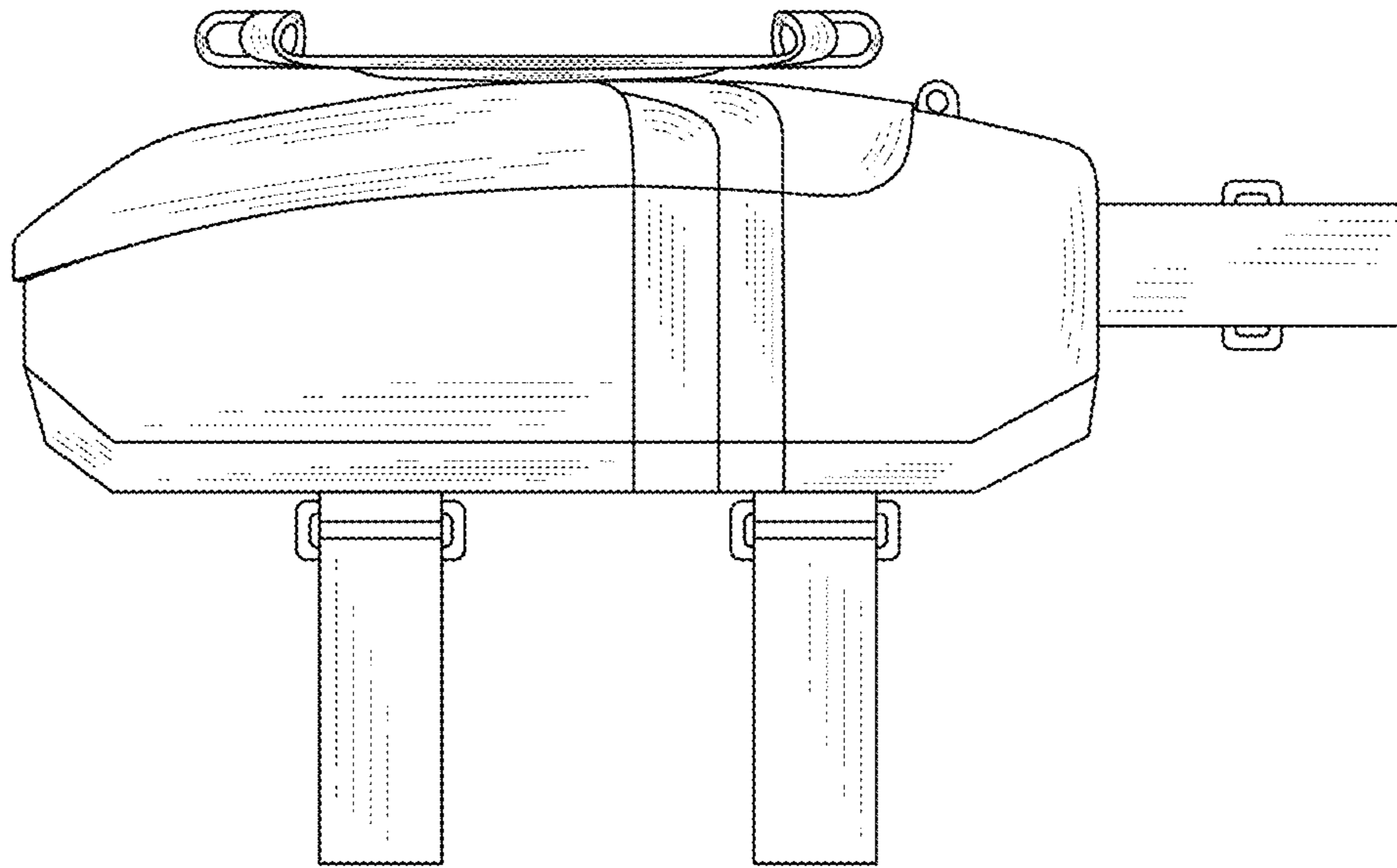


FIG. 3

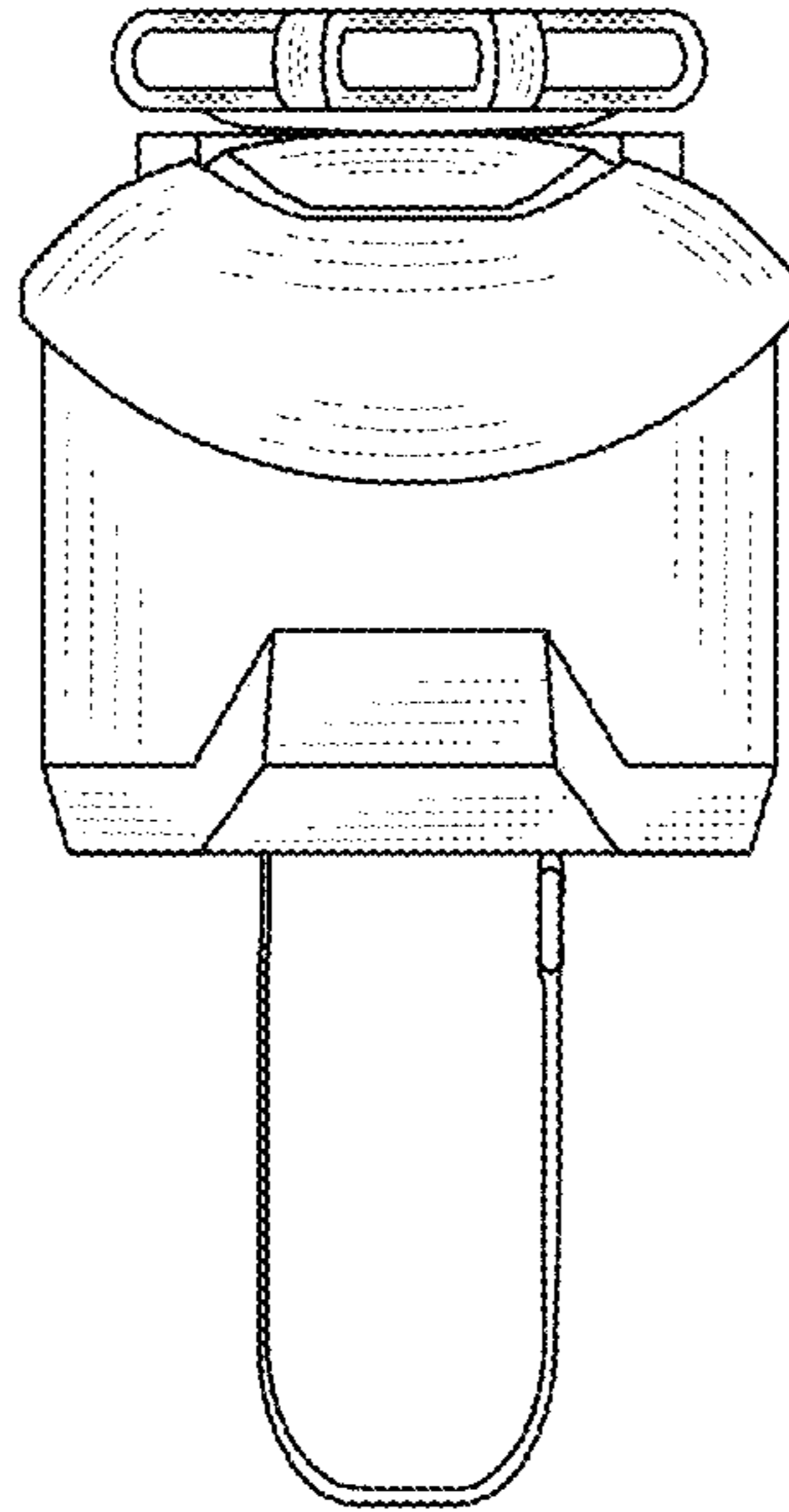


FIG. 4

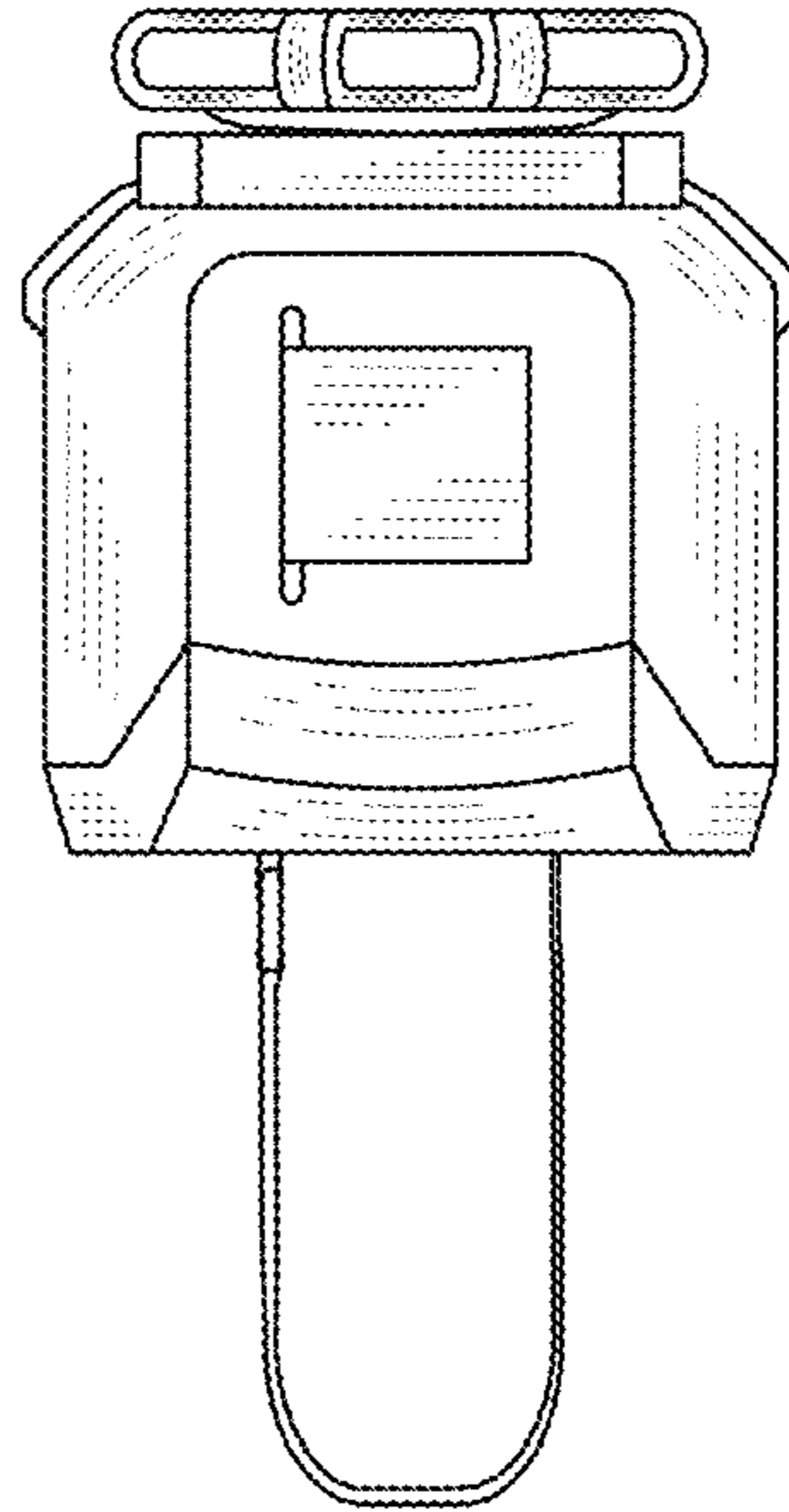


FIG. 5

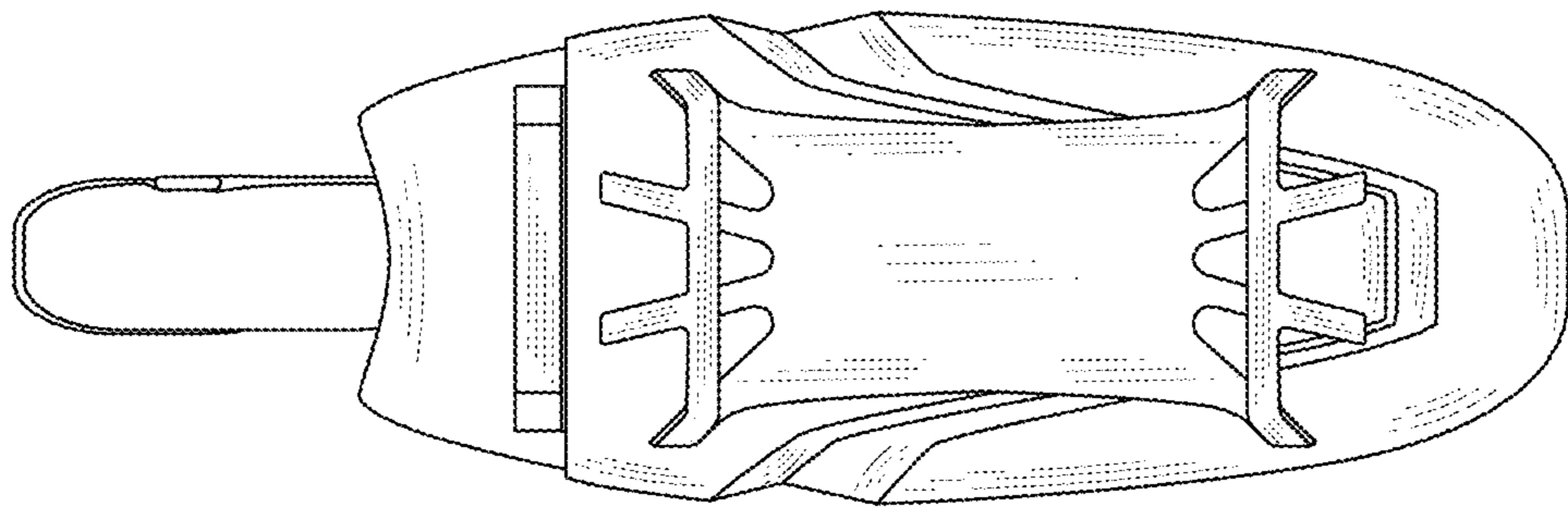


FIG. 6

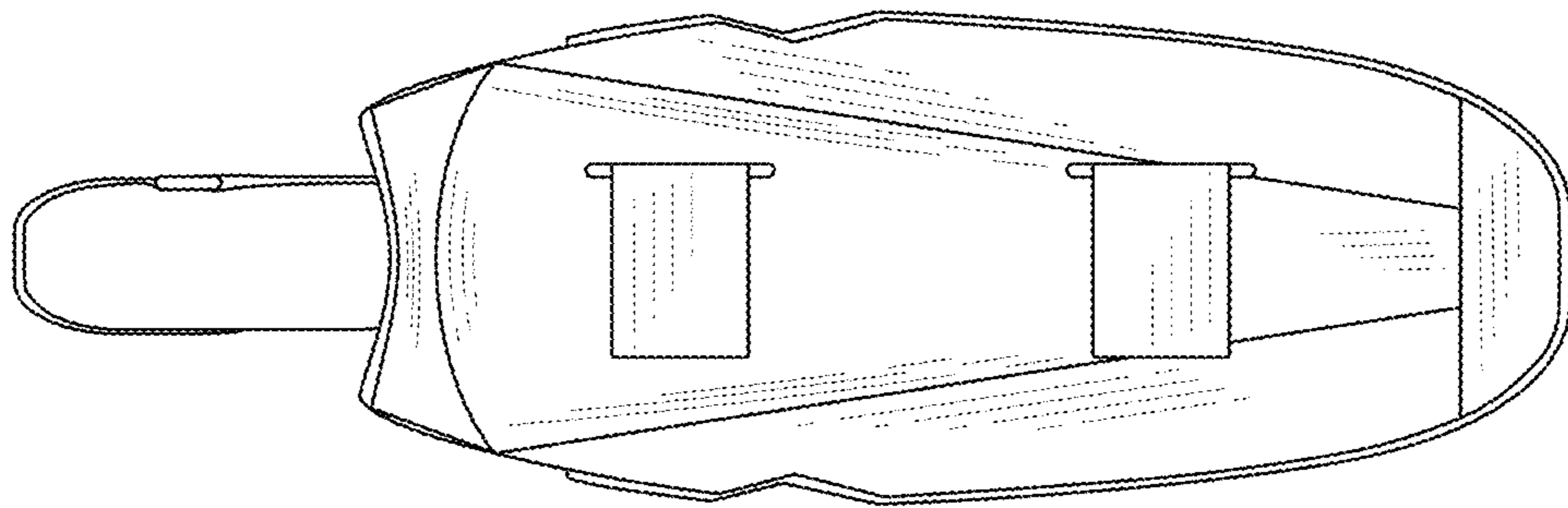


FIG. 7