



US00D956659S

(12) **United States Design Patent** (10) **Patent No.:** **US D956,659 S**
Zhou (45) **Date of Patent:** **** Jul. 5, 2022**

(54) **BICYCLE RACK**
(71) Applicant: **FOSHAN ZENITH SPORTS CO., LTD.**, Foshan (CN)
(72) Inventor: **Kunhua Zhou**, Foshan (CN)
(73) Assignee: **FOSHAN ZENITH SPORTS CO., LTD.**, Foshan (CN)
(**) Term: **15 Years**
(21) Appl. No.: **29/759,989**
(22) Filed: **Nov. 27, 2020**
(51) **LOC (13) Cl.** **12-11**
(52) **U.S. Cl.**
USPC **D12/407**
(58) **Field of Classification Search**
USPC D12/115, 120, 111, 402, 406, 407
CPC ... B62H 3/00; B62H 3/04; B62H 3/08; B62H 3/10; B60R 9/06; B60R 9/10
See application file for complete search history.

D517,452 S * 3/2006 Hickman D12/111
D585,793 S * 2/2009 Skalka B62H 3/08
D12/115
D637,527 S * 5/2011 Choi D12/111
D667,347 S * 9/2012 Simko D12/111
D719,880 S * 12/2014 Juarez D12/111
D720,657 S * 1/2015 Kahler, Jr. D12/111
D724,498 S * 3/2015 Eagleman D12/111
D726,075 S * 4/2015 D'Aluisio D12/111
D734,218 S * 7/2015 D'Aluisio D12/111
D734,692 S * 7/2015 D'Aluisio D12/111
D785,509 S * 5/2017 Juhlin D12/111
D797,610 S * 9/2017 Jankura D12/111
D801,875 S * 11/2017 Pfeiffer D12/111
D843,893 S * 3/2019 Reiter D12/111
2007/0228689 A1* 10/2007 Lin B62K 3/04
280/281.1

* cited by examiner

Primary Examiner — Michelle E. Wilson
Assistant Examiner — Clese Moore, Jr.

(57) **CLAIM**

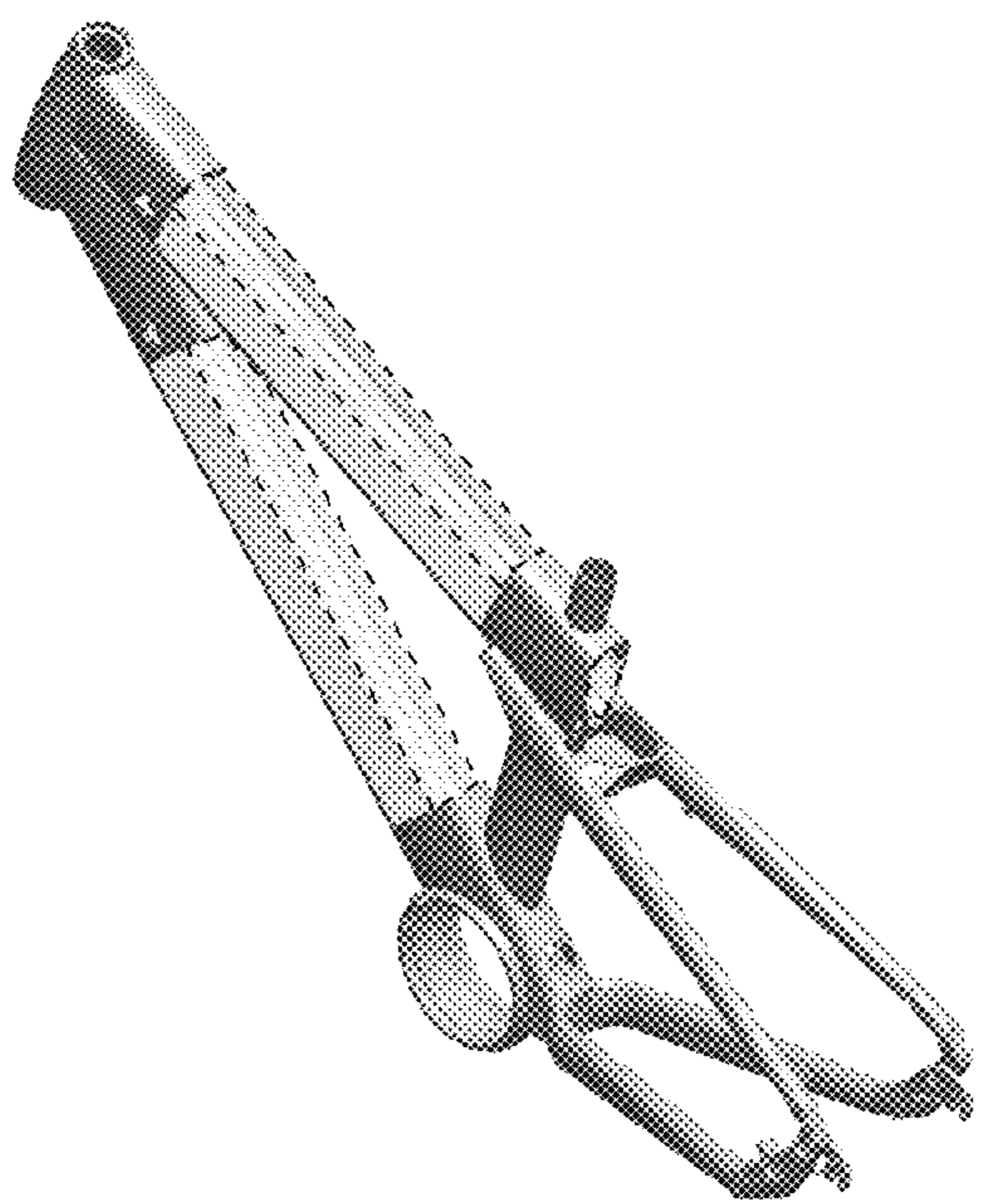
The ornamental design for a bicycle rack, as shown and described.

DESCRIPTION

FIG. 1 is a perspective view of a bicycle rack showing my new design;
FIG. 2 is another perspective view thereof;
FIG. 3 is a front elevational view thereof;
FIG. 4 is a rear elevational view thereof;
FIG. 5 is a left side elevational view thereof;
FIG. 6 is a right side elevational view thereof;
FIG. 7 is a top plan view thereof;
FIG. 8 is a bottom plan view thereof; and,
FIG. 9 is another perspective view thereof.
The broken lines and areas within the broken lines form no part of the claimed design.

1 Claim, 9 Drawing Sheets

(56) **References Cited**
U.S. PATENT DOCUMENTS
5,368,804 A * 11/1994 Hwang B29C 70/446
156/156
D384,307 S * 9/1997 Fisher D12/111
D401,893 S * 12/1998 Denney D12/115
D408,762 S * 4/1999 Denney D12/115
D418,778 S * 1/2000 Allen D12/111
D419,110 S * 1/2000 Allen D12/111
D447,095 S * 8/2001 Brusberg D12/120
D449,567 S * 10/2001 Denney D12/115
D456,316 S * 4/2002 Will D12/115
D497,873 S * 11/2004 Graber B62H 3/00
D12/407
D502,127 S * 2/2005 Pappas B62H 3/10
D12/115



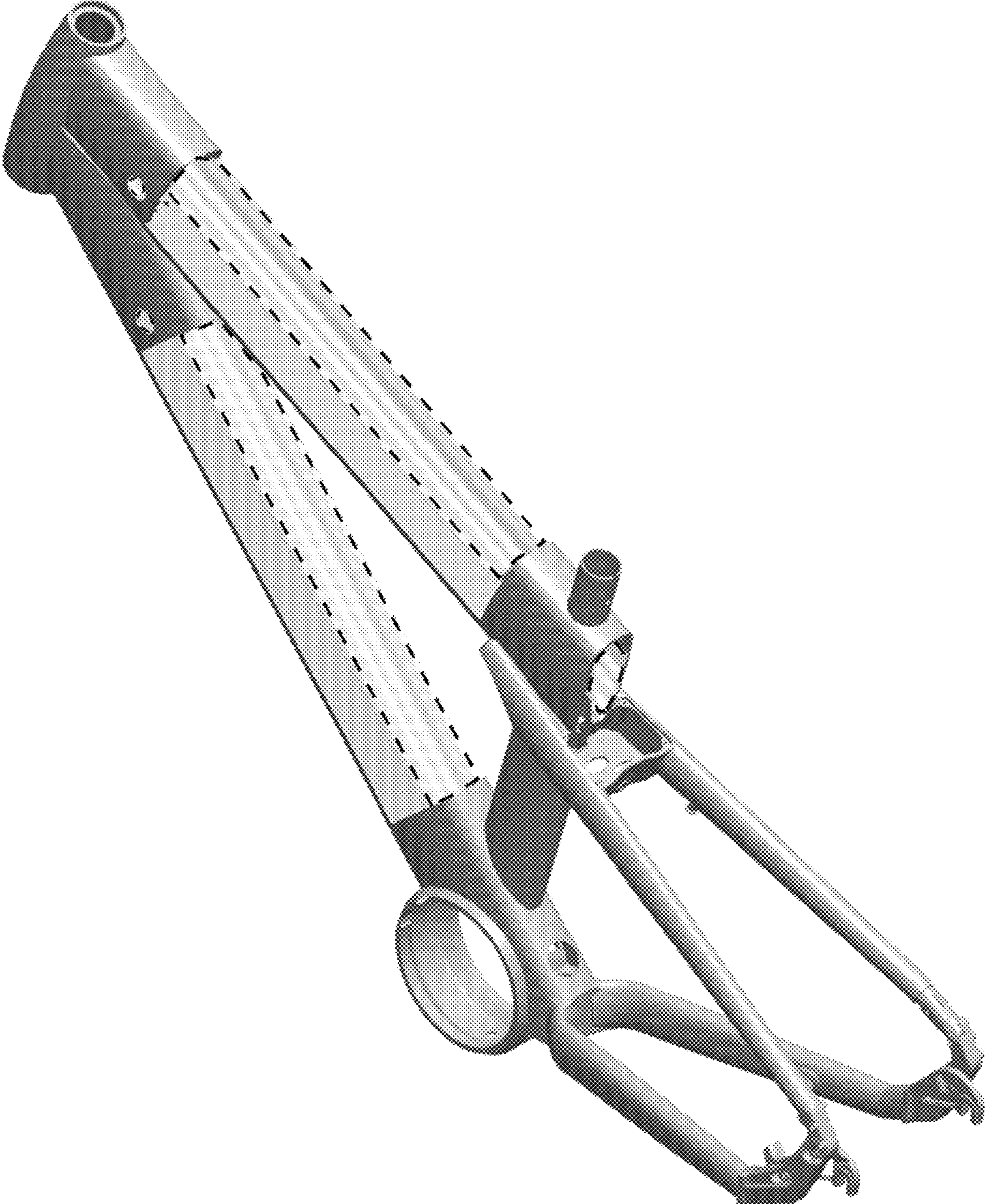


FIG. 1

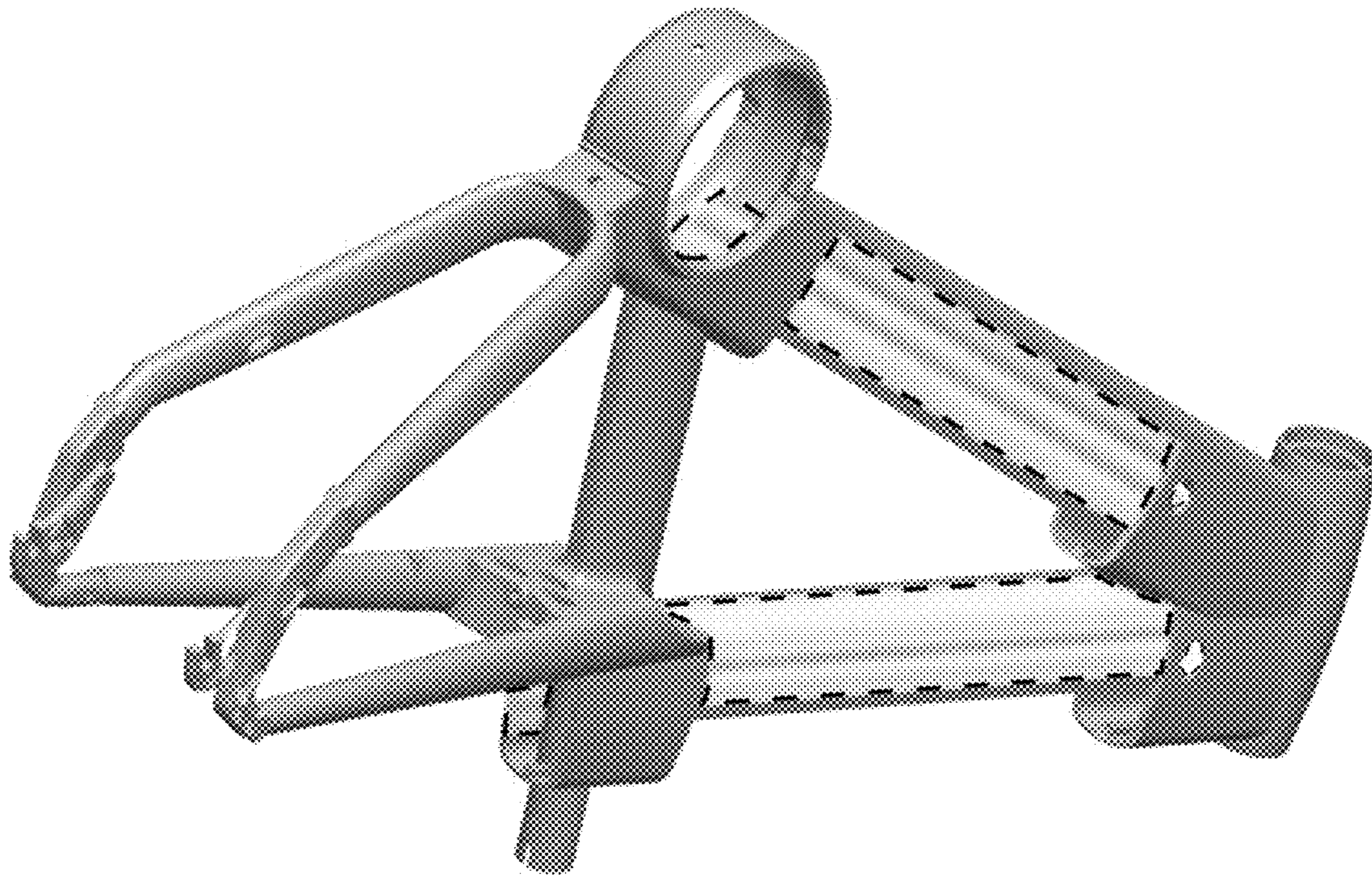


FIG. 2

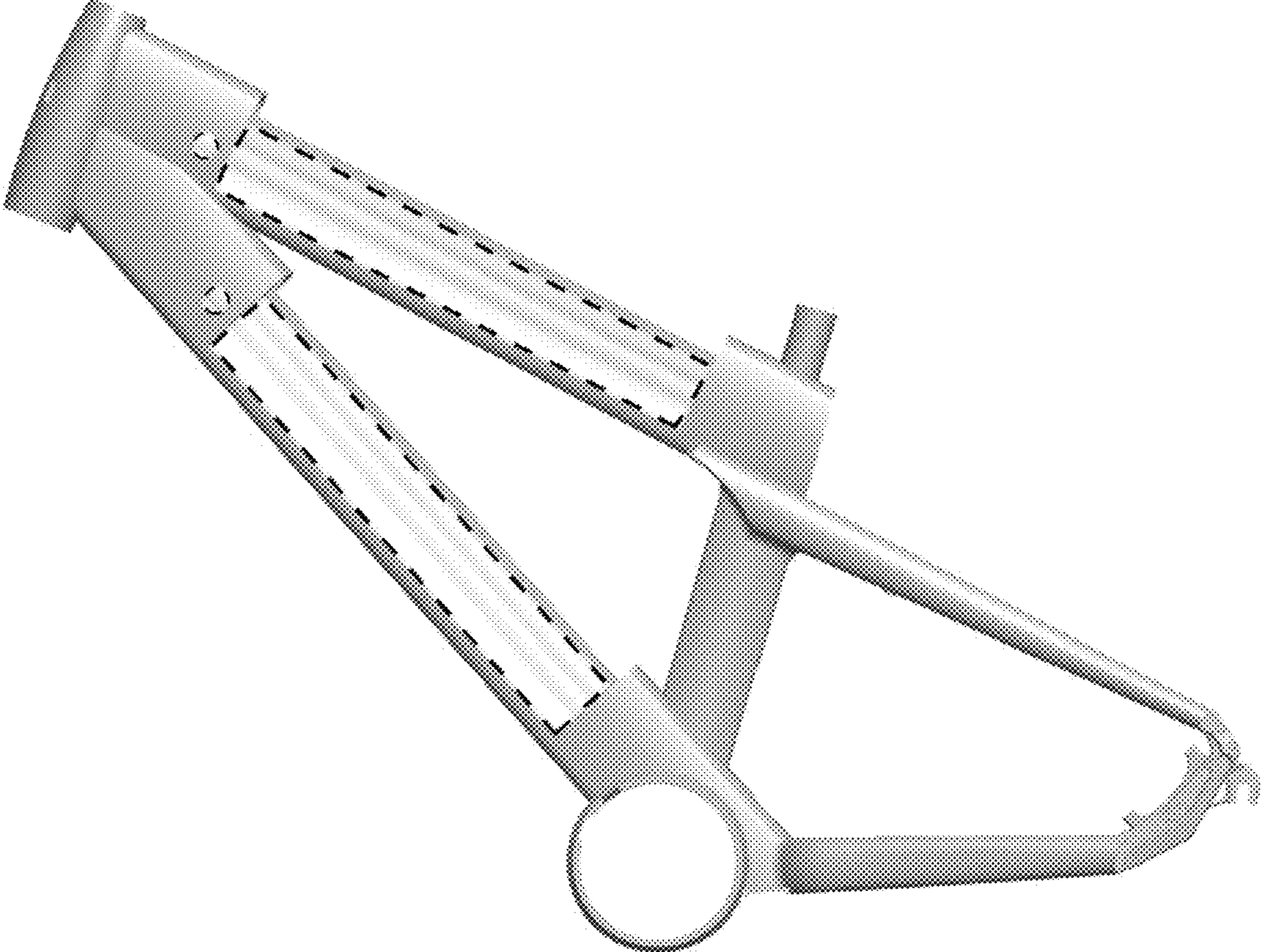


FIG. 3

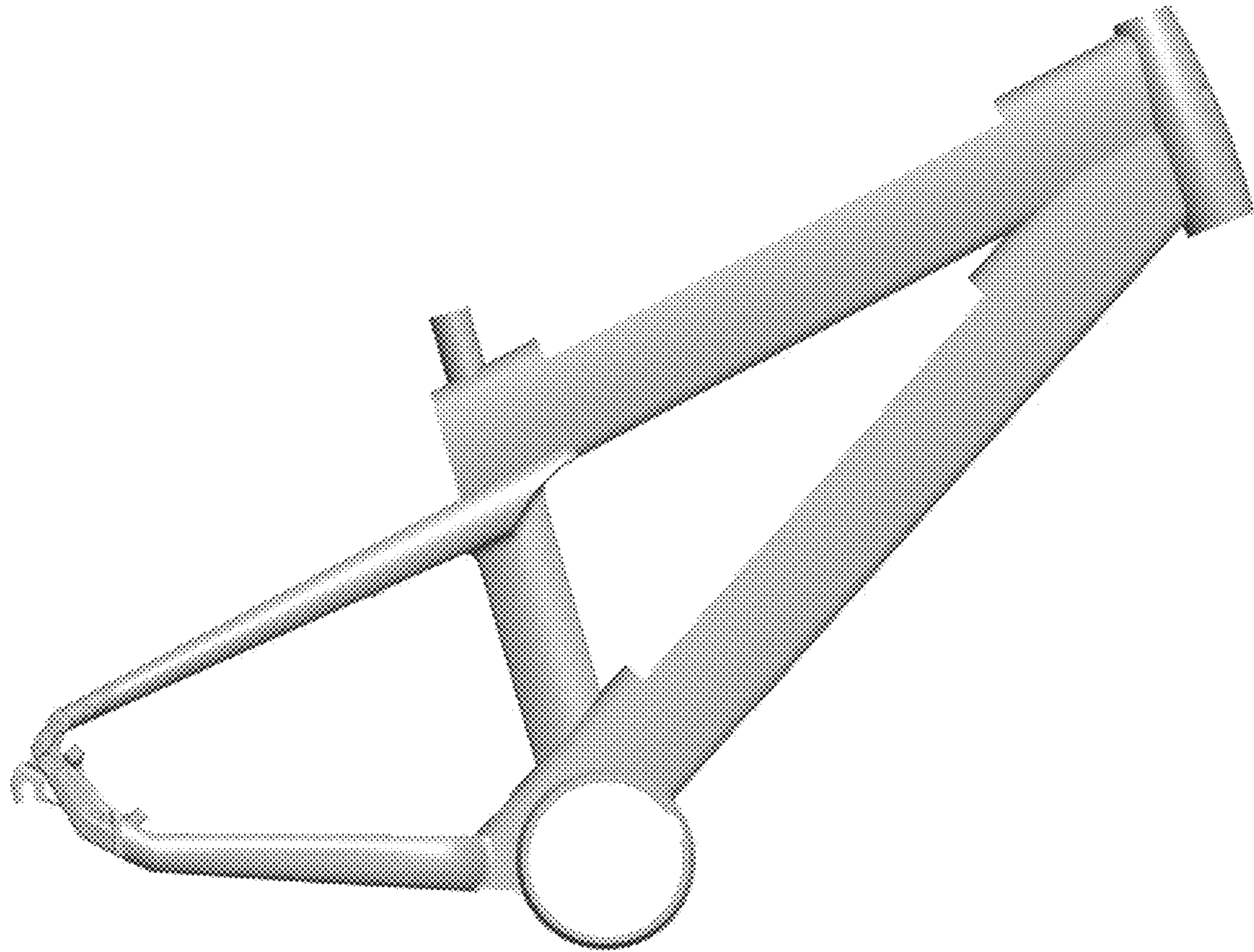


FIG. 4

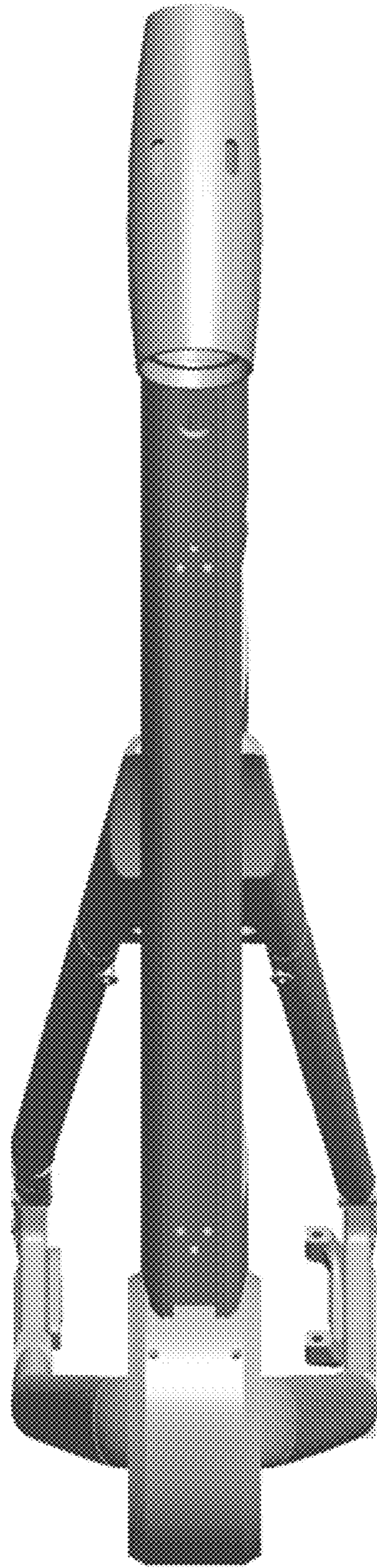


FIG. 5

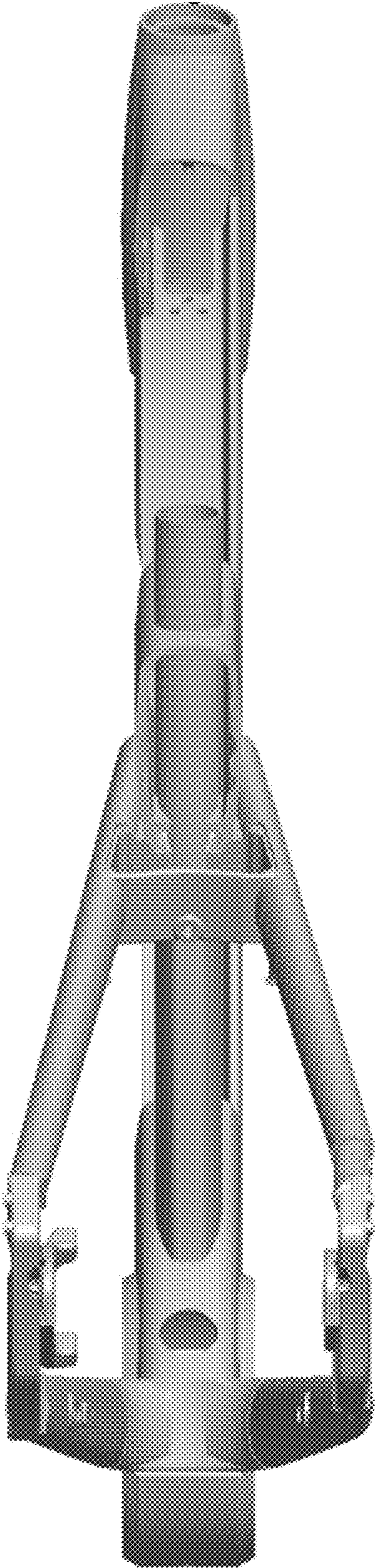


FIG. 6

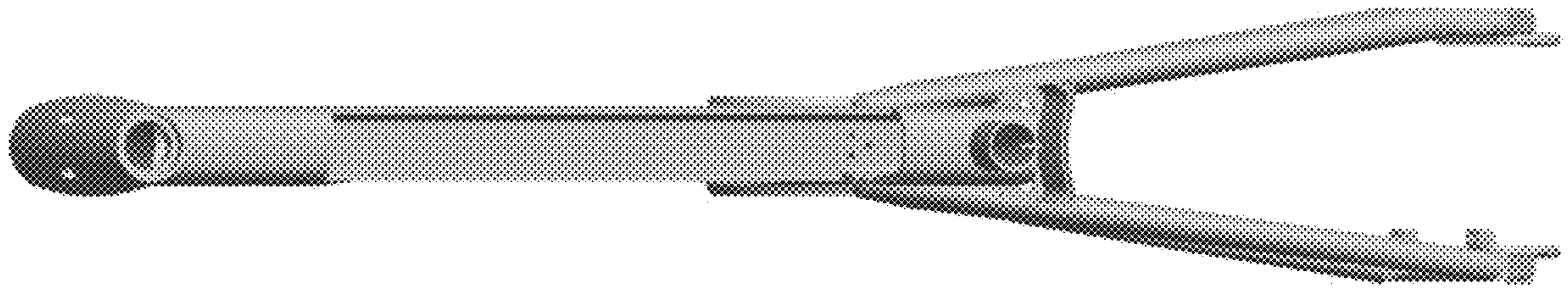


FIG. 7

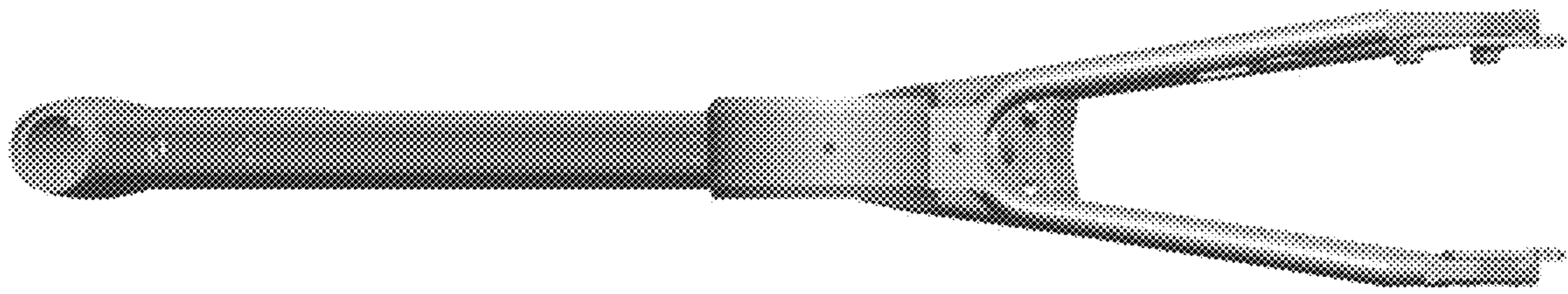


FIG. 8

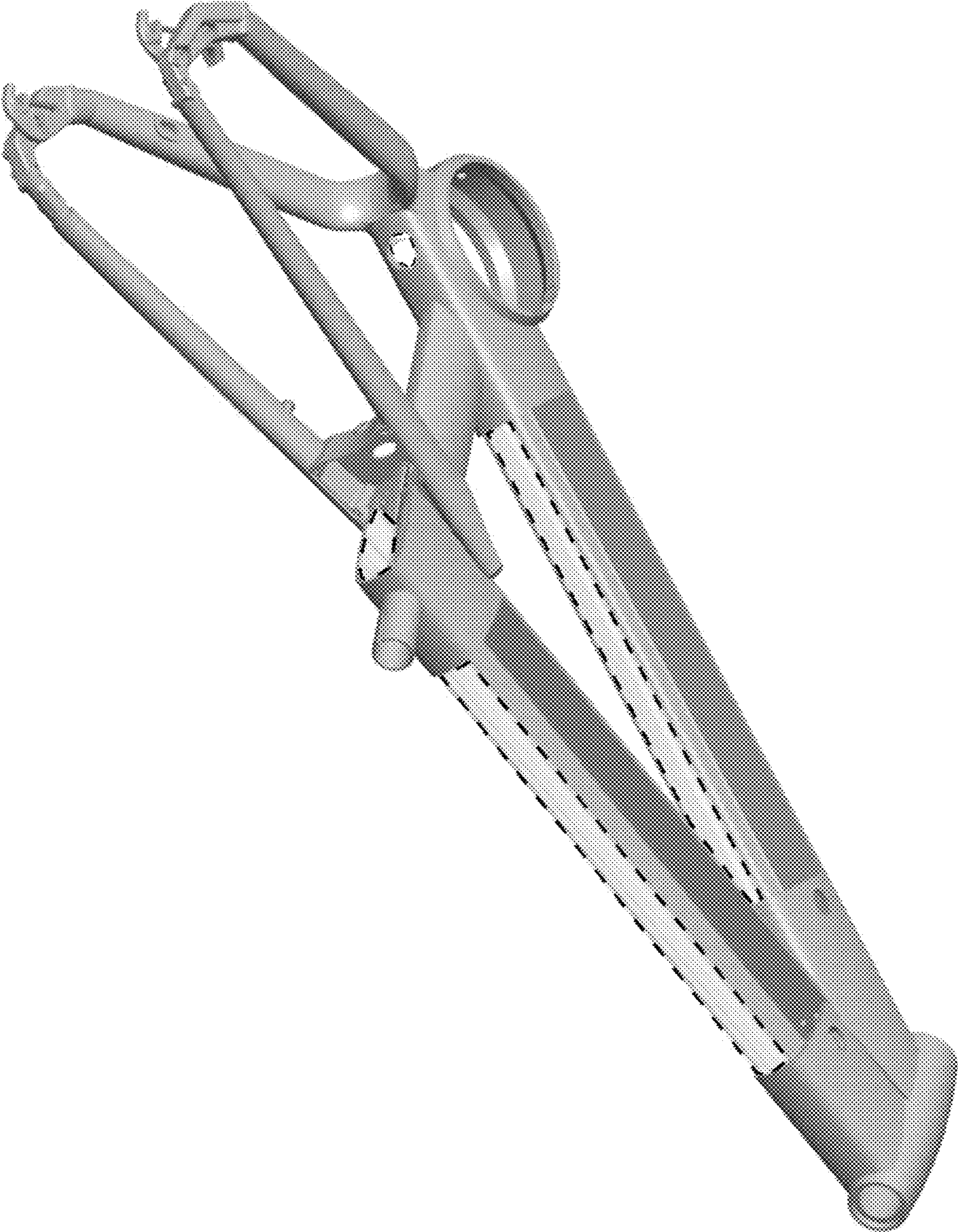


FIG. 9