



US00D956658S

(12) **United States Design Patent** (10) **Patent No.:** **US D956,658 S**  
**Asquith et al.** (45) **Date of Patent:** **\*\* Jul. 5, 2022**

(54) **TRUCK BED FRAME ASSEMBLY**

- (71) Applicant: **Rhino Rack Australia Pty Limited**, Eastern Creek (AU)
- (72) Inventors: **Warren Asquith**, Mount Annan (AU); **William Davis**, Lugarno (AU); **Sam Whelan**, Cronulla (AU)
- (73) Assignee: **Rhino Rack Australia Pty Limited**, Eastern Creek (AU)

(\*\*) Term: **15 Years**

(21) Appl. No.: **29/733,181**

(22) Filed: **Apr. 30, 2020**

(30) **Foreign Application Priority Data**

Oct. 31, 2019 (AU) ..... 201916228  
 Oct. 31, 2019 (AU) ..... 201916229  
 Oct. 31, 2019 (AU) ..... 201916230

(51) **LOC (13) Cl.** ..... **12-16**

(52) **U.S. Cl.**  
USPC ..... **D12/406**

(58) **Field of Classification Search**  
 USPC ..... D12/401, 402, 403, 404, 405, 406, 407,  
 D12/408, 409, 410, 411, 412, 413, 414;  
 D32/35, 58; D6/317, 318, 319  
 CPC .... B60R 9/00; B60R 9/02; B60R 9/04; B60R  
 9/042; B60R 9/0423; B60R 9/0426; B60R  
 9/045; B60R 9/048; B60R 9/0485; B60R  
 9/05; B60R 9/052; B60R 9/058; B60R  
 9/06; B60R 9/08; B60R 9/10; B60R 9/12;  
 B60R

(Continued)

(56) **References Cited**

**U.S. PATENT DOCUMENTS**

3,253,755 A 5/1966 Bott  
 3,273,768 A 9/1966 Duer

(Continued)

**OTHER PUBLICATIONS**

Yakima Outpost HD Bed Rack, Published date unavailable [online], [retrieved on Jun. 14, 2021]. Retrieved from the Internet: <https://www.northridge4x4.com/part/jtpkg-yakima-bed-rack-package> (Year: 2021).\*

(Continued)

*Primary Examiner* — Cary M Robinson  
*Assistant Examiner* — Adam C Mager

(74) *Attorney, Agent, or Firm* — Bill R. Naifeh

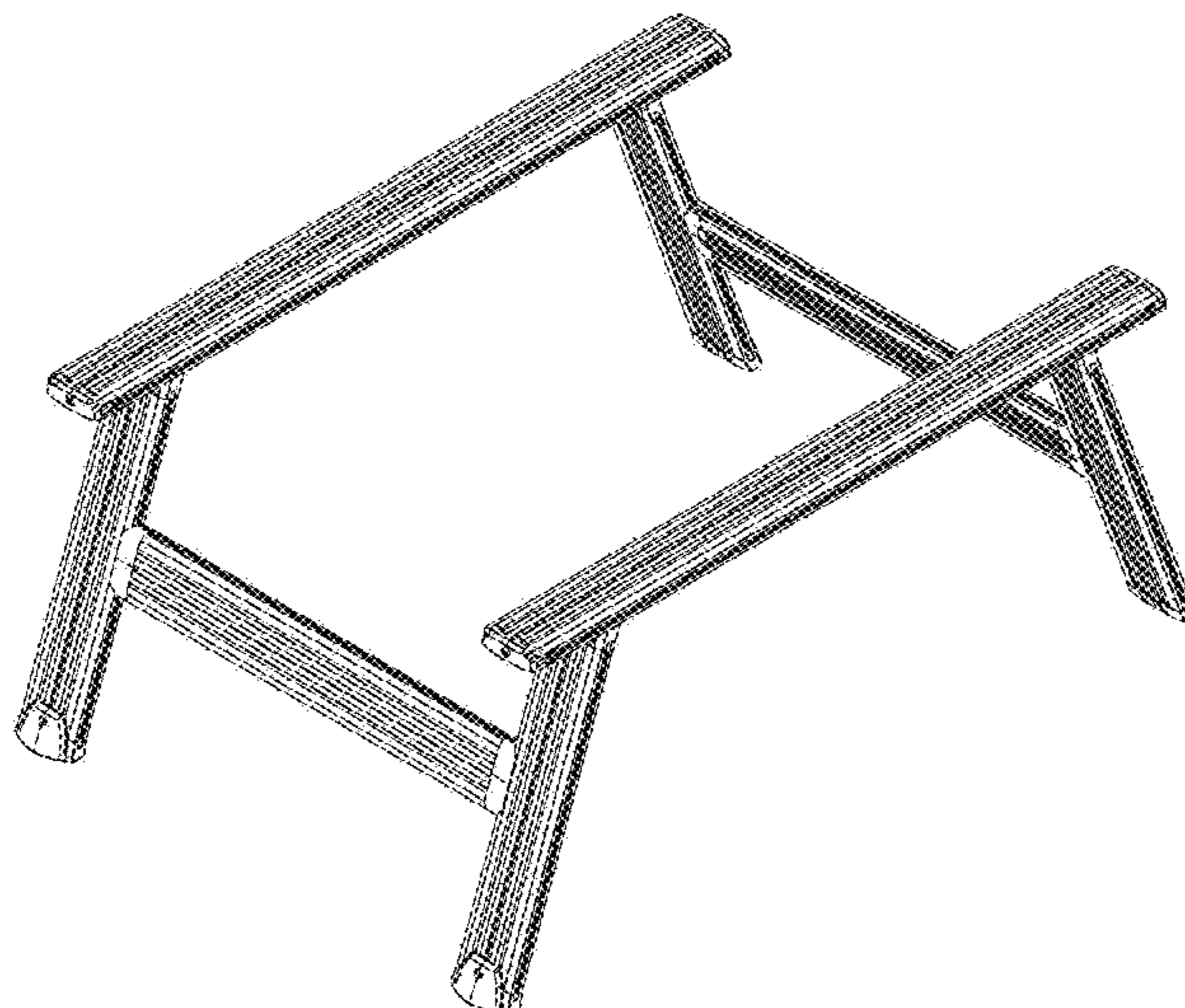
(57) **CLAIM**

We claim the ornamental design for a truck bed frame assembly, as shown and described.

**DESCRIPTION**

FIG. 1 is an isometric view of a first embodiment of a truck bed frame assembly showing our new design;  
 FIG. 2 is a front elevation view thereof;  
 FIG. 3 is a back elevation view thereof;  
 FIG. 4 is a left side elevation view thereof;  
 FIG. 5 is a right-side elevation view thereof;  
 FIG. 6 is a top plan view thereof;  
 FIG. 7 is a bottom plan view thereof;  
 FIG. 8 is an isometric view of a second embodiment of a truck bed frame assembly with cross beams at a high position;  
 FIG. 9 is a left side elevation view thereof and is a mirror image of the right side elevation view;  
 FIG. 10 is a top plan view thereof;  
 FIG. 11 is a bottom plan view thereof;  
 FIG. 12 is an isometric view of a third embodiment of a truck bed frame assembly with the cross beams at a low position;  
 FIG. 13 is a left side elevation view thereof and is a mirror image of the right side elevation view;  
 FIG. 14 is a top plan view thereof; and,  
 FIG. 15 is a bottom plan view thereof.

**1 Claim, 15 Drawing Sheets**



- (58) **Field of Classification Search**  
 CPC ..... 2011/0042; B60R 11/00; B60P 7/0815;  
 B60P 3/40; B62D 33/0207; Y10T  
 29/49622  
 See application file for complete search history.

(56) **References Cited**

U.S. PATENT DOCUMENTS

D300,813	S *	4/1989	Kamaya	.....	D12/412
5,314,104	A *	5/1994	Lee	.....	B60R 9/045 224/309
5,494,327	A *	2/1996	Derecktor	.....	B60P 3/40 224/321
5,848,743	A *	12/1998	Derecktor	.....	B60R 9/058 224/331
D496,323	S	9/2004	Buseman		
7,296,837	B2 *	11/2007	Niedziela	.....	B60P 3/40 224/405
D582,337	S *	12/2008	Derecktor	.....	D12/406
7,464,977	B1 *	12/2008	Price	.....	B60P 3/40 296/26.05
8,668,125	B2 *	3/2014	Williams	.....	B60R 9/06 224/405
9,132,784	B2 *	9/2015	Harrison	.....	B60R 9/045
D815,581	S	4/2018	Anderson		
D856,262	S	8/2019	Marankie		
10,421,385	B2 *	9/2019	Chambers	.....	B62D 33/023
D865,645	S	11/2019	Wissiak		
10,543,790	B2 *	1/2020	Marr, Jr.	.....	B60R 9/00
D897,013	S	3/2020	Connellan		
D881,791	S	4/2020	Ni		
D890,684	S	7/2020	Ekstrom		
D893,397	S	8/2020	Ekstrom		
D902,127	S	11/2020	Ajam		
D905,616	S *	12/2020	Badillo	.....	D12/412
10,940,803	B2 *	3/2021	Ni	.....	B60R 9/058
D921,568	S *	6/2021	Xia	.....	D12/412
2004/0211802	A1 *	10/2004	Levi	.....	B60R 9/00 224/405

2004/0232718	A1 *	11/2004	Kerns	.....	B60R 11/00 296/3
2008/0100075	A1 *	5/2008	Derecktor	.....	B60P 3/40 296/3
2009/0026784	A1 *	1/2009	Green	.....	B60R 9/00 296/3
2010/0072237	A1 *	3/2010	Green	.....	B60R 9/00 224/405
2010/0288808	A1 *	11/2010	Marr, Jr.	.....	B60R 9/06 224/403
2013/0229025	A1 *	9/2013	Johnasen	.....	B60R 9/045 296/3
2014/0034693	A1 *	2/2014	Perry	.....	B60R 9/045 224/403
2015/0258940	A1 *	9/2015	Breeden, III	.....	B60R 9/045 224/405
2017/0028931	A1	2/2017	Arvidsson		
2018/0326915	A1	11/2018	Dickinson		
2019/0367101	A1 *	12/2019	McFadden	.....	B60R 9/06
2019/0375337	A1	12/2019	Gauci		
2020/0223371	A1	7/2020	Menegazzo		
2020/0406826	A1 *	12/2020	Ni	.....	B60R 9/058
2020/0406827	A1 *	12/2020	Ni	.....	B60R 9/06
2022/0001938	A1 *	1/2022	Condon	.....	B60R 9/06

OTHER PUBLICATIONS

Syneticusa Truck Bed Rack, Published on Nov. 5, 2020 [online], [retrieved on Jun. 14, 2021]. Retrieved from the Internet: [https://www.amazon.com/Syneticusa-Overhaul-Adjustable-Compatible-Silverado/dp/B08MSXYFHP/ref=sr\\_1\\_1?dchild=1&keywords=B08MSXYFHP&qid=1623710599&s=automotive&sr=1-1](https://www.amazon.com/Syneticusa-Overhaul-Adjustable-Compatible-Silverado/dp/B08MSXYFHP/ref=sr_1_1?dchild=1&keywords=B08MSXYFHP&qid=1623710599&s=automotive&sr=1-1) (Year: 2020).\*

New Rhino-Rack Truck Bed Rack, published Nov. 8, 2019 [online], <https://www.rackoutfitters.com/blog/first-look-new-rhinorack-mid-and-full-height-pickup-truck-bed-racks/> (2019).

\* cited by examiner

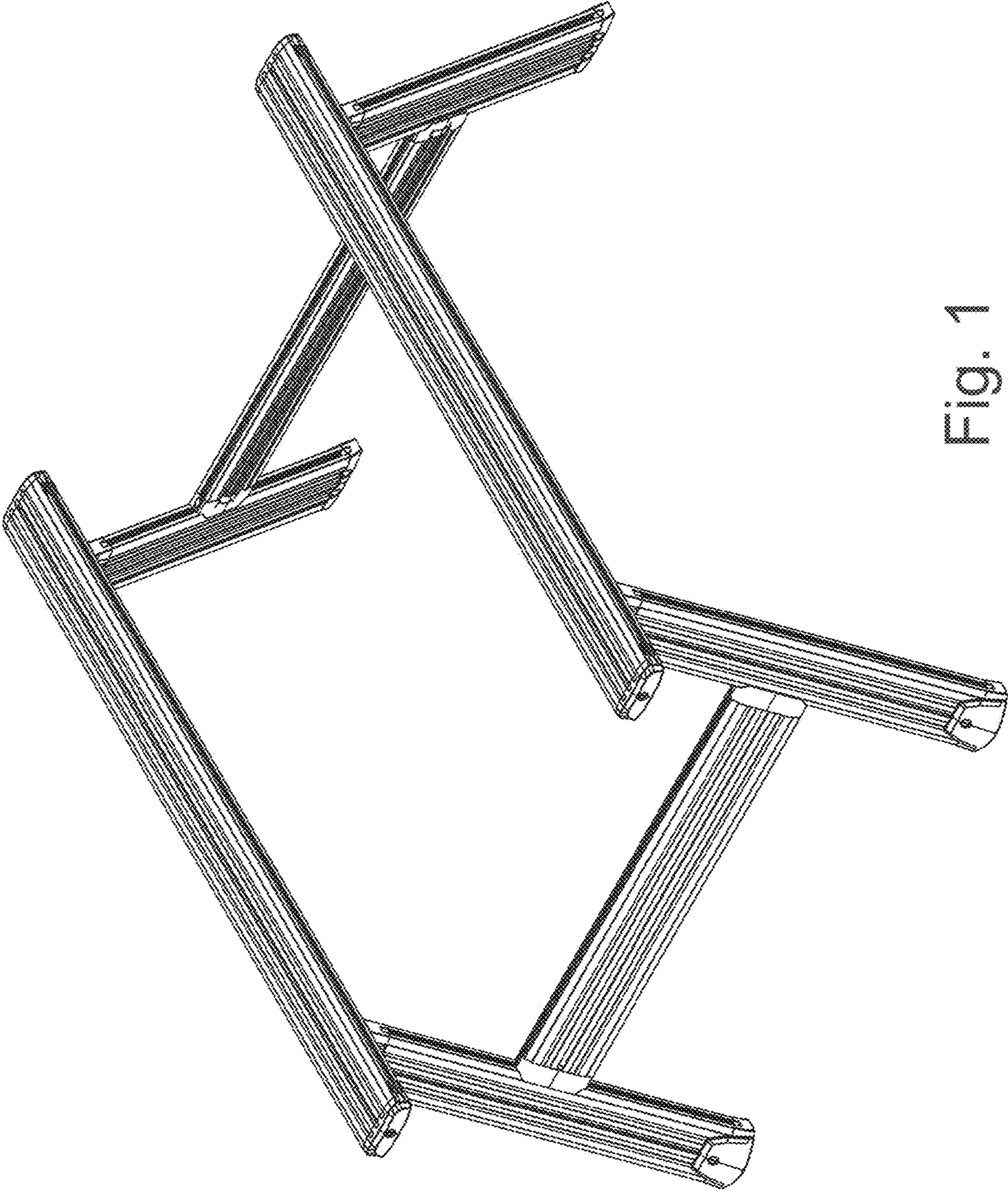


Fig. 1

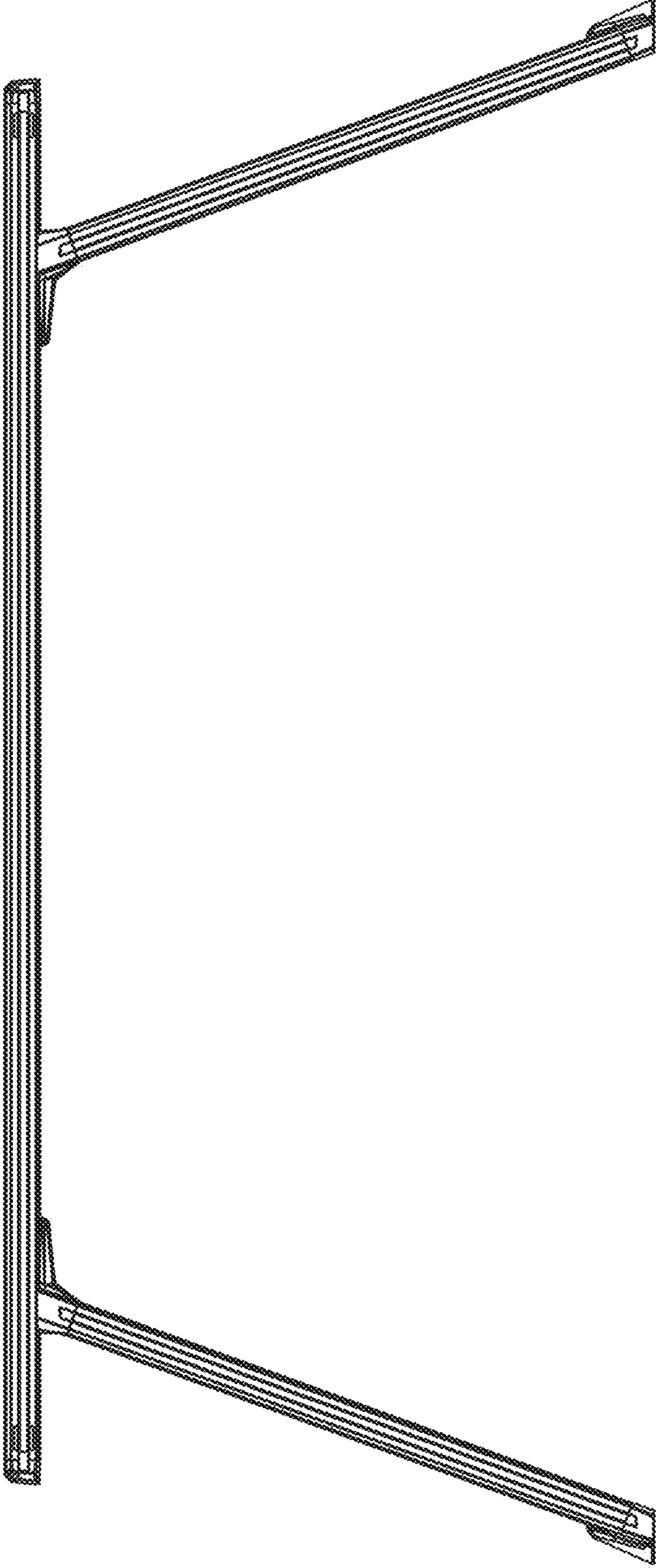


Fig. 2

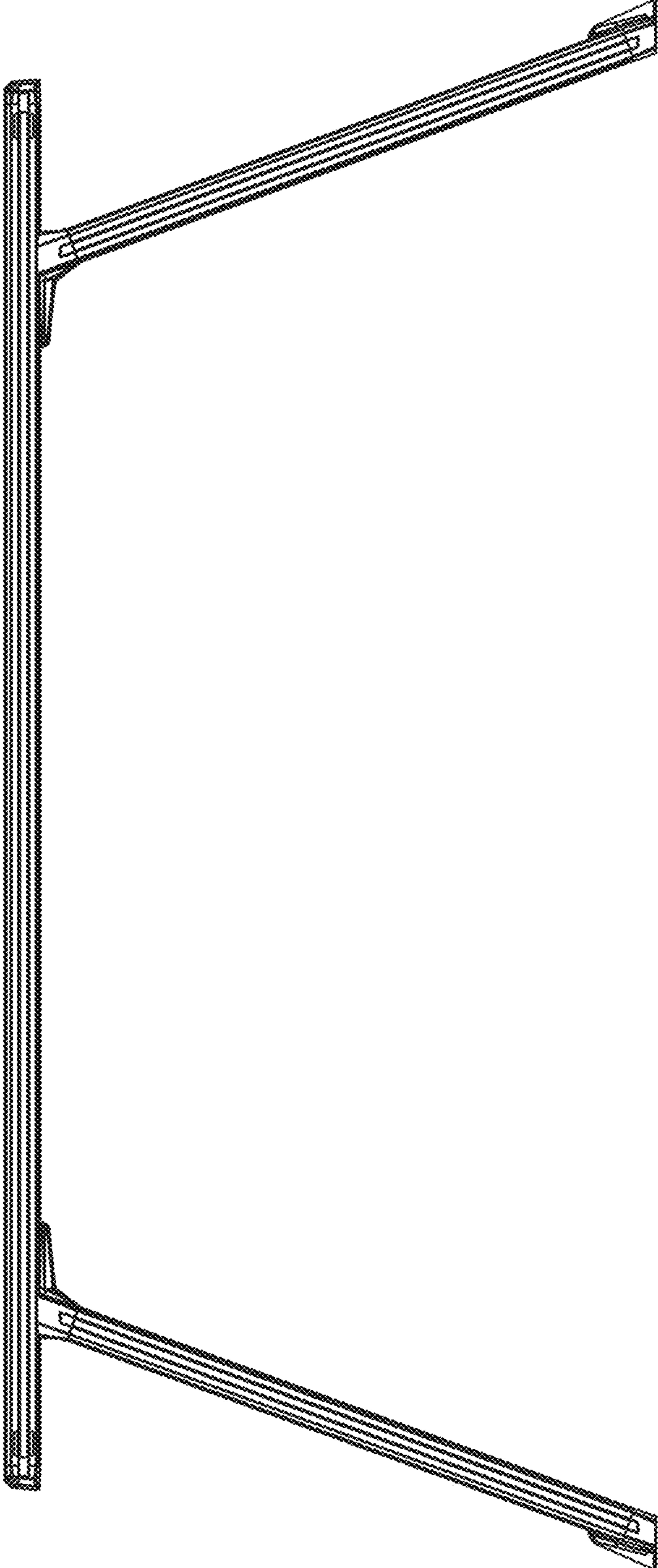


Fig. 3

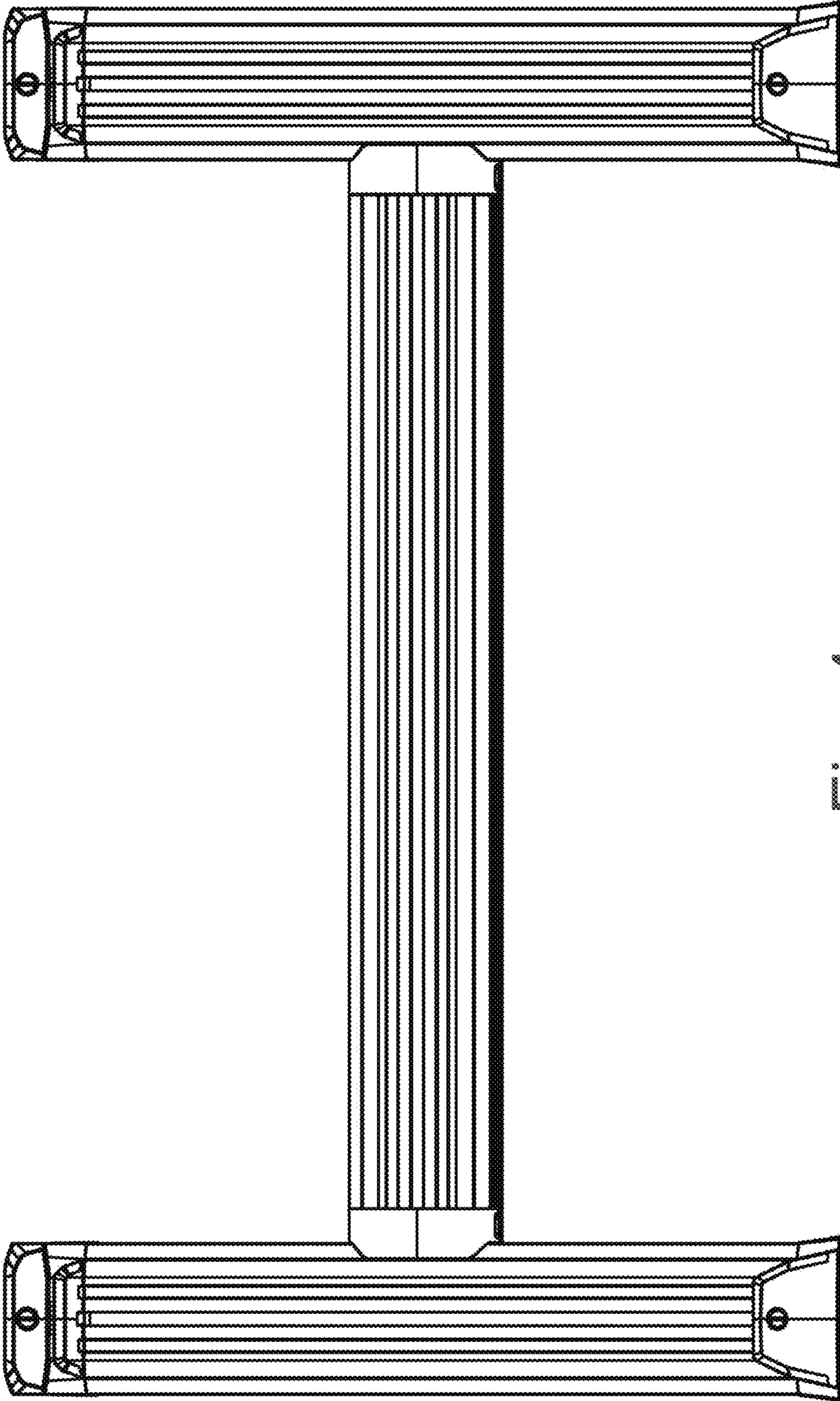


Fig. 4

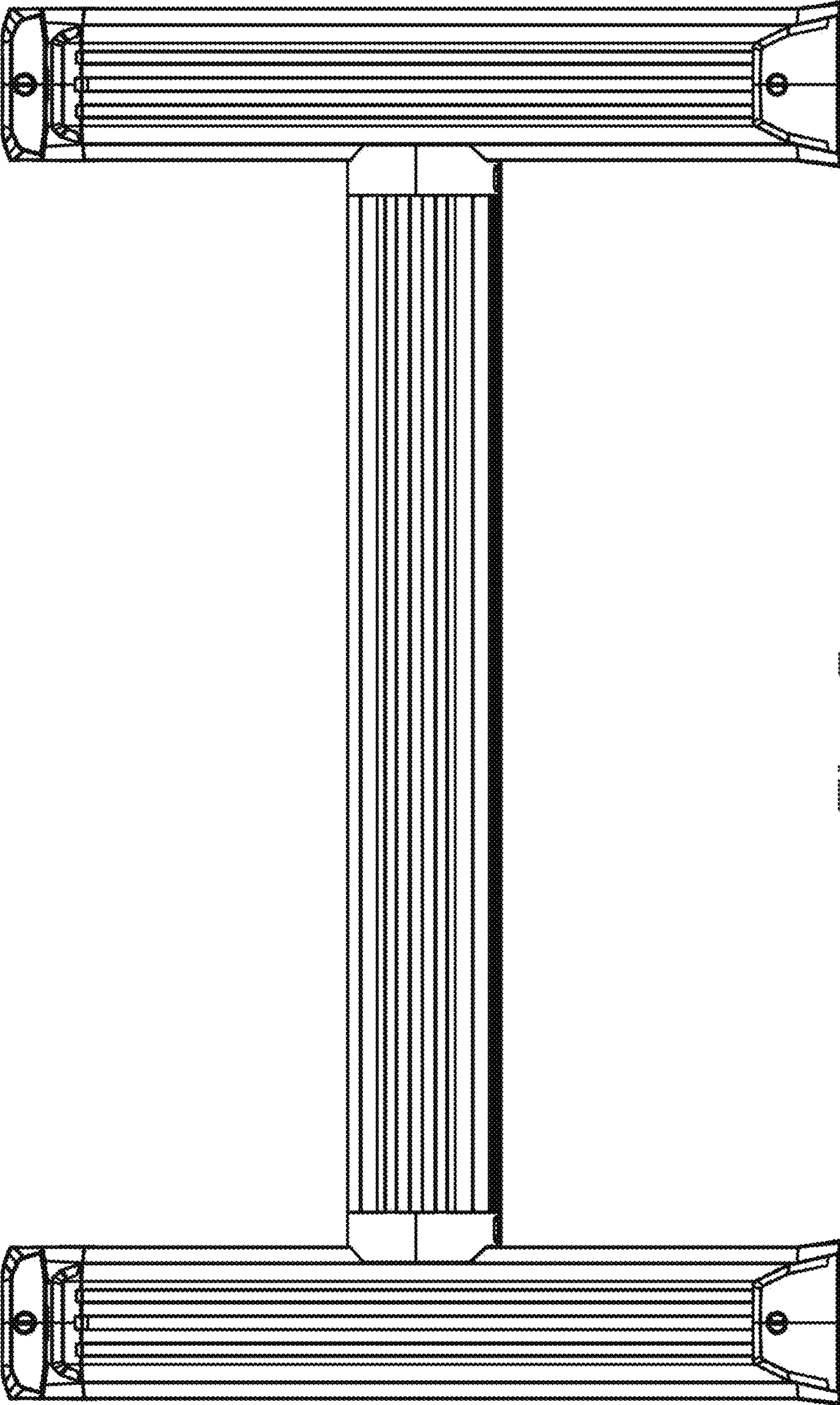


Fig. 5

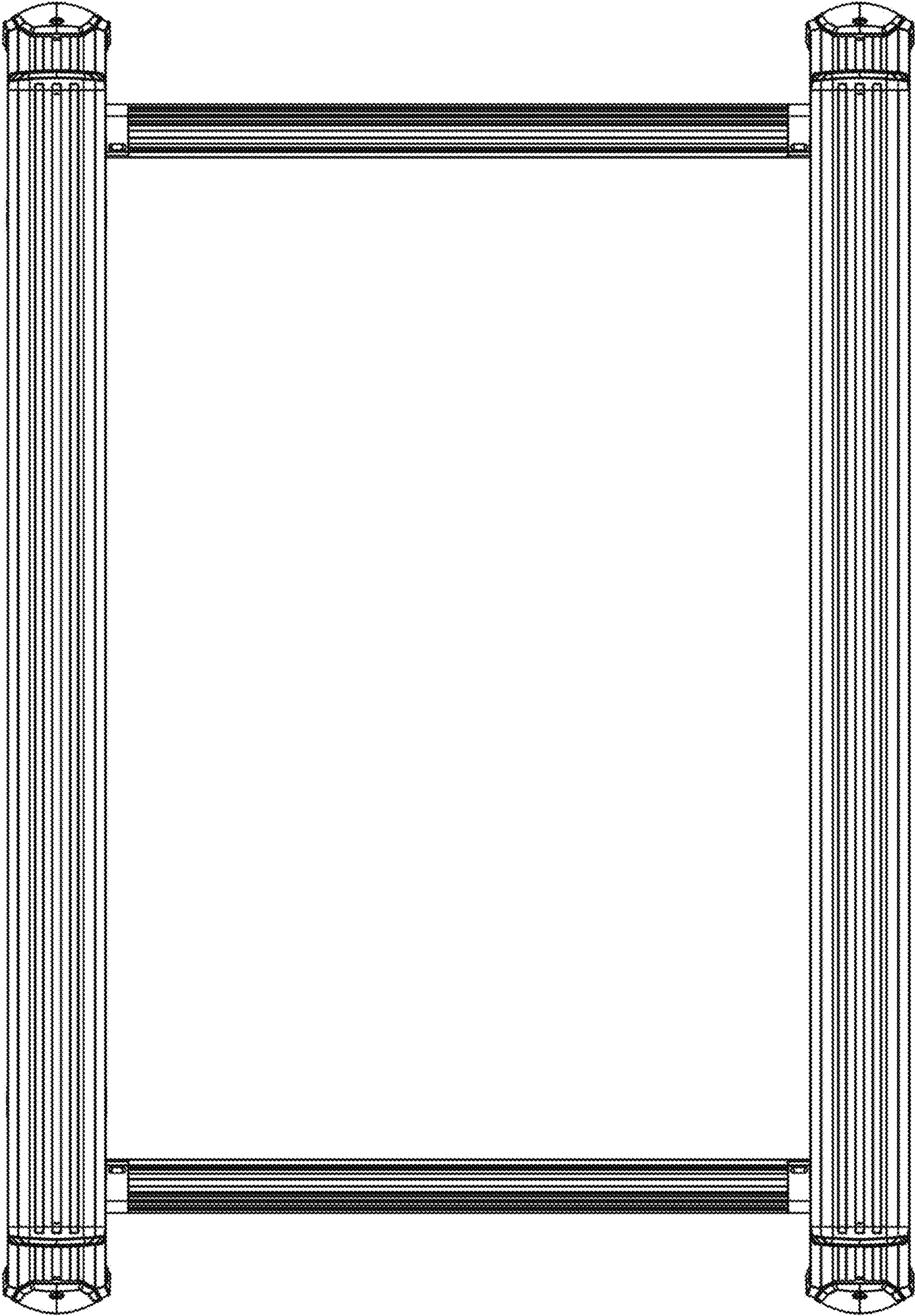


Fig. 6



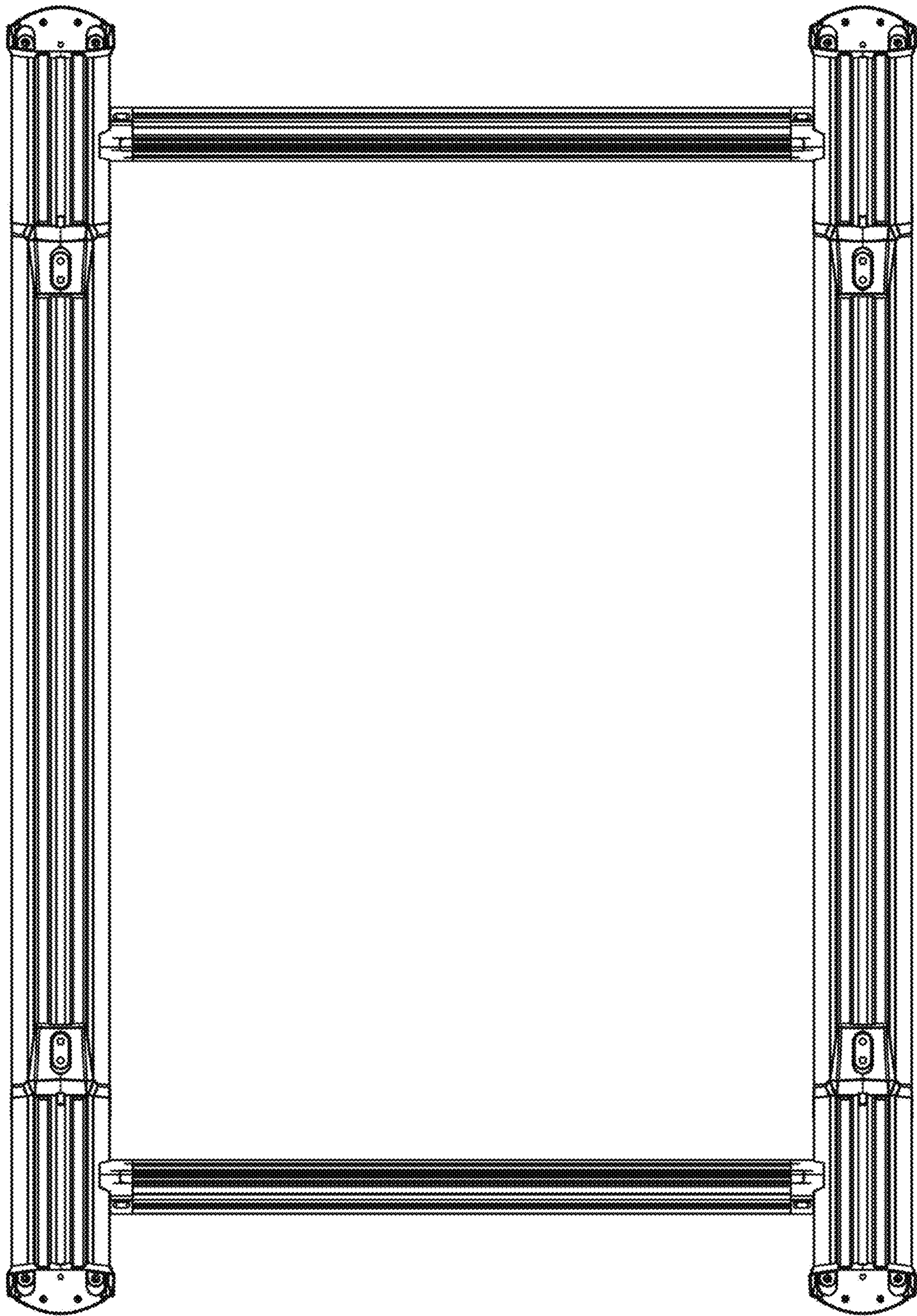


Fig.7

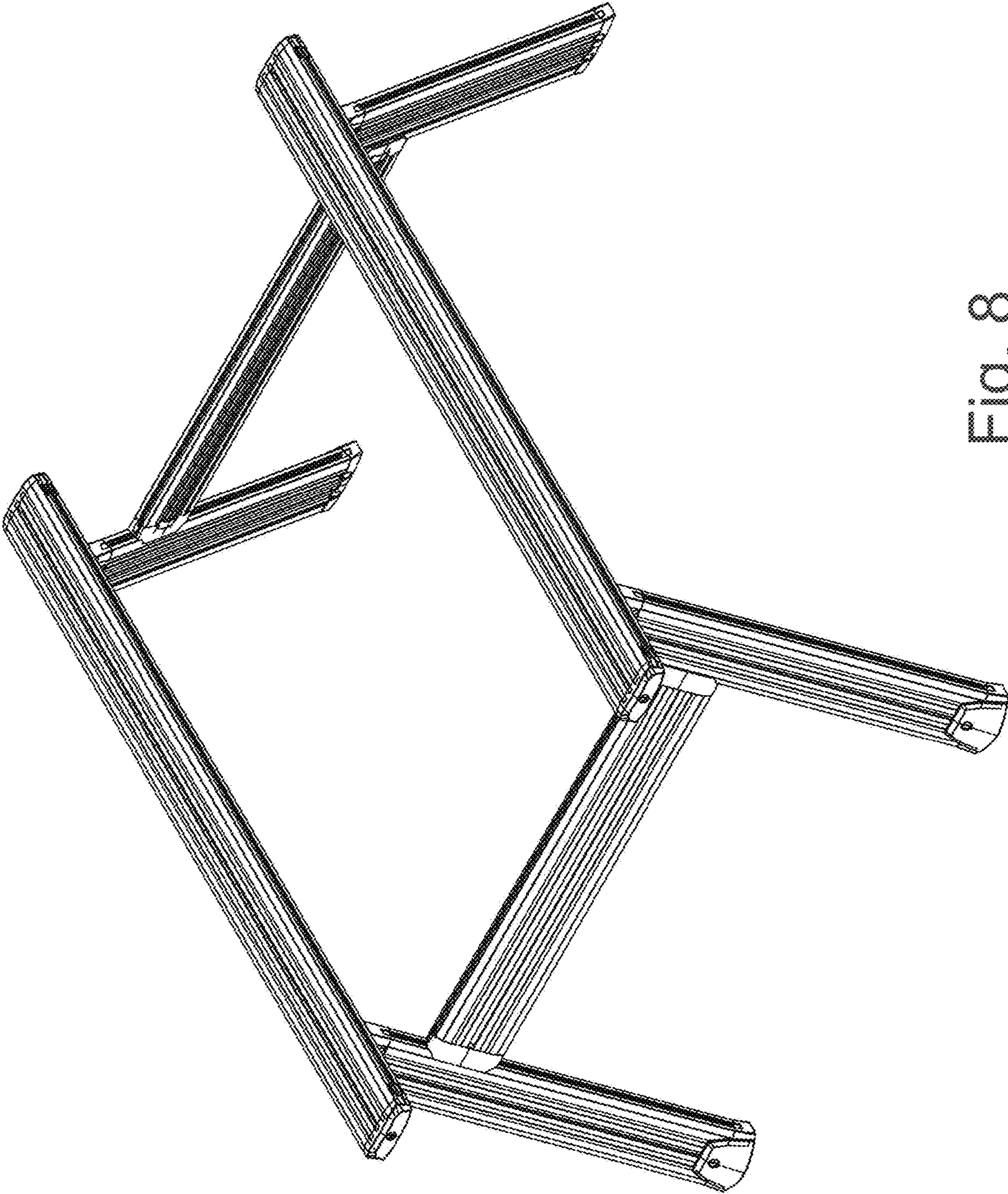


Fig. 8

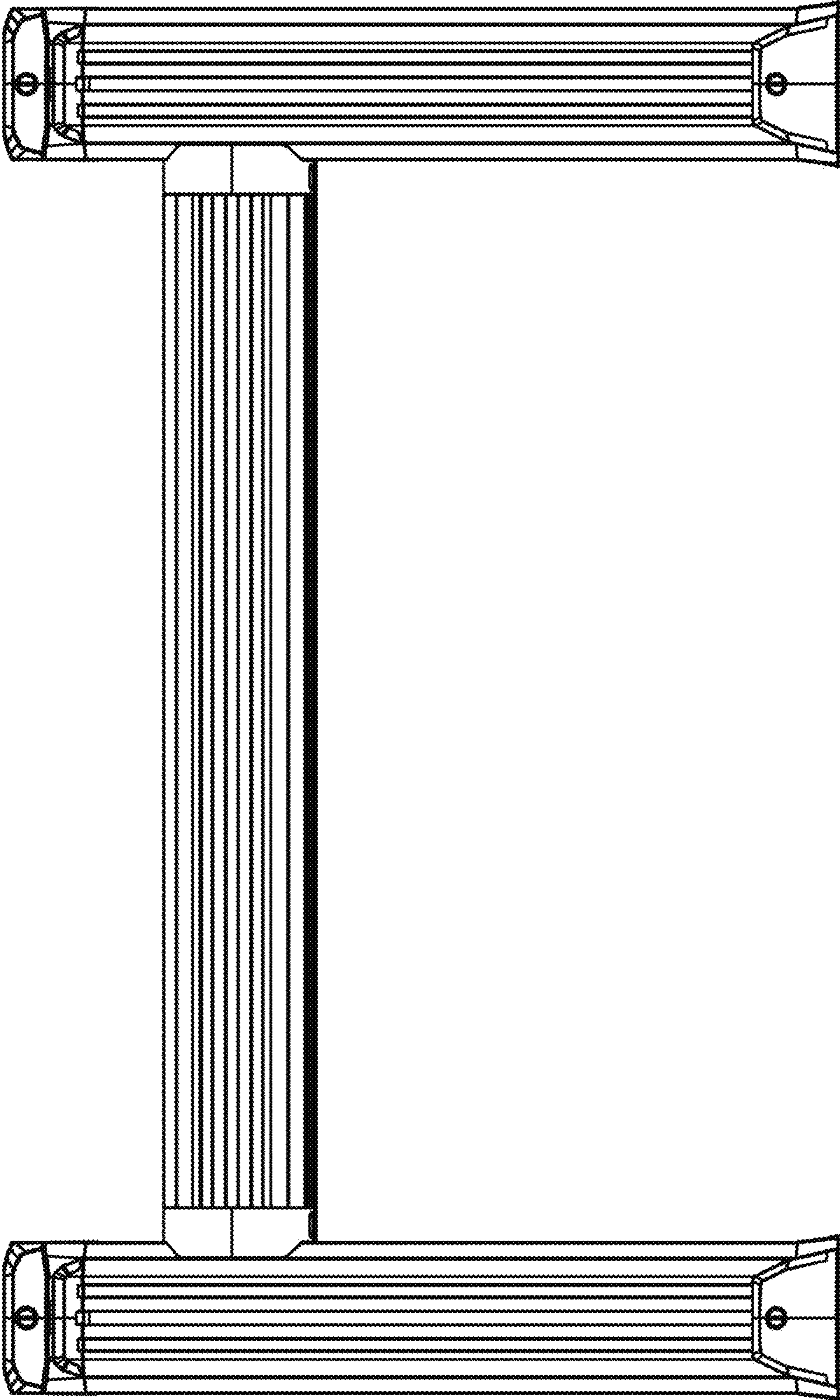


Fig. 9

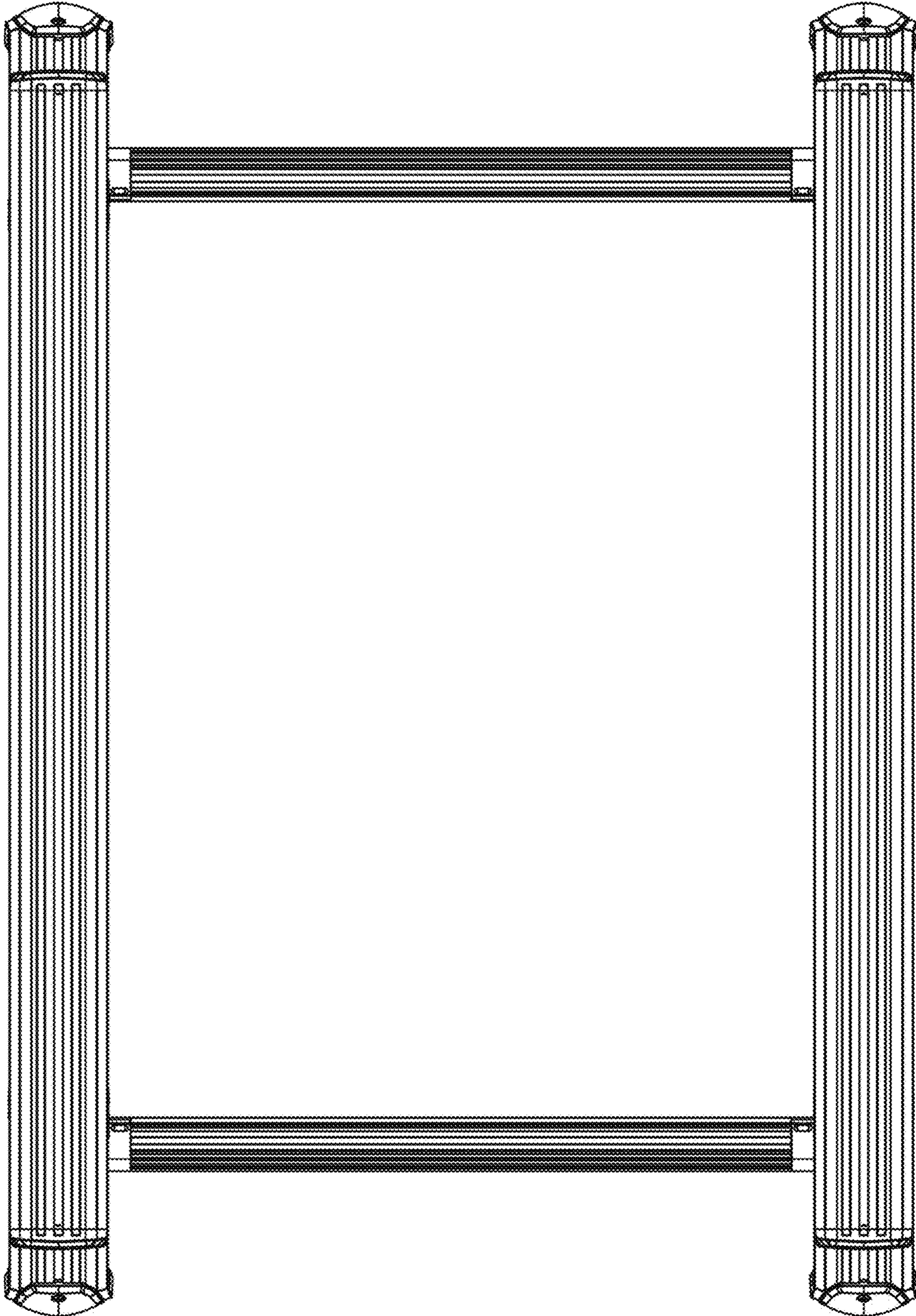


Fig. 10

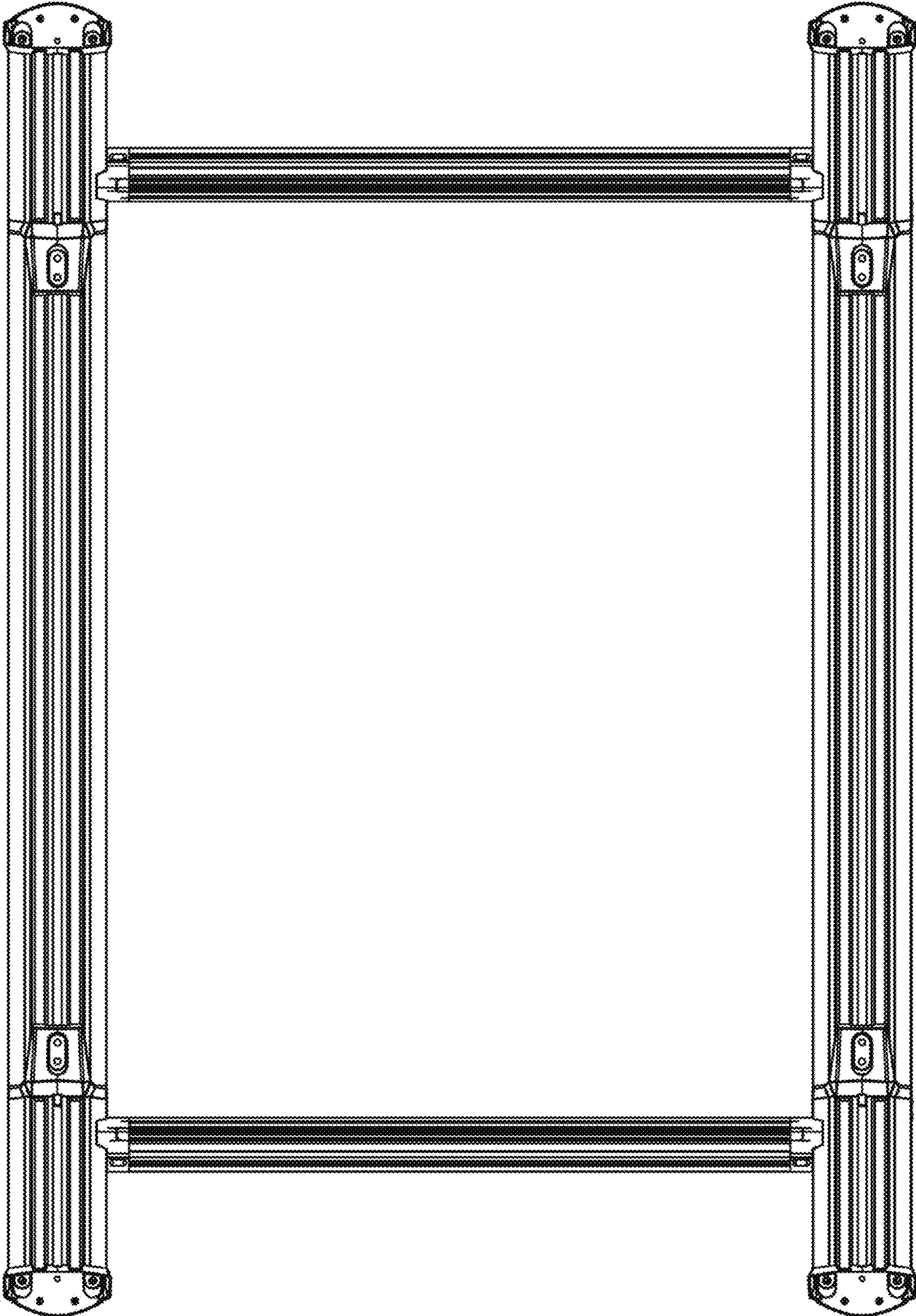


Fig. 11

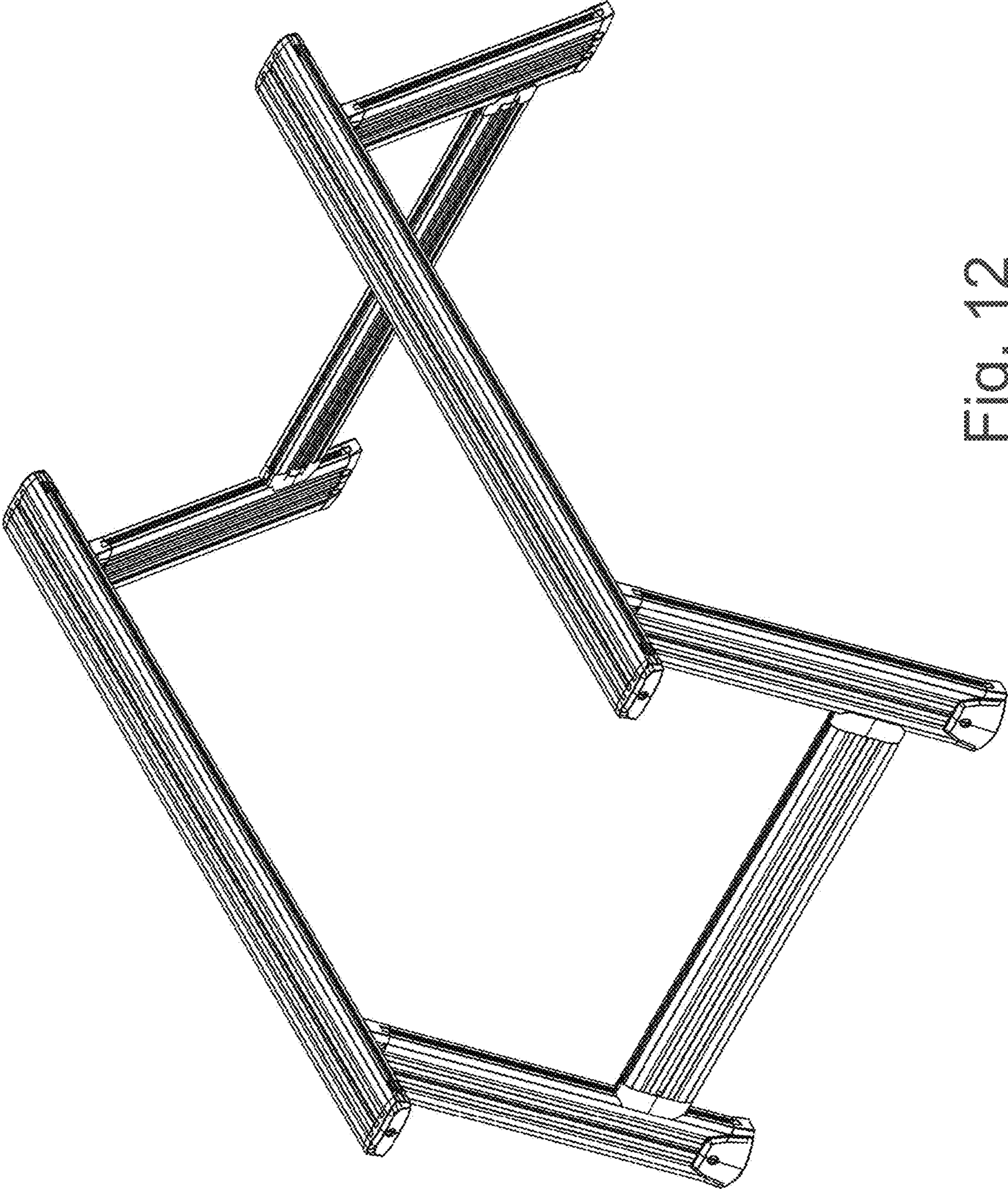


Fig. 12

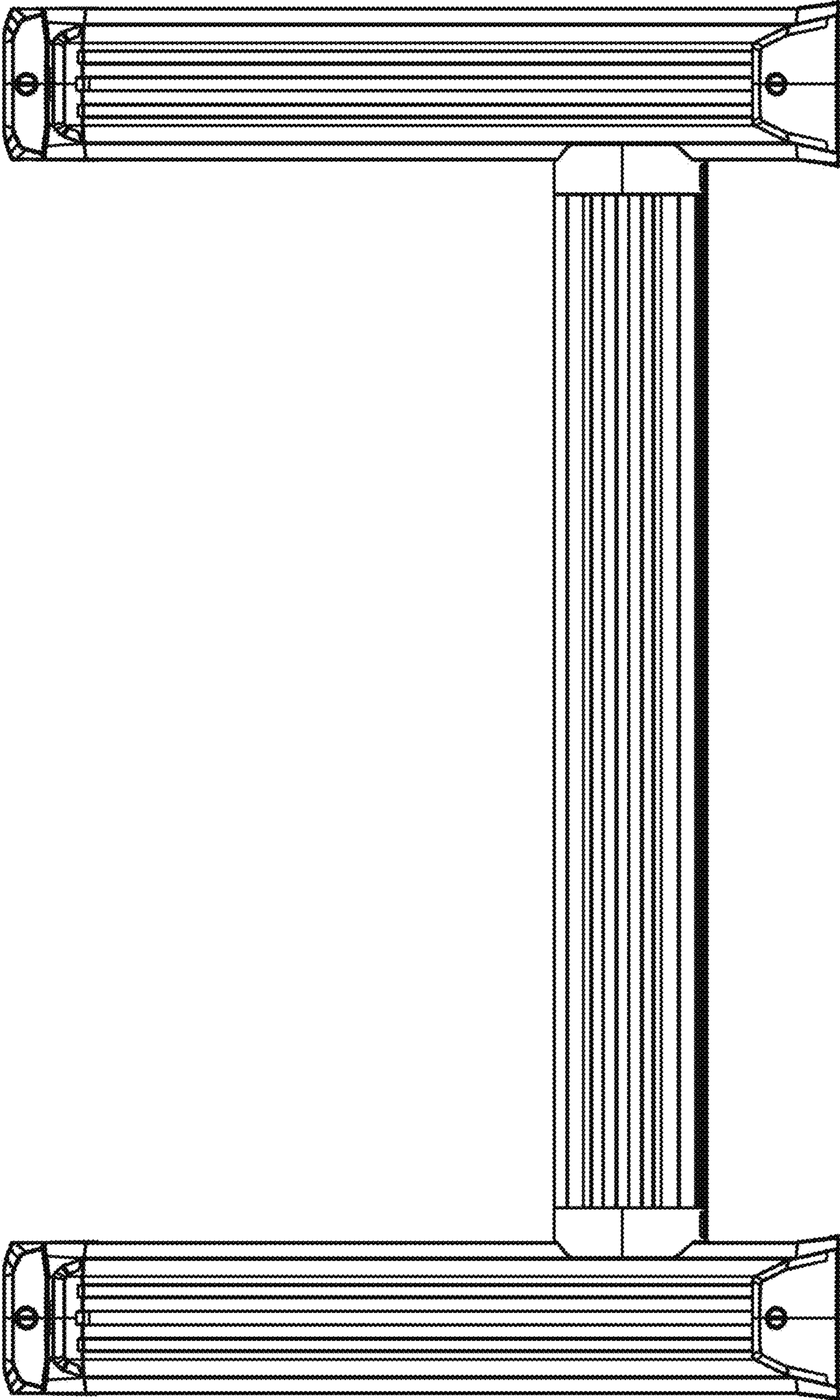


Fig. 13

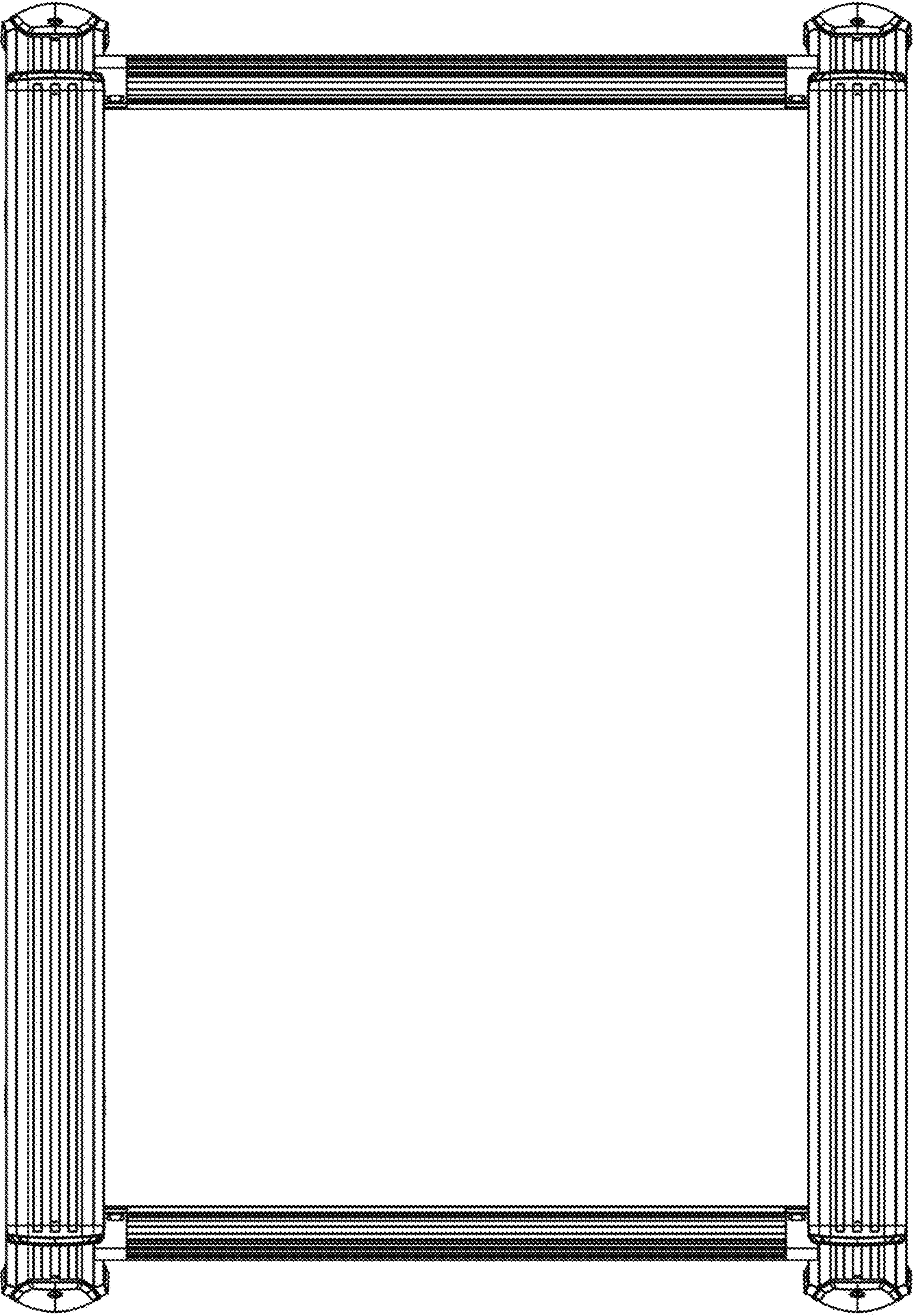


Fig. 14



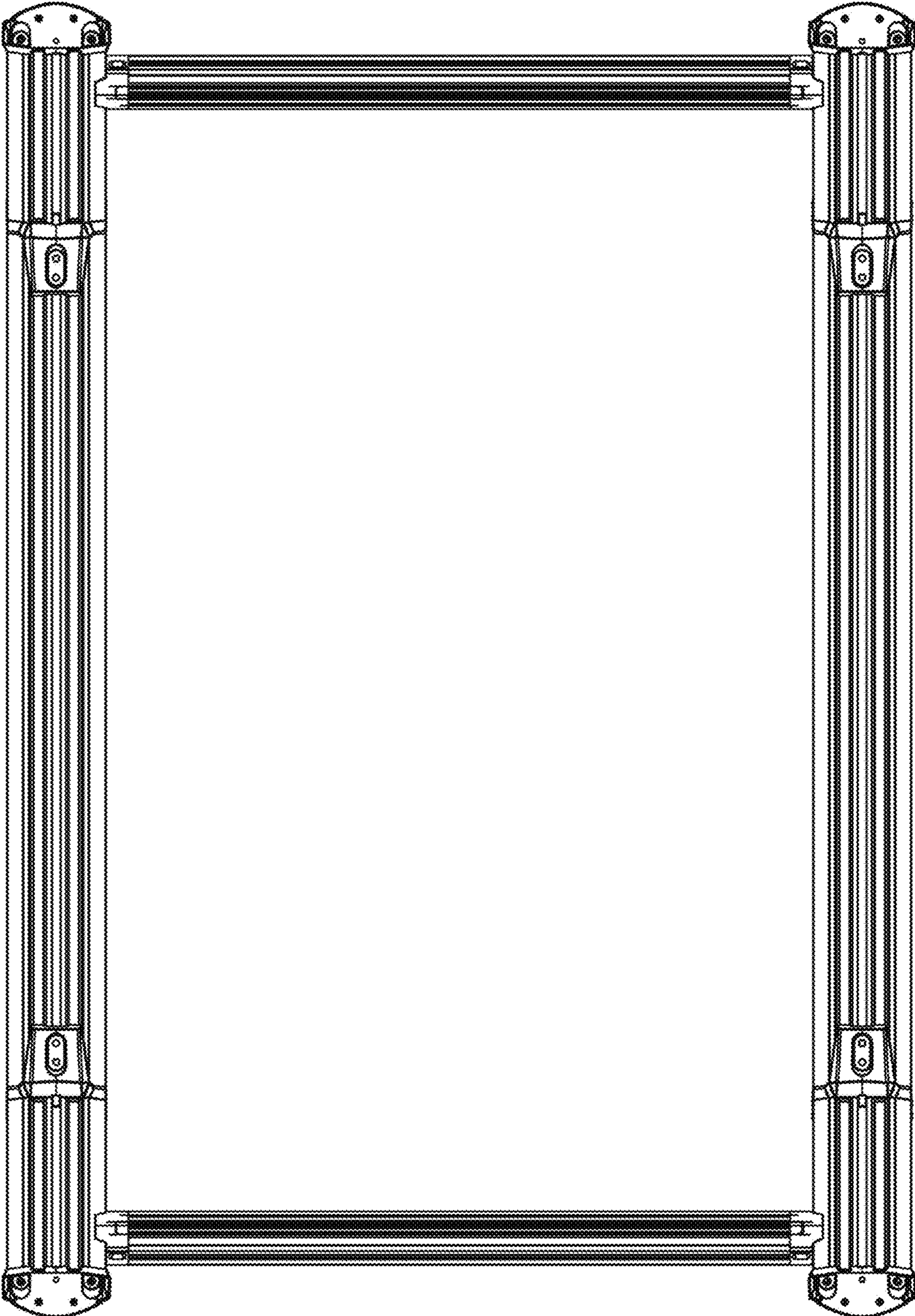


Fig. 15