



US00D956655S

(12) **United States Design Patent** (10) **Patent No.:** **US D956,655 S**
Mukti (45) **Date of Patent:** **** Jul. 5, 2022**

(54) **VEHICLE WHEEL**
(71) Applicant: **Quarsa, LLC**, Chino, CA (US)
(72) Inventor: **Ali Mukti**, Surabaya (ID)
(73) Assignee: **Quarsa, LLC**, Chino, CA (US)
(**) Term: **15 Years**
(21) Appl. No.: **29/704,994**
(22) Filed: **Sep. 9, 2019**
(51) **LOC (13) Cl.** **12-16**
(52) **U.S. Cl.**
USPC **D12/209**
(58) **Field of Classification Search**
USPC D12/204–213; D21/563
CPC B60B 7/00; B60B 7/02; B60B 7/04; B60B
7/01; B60B 7/06; B60B 3/02; B60B 3/04;
B60B 3/06; B60B 3/10; B60B 1/00;
B60B 1/08; B60B 1/10; B60B 1/12;
B60B 5/00; B60B 5/02; B60B 21/00;
A63H 17/262
See application file for complete search history.

D763,163 S * 8/2016 Chung D12/211
D776,597 S * 1/2017 Zhao D12/211
D790,427 S * 6/2017 Palana D12/211
D798,789 S * 10/2017 Kong D12/211
D826,131 S * 8/2018 Palana D12/211
D827,541 S * 9/2018 Bucher D12/209
D850,349 S * 6/2019 Lickliter D12/209
D852,110 S * 6/2019 Guidry D12/211
D852,111 S * 6/2019 Kong D12/211
D852,706 S * 7/2019 Tran D12/211
D856,245 S * 8/2019 Hale, Jr. D12/209
D861,564 S * 10/2019 Dewitt D12/209
D866,433 S * 11/2019 Akasawa D12/209
D885,287 S * 5/2020 Mukti D12/209
D887,938 S * 6/2020 Stone D12/209
D888,637 S * 6/2020 Zhao D12/209
D888,638 S * 6/2020 Zhao D12/209
D889,358 S * 7/2020 Williams D12/209
D892,701 S * 8/2020 Cox D12/209
D894,076 S * 8/2020 Lee D12/209
D908,058 S * 1/2021 Mukti D12/209

* cited by examiner

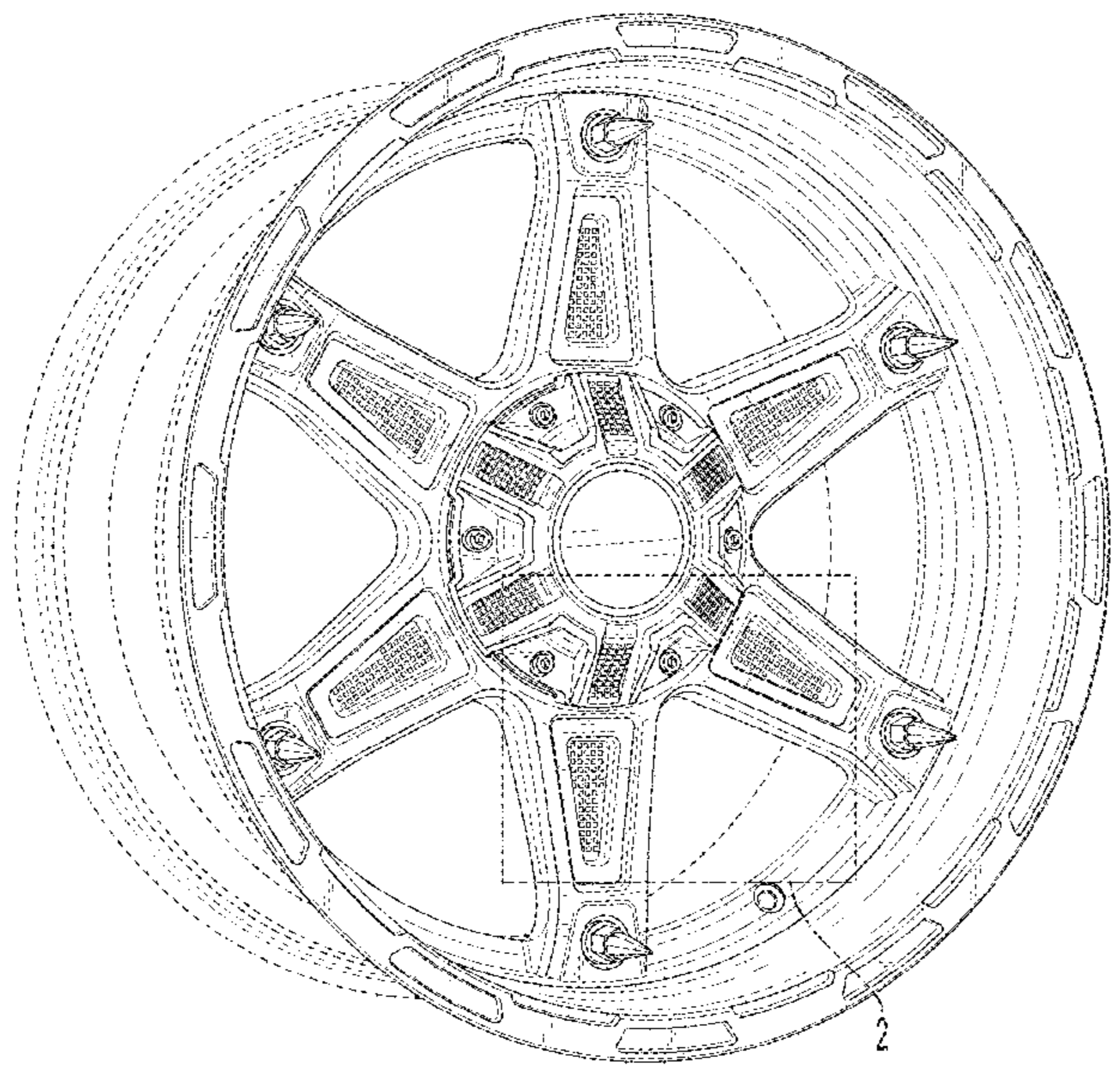
Primary Examiner — Leanne Was-Englehart
(74) *Attorney, Agent, or Firm* — Snell & Wilmer L.L.P.

(57) **CLAIM**
I claim the ornamental design for a vehicle wheel, as shown and described.

(56) **References Cited**
U.S. PATENT DOCUMENTS
D446,493 S * 8/2001 Sulahian D12/211
D449,267 S * 10/2001 Fitzgerald D12/211
D518,766 S * 4/2006 Burns D12/211
D578,458 S * 10/2008 Cortes D12/211
D585,808 S * 2/2009 Hetrick D12/211
D617,721 S * 6/2010 Zhao D12/211
D623,114 S * 9/2010 Geisler D12/211
D653,599 S * 2/2012 Zhao D12/211
D670,227 S * 11/2012 Chung D12/211
D684,518 S * 6/2013 Zhao D12/211
D727,829 S * 4/2015 Chung D12/211
D733,025 S * 6/2015 Chung D12/211
D737,191 S * 8/2015 Chung D12/211
D751,480 S * 3/2016 Chung D12/209

DESCRIPTION
FIG. 1 is a front perspective view of the vehicle wheel showing my new design;
FIG. 2 is an enlarged view of a portion of the wheel indicated by area 2 in FIG. 1; and,
FIG. 3 is a front view of the vehicle wheel of FIG. 1.
The dot-dash broken line rectangles in FIGS. 1 & 2 depict the limits of the enlarged views and form no part of the claimed design.
The broken lines depict portions of the vehicle wheel that form no part of the claimed design.

1 Claim, 3 Drawing Sheets



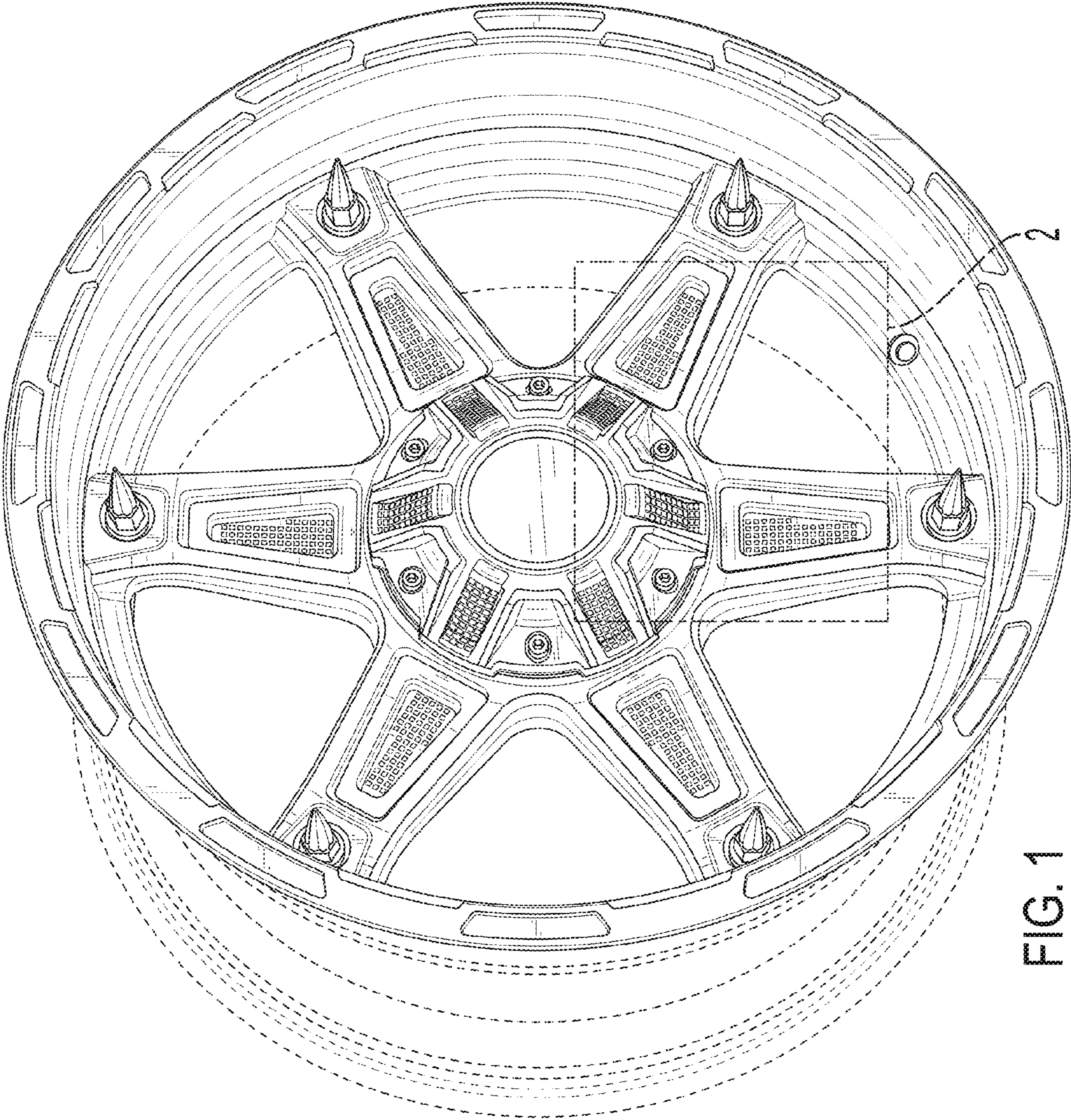


FIG. 1

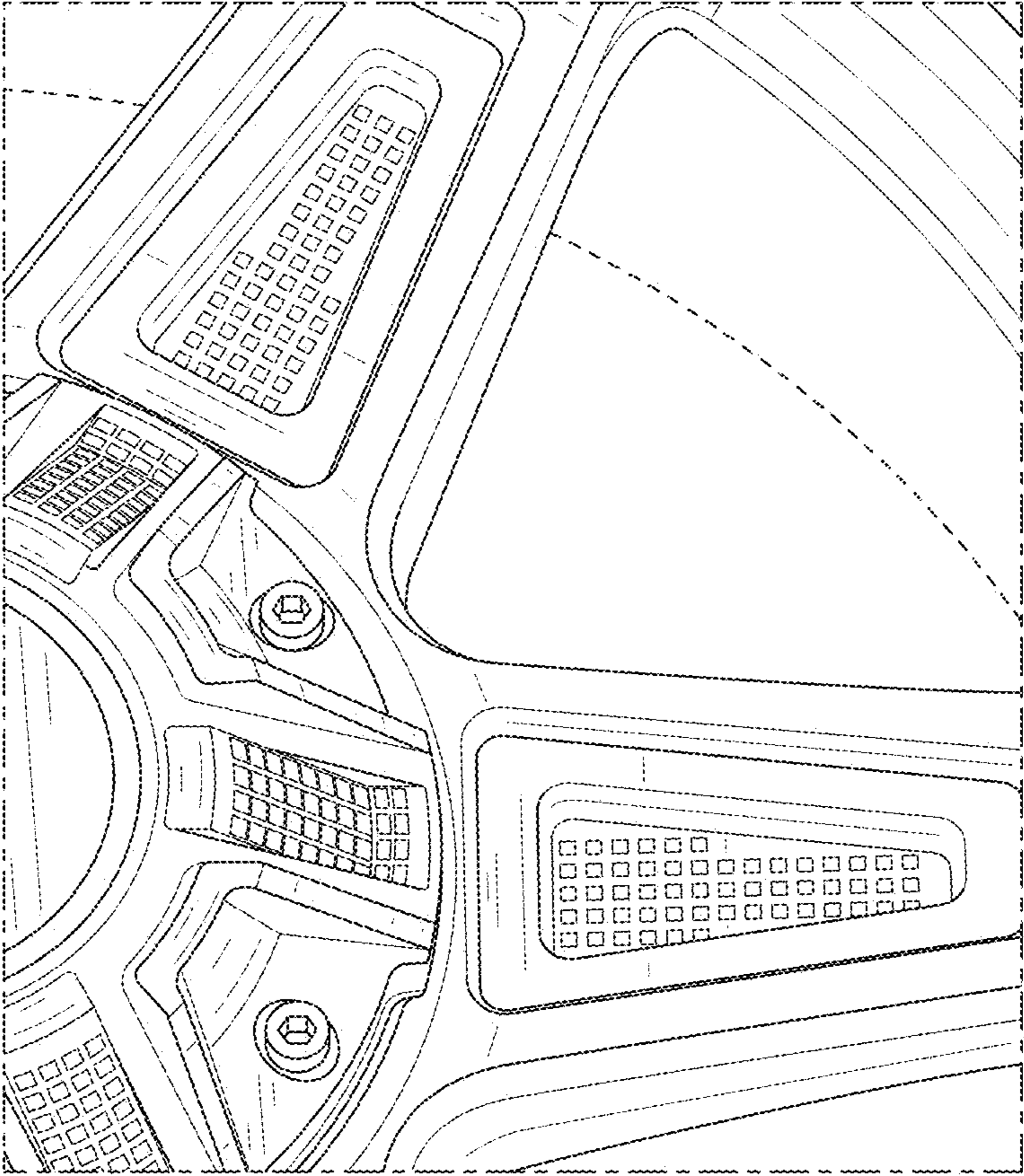


FIG. 2

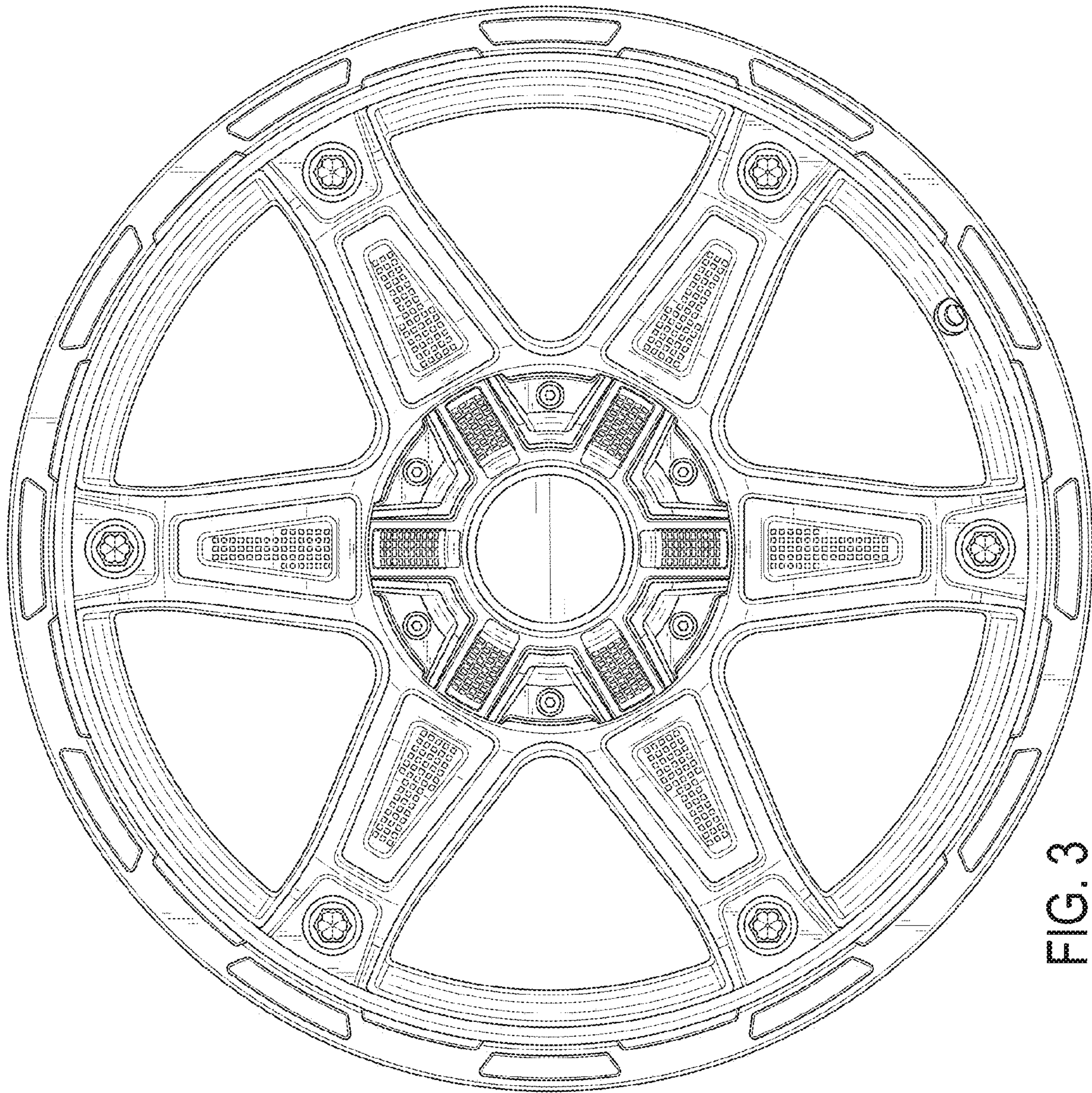


FIG. 3