



US00D956648S

(12) **United States Design Patent**  
**Babiarz**

(10) **Patent No.:** **US D956,648 S**  
(45) **Date of Patent:** **\*\* Jul. 5, 2022**

- (54) **PICKUP TRUCK TAILGATE AND LIGHTS**
- (71) Applicant: **Nikola Corporation**, Phoenix, AZ (US)
- (72) Inventor: **Brendan Babiarz**, Phoenix, AZ (US)
- (73) Assignee: **Nikola Corporation**, Phoenix, AZ (US)
- (\*\*) Term: **15 Years**
- (21) Appl. No.: **29/770,145**
- (22) Filed: **Feb. 9, 2021**
- (51) **LOC (13) Cl.** ..... **12-16**
- (52) **U.S. Cl.**  
USPC ..... **D12/196**
- (58) **Field of Classification Search**  
USPC ..... D12/88, 90, 91, 92, 181, 184, 190, 193,  
D12/195, 196, 400, 414; D21/424, 433,  
D21/434  
CPC ..... B62D 25/08; B62D 25/00; B62D 25/02;  
B62D 25/003; B62D 33/0273; B62D  
33/033; B62D 24/02  
See application file for complete search history.

(56) **References Cited**

U.S. PATENT DOCUMENTS

D758,271	S *	6/2016	McMahan	.....	D12/196
9,522,704	B1 *	12/2016	Krajenke	.....	B62D 33/0273
D784,232	S *	4/2017	Henstridge	.....	D12/196
9,789,914	B1 *	10/2017	Maranville	.....	B62D 33/0273
D855,529	S *	8/2019	Dewitt	.....	D12/196
D856,882	S *	8/2019	Ninov	.....	D12/196
D859,254	S *	9/2019	Izard	.....	D12/196
D890,055	S *	7/2020	Platto	.....	D12/196
D897,255	S *	9/2020	Zipfel	.....	D12/196
D908,572	S *	1/2021	Langhals	.....	D12/196
2021/0387680	A1 *	12/2021	Parker	.....	B62D 33/0273
2022/0001728	A1 *	1/2022	Nania	.....	B60R 3/02
2022/0001808	A1 *	1/2022	Low	.....	B60J 11/06

OTHER PUBLICATIONS

Tailgates. (Design—© Questel) orbit.com. [Online PDF compilation of references] 56 pgs. Print Dates Range Jul. 16, 2021-Nov. 30, 2018 [Retrieved Jan. 28, 2022].\*

Ramsey, Jonathon. Nikola announces Badger BEV FCEV pickup truck with 600-mile range. Feb. 11, 2020. Autoblog. <https://www.autoblog.com/2020/02/11/nikola-badger-hydrogen-battery-electric-pickup-truck/#slide-2207823>.\*

Beresford, Colin. Nikola's Badger Is Dead as GM-Nikola Agreement Is Scaled Back Nov. 30, 2020. Car and Driver. <https://www.caranddriver.com/news/a33956909/general-motors-build-nikola-badger-ev-pickup/>.\*

Baldwin, Roberto. Nikola Starts Taking Deposits For its Badger Electric Pickup. Jul. 29, 2020. Car and Driver. <https://www.caranddriver.com/news/a33001530/nikola-badger-deposits-electric-pickup/>.\*

Computer rendering of truck design posted to Twitter on Nov. 22, 2019.

\* cited by examiner

*Primary Examiner* — Manpreet S Matharu  
*Assistant Examiner* — Suzanne E Tisdell  
 (74) *Attorney, Agent, or Firm* — Snell & Wilmer L.L.P.

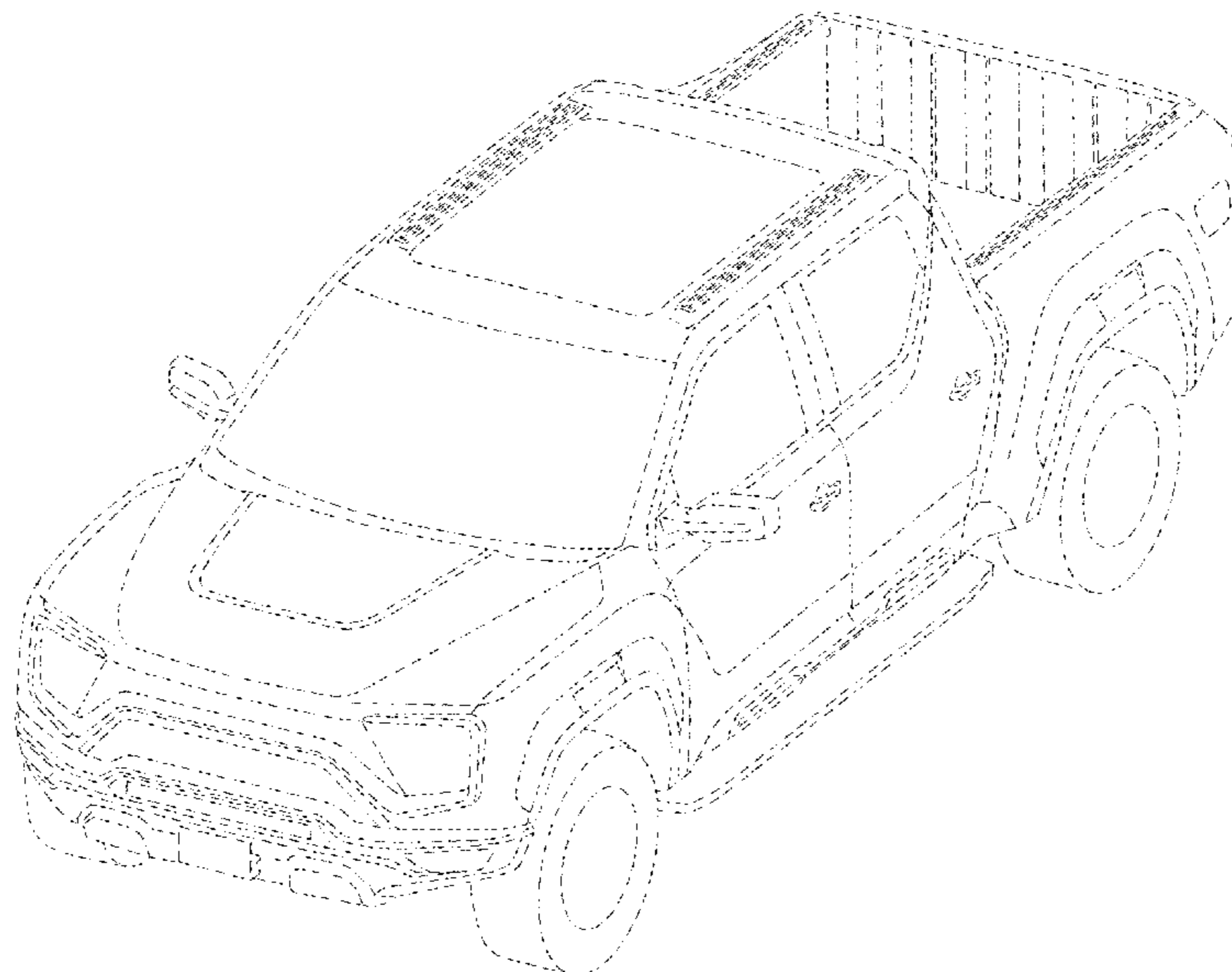
(57) **CLAIM**

The ornamental design for a pickup truck tailgate and lights, as shown and described.

**DESCRIPTION**

FIG. 1 is a top, front, and left perspective view of a pickup truck tailgate and lights embodying a first embodiment of the new design;  
 FIG. 2 is a top, rear, and left perspective view thereof;  
 FIG. 3 is a front elevation view thereof;  
 FIG. 4 is a back elevation view thereof;  
 FIG. 5 is a left side elevation view thereof;  
 FIG. 6 is a right side elevation view thereof;  
 FIG. 7 is a top plan view thereof; and,  
 FIG. 8 is a bottom plan view thereof.  
 The broken lines are included for the purpose of illustrating portions of the truck and form no part of the claimed design.

**1 Claim, 8 Drawing Sheets**



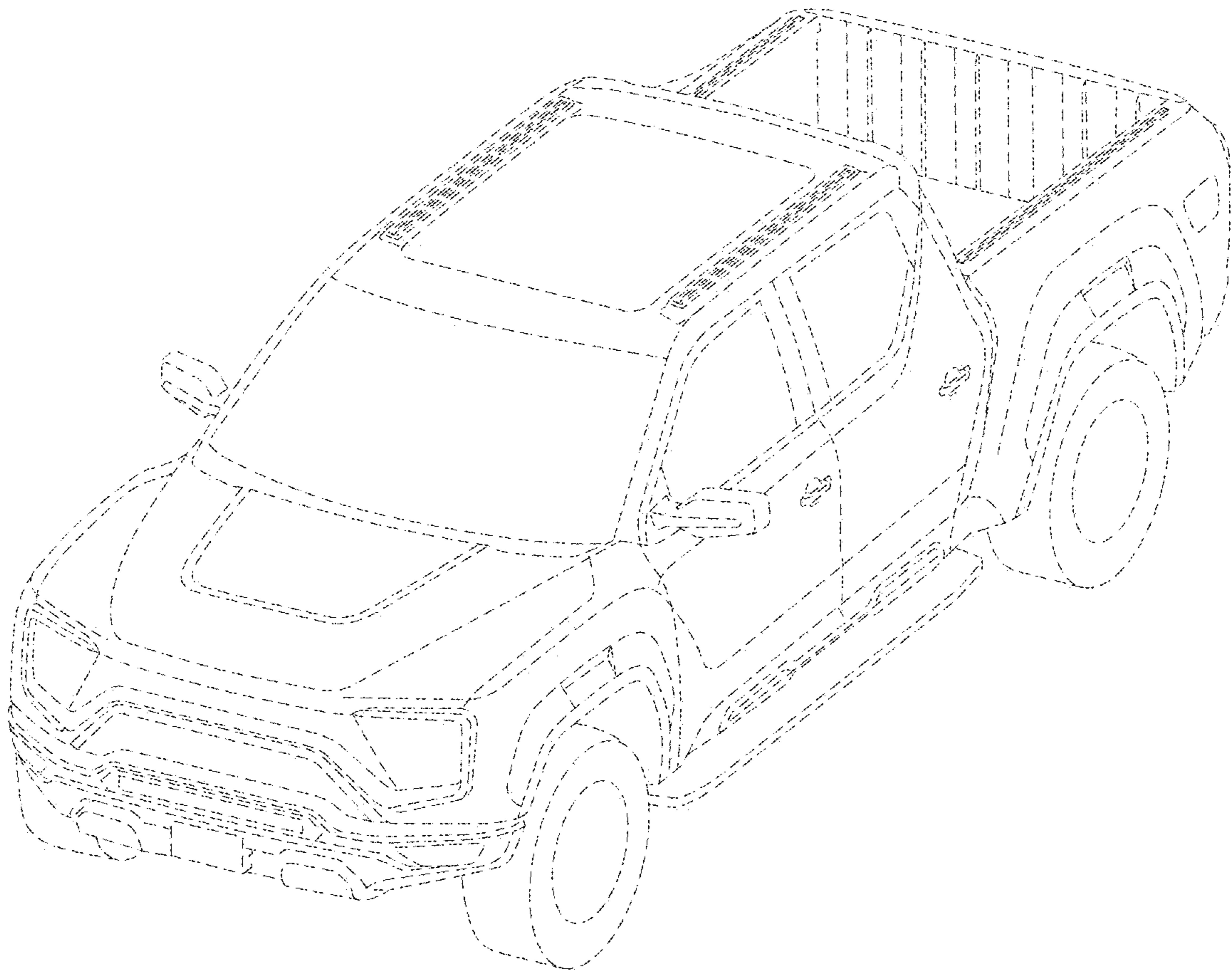


FIG.1

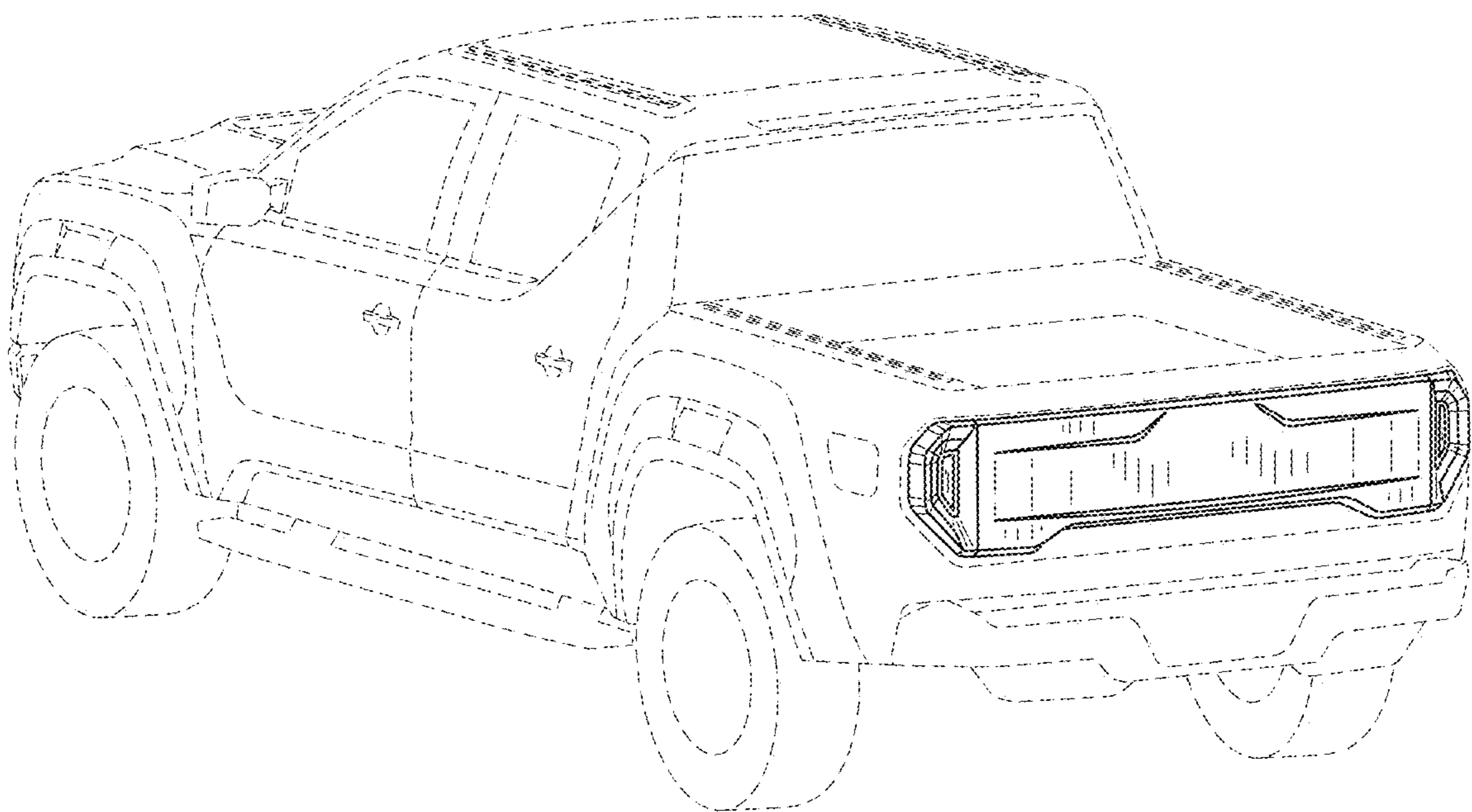


FIG.2

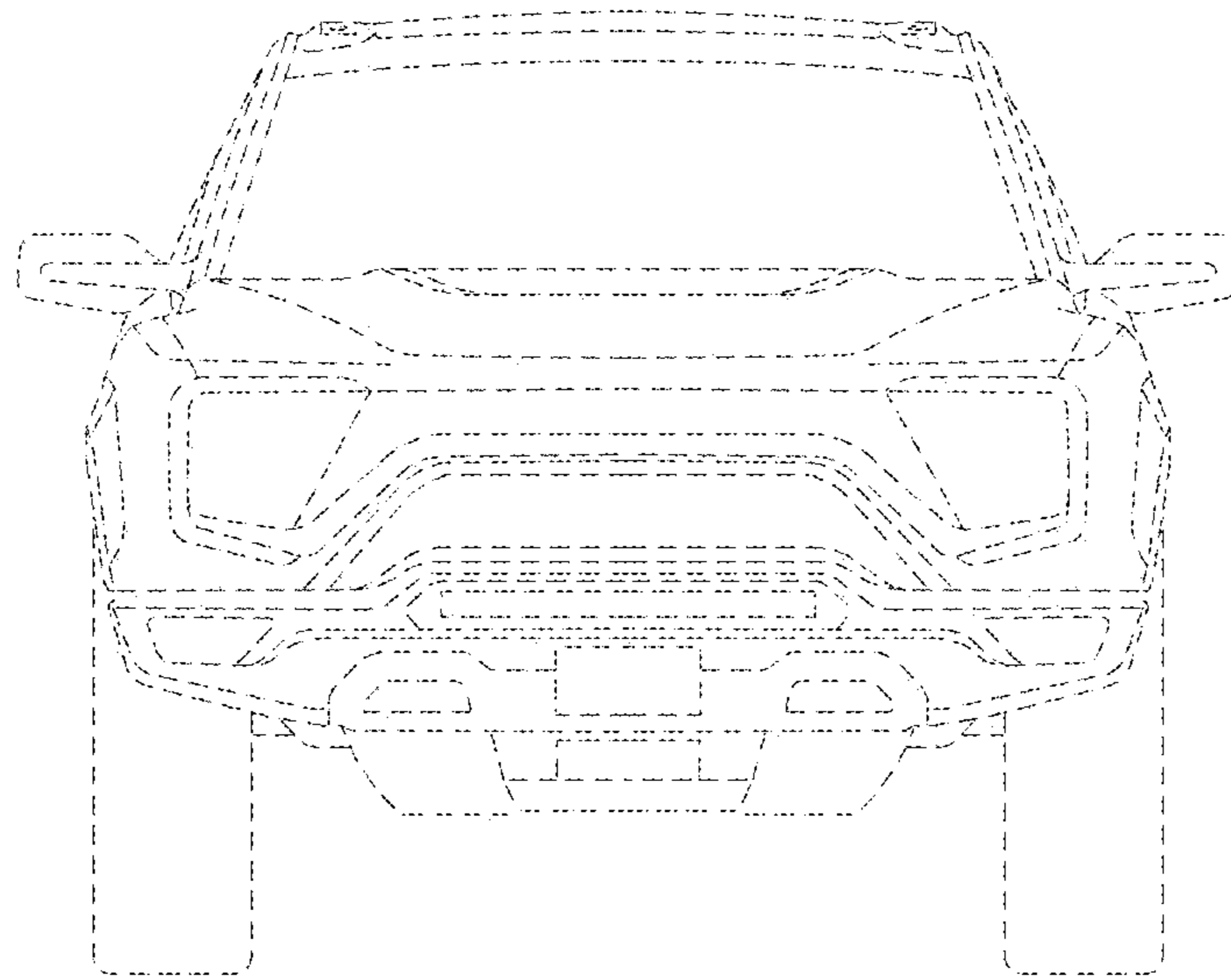


FIG.3

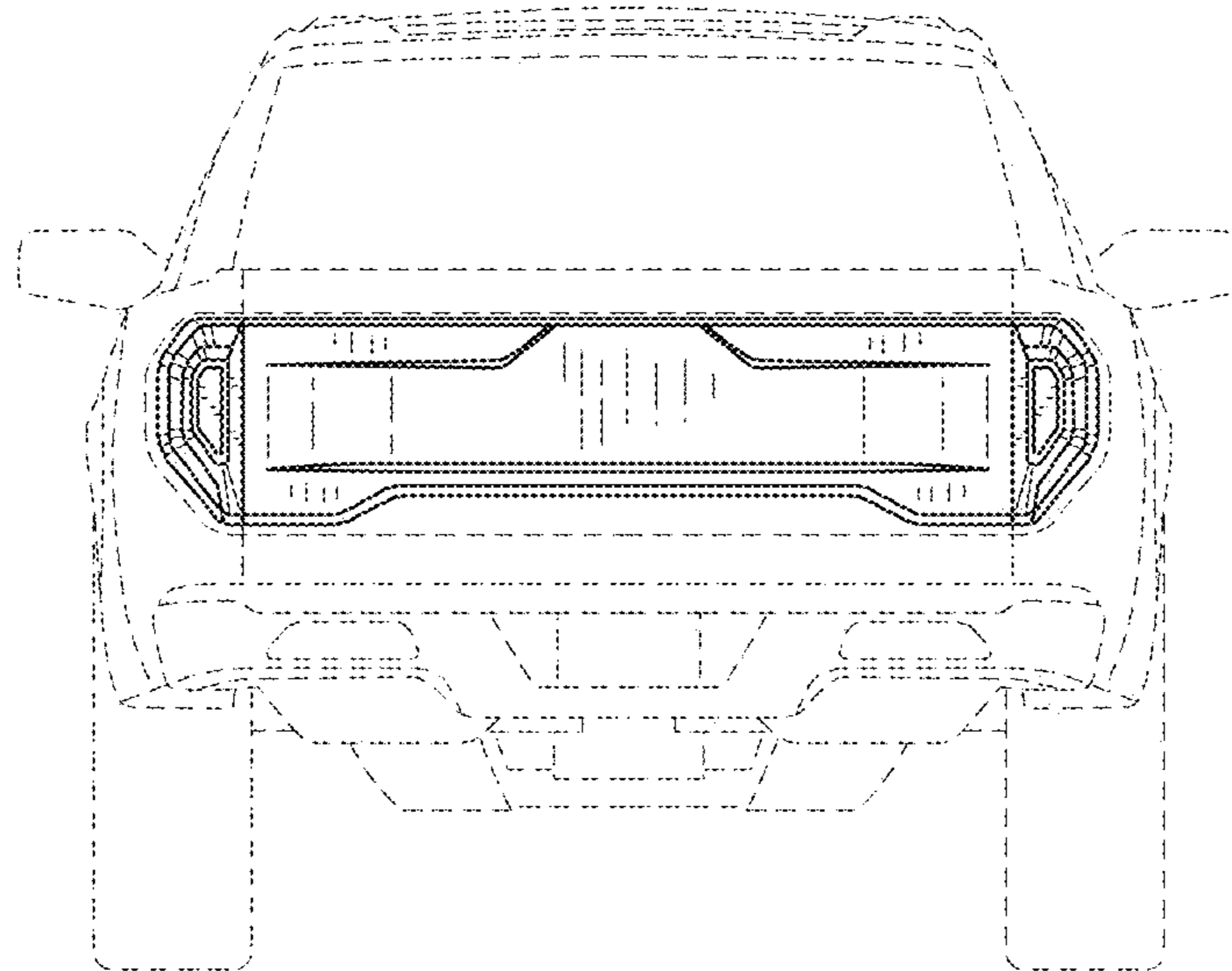


FIG.4

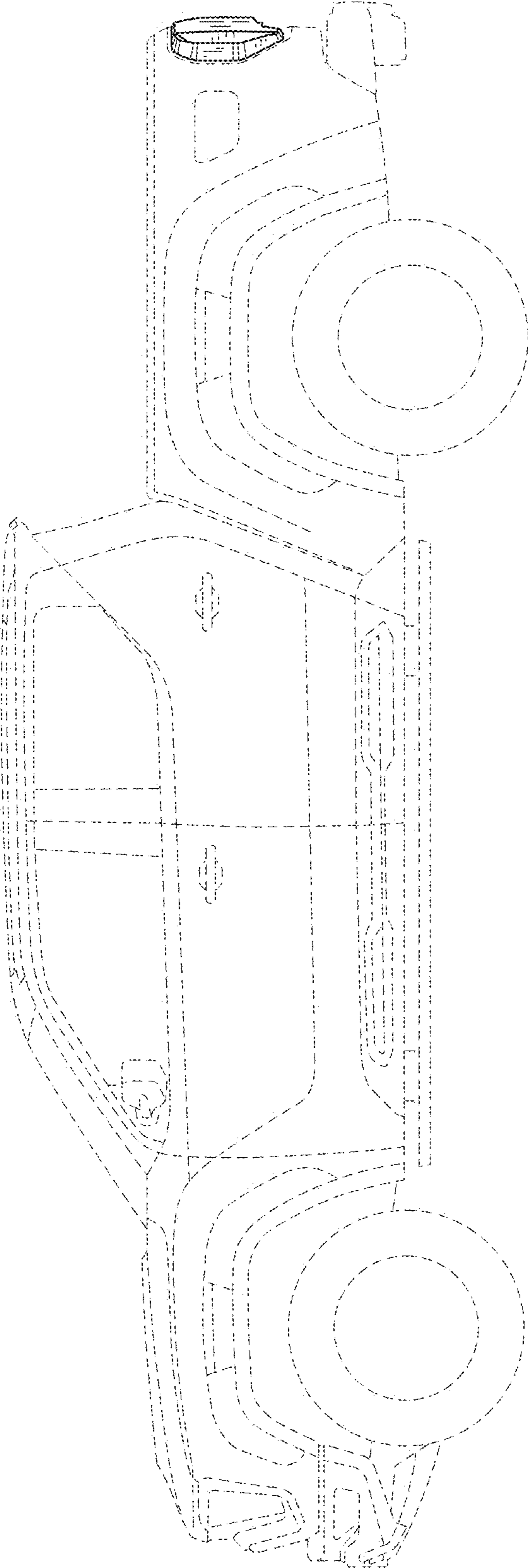


FIG.5

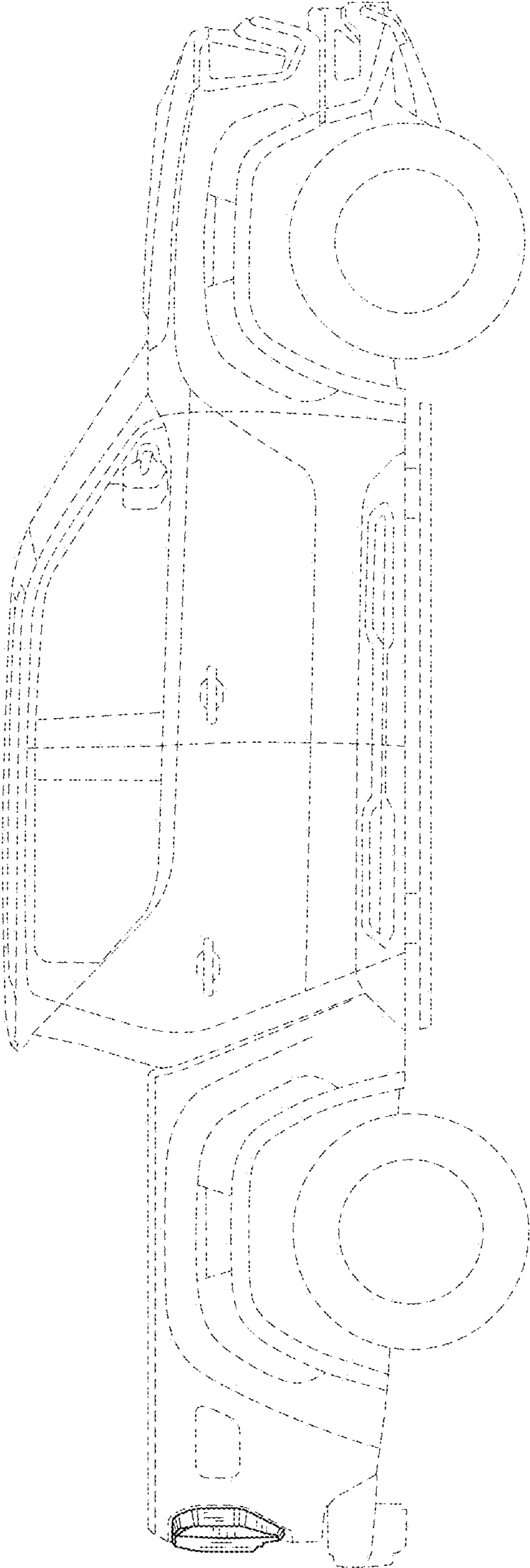


FIG.6

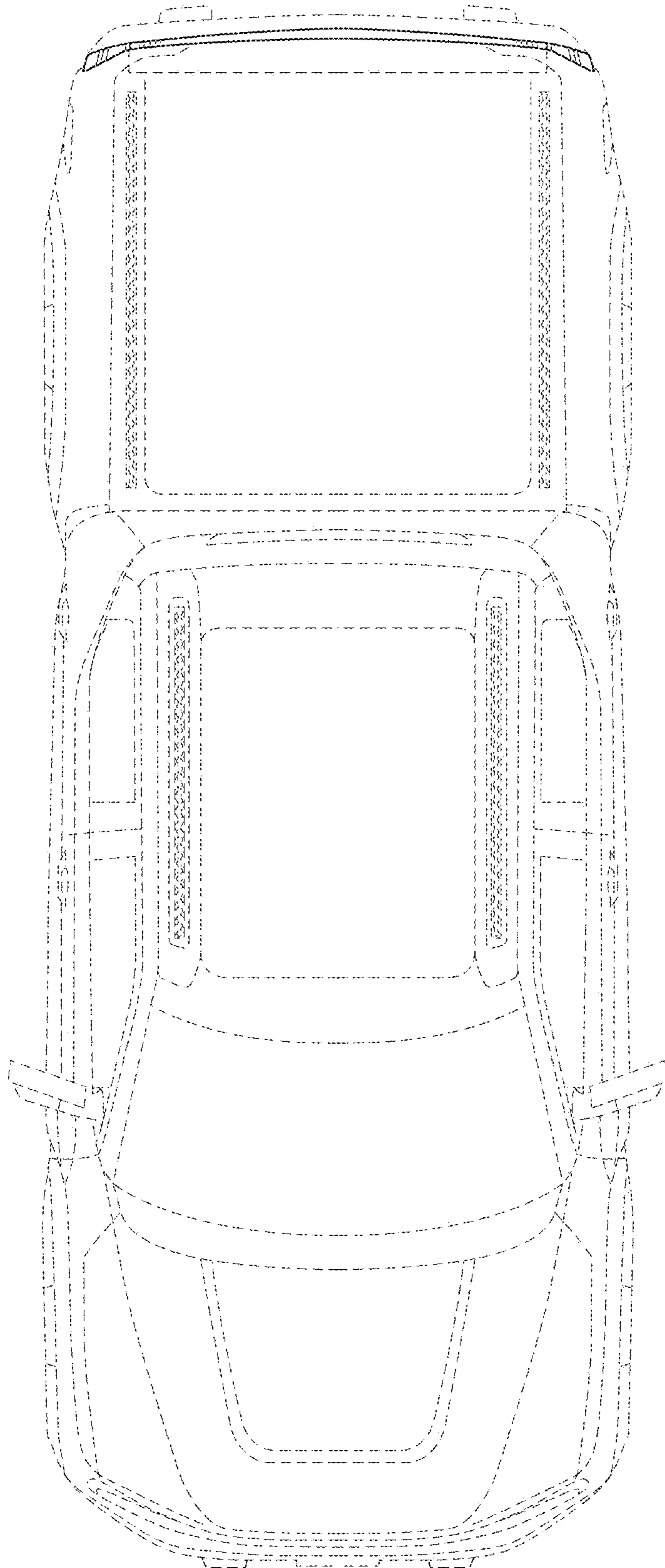


FIG.7



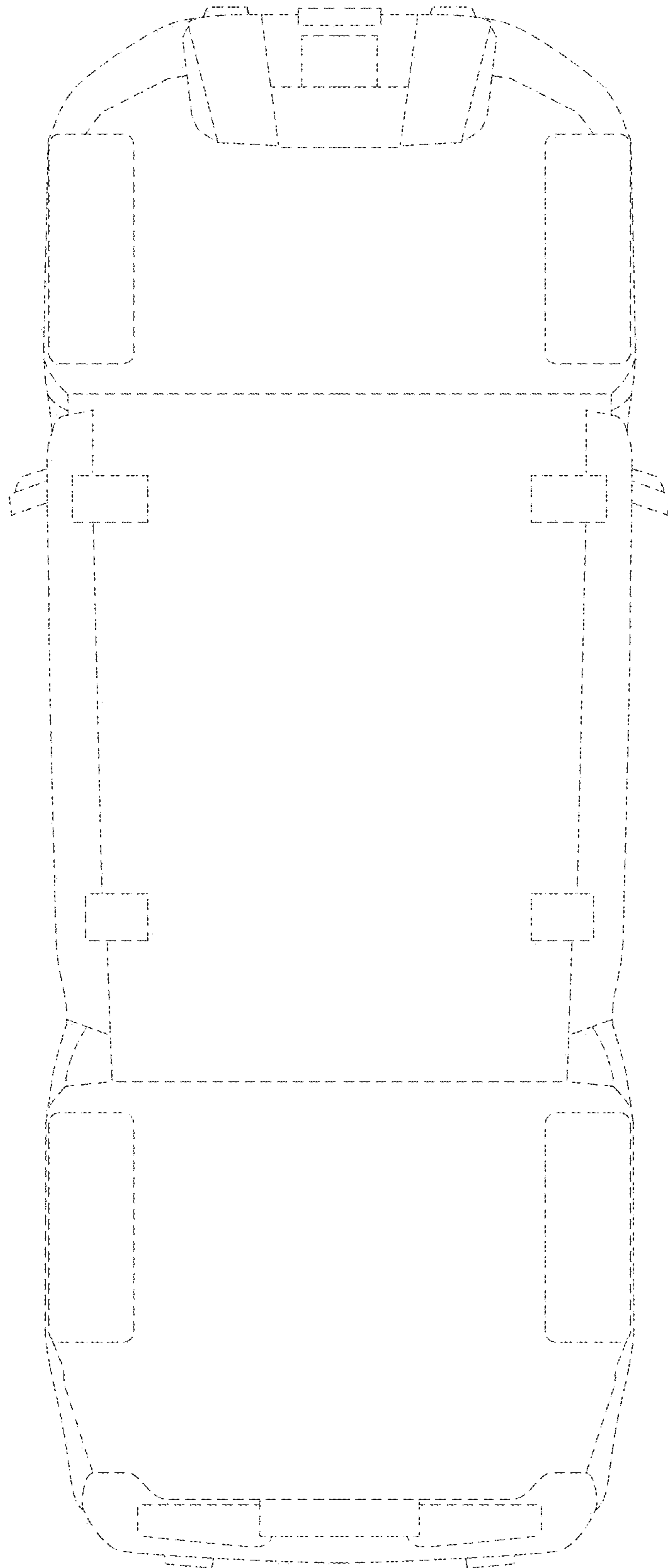


FIG.8