



US00D956647S

(12) **United States Design Patent** (10) **Patent No.:** **US D956,647 S**
Burki (45) **Date of Patent:** **** Jul. 5, 2022**

- (54) **AUTOMOBILE TRIM PANEL**
- (71) Applicant: **Dr. Ing. h.c. F. Porsche Aktiengesellschaft, Stuttgart (DE)**
- (72) Inventor: **Emiel Burki, Stuttgart (DE)**
- (73) Assignee: **Dr. Ing. h.c. F. Porsche Aktiengesellschaft**

D691,538 S *	10/2013	Tada	D12/196
D770,952 S *	11/2016	Heilaneh	D12/181
2002/0171260 A1 *	11/2002	Schneider	B60J 5/043 296/146.6
2002/0185245 A1 *	12/2002	Handa	B62D 25/02 164/92.1
2004/0184278 A1 *	9/2004	Cheron	B60Q 1/263 362/505
2009/0085378 A1 *	4/2009	Borchardt	D04H 1/5418 296/191

(**) Term: **15 Years**

OTHER PUBLICATIONS

(21) Appl. No.: **29/723,663**

Fender trim panels. (Design—© Questel) orbit.com. [Online PDF compilation of references] 49 pgs. Print Dates Range Aug. 12, 2020-Dec. 14, 2020 [Retrieved Jan. 13, 2022].*
2002-2008 Ram Quad Cab Slip On Rocker Panel. Before Jun. 2, 2020. Original Appearance Manufacturing, https://oamusa.com/products/2002-2008-ram-quad-cab-cab-rocker-cover-kit?variant=28951763124301¤cy=USD&utm_medium=_c_u_&utm_source=google&utm_content=&utm_campaign&utm_term=_&clid=EAlalQobChMlzKu2rcGv9QIVx.*

(22) Filed: **Feb. 10, 2020**

(30) **Foreign Application Priority Data**

Sep. 6, 2019 (DE) 40 2019 100 963.9

(51) **LOC (13) Cl.** **12-16**

(52) **U.S. Cl.** **D12/196**
USPC

(58) **Field of Classification Search**
USPC D12/181, 191, 196, 400, 190, 88
CPC B62D 29/00; B23P 6/00; B29C 73/00;
B22D 19/10; B60R 13/02; B60R 13/04
See application file for complete search history.

(Continued)

Primary Examiner — Manpreet S Matharu
Assistant Examiner — Suzanne E Tisdell
(74) *Attorney, Agent, or Firm* — RatnerPrestia

(56) **References Cited**

U.S. PATENT DOCUMENTS

4,651,470 A *	3/1987	Imura	B60J 5/0411 296/146.6
5,061,108 A *	10/1991	Bien	B60R 19/24 403/24
D333,118 S *	2/1993	Stauffer	D12/190
5,320,151 A *	6/1994	Wumer	B27M 3/0093 144/346
D407,360 S *	3/1999	Hellhake	D12/185
6,276,109 B1 *	8/2001	Hingorani	B60R 13/04 52/716.1
D621,756 S *	8/2010	Angelo	D12/184

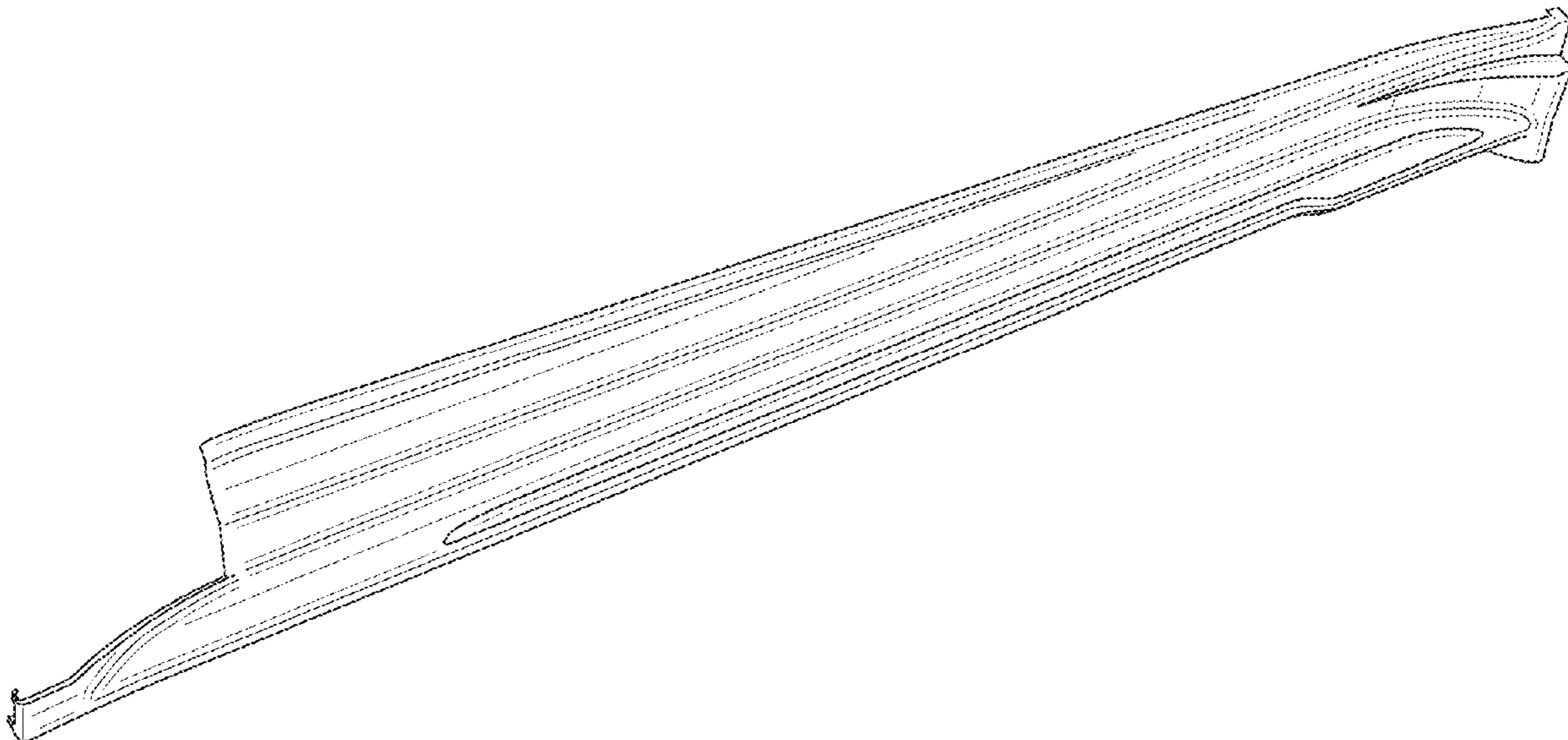
(57) **CLAIM**

The ornamental design for an automotive trim panel, as shown and described.

DESCRIPTION

FIG. 1 is a perspective view of an automotive trim panel;
FIG. 2 is an enlarged front elevation view thereof;
FIG. 3 is an enlarged rear elevation view thereof;
FIG. 4 is a right side view thereof;
FIG. 5 is a left side view thereof;
FIG. 6 is a top view thereof; and,
FIG. 7 is a bottom view thereof.

1 Claim, 7 Drawing Sheets



(56)

References Cited

OTHER PUBLICATIONS

1990-1998 Mazda Miata Rocker Panel Driver Side. Before Feb. 12, 2018. Raybuck Auto Parts, https://raybuck.com/product/1990-97-mazda-miata-oe-style-rocker-panel-driver-side/?gclid=EAIaIQobChMlZKu2rcGv9QIVx_rlCh0CtwgDEAQYDCABEgLBmPD_BwE&gclidsrc=aw.ds.*

1999-2006 Silverado/ Sierra Extended Cab 4Door Slip On Rocker Panel. Before Mar. 8, 2020. Original Appearance Manufacturing, https://oamusa.com/products/1999-2006-silverado-sierra-extended-cab-cab-rocker-cover-kit-4-door?variant=28951764533325¤cy=USD&utm_medium=_c_u_&utm_source=google&utm_content=&utm_cam.*

* cited by examiner

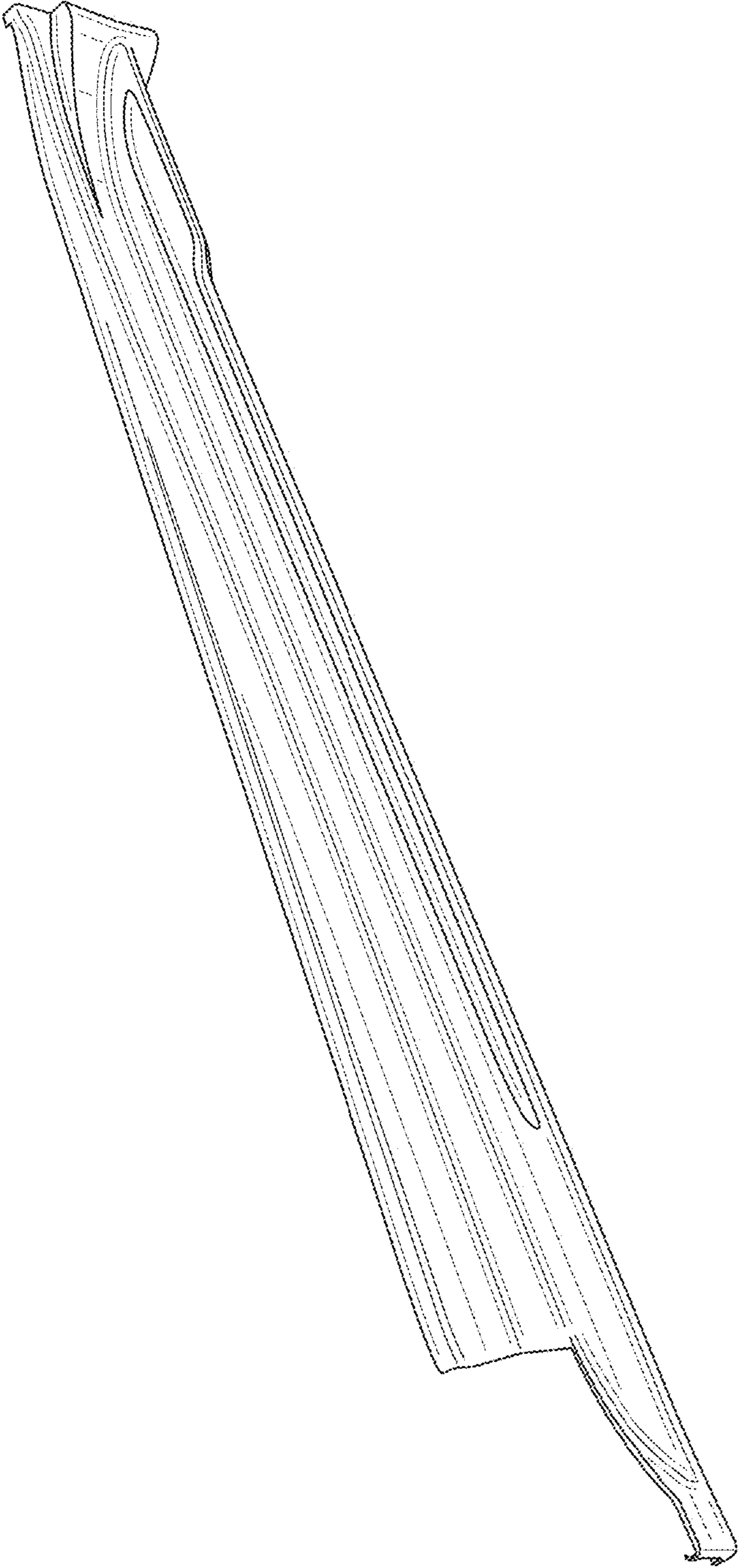


FIG. 1

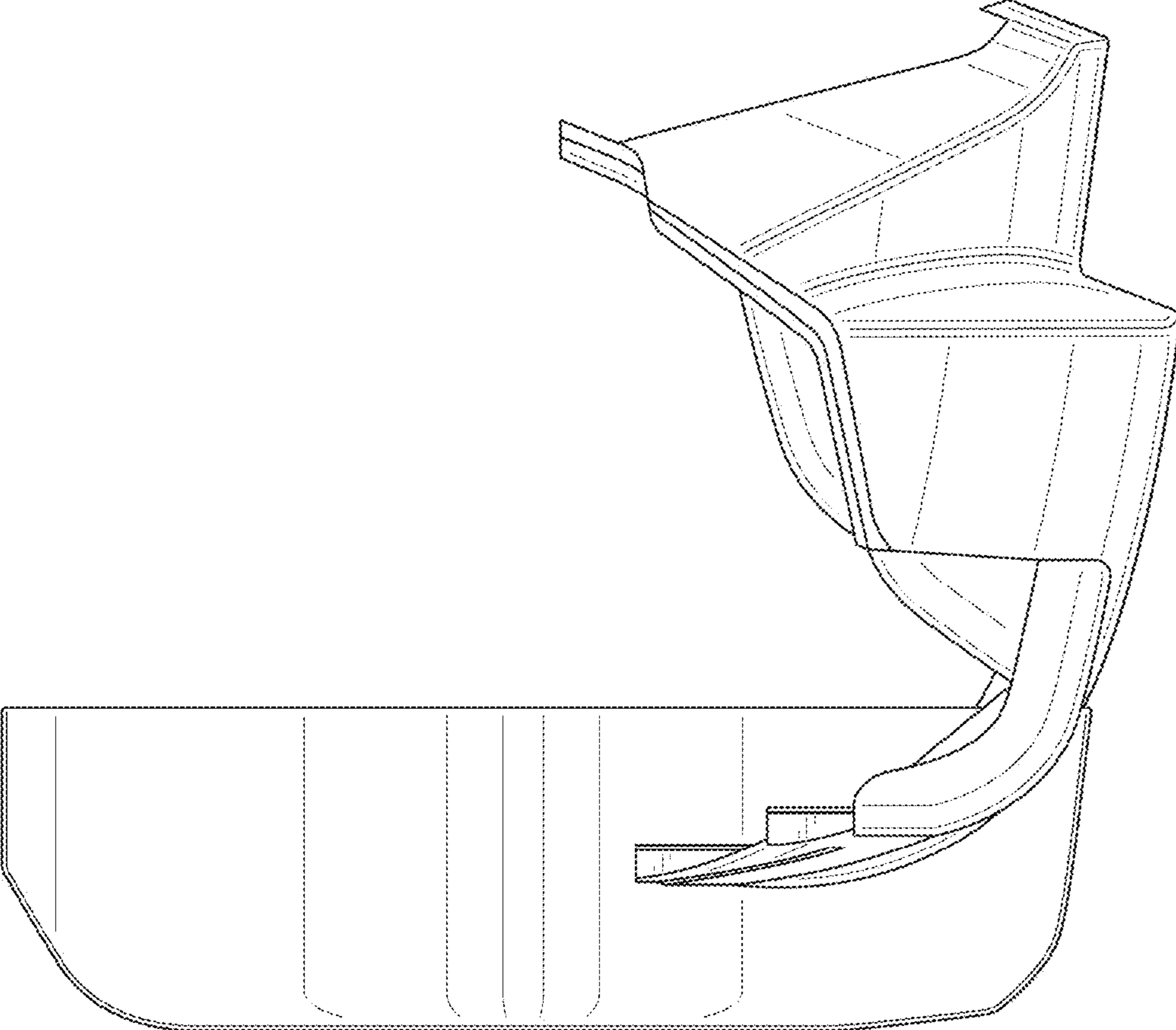


FIG. 2

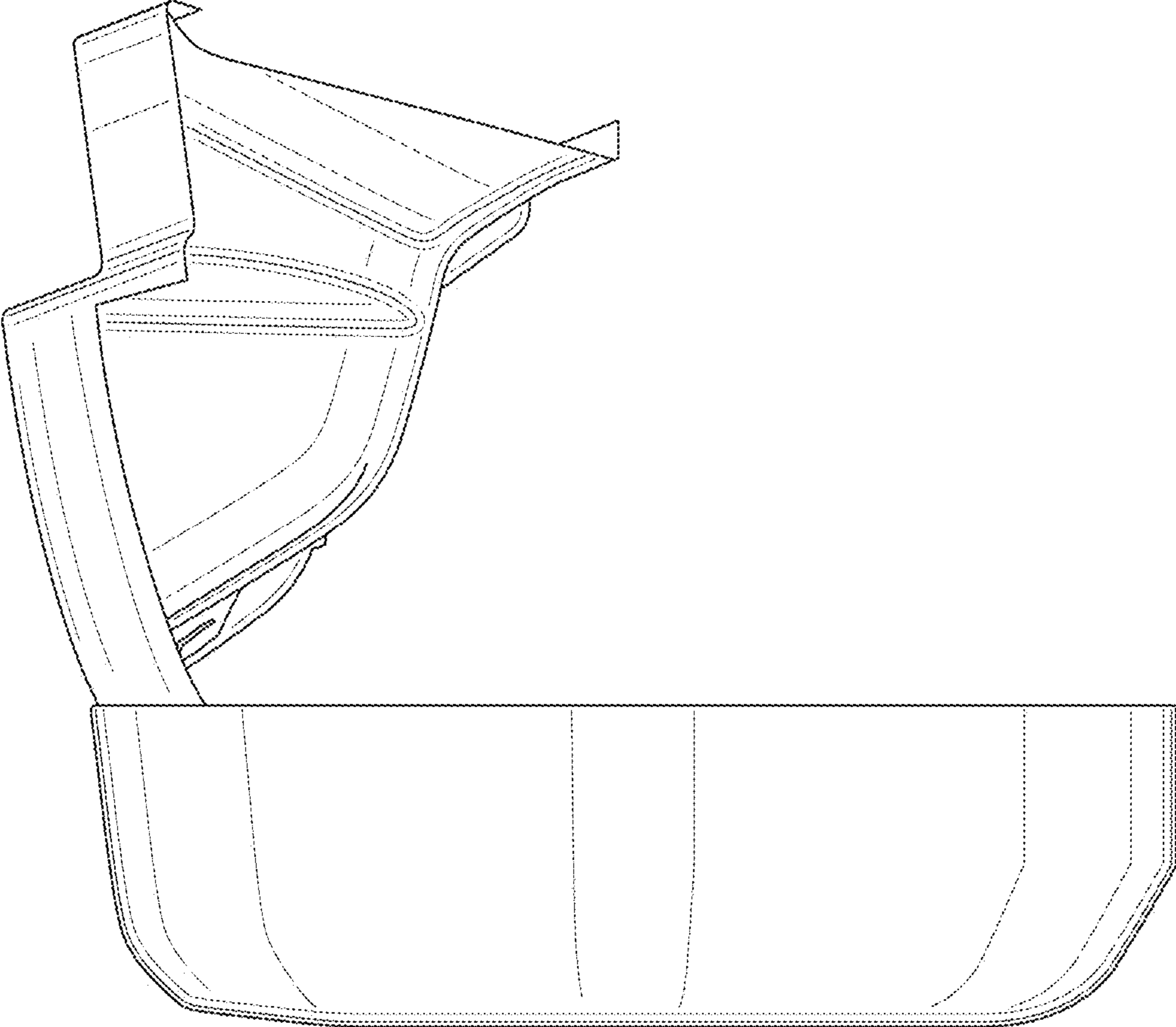


FIG. 3

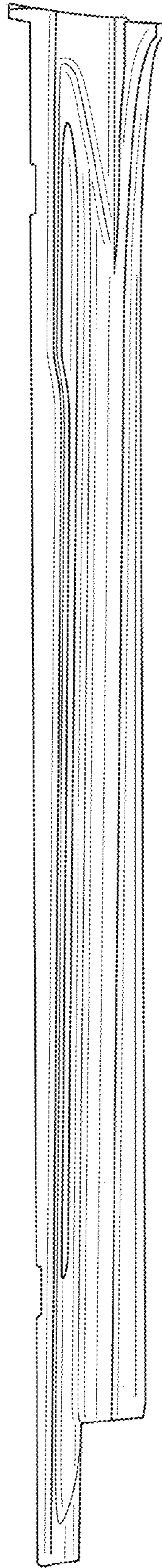


FIG. 4

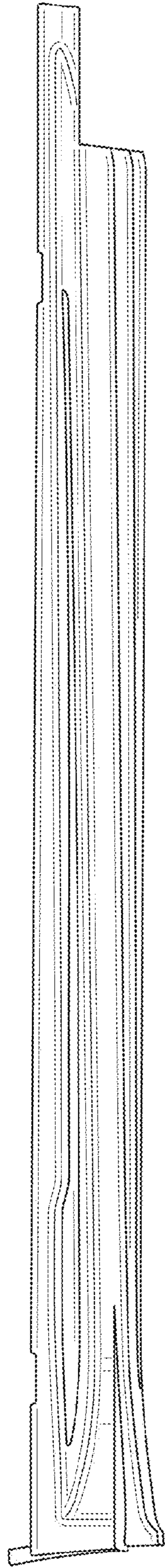


FIG. 5

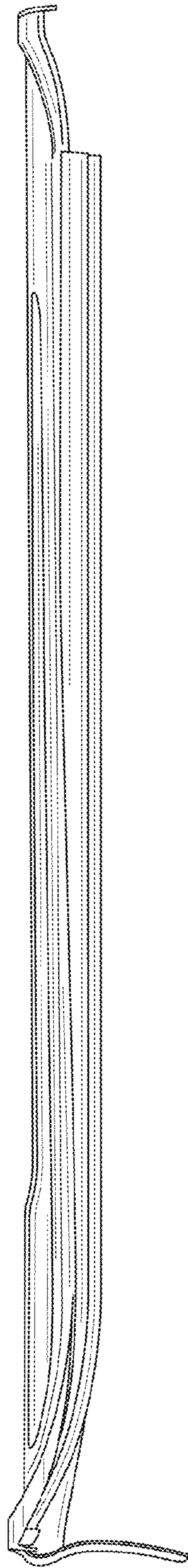


FIG. 6

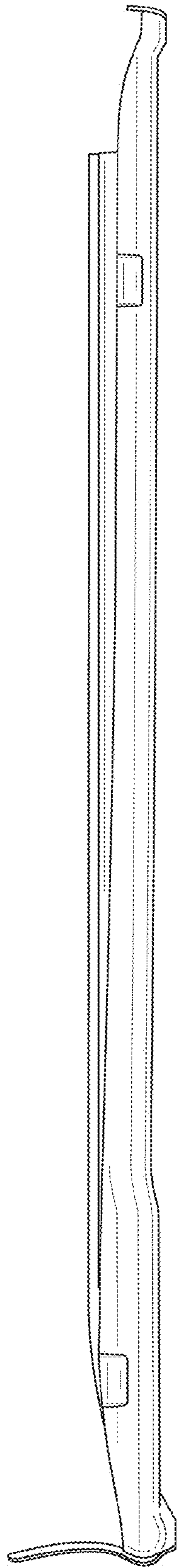


FIG. 7