



US00D956645S

(12) **United States Design Patent**  
**Akrapovic et al.**

(10) **Patent No.:** **US D956,645 S**

(45) **Date of Patent:** **\*\* Jul. 5, 2022**

(54) **TAILPIPE**

(71) Applicant: **Igor Akrapovic**, Ljubljana (SI)

(72) Inventors: **Igor Akrapovic**, Ljubljana (SI); **Ermin Kosovel**, Zgornje Gorje (SI); **Primož Hauptman**, Šentvid pri Sticni (SI); **Peter Šprajc**, Ljubljana-Crnuce (SI); **Jaka Klemenc**, Ljubljana (SI); **Boštjan Veber**, Polzela (SI)

(\*\*) Term: **15 Years**

(21) Appl. No.: **35/511,155**

(22) Filed: **Dec. 24, 2020**

(80) **Hague Agreement Data**

Int. Filing Date: **Dec. 24, 2020**

Int. Reg. No.: **DM/212046**

Int. Reg. Date: **Dec. 24, 2020**

Int. Reg. Pub. Date: **Jan. 15, 2021**

(30) **Foreign Application Priority Data**

Jul. 7, 2020 (EM) ..... 008033468-0002

(51) **LOC (13) Cl.** ..... **12-16**

(52) **U.S. Cl.**  
USPC ..... **D12/194**

(58) **Field of Classification Search**  
USPC ..... D12/194; D15/5  
CPC ... F01N 1/04; F01N 1/24; F01N 13/08; F01N 13/082; F01N 13/085; F01N 13/087  
See application file for complete search history.

(56) **References Cited**

**U.S. PATENT DOCUMENTS**

D488,114 S \* 4/2004 Kulla ..... D12/194  
D540,231 S \* 4/2007 Braun ..... D12/194

D597,915 S \* 8/2009 Bhambra ..... D12/194  
D600,186 S \* 9/2009 Bhambra ..... D12/194  
D654,416 S \* 2/2012 Lemon ..... D12/194  
D675,141 S \* 1/2013 Lemon ..... D12/194  
D882,475 S \* 4/2020 Žagar ..... D12/194  
D882,476 S \* 4/2020 Žagar ..... D12/194  
D918,110 S \* 5/2021 Akrapovic ..... D12/194  
2005/0205355 A1 \* 9/2005 Lin ..... F01N 13/082  
181/227  
2016/0201529 A1 \* 7/2016 Baillie ..... F01N 1/08  
181/227  
2021/0293173 A1 \* 9/2021 Hugh ..... F01N 13/107

\* cited by examiner

*Primary Examiner* — Darlington Ly

(74) *Attorney, Agent, or Firm* — Olson & Cepuritis, Ltd.

(57) **CLAIM**

The ornamental design for a tailpipe, as shown and described.

**DESCRIPTION**

1. Tailpipe

1.1 is a top, rear, and right side perspective view of a tailpipe embodying our new design;

1.2 is a top, rear, and left side perspective view thereof;

1.3 is a front elevation view thereof;

1.4 is a rear elevation view thereof;

1.5 is a right side elevation view thereof;

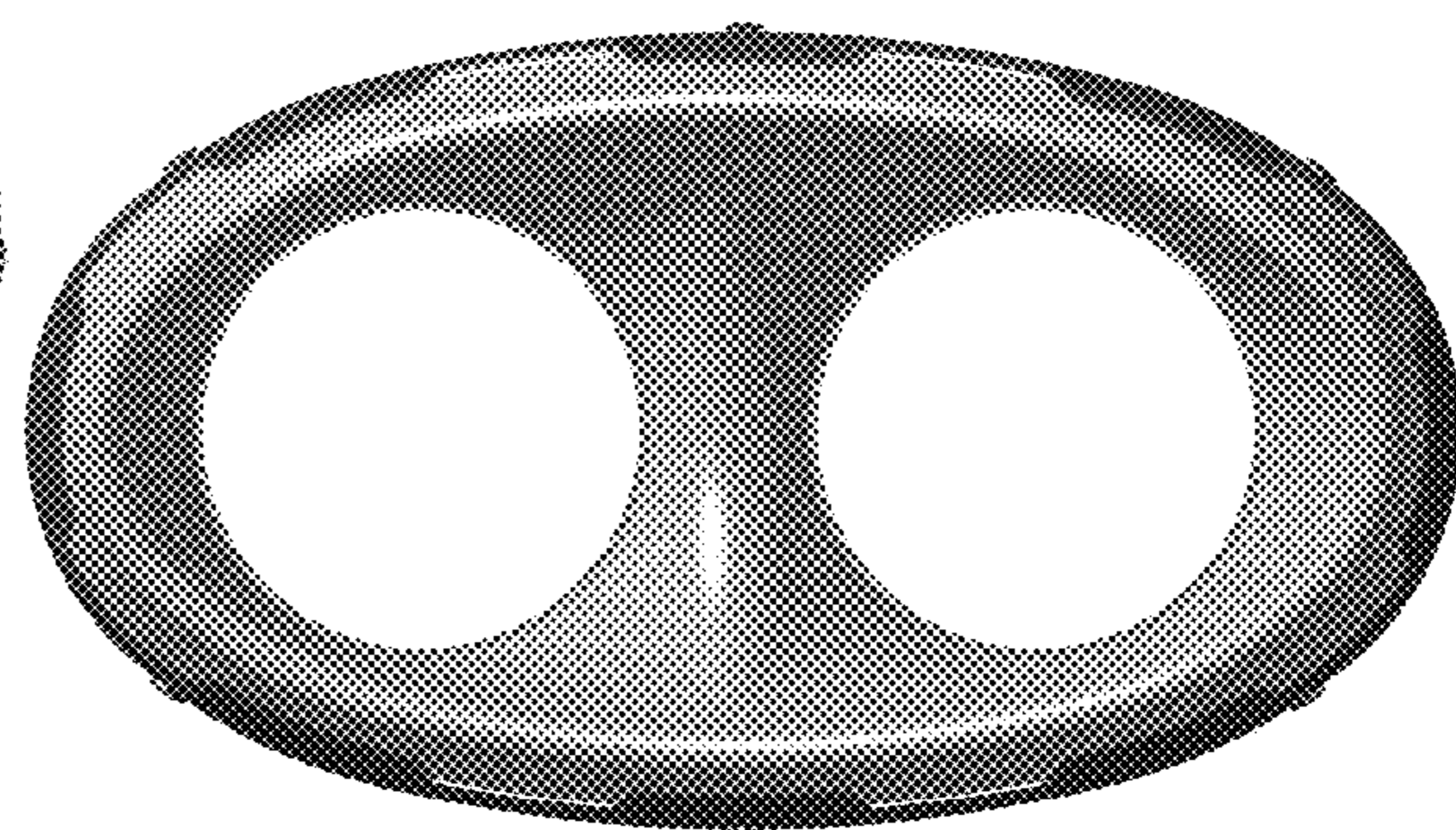
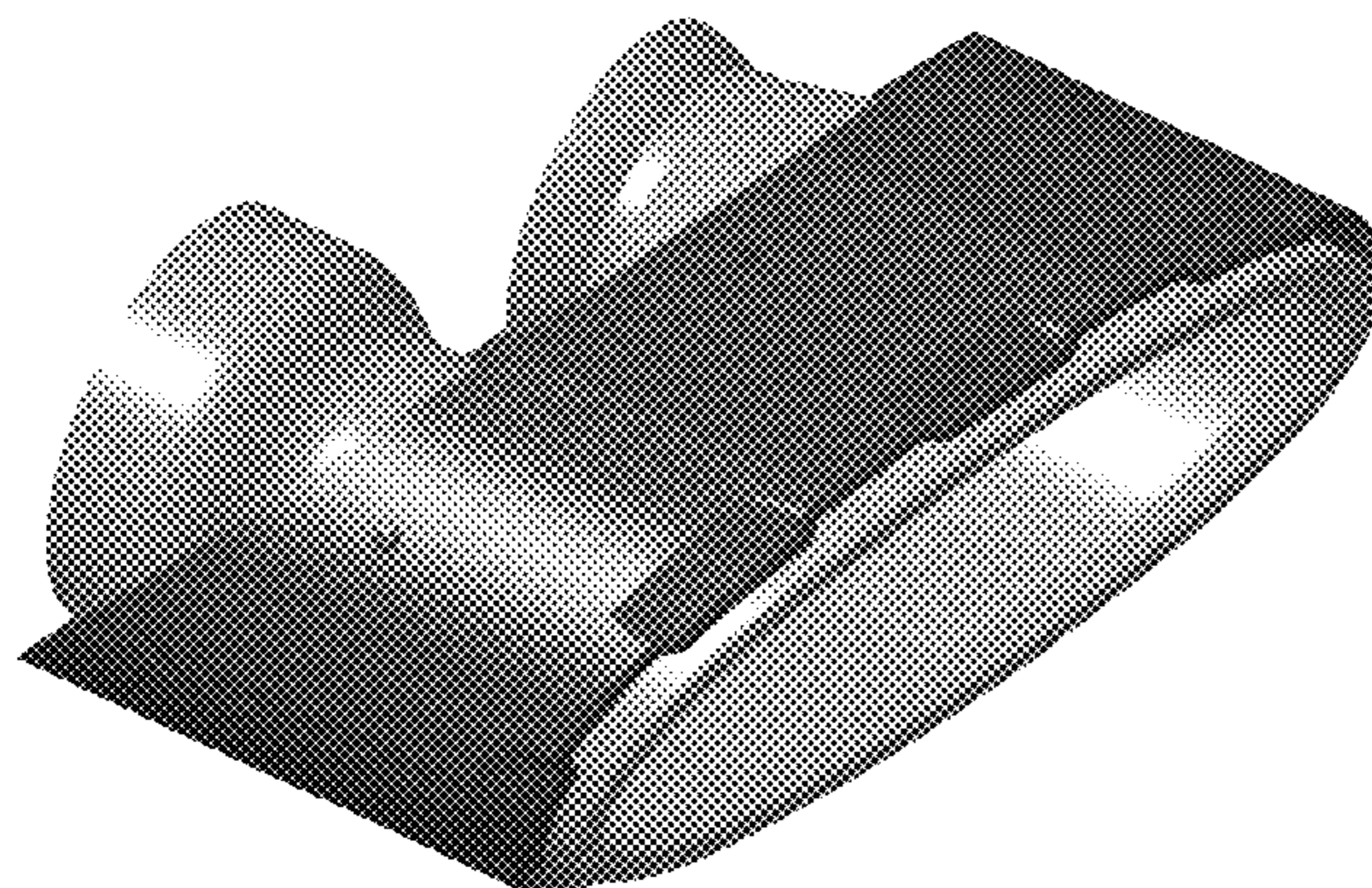
1.6 is a left side elevation view thereof;

1.7 is a top plan view thereof;

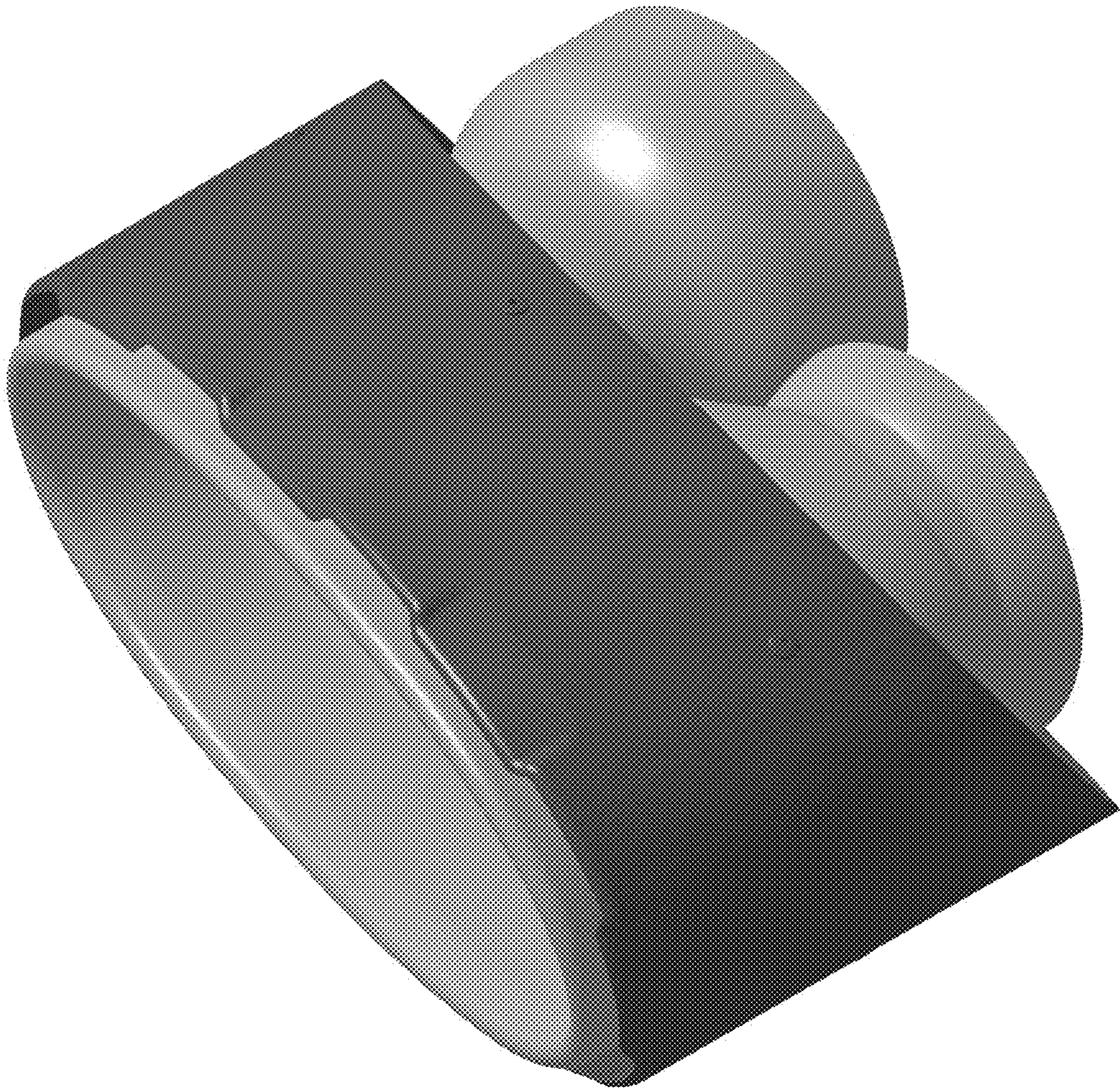
1.8 is a bottom plan view thereof; and

1.9 is a top, front, and right side perspective view thereof.

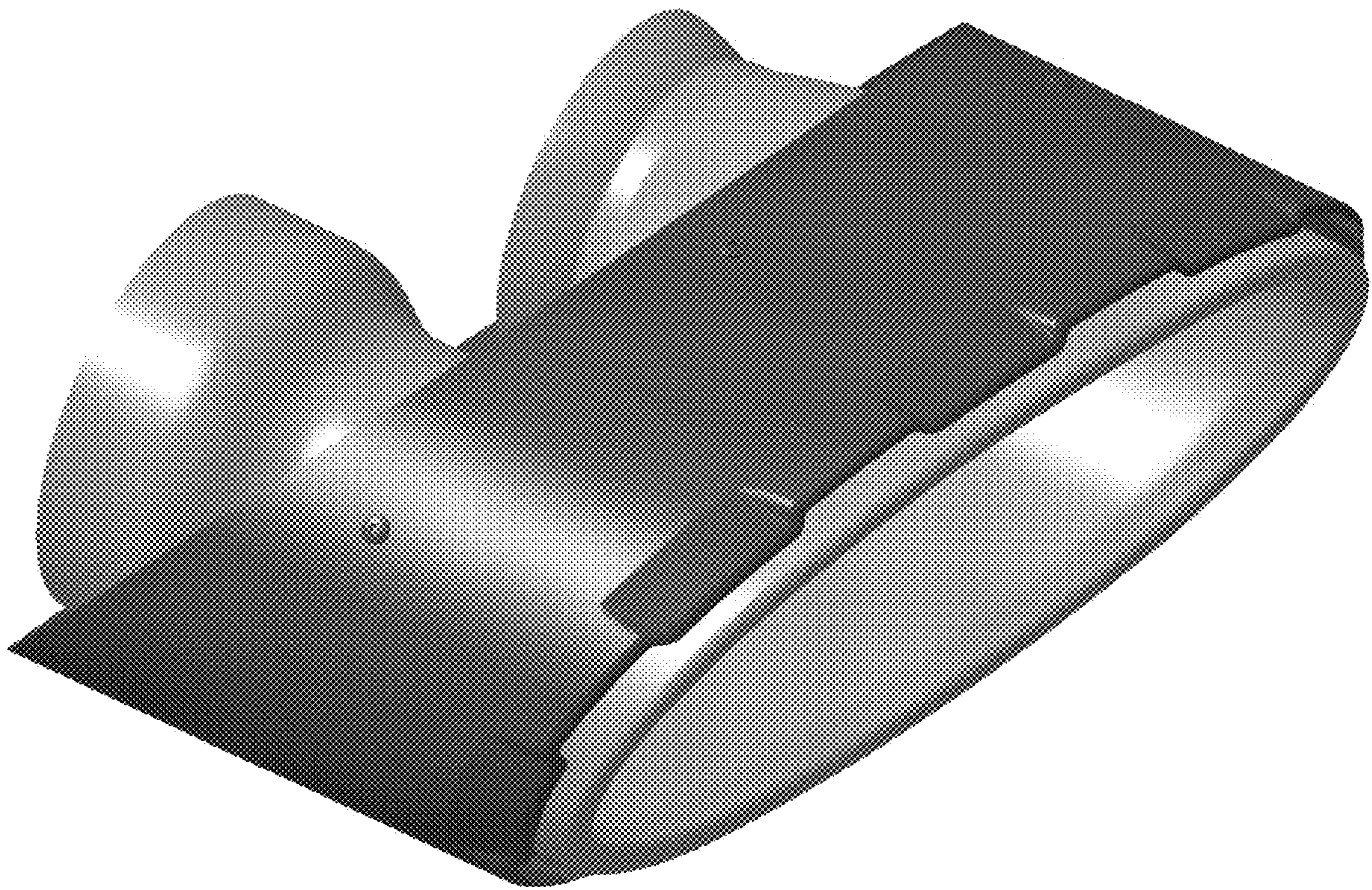
**1 Claim, 9 Drawing Sheets**



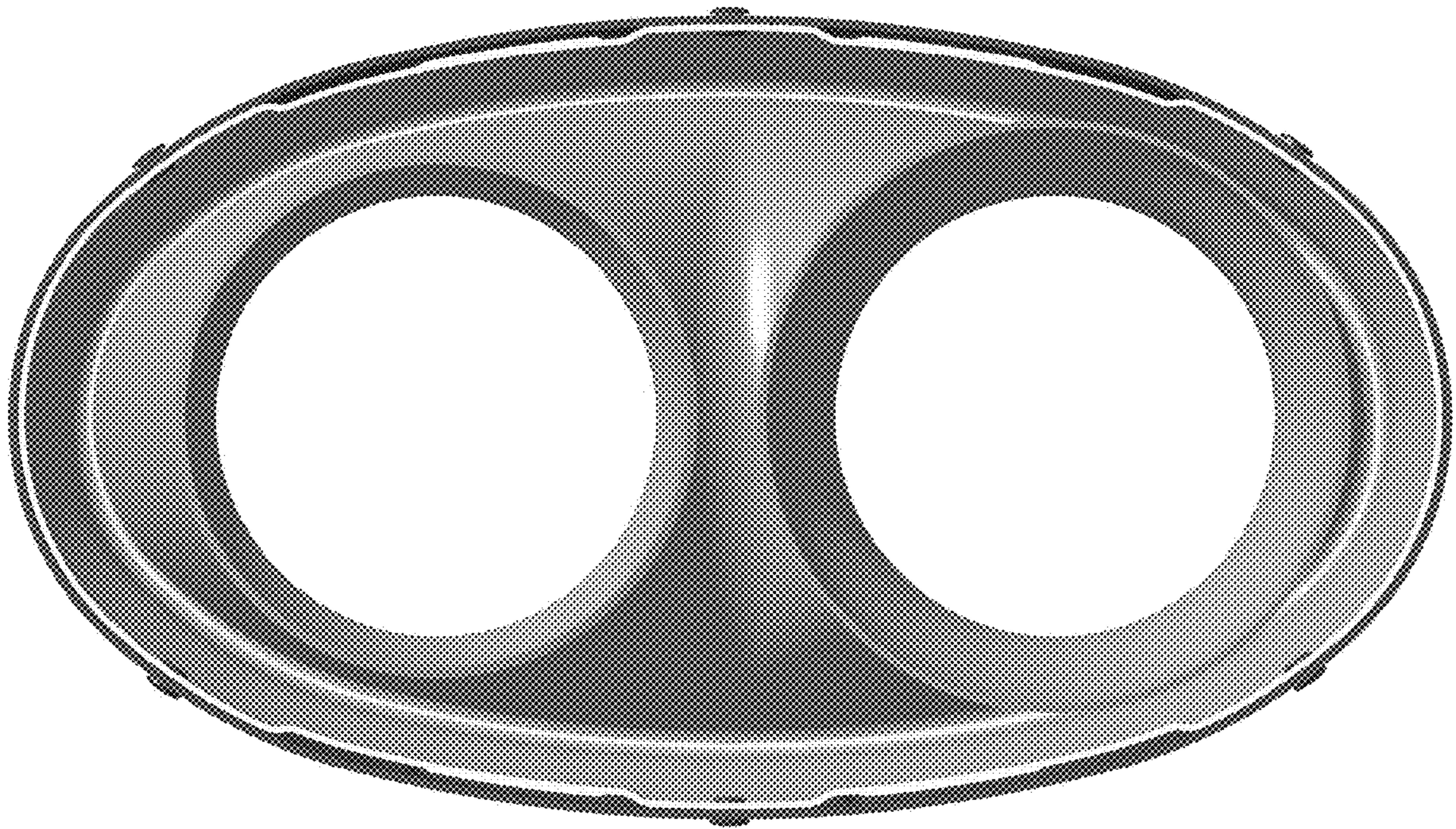
1.1



1.2



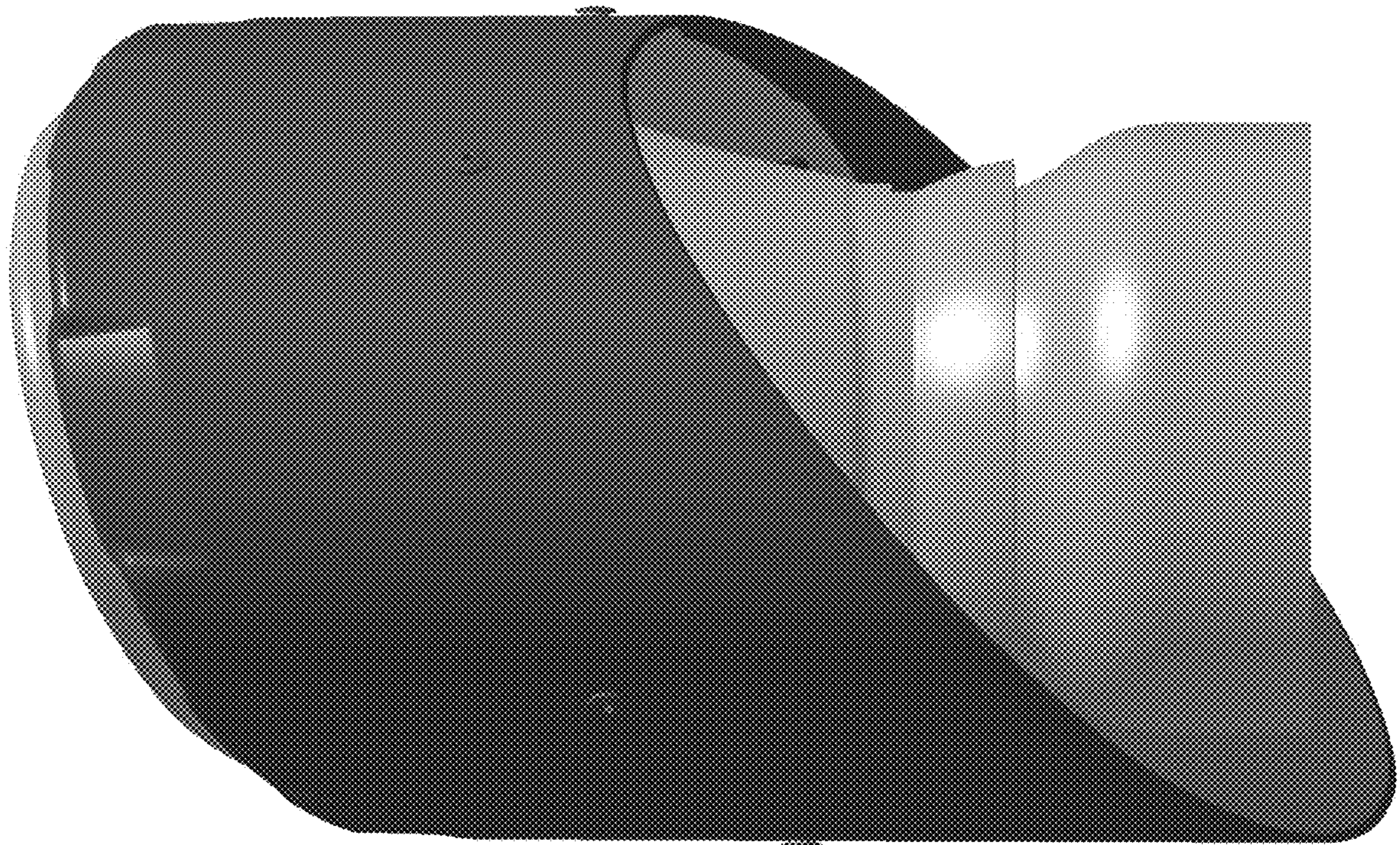
1.3



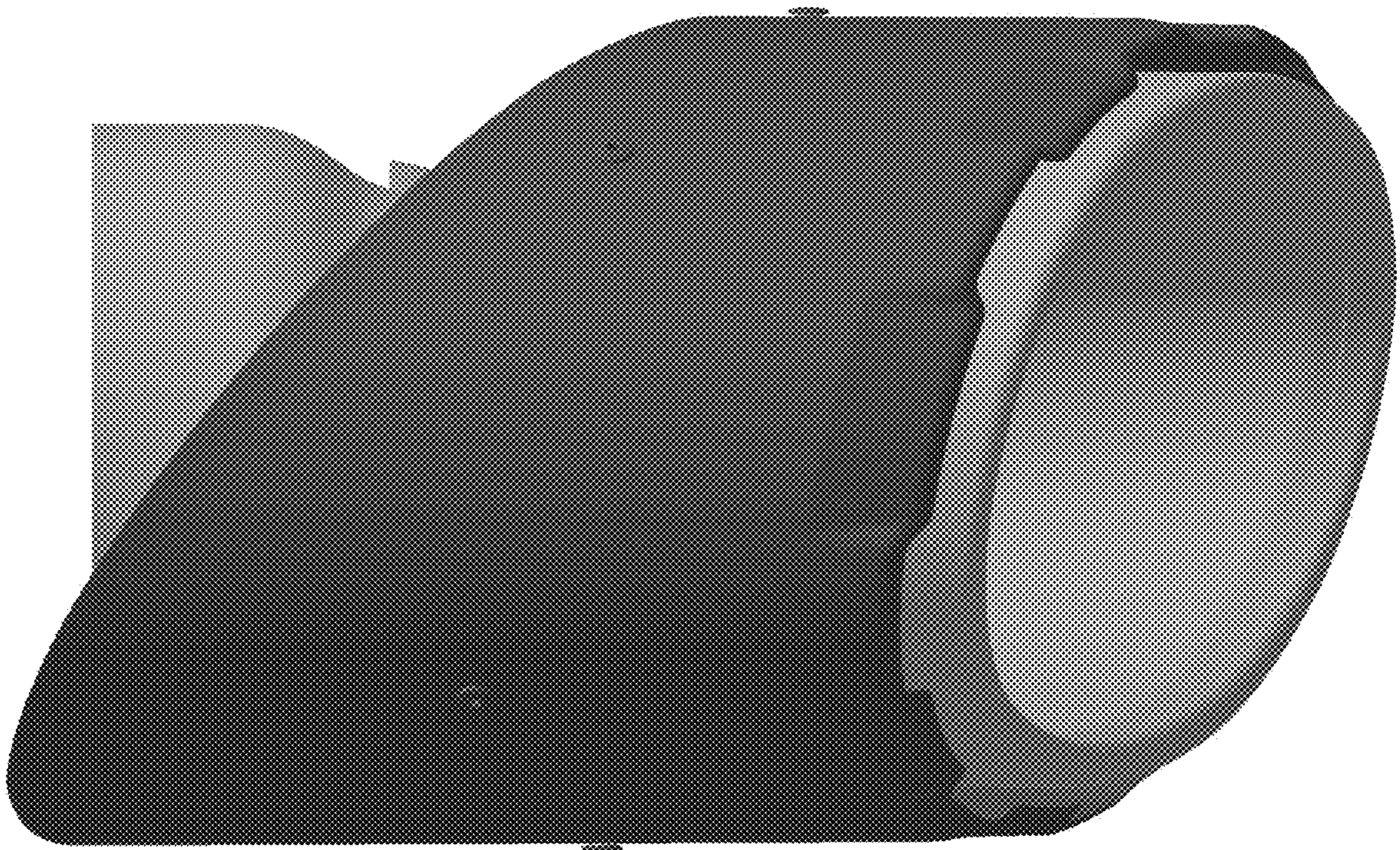
1.4



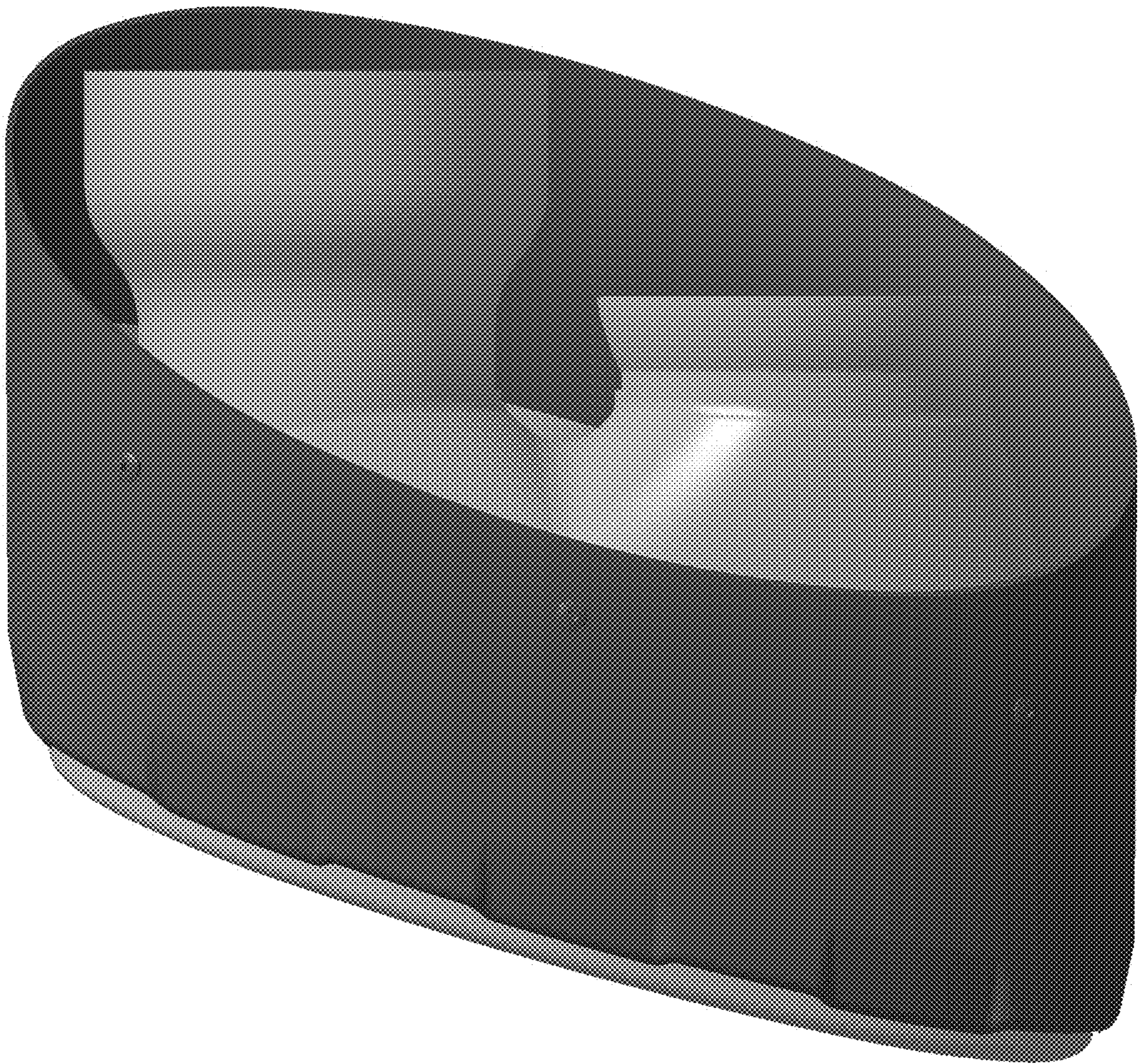
1.5



1.6

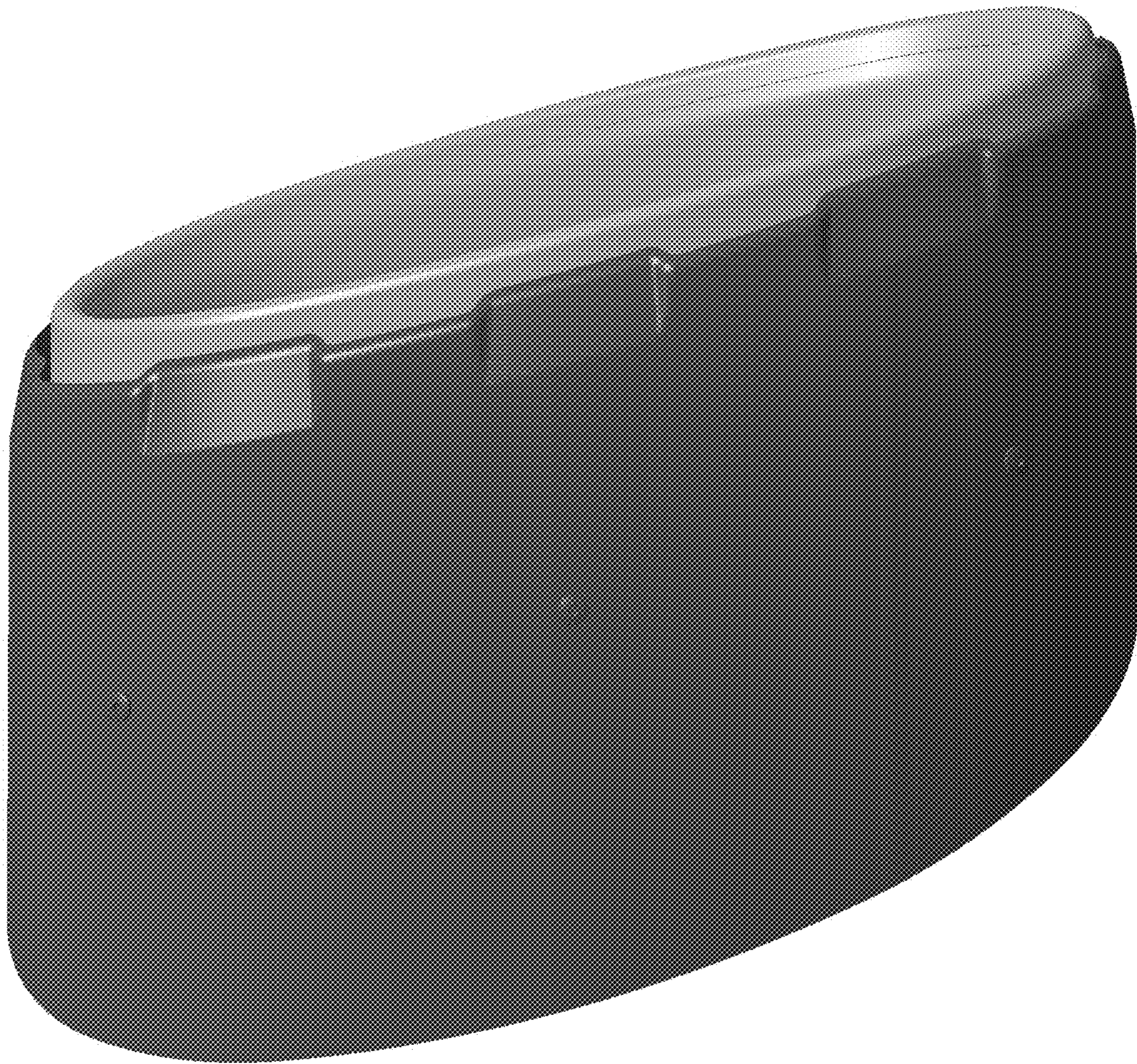


1.7





1.8



1.9

