



US00D956644S

(12) **United States Design Patent**
Karnes

(10) **Patent No.:** **US D956,644 S**

(45) **Date of Patent:** **** Jul. 5, 2022**

- (54) **LICENSE PLATE FRAME**
- (71) Applicant: **Plasticolor Molded Products Inc.**,
Fullerton, CA (US)
- (72) Inventor: **Mike Karnes**, Fullerton, CA (US)
- (73) Assignee: **Plasticolor Molded Products, Inc.**,
Fullerton, CA (US)
- (**) Term: **15 Years**
- (21) Appl. No.: **29/722,442**
- (22) Filed: **Jan. 29, 2020**
- (51) **LOC (13) Cl.** **12-16**
- (52) **U.S. Cl.**
USPC **D12/193**
- (58) **Field of Classification Search**
USPC D12/193; D6/300, 301, 302, 310, 311,
D6/312, 313, 314; D20/13
CPC B60R 13/10; B60R 13/105; B60R 19/24;
B60R 19/52
See application file for complete search history.

- D676,792 S * 2/2013 Benjamini D12/193
- D715,202 S * 10/2014 Spencer D12/193
- D824,828 S * 8/2018 Marksteiner D12/193
- D839,807 S * 2/2019 Larson D12/193
- D872,666 S * 1/2020 Marksteiner D12/193
- 2003/0079381 A1* 5/2003 Arens B60R 13/005
40/210

* cited by examiner

Primary Examiner — Natasha Vujcic

(74) *Attorney, Agent, or Firm* — Stradling Yocca Carlson & Rauth

(57) **CLAIM**

I claim, the ornamental design for a license plate frame, as shown and described.

DESCRIPTION

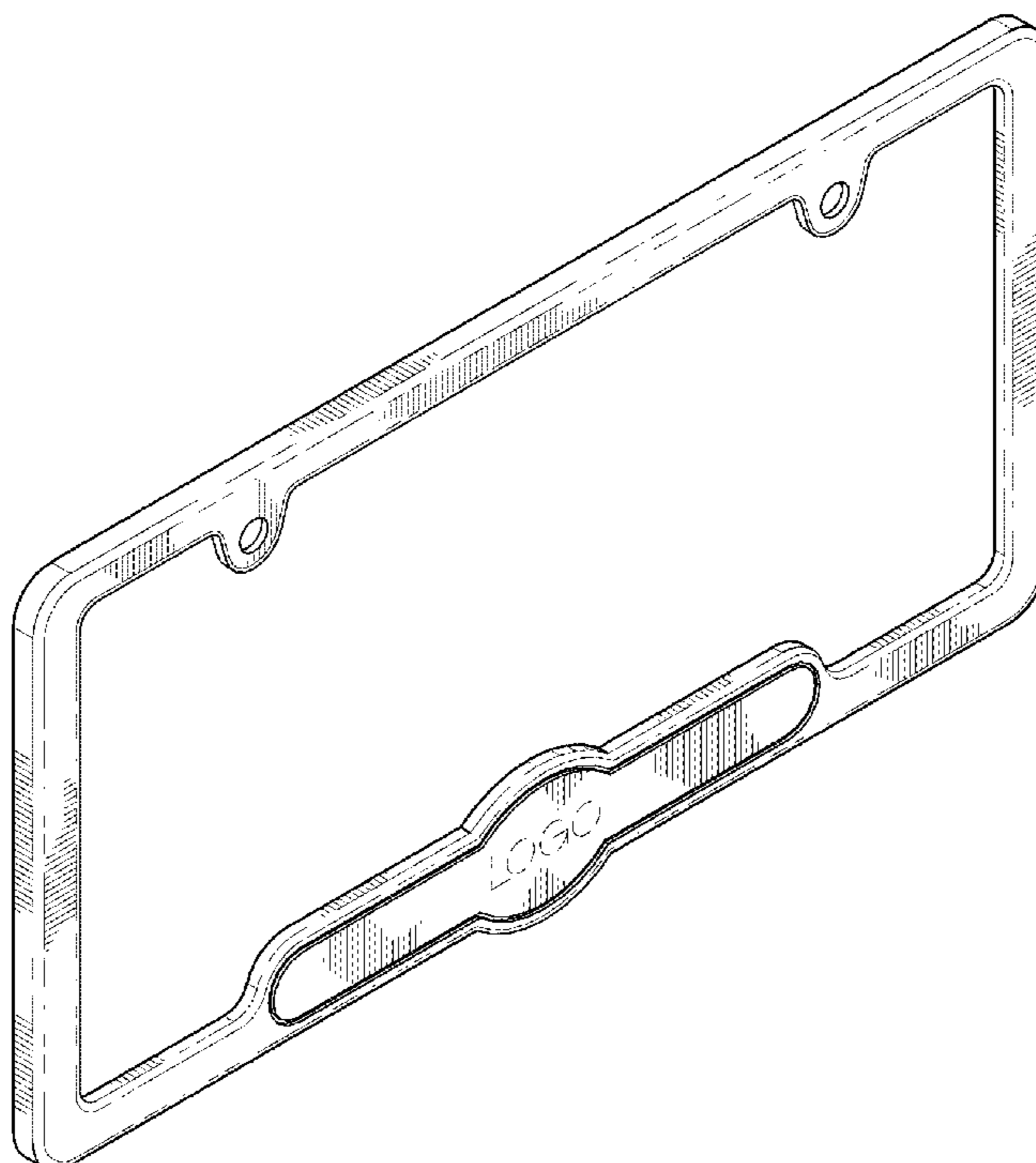
FIG. 1 is a top front left perspective view of a license plate frame;
 FIG. 2 is a top rear left perspective view thereof;
 FIG. 3 is a front elevation view thereof;
 FIG. 4 is a rear elevation view thereof;
 FIG. 5 is a top plan view thereof;
 FIG. 6 is a bottom plan view thereof;
 FIG. 7 is a left side elevation view thereof;
 FIG. 8 is a right side elevation view thereof; and,
 FIG. 9 is a top front left perspective view thereof, with the removable plate exploded off.
 The broken lines in the drawings illustrate portions of the license plate frame which form no part of the claimed design.

(56) **References Cited**

U.S. PATENT DOCUMENTS

- D96,198 S * 7/1935 Osbrink D12/193
- D102,729 S * 1/1937 Pemberton D12/187
- D159,314 S * 7/1950 Baumgartner D12/193
- D516,483 S * 3/2006 Eidsmore D12/193
- 7,350,323 B1 * 4/2008 Basos B60R 13/10
40/209
- D644,582 S * 9/2011 Palmer D12/193
- 8,281,508 B1 * 10/2012 Wiskow B60R 13/105
40/209

1 Claim, 7 Drawing Sheets



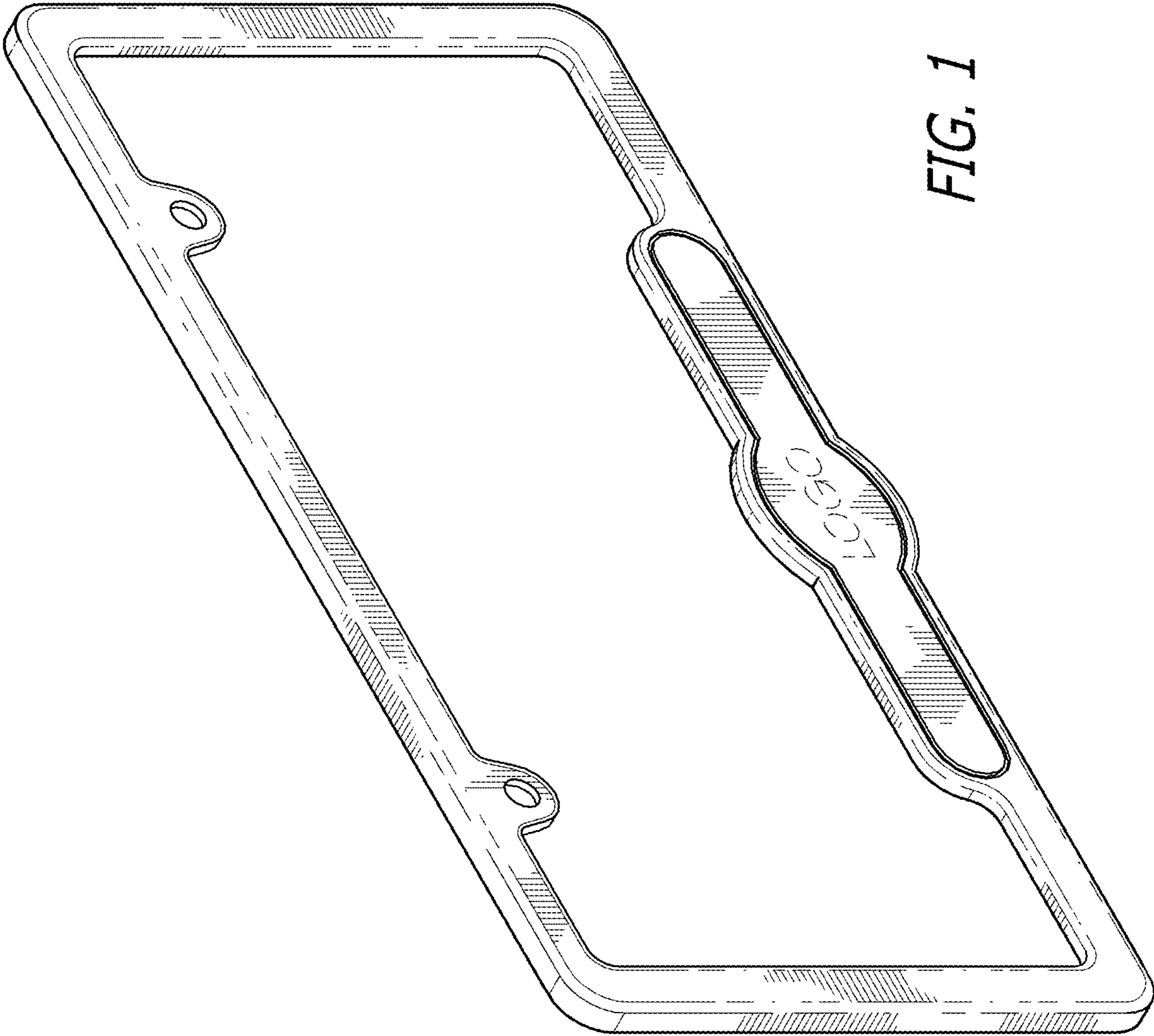


FIG. 1

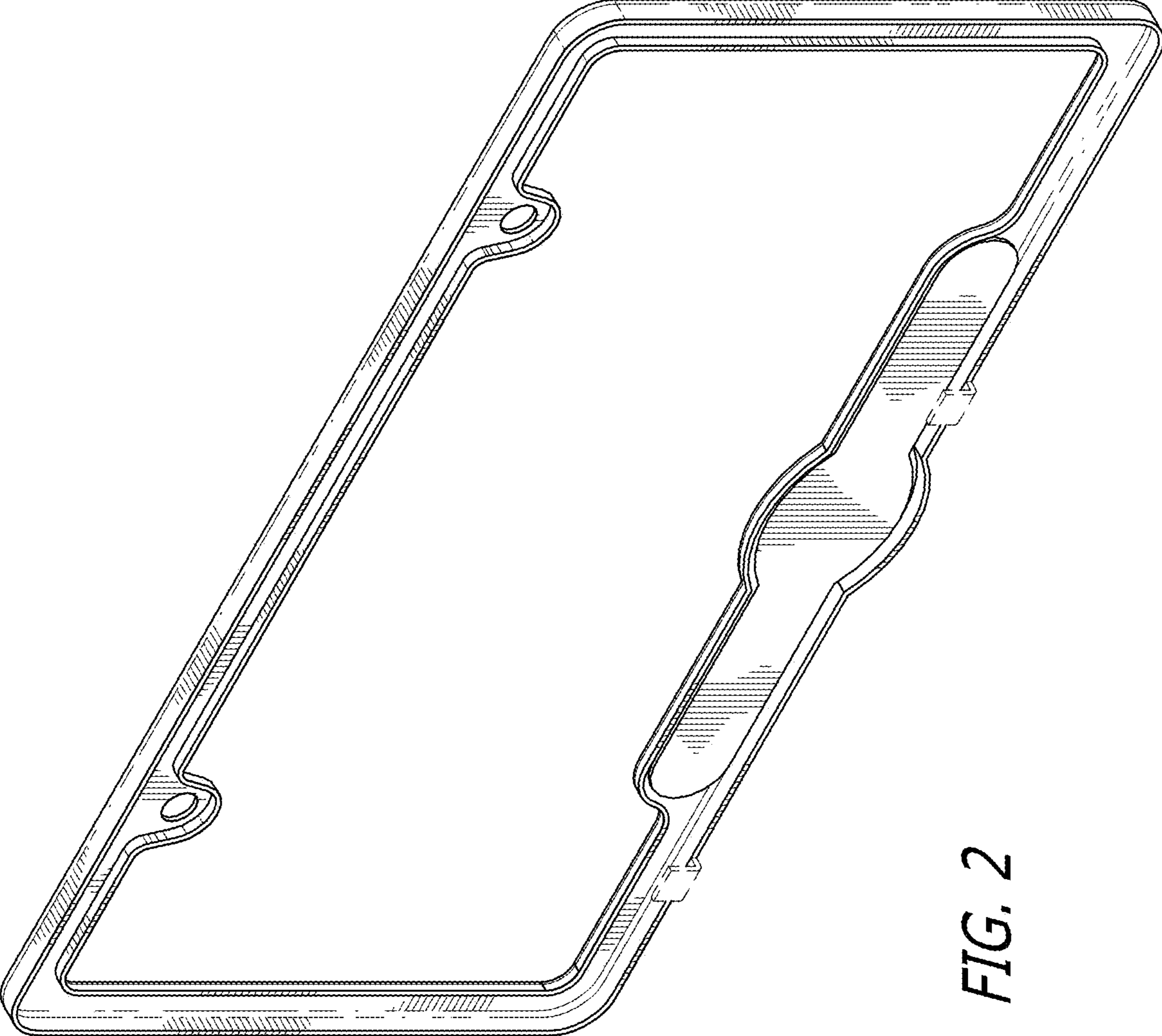


FIG. 2

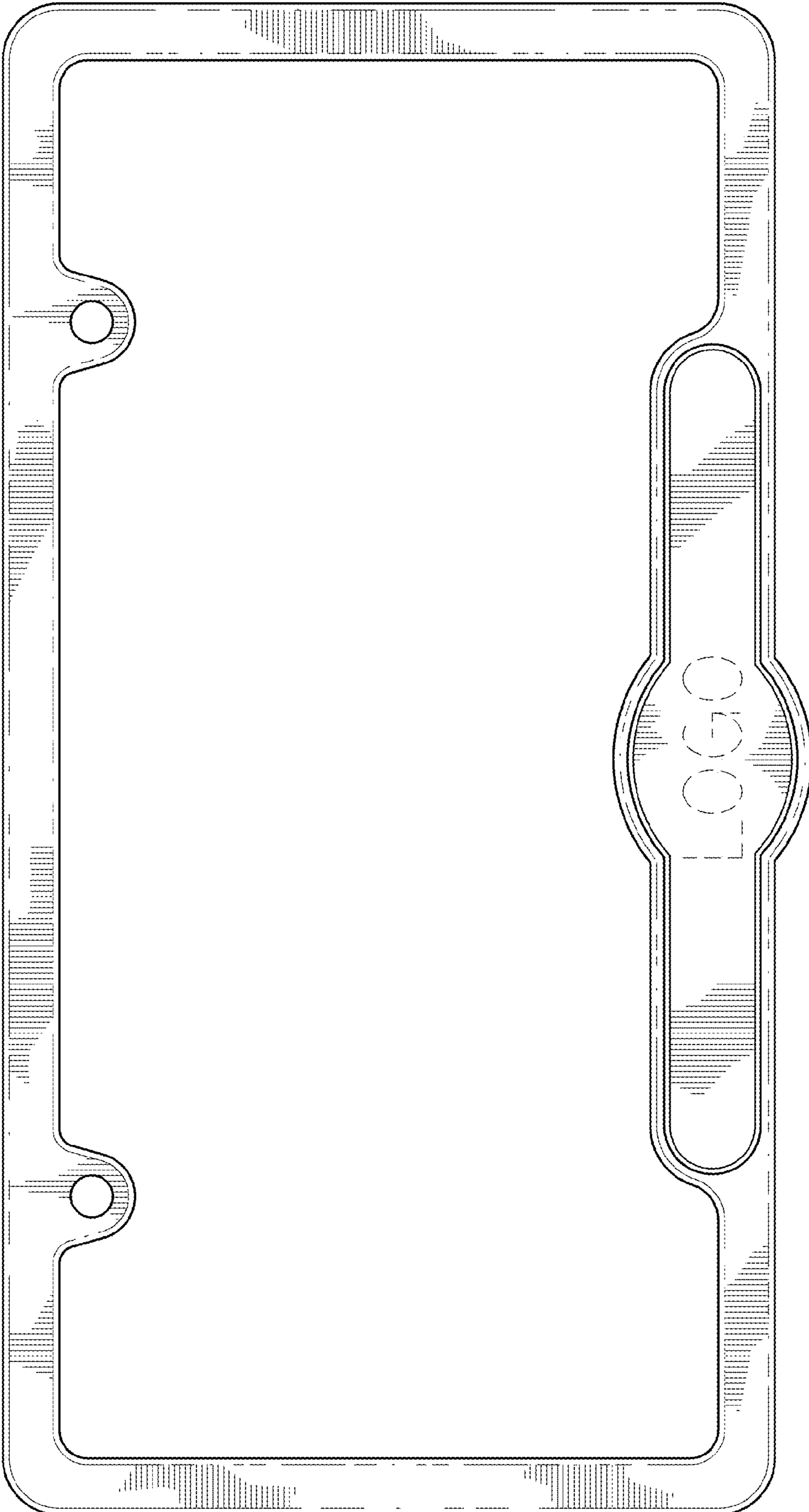


FIG. 3

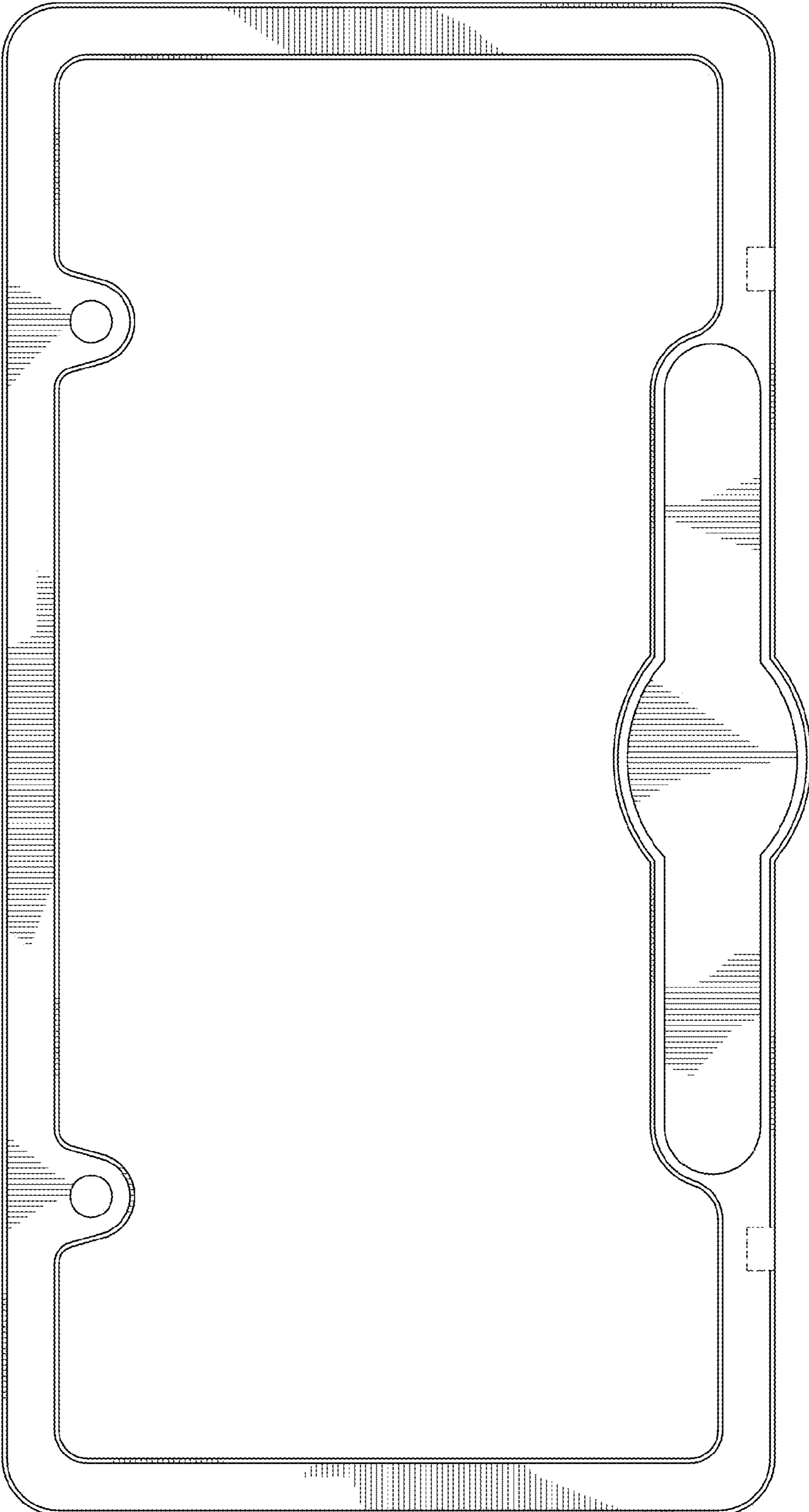


FIG. 4



FIG. 5

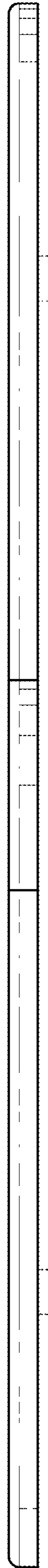


FIG. 6

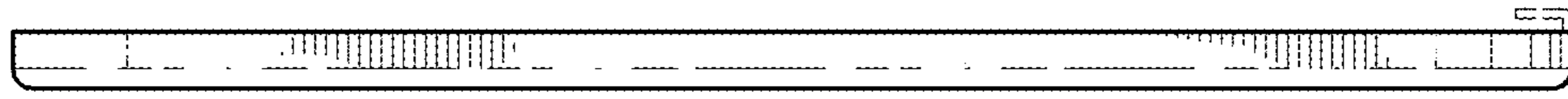


FIG. 8

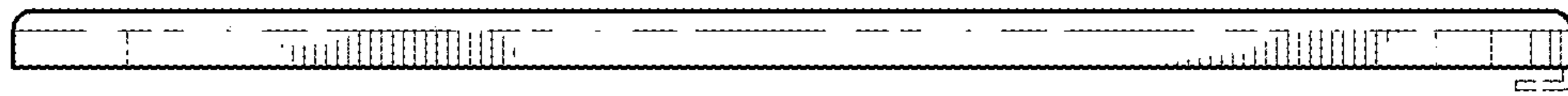


FIG. 7

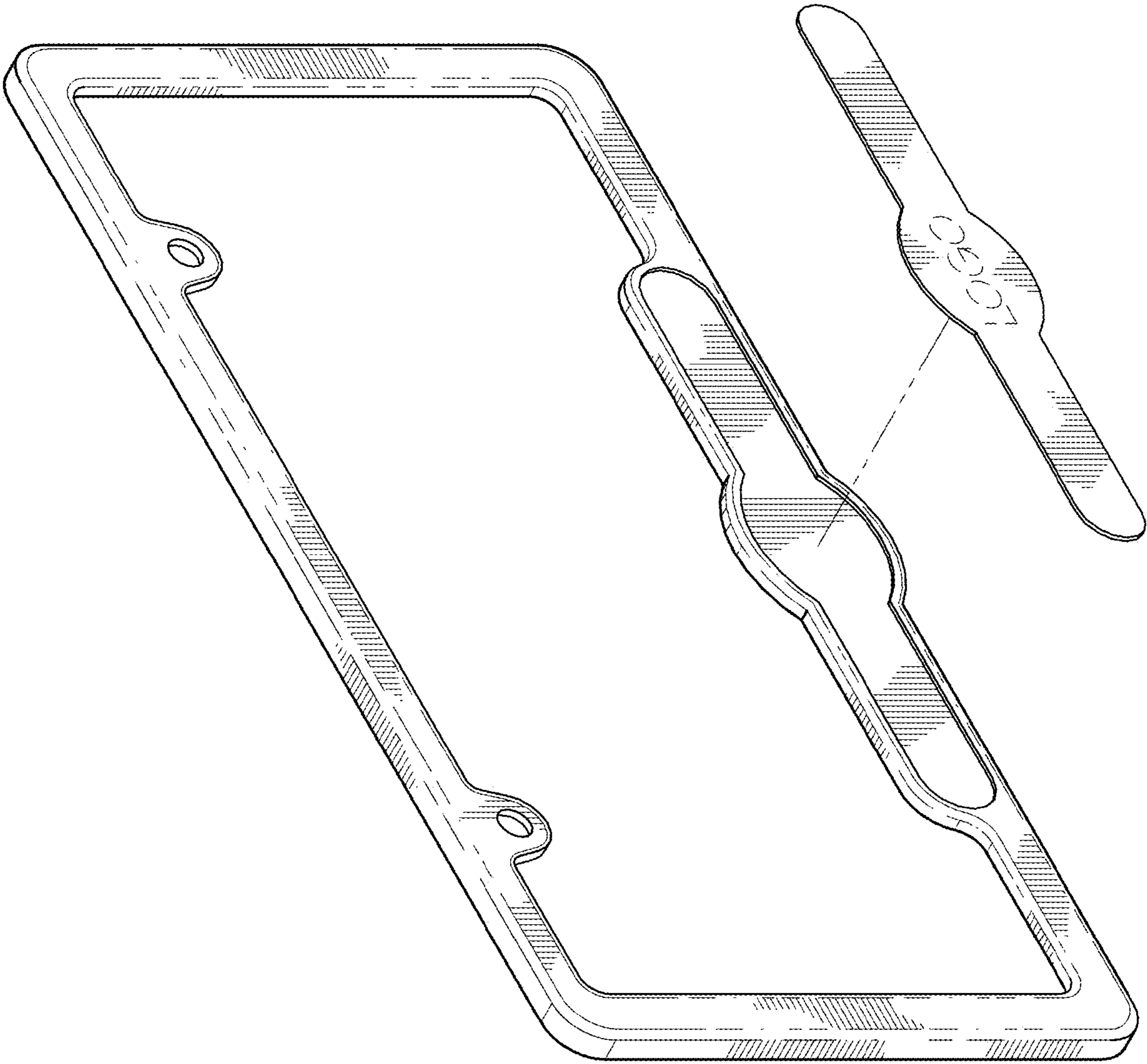


FIG. 9