



US00D956643S

(12) **United States Design Patent**  
**Kim et al.**

(10) **Patent No.:** **US D956,643 S**

(45) **Date of Patent:** **\*\* Jul. 5, 2022**

(54) **DISPLAY PANEL FOR AUTOMOBILE**

(71) Applicant: **LG ELECTRONICS INC.**, Seoul (KR)

(72) Inventors: **Byungkyu Kim**, Seoul (KR); **Hansoo Kim**, Seoul (KR); **Inkoo Shim**, Seoul (KR); **Seunghwan Song**, Seoul (KR); **Jinhee Kim**, Seoul (KR)

(73) Assignee: **LG ELECTRONICS INC.**, Seoul (KR)

(\*\*) Term: **15 Years**

(21) Appl. No.: **29/744,114**

(22) Filed: **Jul. 27, 2020**

(30) **Foreign Application Priority Data**

Feb. 14, 2020 (KR) ..... 30-2020-0006708

(51) **LOC (13) Cl.** ..... **12-16**

(52) **U.S. Cl.**  
USPC ..... **D12/192**

(58) **Field of Classification Search**  
USPC ..... D14/356, 357, 358, 258, 126, 129, 336,  
D14/371, 388, 389, 314; D19/113, 114;  
D10/60, 61, 62, 65, 70, 74, 103;  
D12/192, 415, 114, 345, 190  
CPC .... G01C 21/30; G01C 21/16; G01C 21/3688;  
G01C 21/3679; G01C 21/3694; G01C  
21/3697; G01S 17/931  
See application file for complete search history.

(56) **References Cited**

**U.S. PATENT DOCUMENTS**

D778,796 S \* 2/2017 Gommier ..... D12/192  
D786,758 S \* 5/2017 Chang ..... D12/192

D837,118 S \* 1/2019 Takada ..... D12/192  
D847,057 S \* 4/2019 Kono ..... D12/192  
D863,167 S \* 10/2019 Moir ..... D12/192  
D884,569 S \* 5/2020 Roo-Clefas ..... D12/192  
D899,985 S \* 10/2020 Choi ..... D12/192  
D902,101 S \* 11/2020 Jacob ..... D12/192  
D906,206 S \* 12/2020 Choi ..... D12/192  
D908,075 S \* 1/2021 Park ..... D12/415  
D909,940 S \* 2/2021 Roo-Clefas ..... D12/192  
D926,096 S \* 7/2021 Trabucco ..... D12/192

\* cited by examiner

*Primary Examiner* — Susan E Krakower

*Assistant Examiner* — Jerry Shiuan-Hua Hsu

(74) *Attorney, Agent, or Firm* — Birch, Stewart, Kolasch & Birch, LLP

(57) **CLAIM**

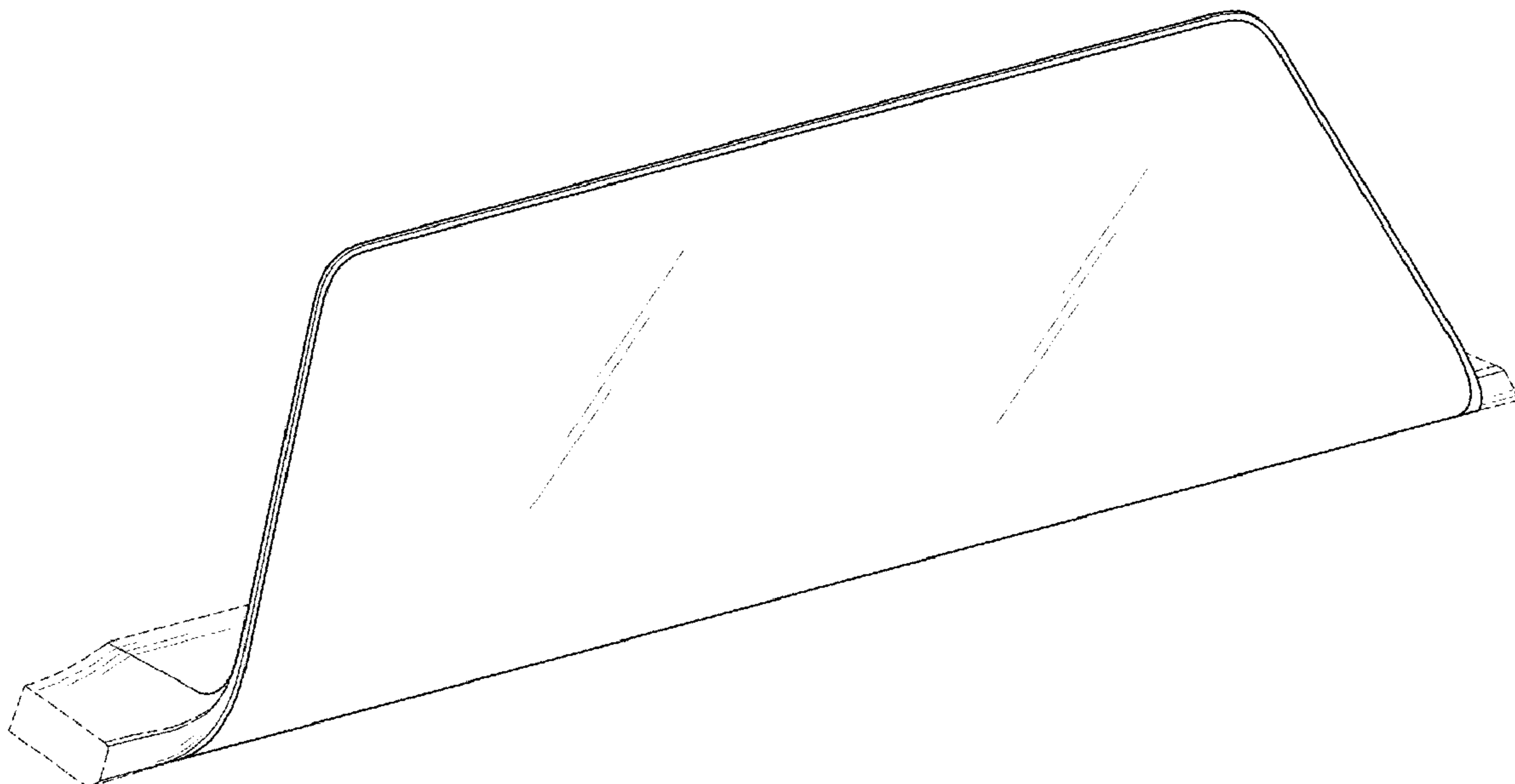
We claim the ornamental design for a display panel for automobile, as shown and described.

**DESCRIPTION**

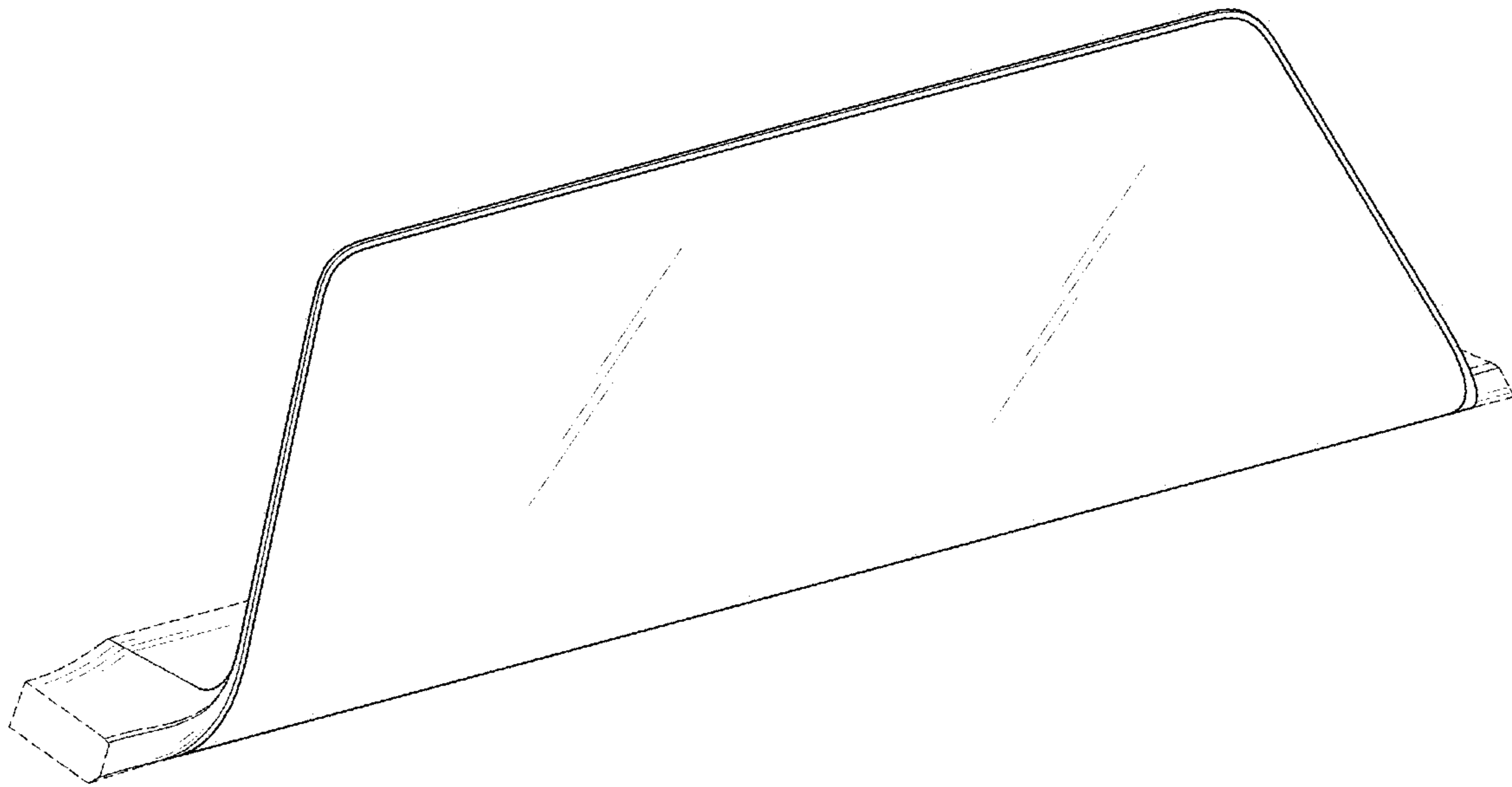
FIG. 1 is a top, front, left perspective view of a display panel for automobile showing the new design; FIG. 2 is a front elevation view thereof; FIG. 3 is a rear elevation view thereof; FIG. 4 is a left-side elevation view thereof; FIG. 5 is a right-side elevation view thereof; FIG. 6 is a top plan view thereof; FIG. 7 is a bottom plan view thereof; and, FIG. 8 is a top, front, left perspective view thereof, shown in a state of use.

The broken lines in FIGS. 1-7 depict portions of the display panel for automobile that form no part of the claimed design. The broken lines in FIG. 8 illustrate environmental structure that forms no part of the claimed design.

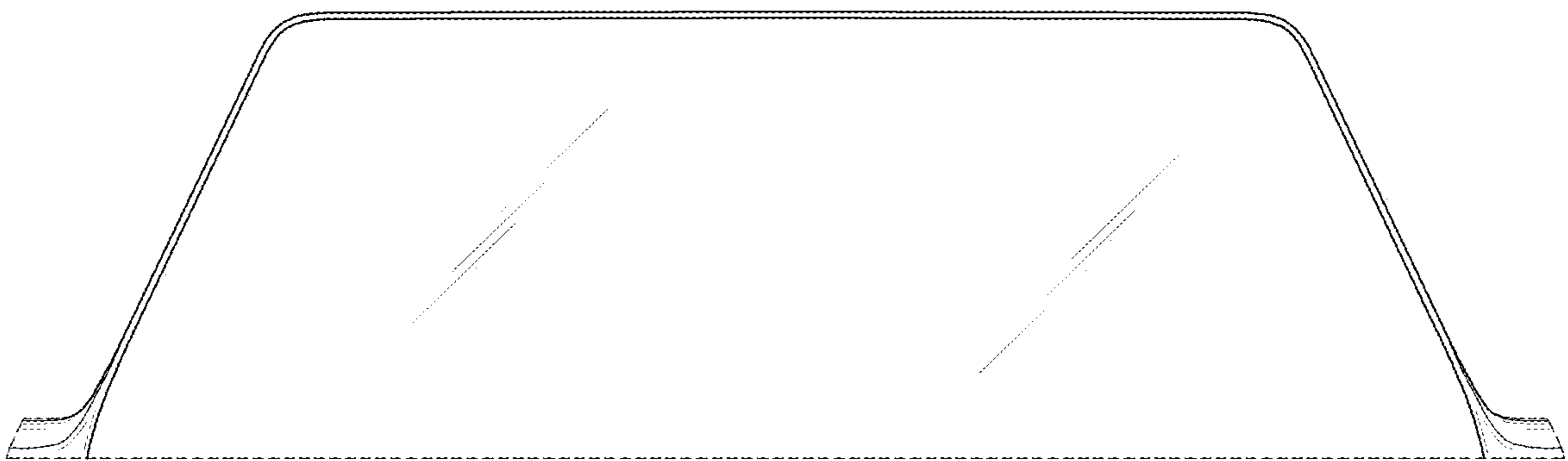
**1 Claim, 8 Drawing Sheets**



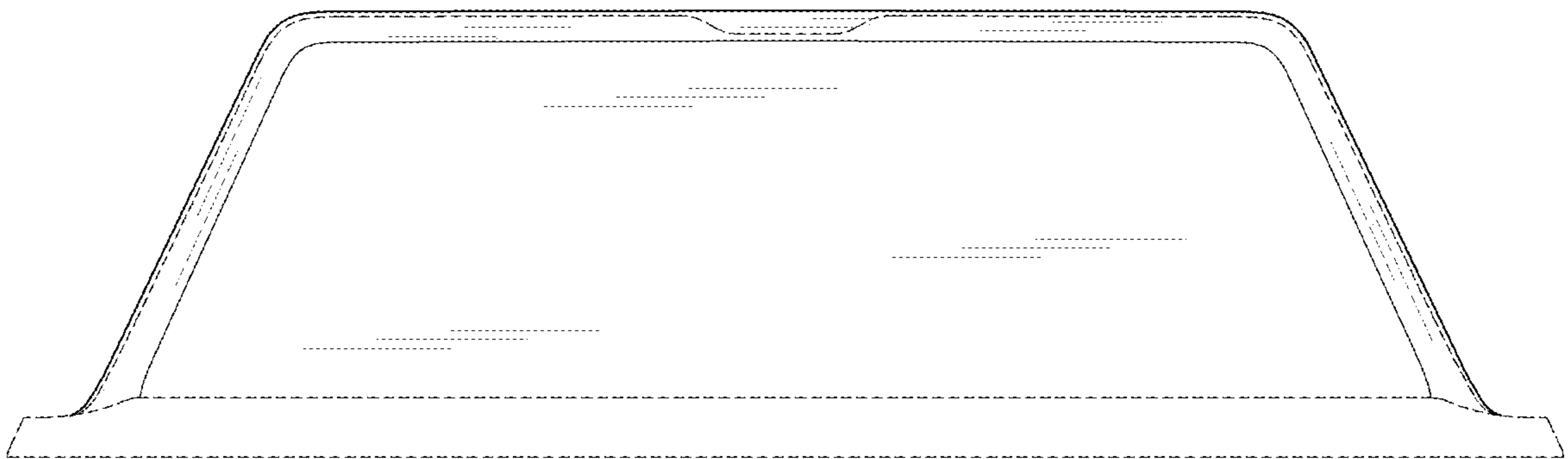
*FIG. 1*



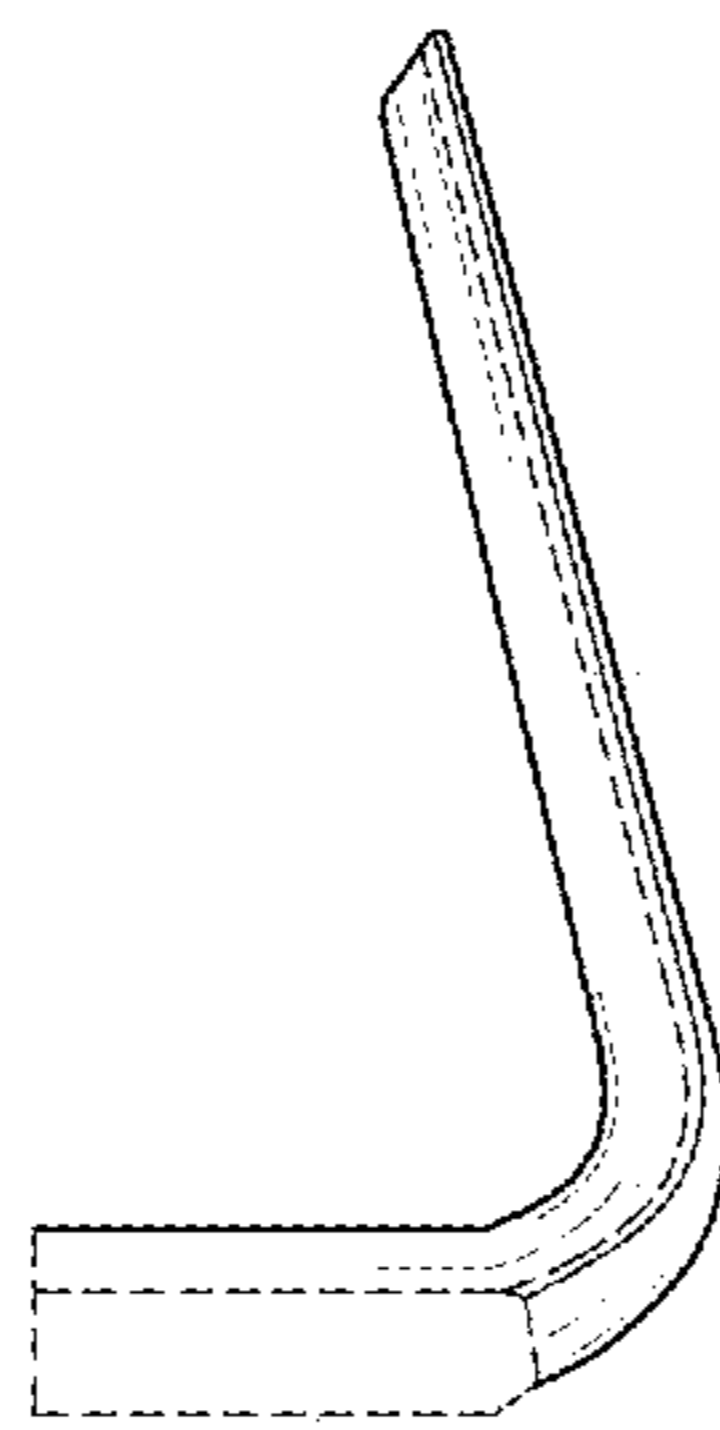
*FIG. 2*



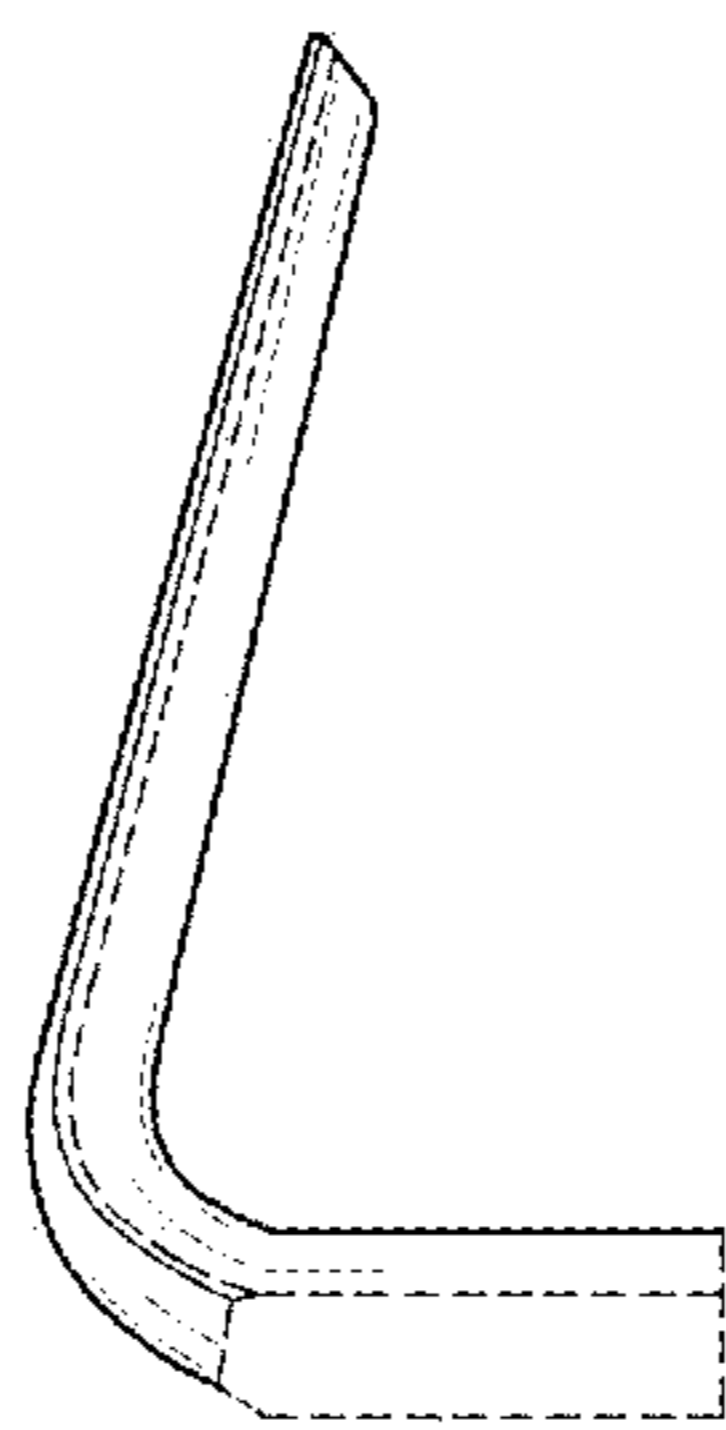
*FIG. 3*



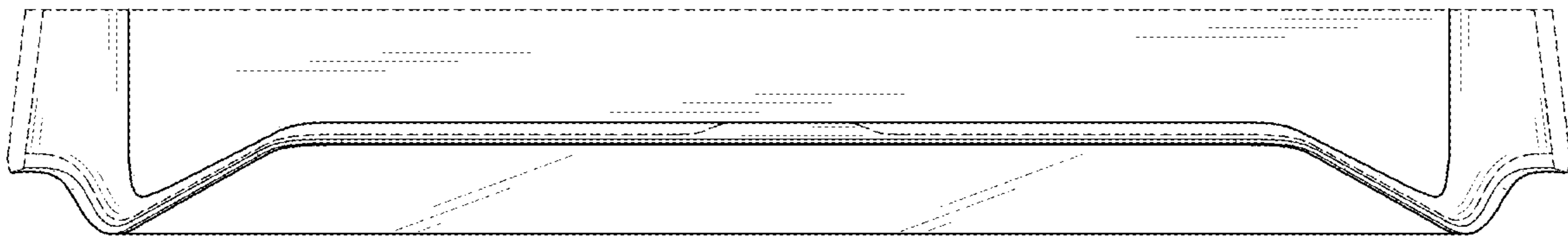
*FIG. 4*



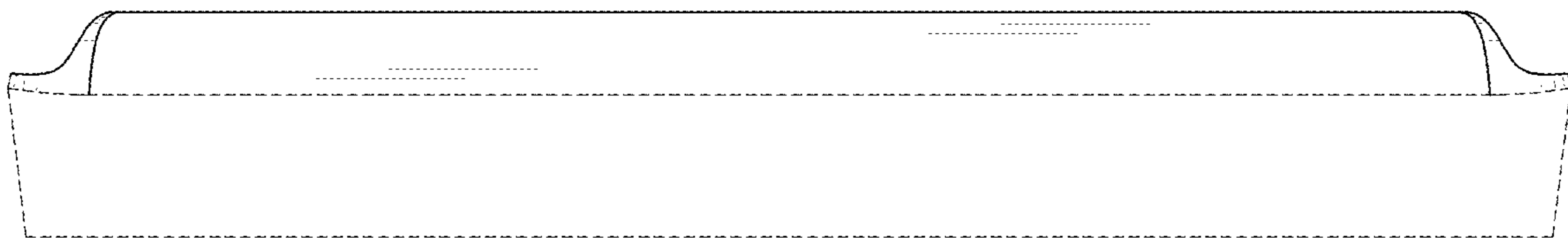
*FIG. 5*



*FIG. 6*



*FIG. 7*





*FIG. 8*

