



US00D956642S

(12) **United States Design Patent** (10) **Patent No.:** **US D956,642 S**
Juergens et al. (45) **Date of Patent:** **** Jul. 5, 2022**

(54) **WHEEL TRIM FOR A VEHICLE**
(71) Applicant: **Bayerische Motoren Werke Aktiengesellschaft, Munich (DE)**
(72) Inventors: **Dirk Juergens, Munich (DE); Rainer Mueller, Munich (DE)**
(73) Assignee: **Bayerische Motoren Werke Aktiengesellschaft, Munich (DE)**
(**) Term: **15 Years**
(21) Appl. No.: **29/750,709**
(22) Filed: **Sep. 16, 2020**
(30) **Foreign Application Priority Data**
Mar. 17, 2020 (DE) 40 2020 100 272.0
(51) **LOC (13) Cl.** **12-16**
(52) **U.S. Cl.**
USPC **D12/190**
(58) **Field of Classification Search**
USPC D12/400, 90, 91, 92, 196-200, 171, 172, D12/110, 114, 190, 181, 184, 175, 176, D12/177
CPC B60R 13/043; B60R 13/02; B60R 13/04; B60R 21/203; B60R 21/05; B62D 1/04
See application file for complete search history.

D895,497 S * 9/2020 Heinemann D12/190
D896,143 S * 9/2020 Heinemann D12/190
D920,867 S * 6/2021 Bennett D12/184
D925,417 S * 7/2021 Hamada D12/176
D926,650 S * 8/2021 Mito D12/176
D929,914 S * 9/2021 Jesus D12/176
D930,537 S * 9/2021 Preyss D12/190
D935,963 S * 11/2021 Hamada D12/176

FOREIGN PATENT DOCUMENTS

EM 003752161-0002 8/2019
WO WO DM/206960 9/2020

* cited by examiner

Primary Examiner — Susan E Krakower
Assistant Examiner — Jerry Shiuan-Hua Hsu
(74) *Attorney, Agent, or Firm* — Crowell & Moring LLP

(57) **CLAIM**

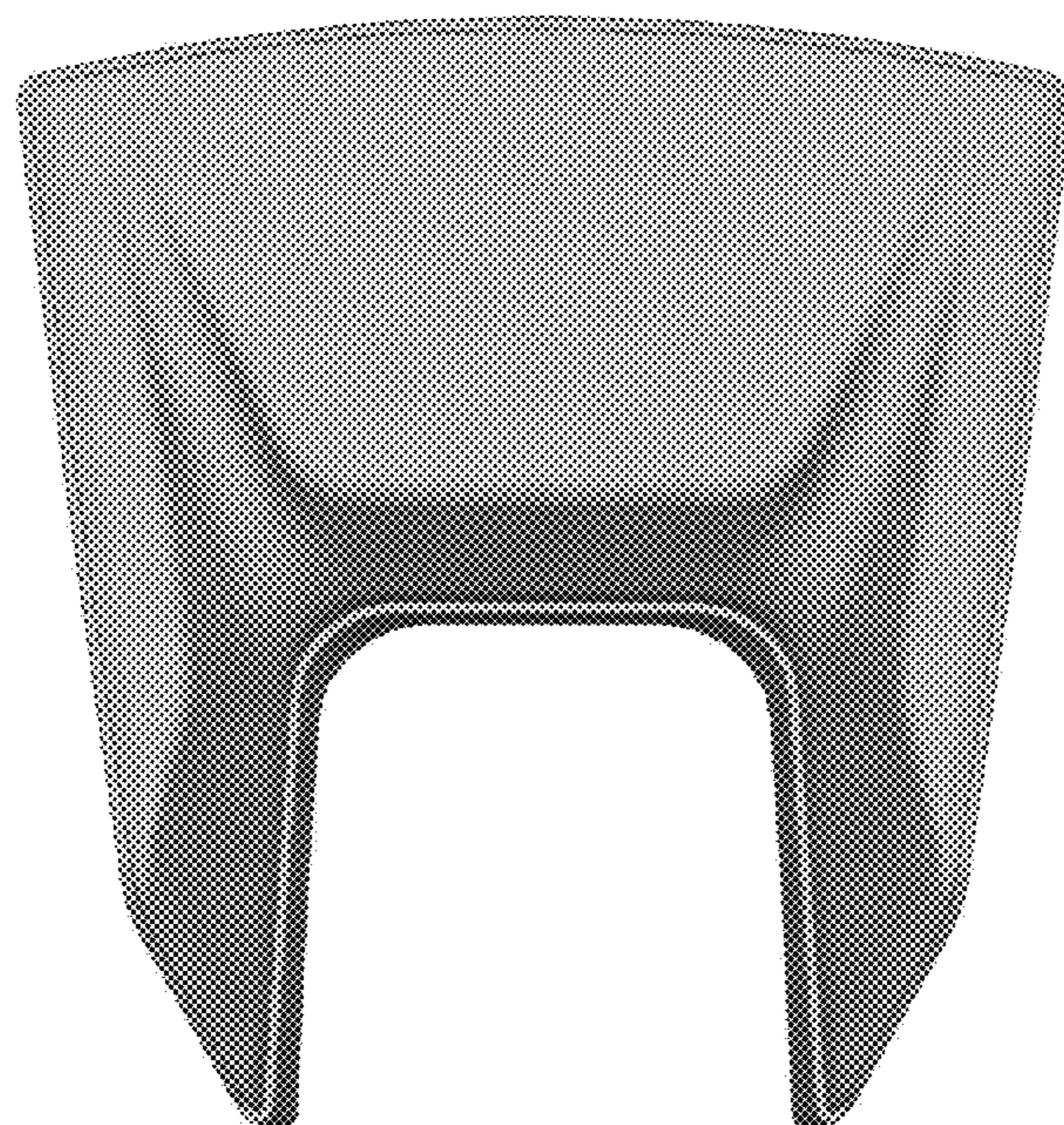
The ornamental design for a wheel trim for a vehicle, as shown and described.

DESCRIPTION

This application contains subject matter related to the following co-pending U.S. design patent application: Application Ser. No. 29/727,438, filed Mar. 11, 2020 and entitled "Wheel Trim for a Vehicle."
FIG. 1 is a front view of a wheel trim for a vehicle according to the design;
FIG. 2 is a right, top perspective view thereof;
FIG. 3 is a left, bottom perspective view thereof;
FIG. 4 is a left side view thereof;
FIG. 5 is a right side view thereof;
FIG. 6 is a top view thereof;
FIG. 7 is a bottom view thereof; and,
FIG. 8 is a rear view thereof.

1 Claim, 8 Drawing Sheets

(56) **References Cited**
U.S. PATENT DOCUMENTS
D750,542 S * 3/2016 Asahi D12/190
D751,960 S * 3/2016 Fontaeus D12/190
D855,517 S * 8/2019 Hwang D12/176
D865,601 S * 11/2019 Goodrich D12/190
D865,602 S * 11/2019 Goodrich D12/190
D875,000 S * 2/2020 Watola D12/176



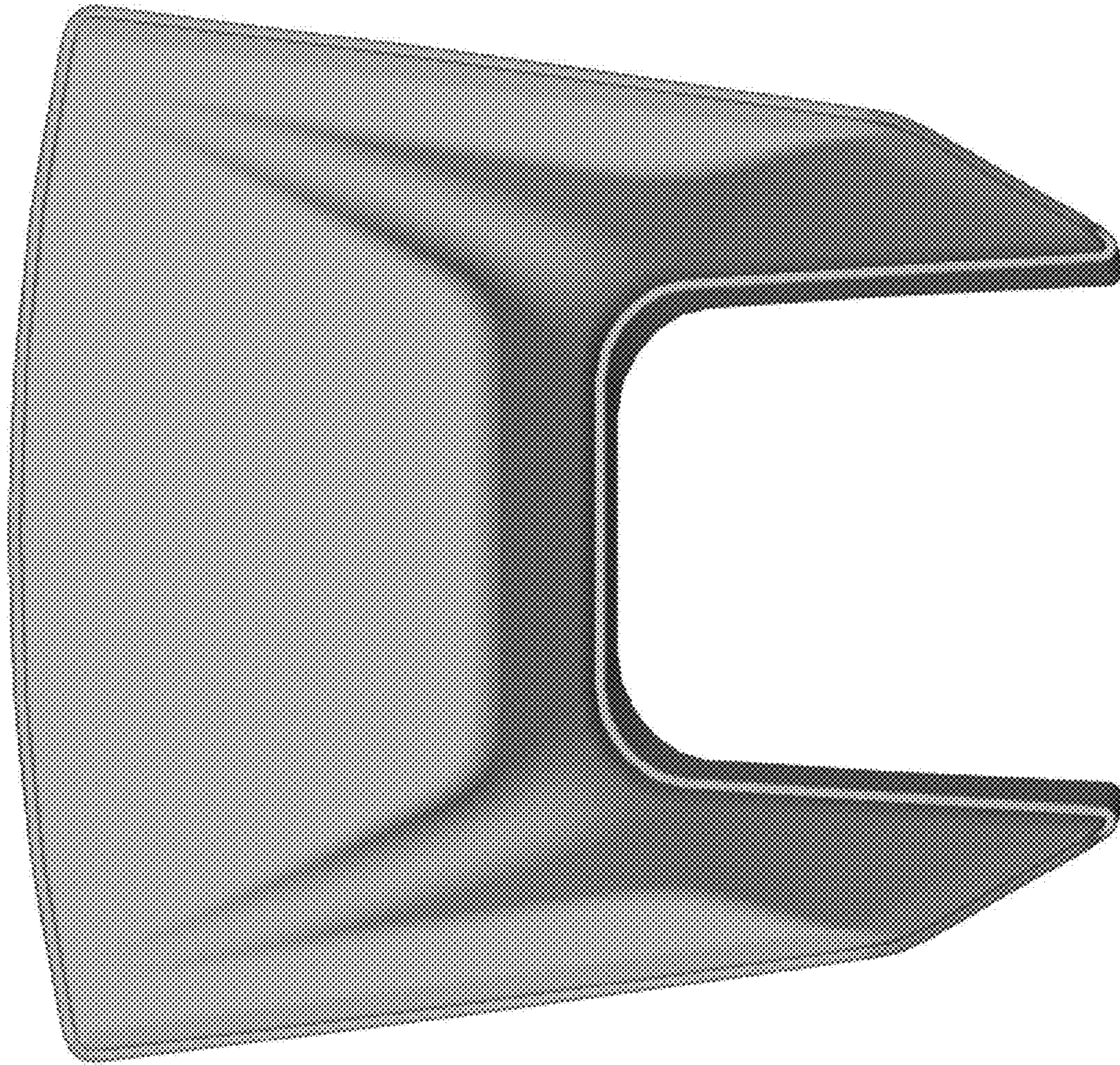


Fig. 1

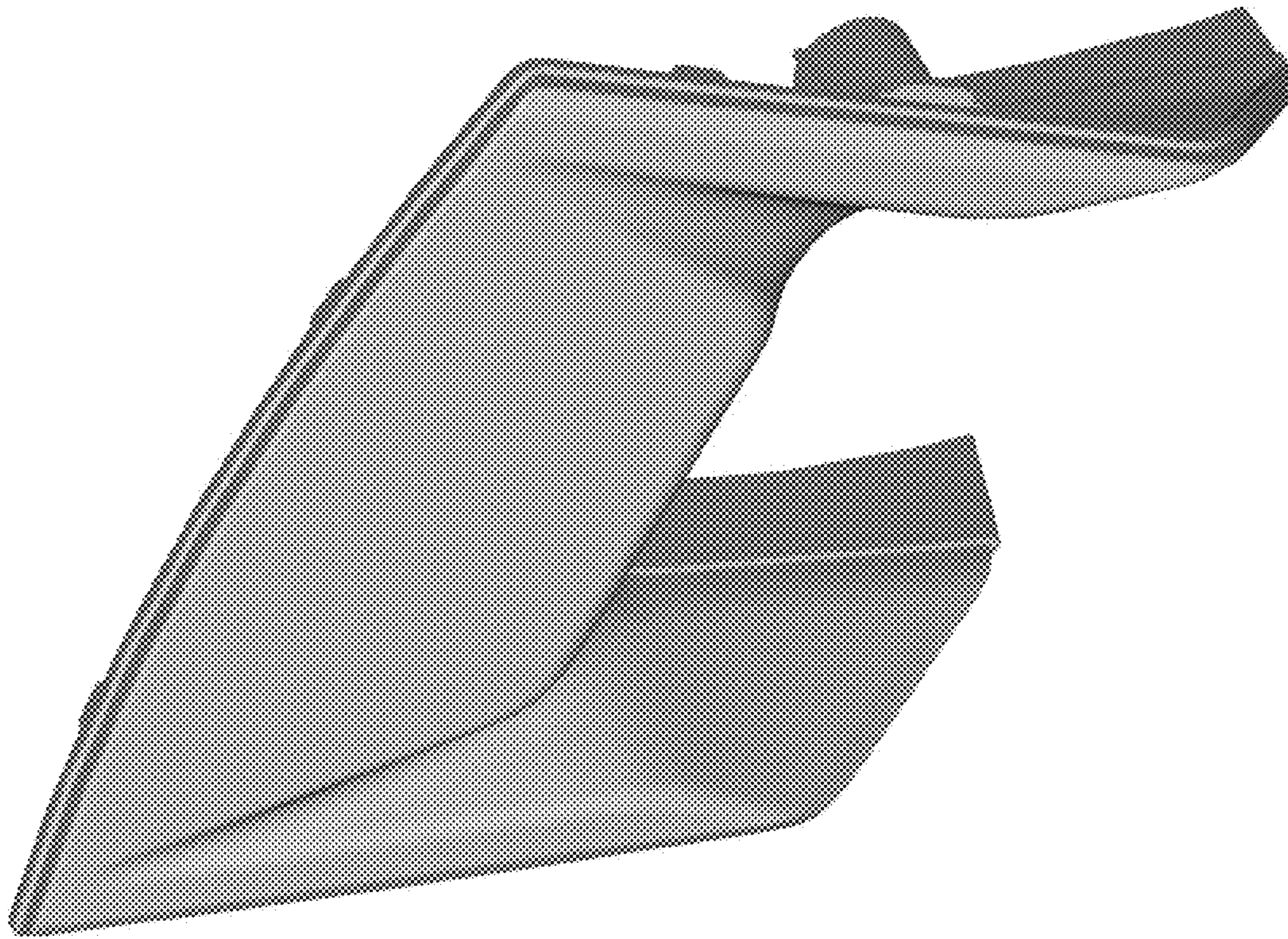


Fig. 2

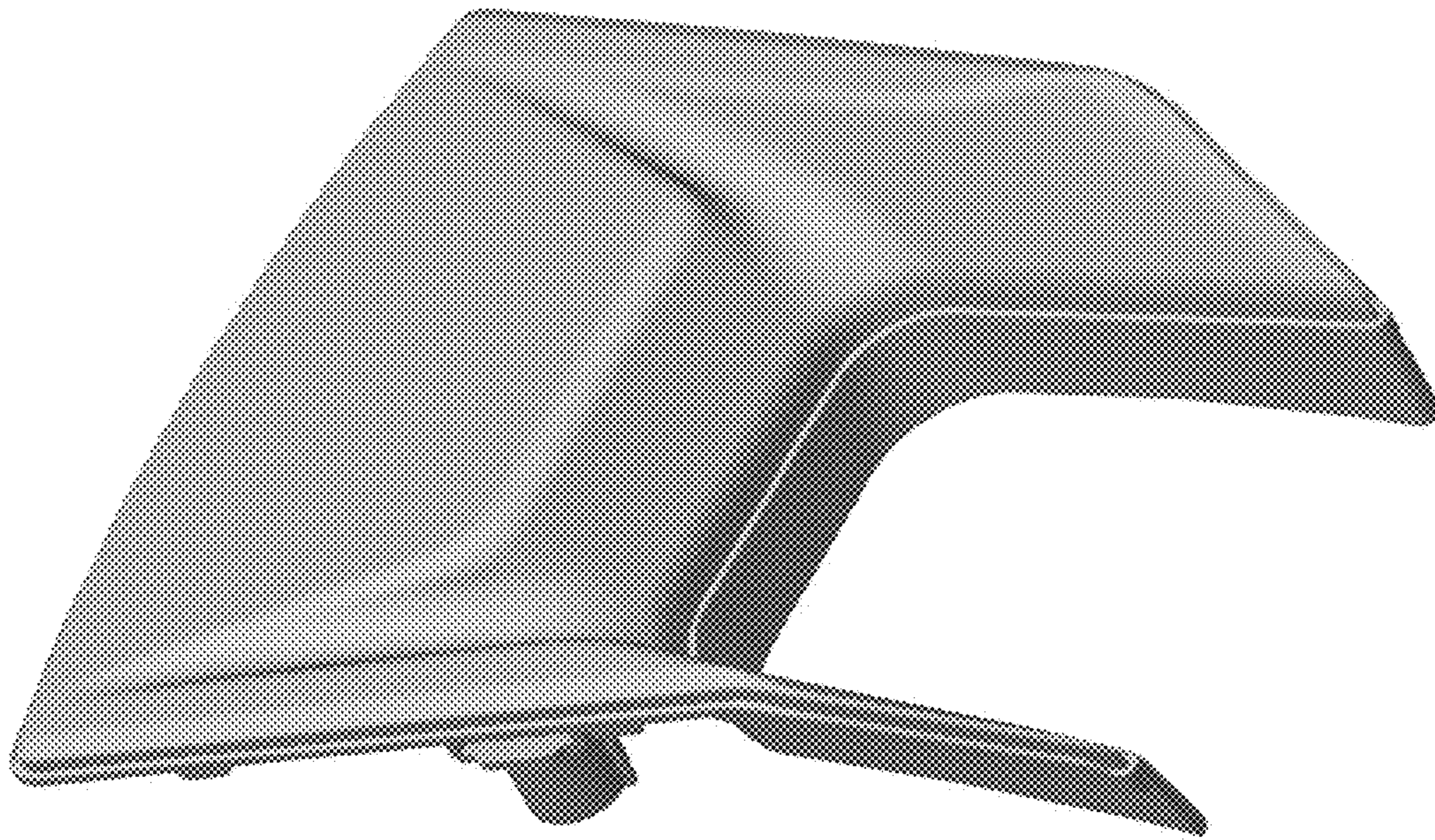


Fig. 3

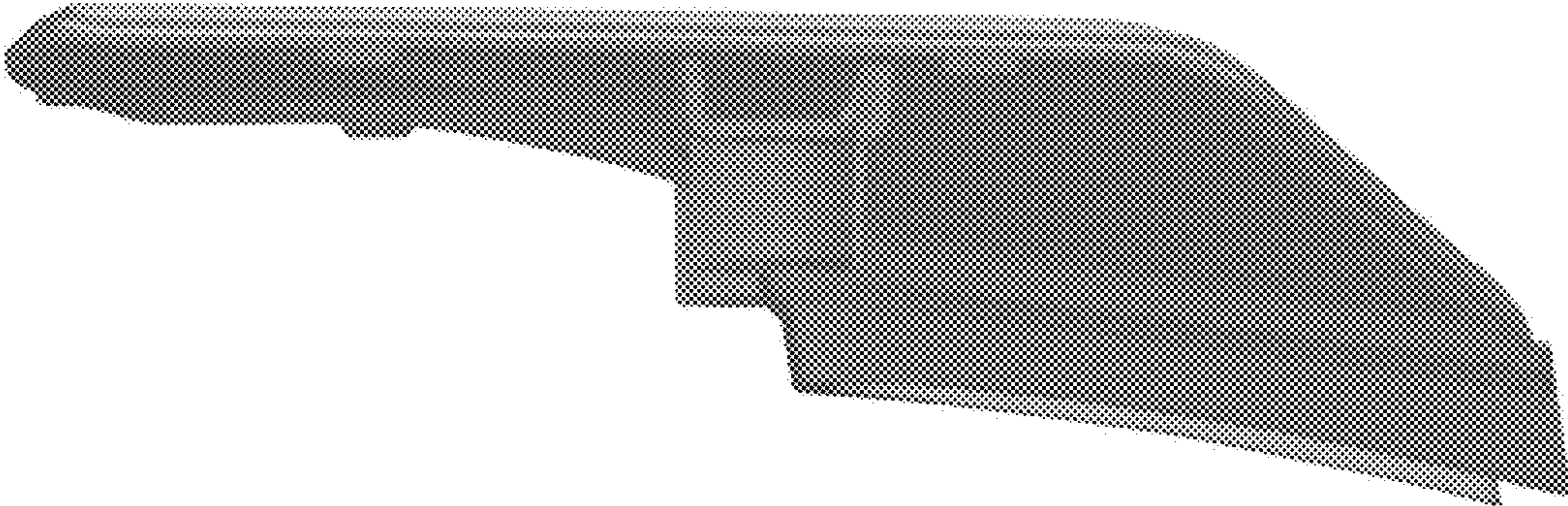


Fig. 4

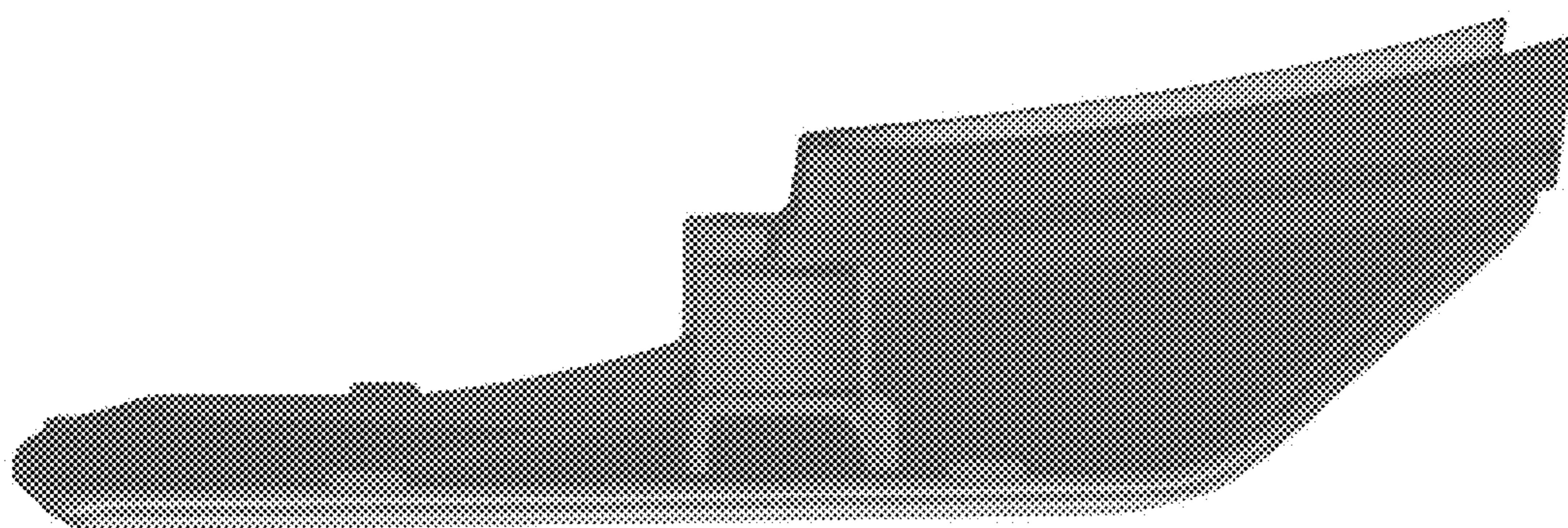


Fig. 5

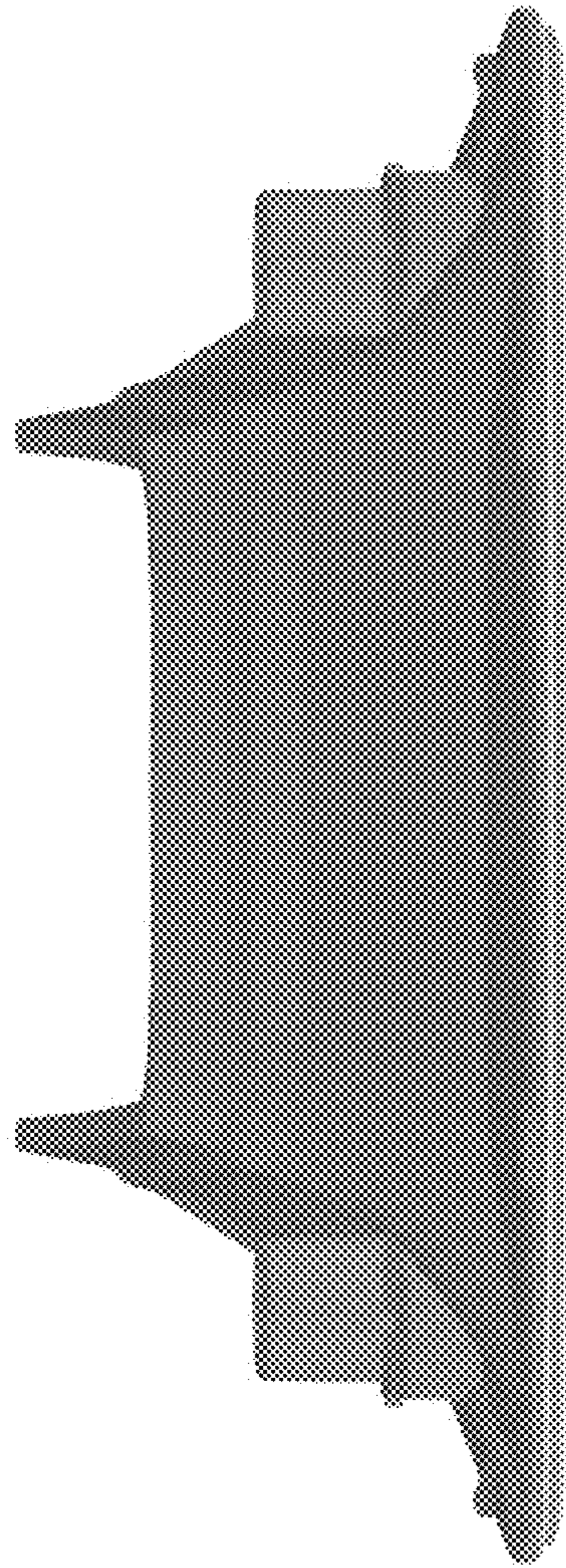


Fig. 6

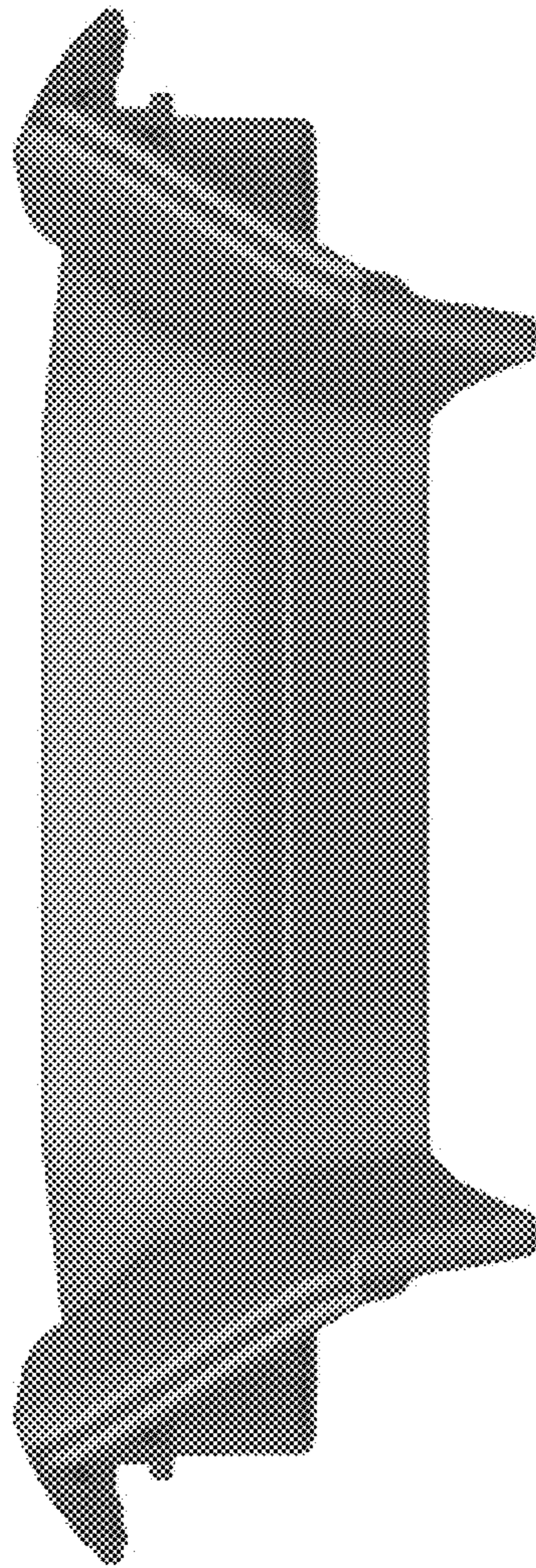


Fig. 7

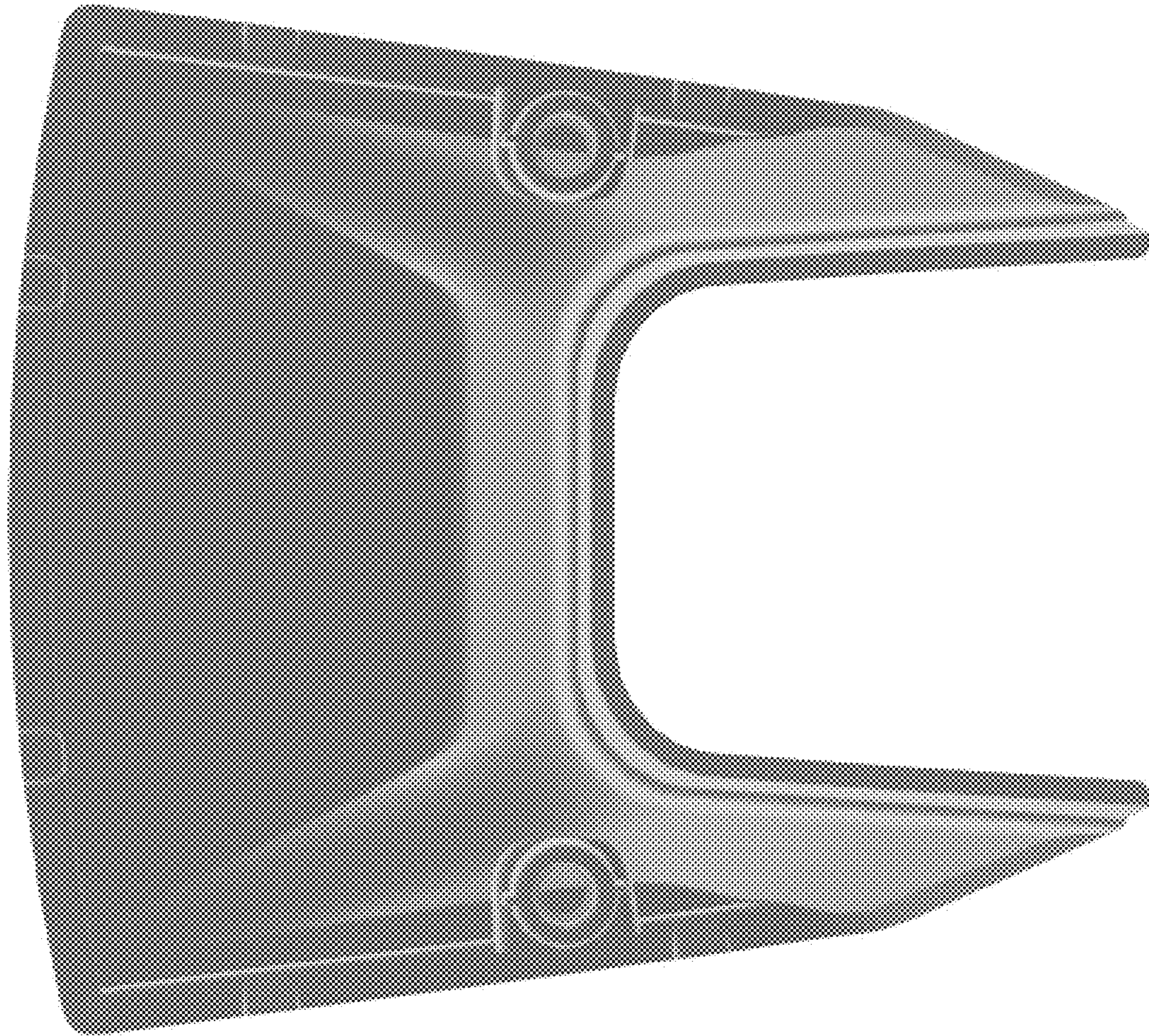


Fig. 8